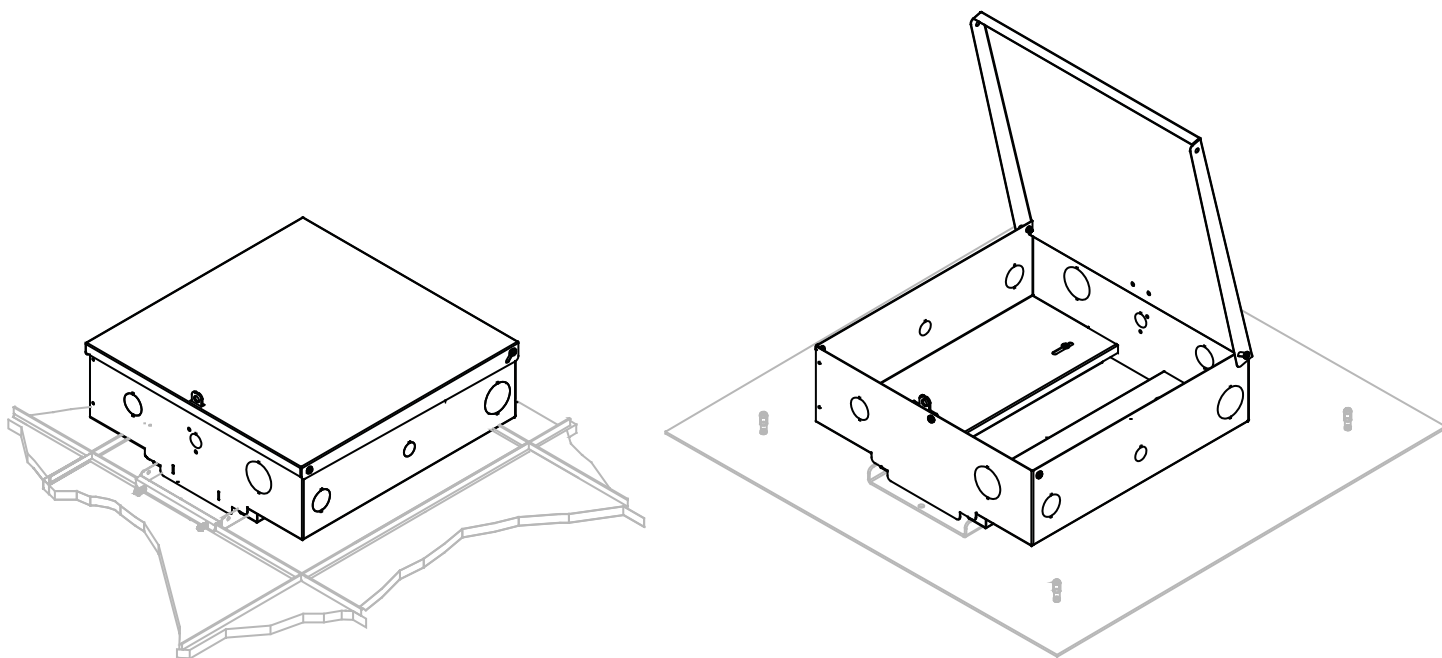


## INSTALLATION INSTRUCTIONS



### **GB-PLN1**

Equipment Enclosure for Plenum Ceilings

---

#### **NORTH AMERICA**

3130 East Miraloma Avenue  
Anaheim, CA 92806 USA  
USA and Canada –  
Phone: 800-368-9700  
Fax: 800-832-4888

#### **EUROPE**

Swallow House,  
Shilton Industrial Estate,  
Shilton, Coventry, England CV79JY  
Phone: +44 (0) 2476 614700  
Fax: +44 (0) 2476 614710

#### **AUSTRALIA, NEW ZEALAND, OCEANIA (DISTRIBUTOR)**

P.O. Box 295  
Mordialloc Victoria 3195  
Australia  
Phone: 039586 6330  
[www.premiermounts.com.au](http://www.premiermounts.com.au)


Other Locations – Phone: (001)-714-632-7100; Fax: (001)-714-632-1044  
©Premier Mounts 2008  
9534-003-003-00





## Table of Contents

Warning Statements.....	2
Parts List.....	3
Installation Tools.....	3
GB-PLN1 Installation with PP-FCTA .....	4
GB-PLN1 Installation with PP-FCMA .....	7
Technical Specifications .....	9
Warranty .....	10


### Warning Statements

 PRIOR TO THE INSTALLATION OF THIS PRODUCT, THE INSTALLATION INSTRUCTIONS SHOULD BE READ AND COMPLETELY UNDERSTOOD. THE INSTALLATION INSTRUCTIONS MUST BE READ TO PREVENT PERSONAL INJURY AND PROPERTY DAMAGE. KEEP THESE INSTALLATION INSTRUCTIONS IN AN EASILY ACCESSIBLE LOCATION FOR FUTURE REFERENCE.


 PREMIER MOUNTS DOES NOT WARRANT AGAINST DAMAGE CAUSED BY THE USE OF ANY PREMIER MOUNTS PRODUCT FOR PURPOSES OTHER THAN THOSE FOR WHICH IT WAS DESIGNED OR DAMAGE CAUSED BY UNAUTHORIZED ATTACHMENTS OR MODIFICATIONS, AND IS NOT RESPONSIBLE FOR ANY DAMAGES, CLAIMS, DEMANDS, SUITS, ACTIONS OR CAUSES OF ACTION OF WHATEVER KIND RESULTING FROM, ARISING OUT OF OR IN ANY MANNER RELATING TO ANY SUCH USE, ATTACHMENTS OR MODIFICATIONS.

 THE SURFACE MUST BE CAPABLE OF SUPPORTING AT LEAST FIVE TIMES THE WEIGHT OF THE BOX. IF NOT, THE CEILING STRUCTURE MUST BE REINFORCED. THE MAXIMUM WEIGHT THAT CAN BE USED WITH THIS PRODUCT IS 25LBS. PROPER INSTALLATION PROCEDURE BY A QUALIFIED SERVICE TECHNICIAN, AS OUTLINED IN THE INSTALLATION INSTRUCTIONS, MUST BE ADHERED TO. FAILURE TO DO SO COULD RESULT IN SERIOUS PERSONAL INJURY, OR EVEN DEATH.

 SAFETY MEASURES MUST BE PRACTICED AT ALL TIMES DURING THE ASSEMBLY OF THIS PRODUCT. USE PROPER SAFETY GEAR AND TOOLS FOR THE ASSEMBLY PROCEDURE TO PREVENT PERSONAL INJURY.

 At least two qualified people should perform the assembly procedure. Injury and/or damage can result from dropping or mishandling the product.

 This product is intended for indoor use only. Use of this product outdoors could lead to product failure and personal injury.

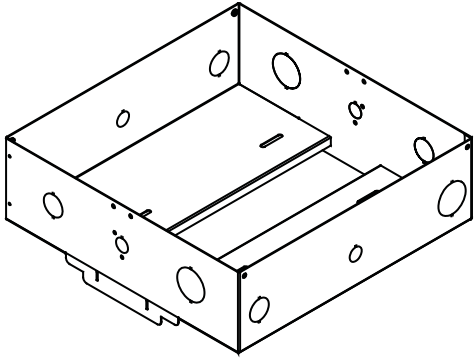
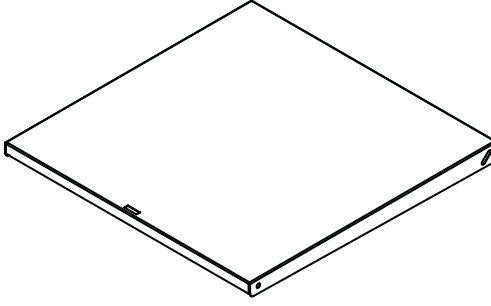
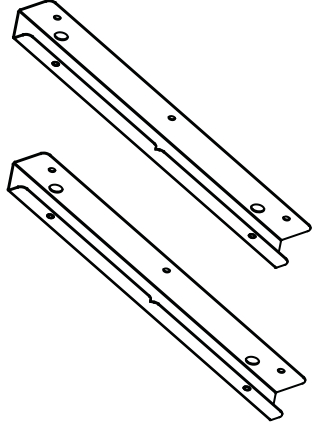
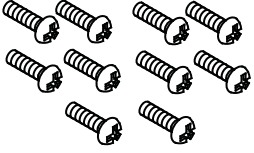
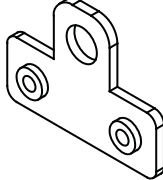
 Do not install near sources of high heat. Do not install on a structure that is prone to vibration, movement or chance of impact

 Contact Premier Mounts with any questions  
(800) 368-9700  
techsupport@mounts.com

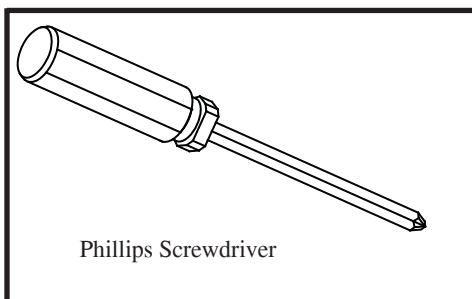
## Parts List



This accessory is shipped with all proper installation hardware and components. Make sure that none of these parts are missing and/or damaged before beginning installation. If there are parts missing and/or damaged, please stop the installation and contact Premier Mounts (800-368-9700).

 <p>GB-PLEN1 (Qty 1)</p>	 <p>Cover Lid (Qty 1)</p>	 <p>Mounting Rails (Qty 2)</p>
 <p>M5 x 10mm Phillips Head Screw (Qty 10)</p>	 <p>Padlock Hasp (Qty 1)</p>	

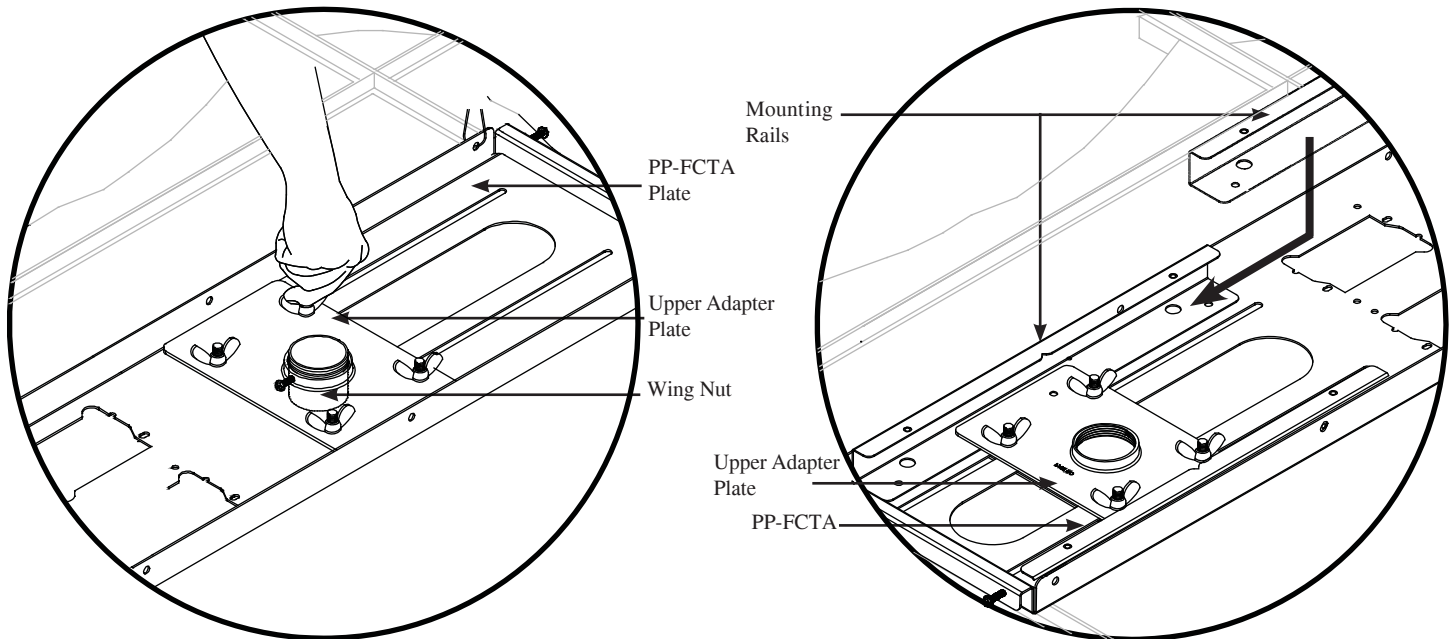
## Installation Tools





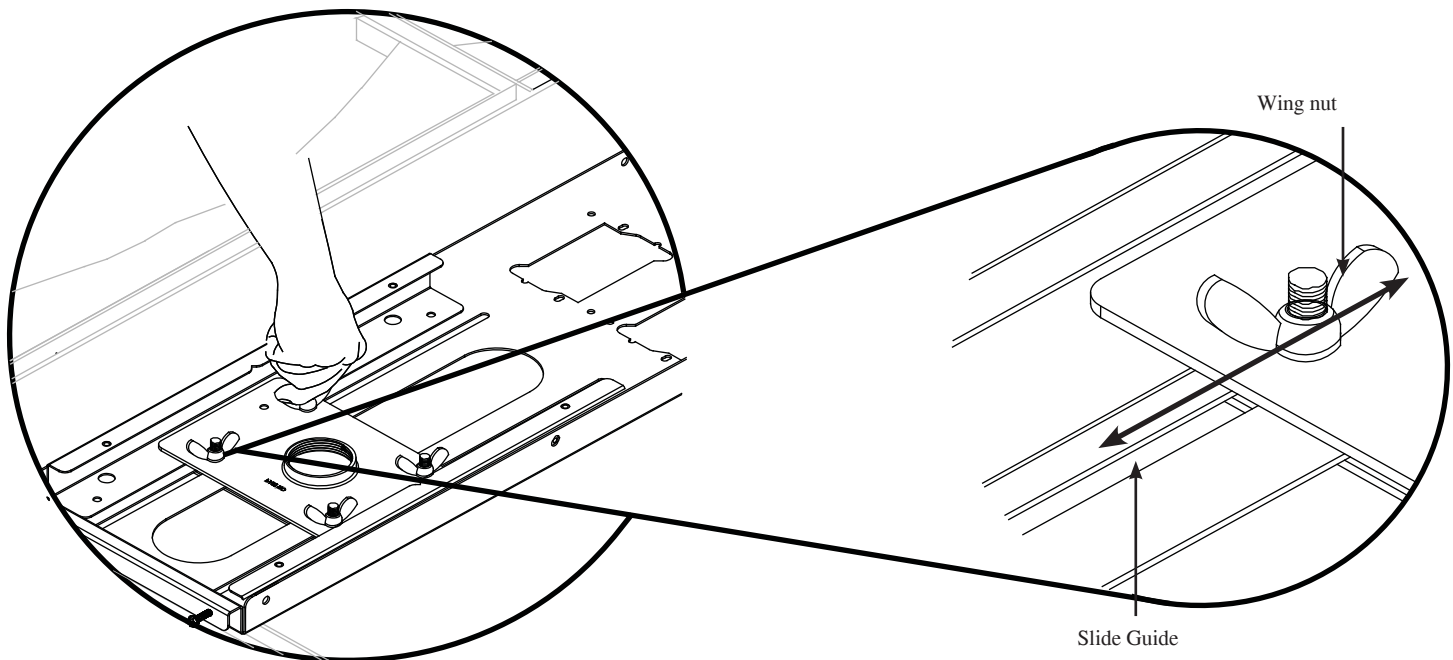
The GB-PLEN1 is designed for use with either the PP-FCTA or PP-FCMA. After installing your selected false-ceiling adapter, follow the instructions on the following pages to secure the GB-PLEN1.

### GB-PLEN1 Installation with PP-FCTA



**Step 1.** Loosen the wing nuts (do not remove) on the upper adapter plate.

**Step 2.** Slide the mounting rails (threaded holes facing up) between the upper adapter plate and the PP-FCTA.



**Step 3.** Determine final placement of the upper adapter plate.

**Step 4.** Tighten the wing nuts.

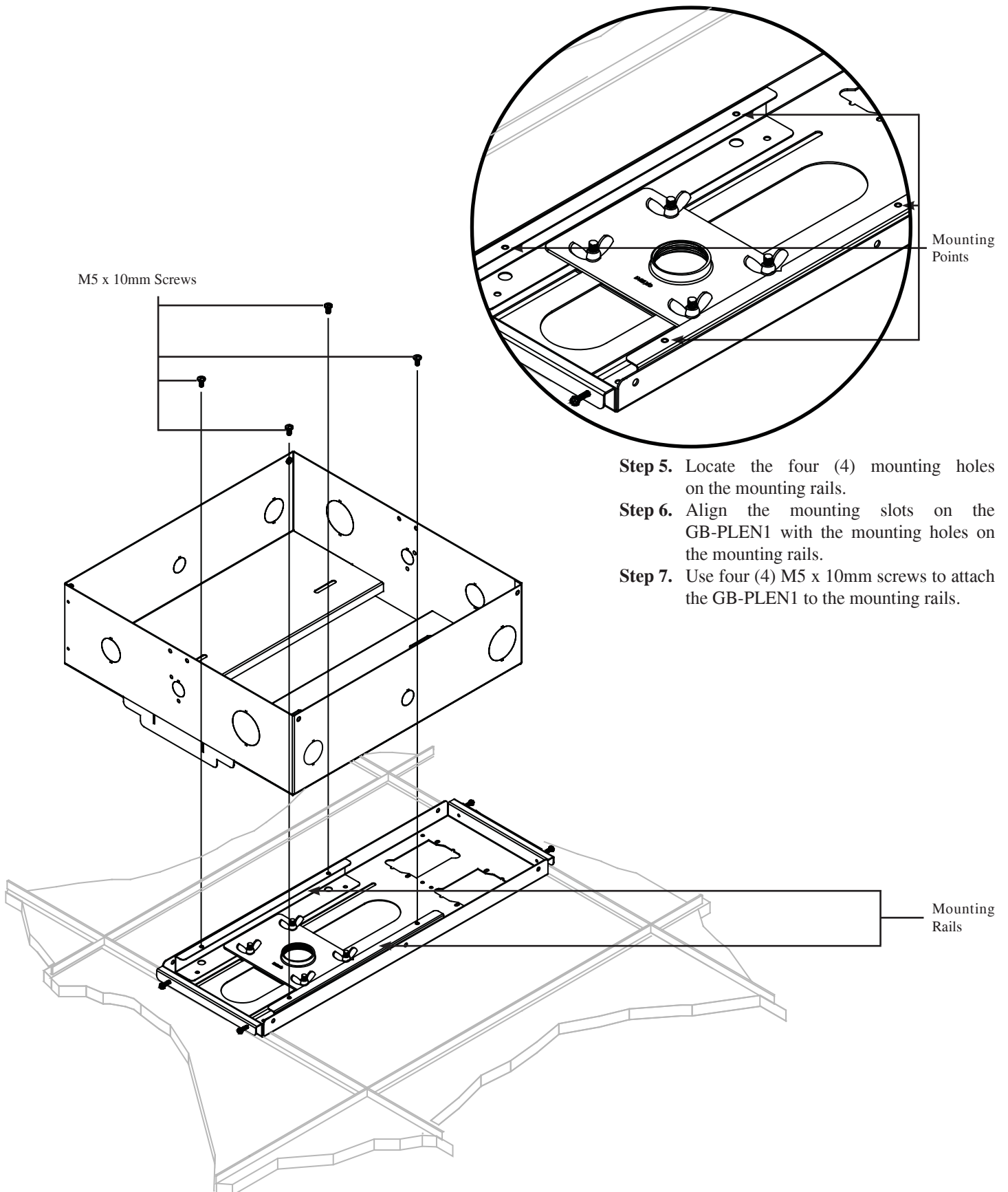


All four wing nuts must be parallel with the slide guide. If not, the Gear Box will not sit correctly on the PP-FCTA (see illustration arrow above).



NOTE

You may wish to pre-install your electronic components inside the enclosure at this time. If so, make sure to leave the mounting slots accessible.



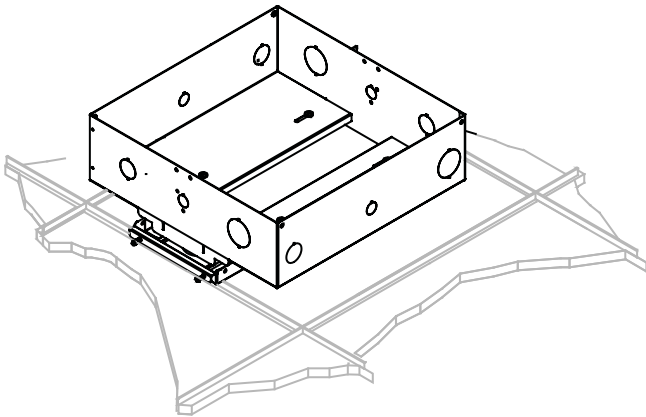
**Step 5.** Locate the four (4) mounting holes on the mounting rails.

**Step 6.** Align the mounting slots on the GB-PLN1 with the mounting holes on the mounting rails.

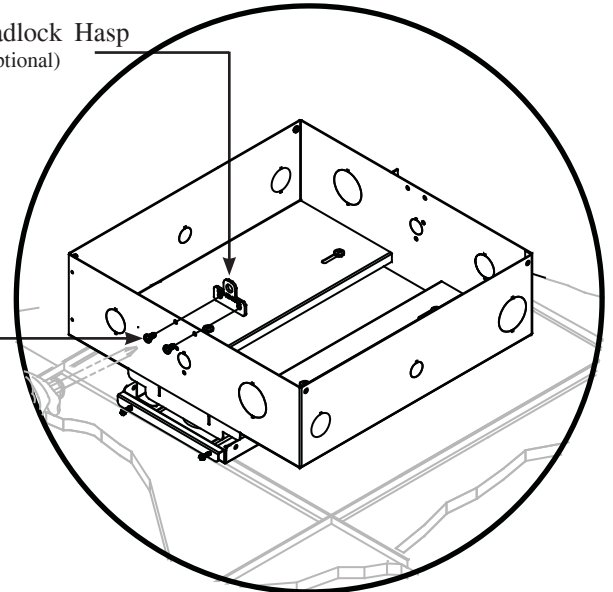
**Step 7.** Use four (4) M5 x 10mm screws to attach the GB-PLN1 to the mounting rails.


**NOTE**

If you did not pre-install electrical components, then you may now install all power and signal equipment. A qualified electrician should make any power connections to the GB-PLEN1.


**Completed Attachment**

 Padlock Hasp  
(optional)

 M5 x 10mm  
Screws


**Step 8.** Place the padlock hasp on the inside of the GB-PLEN1 (optional).


**NOTE**

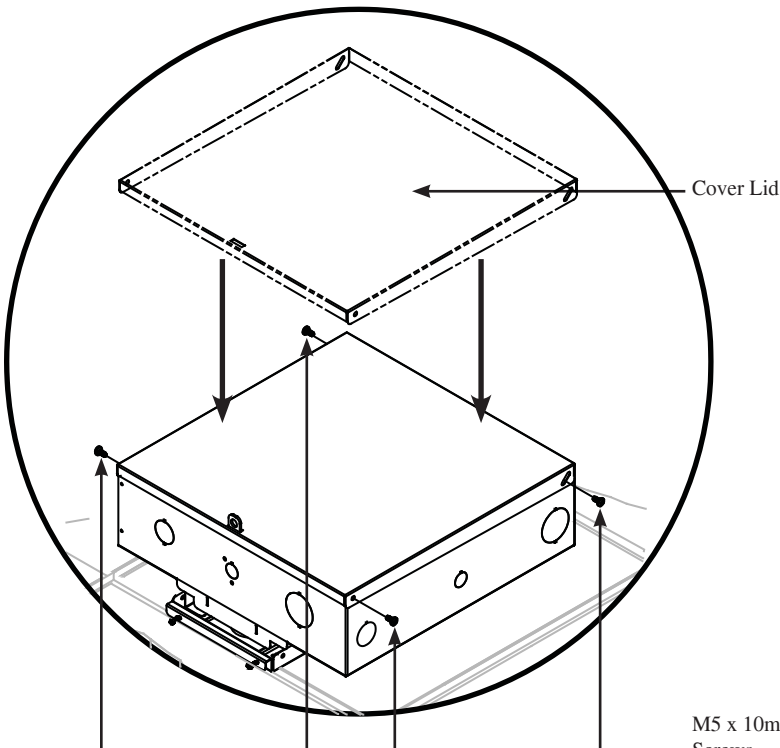
When attaching the padlock hasp, make sure the flat side is resting against the inside wall of the GB-PLEN1.

**Step 9.** Use two (2) M5 x 10mm Phillips screws to attach the padlock hasp to the GB-PLEN1.

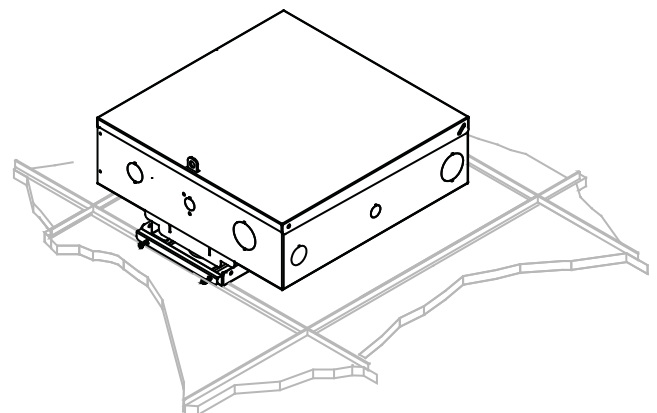
**Step 10.** Place the cover lid onto the GB-PLEN1 and secure using four (4) M5 x 10mm screws and tighten with a Phillips head screwdriver.


**NOTE**

The cover lid may be mounted facing either direction.



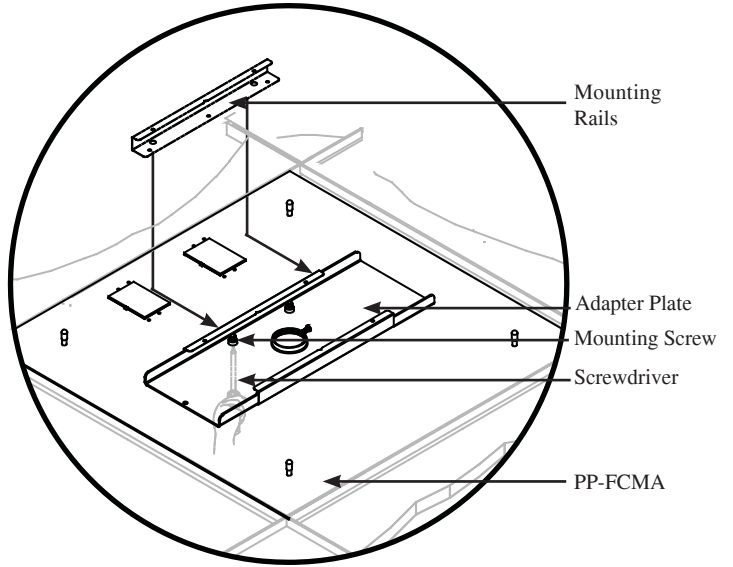
Cover Lid

 M5 x 10mm  
Screws

**Completed Installation**

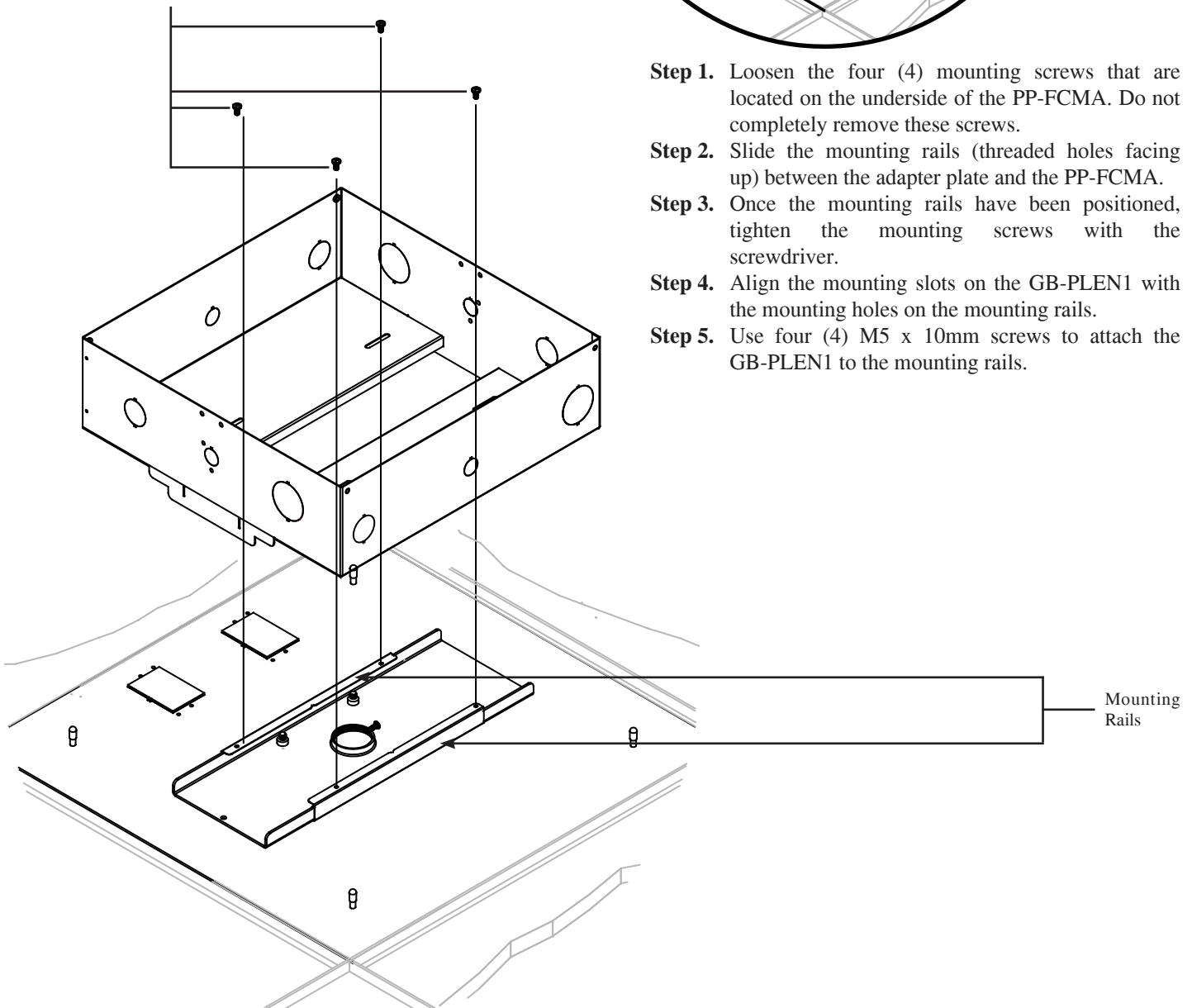


The GB-PLEN1 is designed for use with either the PP-FCMA or PP-FCTA. After installing your selected false-ceiling adapter, follow the instructions on the following pages to secure the GB-PLEN1.

### GB-PLEN1 Installation with PP-FCMA



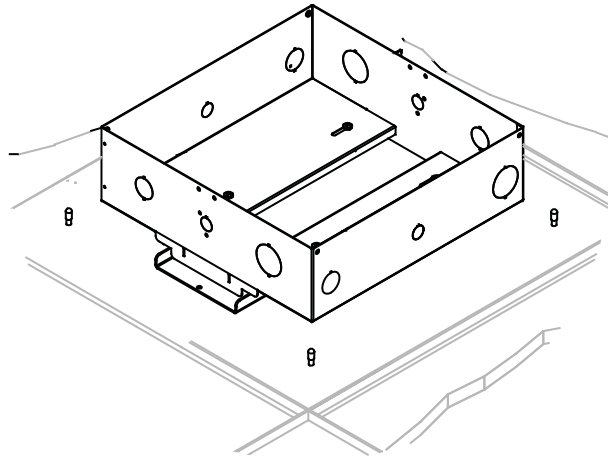
M5 x 10mm Screws



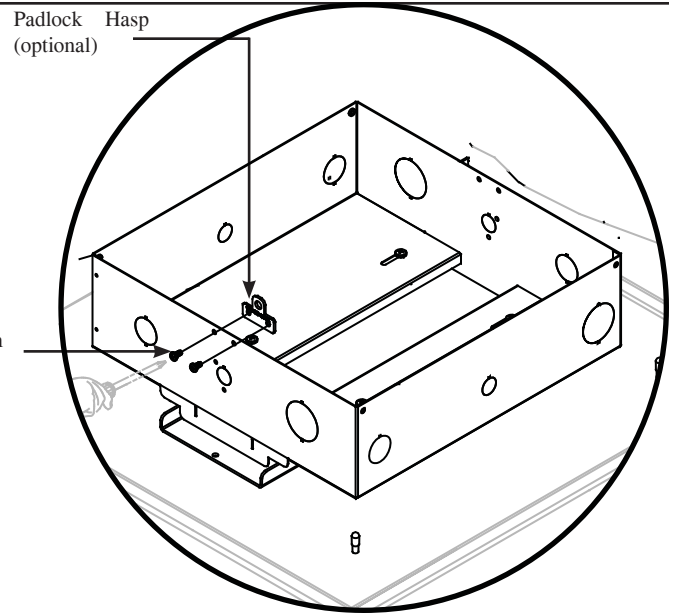
- Step 1.** Loosen the four (4) mounting screws that are located on the underside of the PP-FCMA. Do not completely remove these screws.
- Step 2.** Slide the mounting rails (threaded holes facing up) between the adapter plate and the PP-FCMA.
- Step 3.** Once the mounting rails have been positioned, tighten the mounting screws with the screwdriver.
- Step 4.** Align the mounting slots on the GB-PLEN1 with the mounting holes on the mounting rails.
- Step 5.** Use four (4) M5 x 10mm screws to attach the GB-PLEN1 to the mounting rails.


**NOTE**

If you did not pre-install electrical components, then you may now install all power and signal equipment. A qualified electrician should make any power connections to the GB-PLEN1.


**Completed Attachment**

 Padlock Hasp  
(optional)

 M5 x 10mm  
Screws


**Step 6.** Place the padlock hasp on the inside of the GB-PLEN1 (optional).


**NOTE**

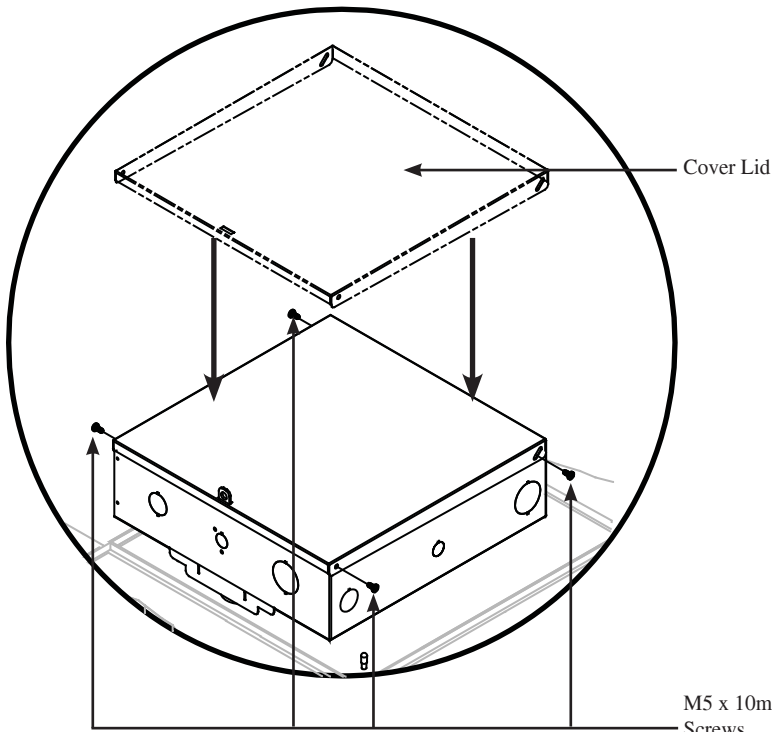
When attaching the padlock hasp, make sure the flat side is resting against the inside wall of the GB-PLEN1.

**Step 7.** Use two (2) M5 x 10mm Phillips screws to attach the padlock hasp to the GB-PLEN1.

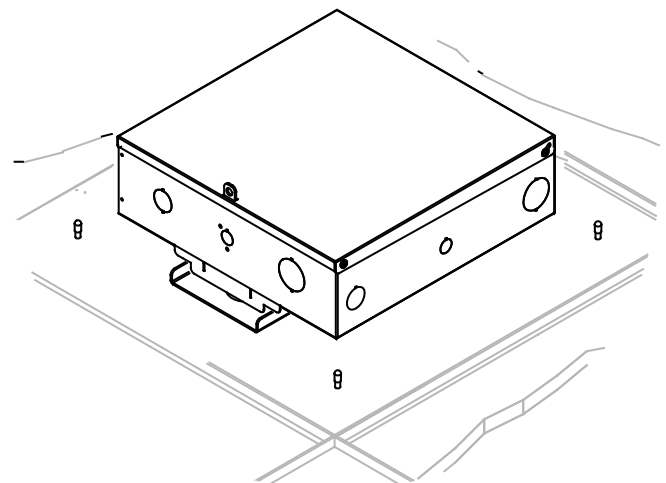
**Step 8.** Place the cover lid onto the GB-PLEN1 and secure using four (4) M5 x 10mm screws and tighten with a Phillips head screwdriver.


**NOTE**

The cover lid may be mounted facing either direction.



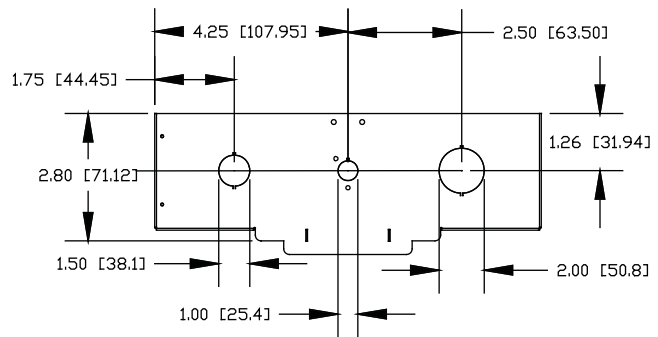
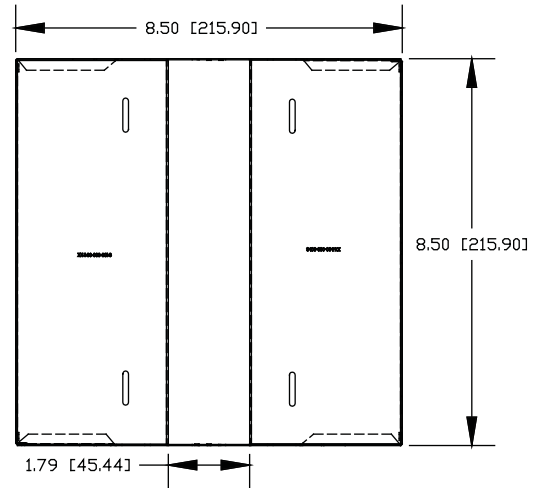
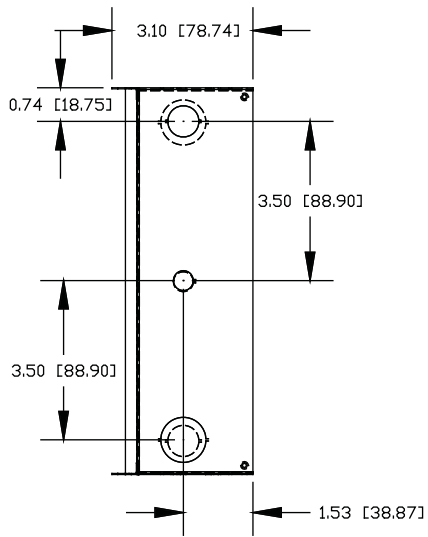
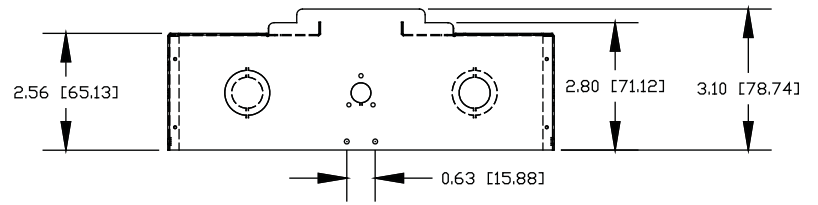
Cover Lid

 M5 x 10mm  
Screws

**Completed Installation**



## Technical Specifications

All measurements are in inches(mm).



## Warranty

### PREMIER MOUNTS LIMITED LIFETIME WARRANTY

#### What and Who is Covered by this Limited Warranty and for How Long

Premier Mounts warrants this product to be free from defects in material and workmanship for the lifetime of the original owner of this product. The limited warranty is valid only for the original purchaser of the product.

#### What Premier Mounts Will Do

At the sole option of Premier Mounts, Premier Mounts will repair or replace any product or product part that is defective. If Premier Mounts chooses to replace a defective product or part, a replacement product or part will be shipped to you at no charge, but you must pay any labor costs.

#### What is Not Covered; Limitations

PREMIER MOUNTS DISCLAIMS ANY LIABILITY FOR DAMAGE TO MOUNTS, ADAPTERS, DISPLAYS, PROJECTORS, OTHER PROPERTY, OR PERSONAL INJURY RESULTING, IN WHOLE OR IN PART, FROM IMPROPER INSTALLATION, MODIFICATION, USE OR MISUSE OF ITS PRODUCTS.

PREMIER MOUNTS DISCLAIMS ALL OTHER WARRANTIES, EXPRESS OR IMPLIED, INCLUDING WARRANTIES OF MERCHANTABILITY AND FITNESS FOR A PARTICULAR PURPOSE. PREMIER MOUNTS IS NOT RESPONSIBLE FOR INCIDENTAL OR CONSEQUENTIAL DAMAGES, INCLUDING BUT NOT LIMITED TO, INABILITY TO USE ITS PRODUCTS OR LABOR COSTS FOR REMOVING AND REPLACING DEFECTIVE PRODUCTS OR PARTS. SOME STATES DO NOT ALLOW THE EXCLUSION OR LIMITATION OF INCIDENTAL OR CONSEQUENTIAL DAMAGES, SO THE ABOVE LIMITATION OR EXCLUSION MAY NOT APPLY TO YOU.

#### What Customers Must Do for Limited Warranty Service

If you discover a problem that you think may be covered by the warranty you **MUST REPORT** it in writing to the address below within thirty (30) days. Proof of purchase (an original sales receipt) from the original consumer purchaser must accompany all warranty claims. Warranty claims must also include a description of the problem, the purchaser's name, address, and telephone number. General inquiries can be addressed to Premier Mounts Customer Service at 1-800-368-9700. Warranty claims will not be accepted over the phone or by fax.

Premier Mounts  
Attn: Warranty Claim  
3130 East Miraloma Ave.  
Anaheim, CA 92806

#### How State Law Applies

THIS WARRANTY GIVES YOU SPECIFIC LEGAL RIGHTS, AND YOU MAY ALSO HAVE OTHER RIGHTS WHICH VARY FROM STATE TO STATE.

## Free Manuals Download Website

<http://myh66.com>

<http://usermanuals.us>

<http://www.somanuals.com>

<http://www.4manuals.cc>

<http://www.manual-lib.com>

<http://www.404manual.com>

<http://www.luxmanual.com>

<http://aubethermostatmanual.com>

Golf course search by state

<http://golfingnear.com>

Email search by domain

<http://emailbydomain.com>

Auto manuals search

<http://auto.somanuals.com>

TV manuals search

<http://tv.somanuals.com>