

Universal Projector Mounts

PBC Series

The PBC Universal Mounts fit most projectors that weigh less than 25 lbs. They feature four double-jointed support arms (patent pending) that allow flexible positioning to reach any mounting point.

This unique design allows the mount to adapt to any standard 1 1/2" NTP for lengthening capabilities. Cables can be routed inside pipe for a neat appearance. Plus, it's backed by our industry-leading Lifetime Guarantee.



PBC Universal Mounts fit projectors up to 25 lbs

Features

- Fits projectors under 25 lbs
- +/-20° tilt and roll
- 360° Rotation
- Mounts to traditional, vaulted or cathedral ceilings*
- Mates with 1 1/2" NTP
- Cable routing inside pipe
- Available in two colors
- Lifetime Guarantee



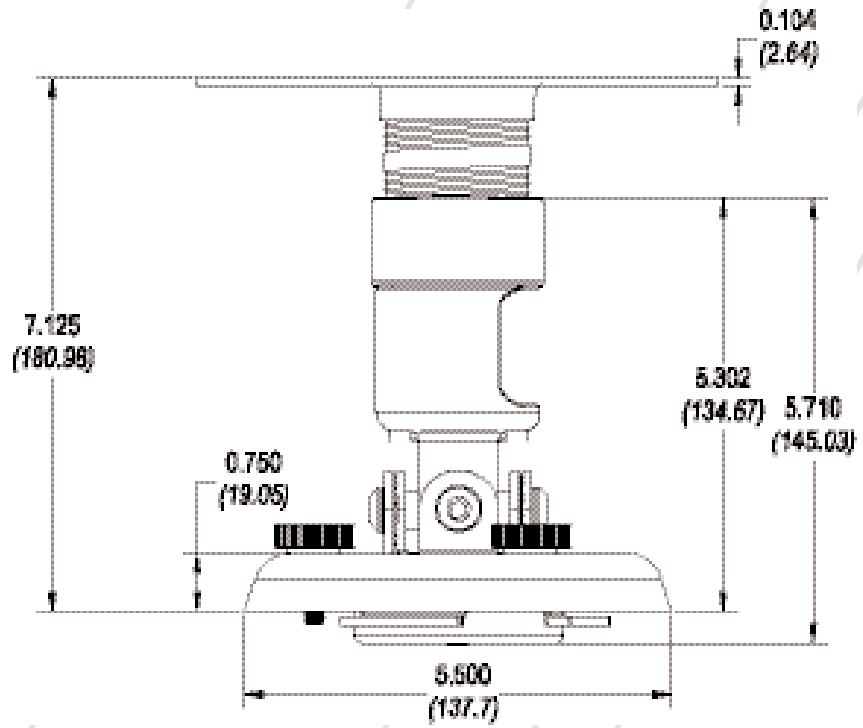
Side slot allows cable routing into pipe



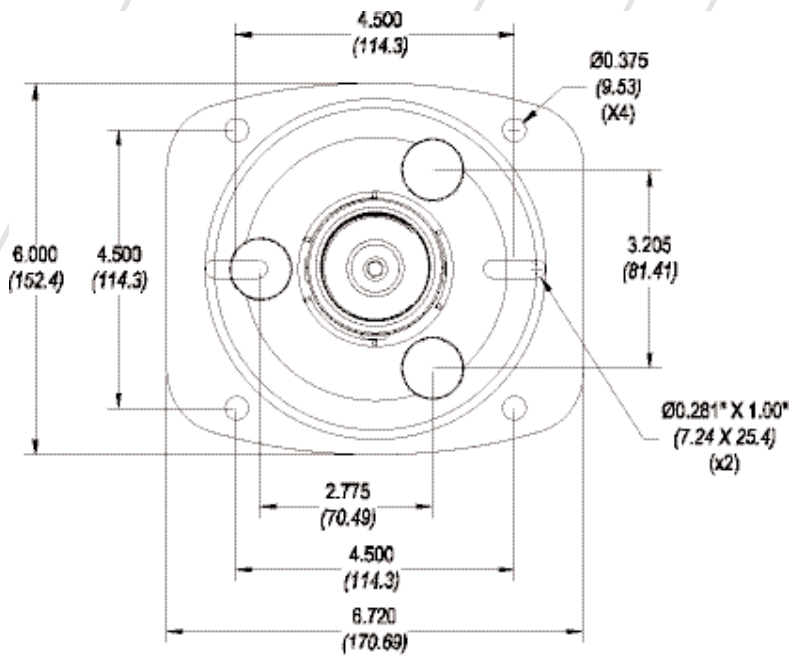
Tilt and Rotation allow optimal placement

*Vaulted and cathedral ceilings require PP-TL Adapter

Model	Max Wt.	Color	UPC	Box Dimensions	MSRP
PBC-UMS	25 LBS	Dark Gray	829973203047	7.5x15x5	\$189.99
PBC-UMW	25 LBS	White	829973203054	7.5x15x5	\$189.99



PBC (side view)



PBC (top view)

*Measurements are shown in inches and millimeters (mm)

PREMIER MOUNTS™
 The original holding company
 www.mounts.com • 800.368.9700

Free Manuals Download Website

<http://myh66.com>

<http://usermanuals.us>

<http://www.somanuals.com>

<http://www.4manuals.cc>

<http://www.manual-lib.com>

<http://www.404manual.com>

<http://www.luxmanual.com>

<http://aubethermostatmanual.com>

Golf course search by state

<http://golfingnear.com>

Email search by domain

<http://emailbydomain.com>

Auto manuals search

<http://auto.somanuals.com>

TV manuals search

<http://tv.somanuals.com>