

PCM

Universal Flat-Panel Mount

The PCM wall mount offers continuously adjustable tilt for ideal viewing and features our innovative Griplate™ System. This exclusive system accurately supports the appropriate mounting hardware with teeth set in detents along the mounting bracket. The solid fit keeps the display level and in place, eliminating the need to apply excessive torque on the mounting hardware. Open design allows ample room for installation of junction box or signal distribution.

- Multiple 16" and 18" mounting slots and one set of 24" slots
- 12° continuously adjustable tilt
- Built-in lateral shift for precise placement
- Fits most flat-panel displays between 37" to 63"
- PCM-MS2 fits mounting patterns up to 695 x 500mm (W x H)
- PCM-MS3 fits patterns up to 925 x 720mm (W x H)
- Unique Griplate™ System eliminates need for excessive torque
- Set screws and security knobs for installation safety
- Optional theft-resistant PaneLock™ available
- Lifetime warranty
- Color: Black



Model	Display Size	Application	Max. Wt.
PCM-MS2	37"-61"	Wall	160 lbs. (73 kgs.)
PCM-MS3	55"-63"	Wall	160 lbs. (73 kgs.)



Unique dual-plate and sliding-rod systems make the PCM universal mount easy to install. Wall-mounting template provided with each mount.

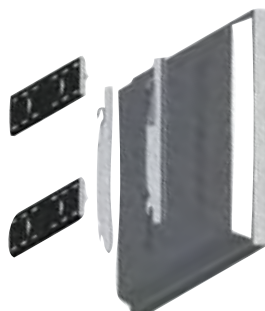


Add optional PaneLock™ to help prevent unauthorized display removal.



Dual mounting plates attach to studs 16", 18" or 24" on center, with multiple hole sets for easy centering.

Both models offer up to 12° tilt.

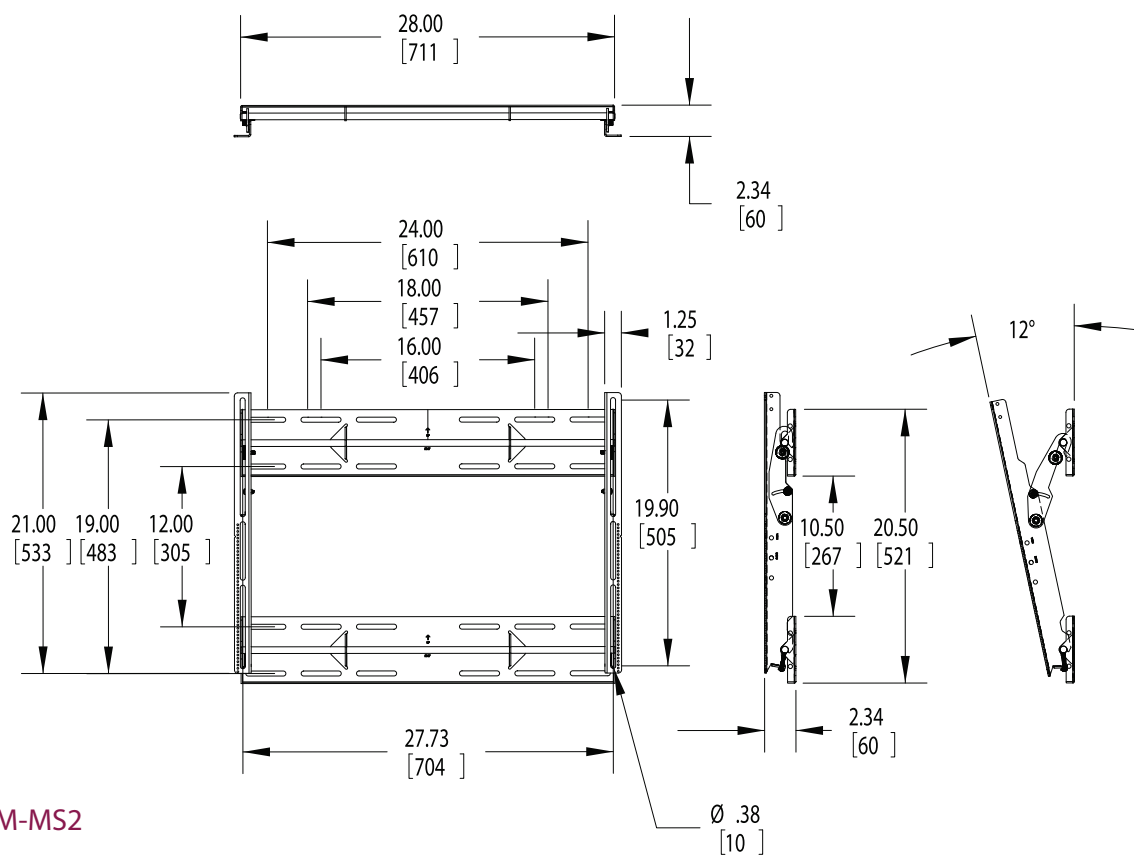


Mounting brackets hook over sliding rods.



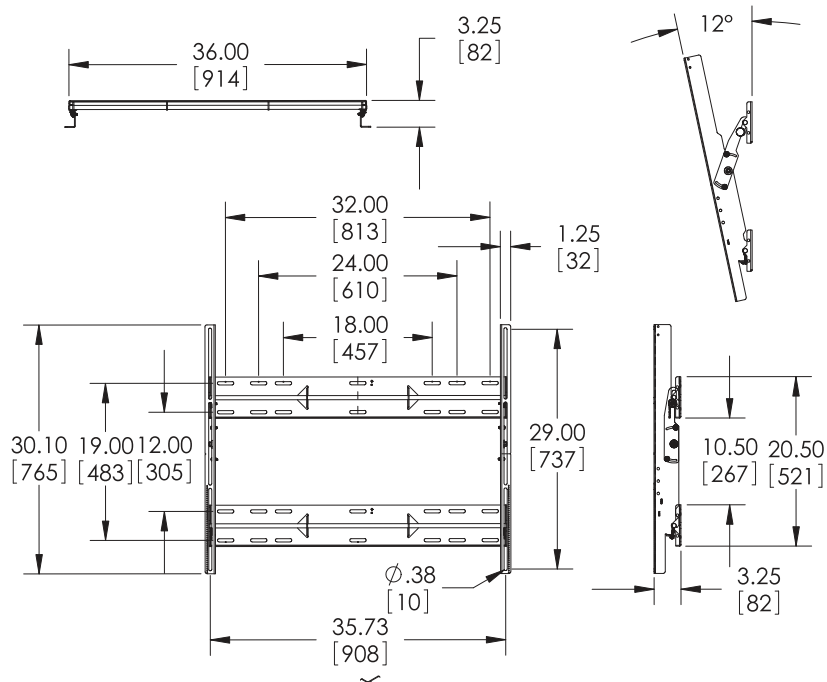
PREMIER MOUNTS®

SPECIFICATIONS



PCM-MS2

PCM-MS3



Dimensions are in inches and millimeters [mm].
 Drawings are subject to change without notice.

800.368.9700 | www.mounts.com



Free Manuals Download Website

<http://myh66.com>

<http://usermanuals.us>

<http://www.somanuals.com>

<http://www.4manuals.cc>

<http://www.manual-lib.com>

<http://www.404manual.com>

<http://www.luxmanual.com>

<http://aubethermostatmanual.com>

Golf course search by state

<http://golfingnear.com>

Email search by domain

<http://emailbydomain.com>

Auto manuals search

<http://auto.somanuals.com>

TV manuals search

<http://tv.somanuals.com>