

Hidden T-Bar Frame Adapter

Hidden T-bar Frame Adapter

Designed to sit hidden above the ceiling tiles within the T-bar of a standard ceiling frame, the PP-FCTA ceiling plate allows for precise suspended projector placement. The PP-FCTA offers the installer countless options when it comes to locating a mounting point for a projector.

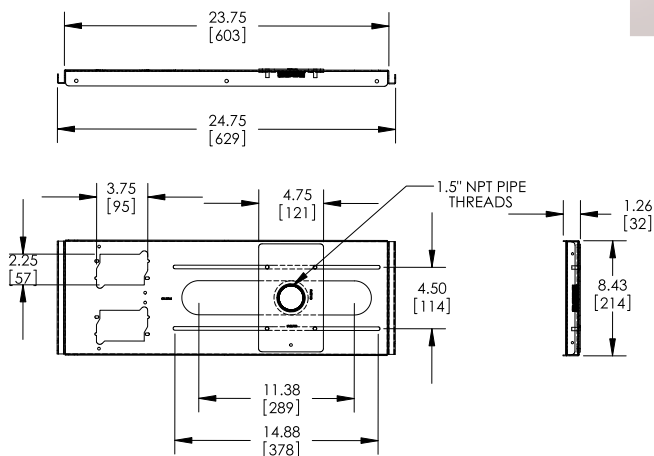
- Allows 9" of continuous movement
- Knockouts allow for wiring of signal and power outlets
- Wing nuts allow mobility of the 1 1/2" pipe coupler without excess tools
- Adapts to standard ceiling tiles
- Color: White

Model Max. Wt.
PP-FCTA 50 lbs. (23 kgs.)

Also available as a kit with our universal projector mounts.



Shown with
PBC-UMS
Mount.



False Ceiling Plate



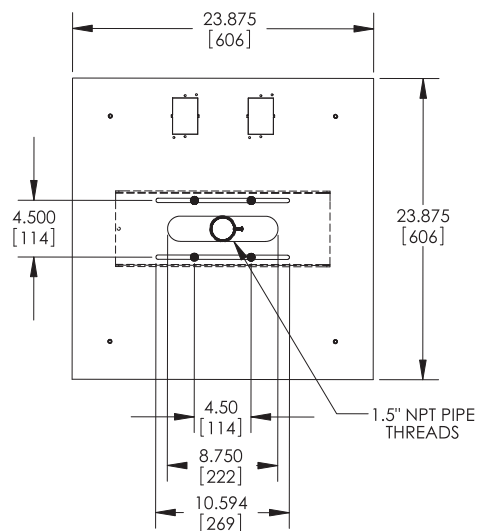
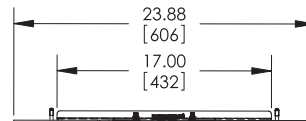
False Ceiling Plate

The PP-FCMA is a full tile replacement for standard 24"x 24" drop ceilings and mates with most projector mounts and suspension adapters.

- 4" horizontal adjustment
- Knockouts allow for wiring of signal and power outlets
- Color: White

Model	Max. Wt.
PP-FCMA	50 lbs. (23 kgs.)

Also available as a kit with our universal projector mounts.



Dimensions are in inches and millimeters [mm].
Drawings are subject to change without notice.

800.368.9700 | www.mounts.com



Free Manuals Download Website

<http://myh66.com>

<http://usermanuals.us>

<http://www.somanuals.com>

<http://www.4manuals.cc>

<http://www.manual-lib.com>

<http://www.404manual.com>

<http://www.luxmanual.com>

<http://aubethermostatmanual.com>

Golf course search by state

<http://golfingnear.com>

Email search by domain

<http://emailbydomain.com>

Auto manuals search

<http://auto.somanuals.com>

TV manuals search

<http://tv.somanuals.com>