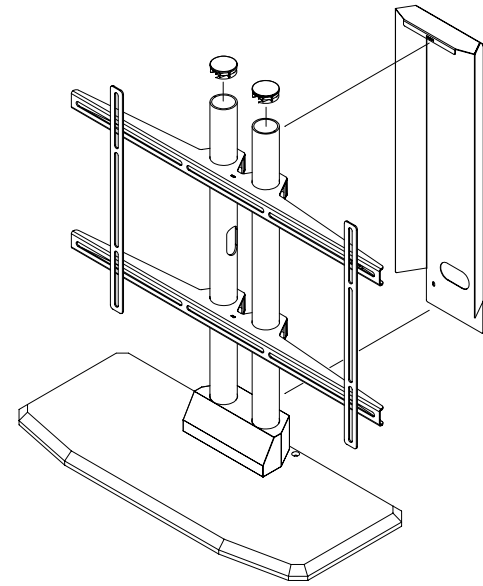
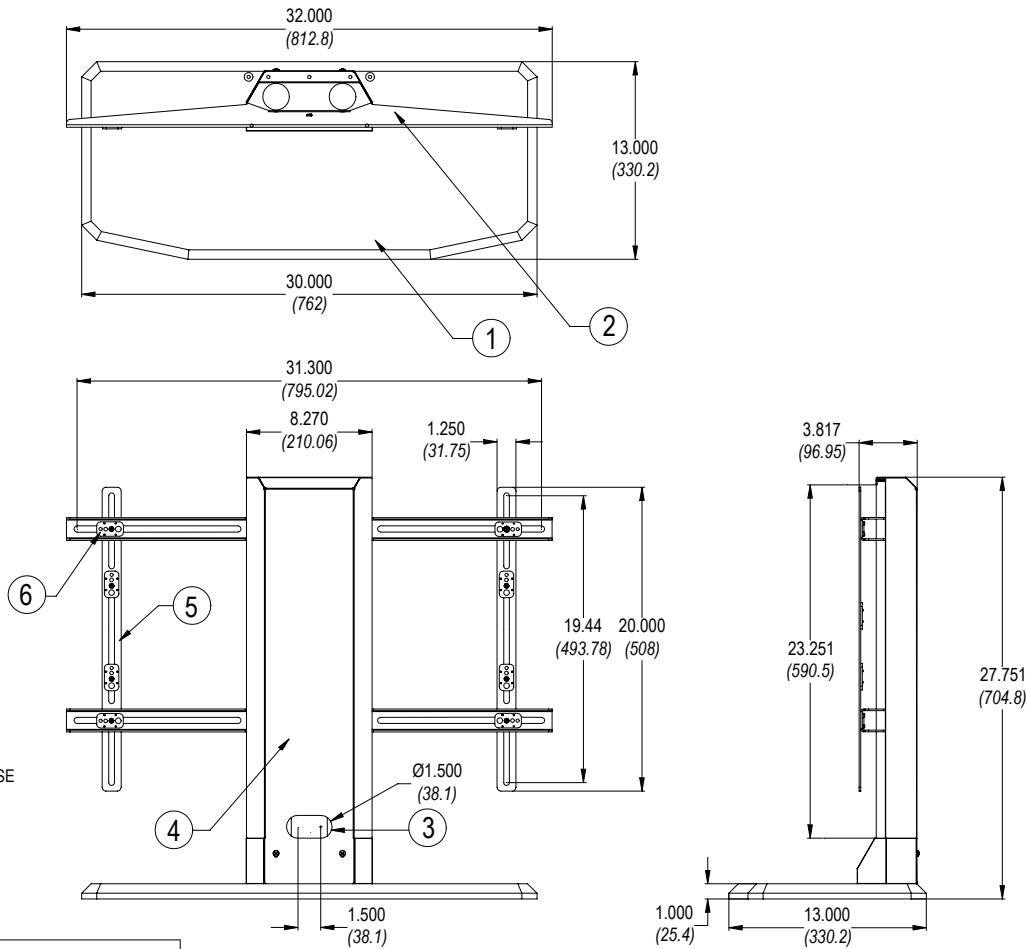


NOTE: THIS DRAWING AND THE SPECIFICATIONS CONTAINED HEREIN ARE CONFIDENTIAL AND PROPRIETARY. THEY ARE THE PROPERTY OF PREMIER MOUNTS... AND WILL NOT BE REPRODUCED IN ANY PART, OR COPIED OR USED IN WHOLE OR IN PART AS THE BASIS FOR THE MANUFACTURE OR SALE OF ITEMS WITHOUT WRITTEN PERMISSION. THIS IS AN UNPUBLISHED WORK PROTECTED UNDER THE FEDERAL COPYRIGHT LAWS.

Dimensions shown in inches and (mm)



NOTES:

- *1 - PSD-TTS (ACRYLIC) BASE
PSD-TTS/C (MDF) BASE
- *2 - Mounting brackets
- *3 - Cable access hole
- *4 - Cover
- *5 - Vertical brackets
- *6 - Gripplates™

BID SPECIFICATIONS

- CONSTRUCTION OF THE UPPER ASSEMBLY 12 (ga) CRS
PSD-TTS (MDF) BASE OR PSD-TTS/C (Acrylic) BASE
- ALL SHARP EDGES ARE BROKEN FOR A SMOOTH FINISH
- DRAWINGS ARE INTERPRET BY (Y14.5)



TITLE
PSD-TTS / PSD-TTS/C

Free Manuals Download Website

<http://myh66.com>

<http://usermanuals.us>

<http://www.somanuals.com>

<http://www.4manuals.cc>

<http://www.manual-lib.com>

<http://www.404manual.com>

<http://www.luxmanual.com>

<http://aubethermostatmanual.com>

Golf course search by state

<http://golfingnear.com>

Email search by domain

<http://emailbydomain.com>

Auto manuals search

<http://auto.somanuals.com>

TV manuals search

<http://tv.somanuals.com>