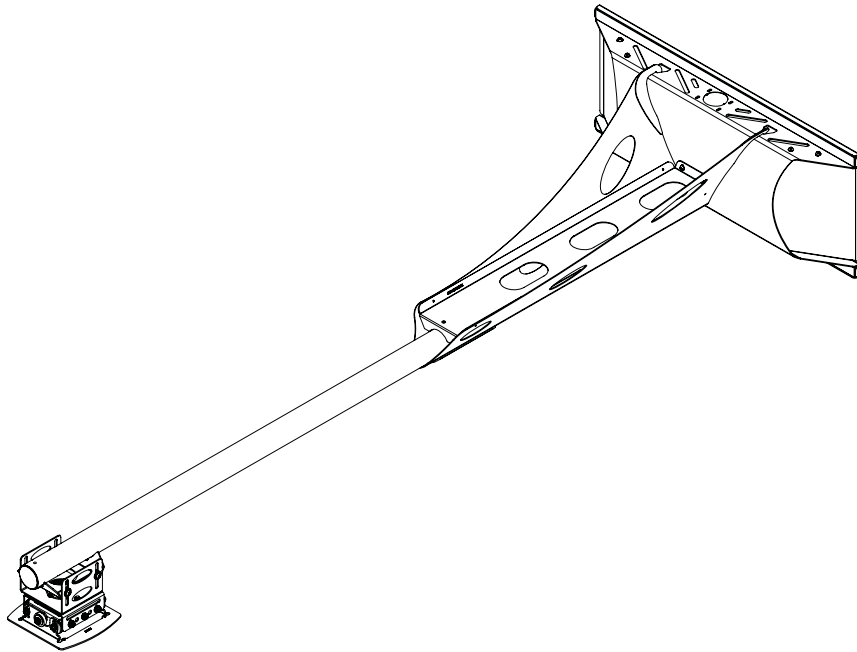


## INSTALLATION INSTRUCTIONS



### Short-Throw Projector Wall Mount

Model: CPD10WALLARM

---

#### **NORTH AMERICA**

3130 East Miraloma Avenue  
Anaheim, CA 92806 USA

USA and Canada

Phone: 1.800.368.9700  
Fax: 1.800.832.4888

Other Locations

Phone: (001).714.632.7100  
Fax: (001).714.632.1044

#### **EUROPE**

Swallow House,  
Shilton Industrial Estate,  
Shilton, Coventry, England CV79JY

Phone: +44 (0) 2476 614700  
Fax: +44 (0) 2476 614710

#### **AUSTRALIA AND OCEANIA**

Distributed by Amber Technology Limited  
Unit B, 5 Skyline Place  
Frenchs Forest NSW 2086  
Australia

Phone: +61 2 9452 8600 Sydney Office  
Toll Free: 1-800-368-9700

Email: [mounts@ambertech.com.au](mailto:mounts@ambertech.com.au)

9533-019-A03-00



## Contents

Weight Capacity..... 2

Warning Statements..... 2

Installation Tools..... 3

Parts List..... 3

Determining the Installation Height..... 4

Wood Stud Installation..... 5

Removing the End Cover..... 6

Attaching the Projector Arm..... 7

Extension Arm Installation..... 8

Adjustable Mounting Bracket Installation..... 8

Adjustable Mounting Bracket Installation (cont.) ..... 9

Base Box Installation..... 9

Projector Bracket Installation..... 10

Throw Distance Calculation..... 11

Utilizing the Storage Feature..... 12

Cable Management..... 13

Technical Specifications..... 13

Warranty..... 14

Disclaimer..... 14

## Weight Capacity

Maximum Projector Weight: **50lbs.**

THE WALL STRUCTURE MUST BE CAPABLE OF HOLDING FIVE (5) TIMES THE WEIGHT OF THE PROJECTOR. IF NOT, THEN THE WALL STRUCTURE MUST BE REINFORCED.

## Warning Statements



PRIOR TO THE INSTALLATION OF THIS PRODUCT, THE INSTALLATION INSTRUCTIONS MUST BE READ AND COMPLETELY UNDERSTOOD. KEEP THESE INSTALLATION INSTRUCTIONS IN AN EASILY ACCESSIBLE LOCATION FOR FUTURE REFERENCE.



PROPER INSTALLATION PROCEDURE BY A QUALIFIED SERVICE TECHNICIAN MUST BE FOLLOWED, AS OUTLINED IN THESE INSTALLATION INSTRUCTIONS. FAILURE TO DO SO COULD RESULT IN PROPERTY DAMAGE, SERIOUS PERSONAL INJURY, OR EVEN DEATH.



SAFETY MEASURES MUST BE PRACTICED AT ALL TIMES DURING THE ASSEMBLY OF THIS PRODUCT. USE PROPER SAFETY EQUIPMENT AND TOOLS FOR THE ASSEMBLY PROCEDURE TO PREVENT PERSONAL INJURY.



PREMIER MOUNTS DOES NOT WARRANT AGAINST DAMAGE CAUSED BY THE USE OF ANY PREMIER MOUNTS PRODUCT FOR PURPOSES OTHER THAN THOSE FOR WHICH IT WAS DESIGNED OR DAMAGE CAUSED BY UNAUTHORIZED ATTACHMENTS OR MODIFICATIONS, AND IS NOT RESPONSIBLE FOR ANY DAMAGES, CLAIMS, DEMANDS, SUITS, ACTIONS OR CAUSES OF ACTION OF WHATEVER KIND RESULTING FROM, ARISING OUT OF OR IN ANY MANNER RELATING TO ANY SUCH USE, ATTACHMENTS OR MODIFICATIONS.



At least two qualified people should perform the assembly procedure. Personal injury and/or property damage can result from dropping or mishandling the projector.



If mounting to wall studs or ceiling studs, make sure that the mounting screws are anchored into the center of the wall studs or ceiling studs. Use of an edge-to-edge stud finder is recommended.



Be aware of the mounting environment. If drilling and/or cutting into the mounting surface, always make sure that there are no electrical wires in wall. Cutting or drilling into an electrical line may cause serious personal injury.



Make sure there are no water or natural gas lines inside the wall where the mount is to be located. Cutting or drilling into a water or gas line may cause severe property damage or personal injury.



This product is intended for indoor use only. Use of this product outdoors could lead to product failure and/or serious personal injury.



Do not install near sources of high heat. Do not install on a structure that is prone to vibration, movement or chance of impact.



Contact Premier Mounts with any questions:

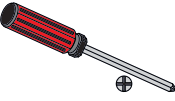

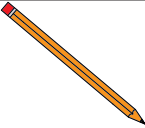

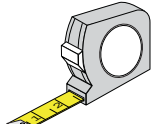
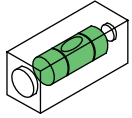

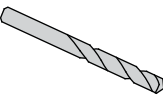

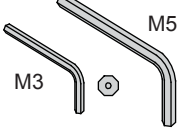
(800) 368-9700

[techsupport@mounts.com](mailto:techsupport@mounts.com)



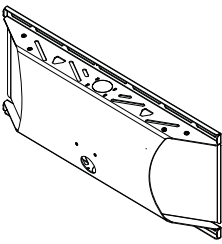
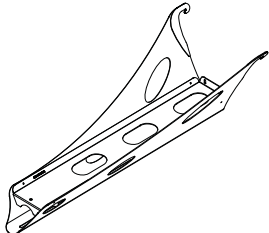
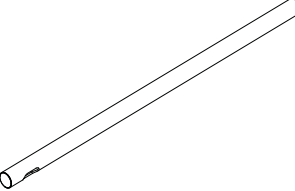
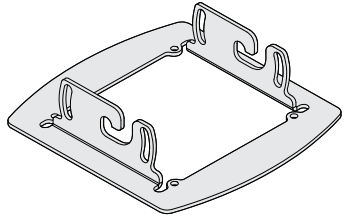
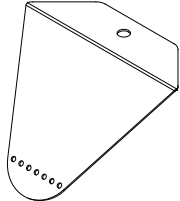
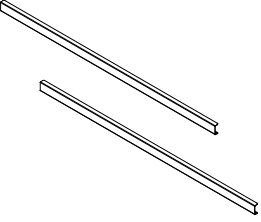
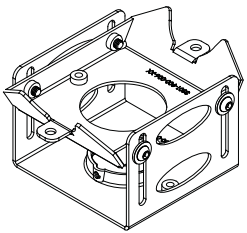
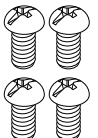
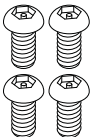
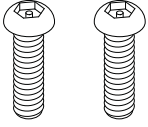
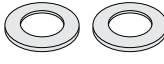
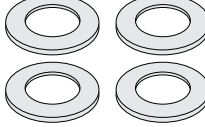
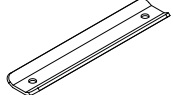
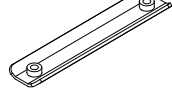


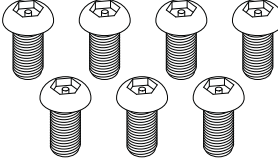
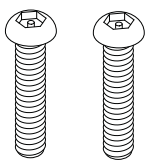
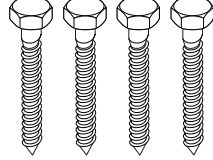
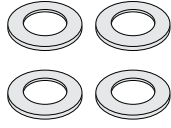
## Installation Tools

The following tools may be required, dependent upon your particular installation. These tools are not provided by Premier Mounts, but you can purchase them at your local hardware store.

 Phillips Tip Screwdriver	 Hand Held Drill	 Pencil	 Protective Eyewear	 Tape Measure	 Level
 1/2" Socket and Socket Wrench	 1/4" Wood Drill Bit	 Electronic Stud Finder	 Security Wrenches		

## Parts List

Your Premier Mounts product is shipped with all proper installation hardware and components. Make sure that none of these parts are missing and/or damaged before beginning installation. If there are parts missing and/or damaged, please stop the installation and contact Premier Mounts (800) 368-9700.

CPD10WALLARM Media Box Hardware						Projector Bracket Hardware Hardware	
 Wall Plate (Qty 1)	 Arm Assembly (Qty 1)	 Extension Arm (Qty 1)	 Projector Bracket (Qty 1)				
 End Cover (Qty 1)	 Wall Plate Covers (Qty 1)	 Adjustable Mounting Assembly Pre-Assembled (Qty 1)	M4 x 10mm Combo Screw (Qty 4)   M4 x 10mm Lock-It™ Security Screw (Qty 4) 				
 M6 x 12mm Security Head Screws (Qty 2)	 M6 Flat Washer (Qty 2)	 Square Washers (Qty 4)	 External Slide Plate (Qty 1)	 Inner Slide Plate (Qty 1)	M6 Set Screws Non-Security (Qty 1)  Security (Qty 1) 		
 M5 x 8mm Security Head Screws (Qty 7)		 M6 x 25mm Security Head Screws (Qty 2)	 5/16" x 3" Lag Bolts (Qty 4)		 1/4" Nylon Spacer (Qty 4)		



## Determining the Installation Height



In order to determine the installation height and throw distance, the projector bracket must be mounted to the projector. Please refer to the Installation Instructions prior to performing the following steps.



Refer to the projector's User's Manual to determine the offset of the projector lens to the top of the screen/whiteboard (B).

- 1 Measure distance from center of lens to the top of the bracket (C).
- 2 Add the distance from the ground to the top of the screen (A). Add the projector manufacturer's recommended offset from the projector manual (B). Add the measurement from Step 1 (C), and then add 2.5" to the total.

(Example:  $A + B + C + 2.5" = ?$ )

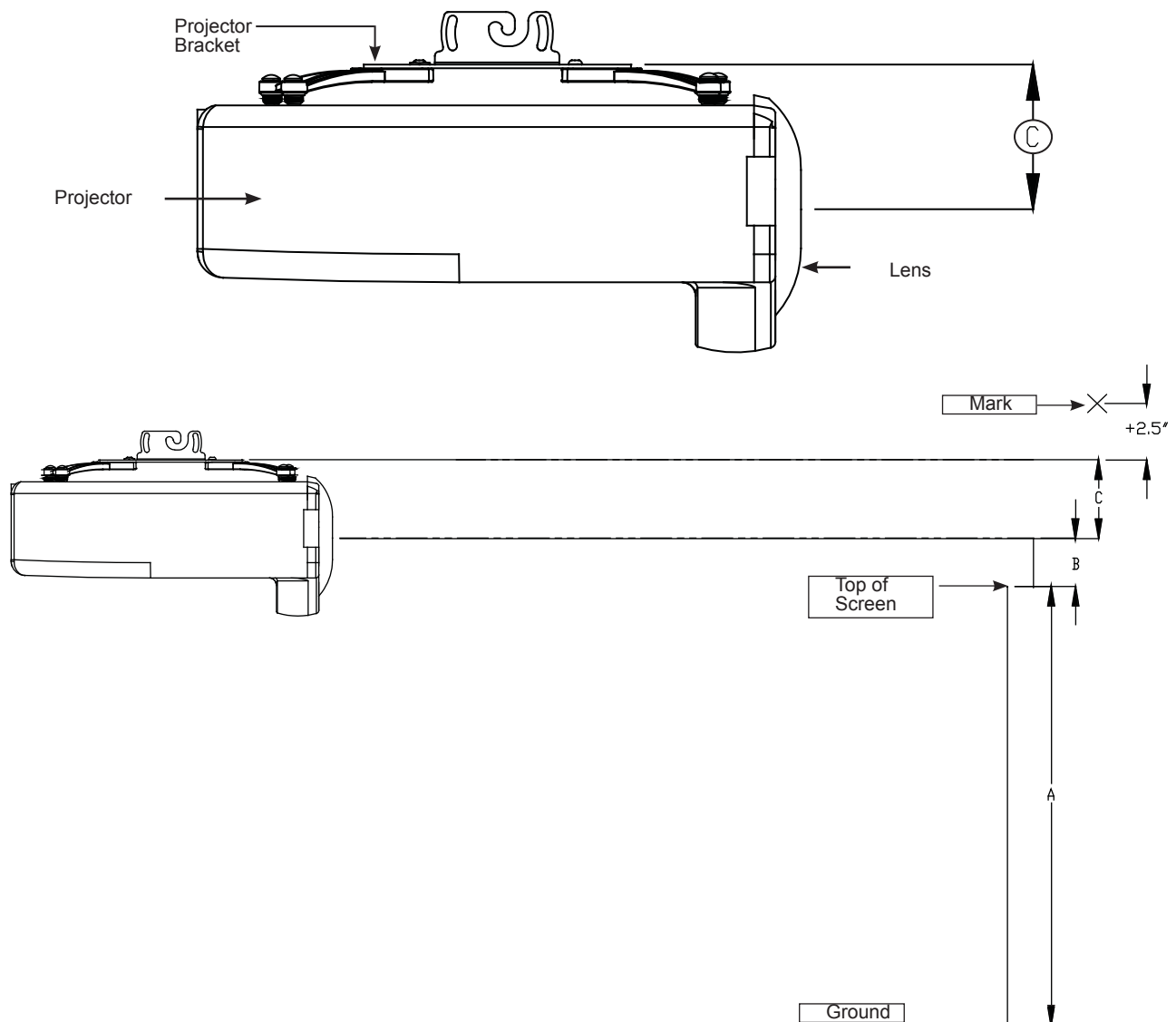
- 3 Add the measurements to determine the mounting height mark. Place a mark at the top of the total calculated height measurement starting from the ground up. This mark will represent the lower edge of the wall plate.

### Legend

- A - Distance from ground to the top of the screen/whiteboard (viewable area).
- B - Manufacturer's recommended offset measurement. This measurement will be listed in the User's Manual.
- C - Center of the lens to the top of the projector bracket.

Add 2.5" to the calculated total.

This total distance will be the location for the bottom rail on the wall plate.





## Wood Stud Installation

### Step 1

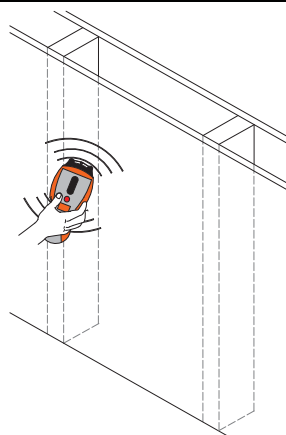


THE EXACT CENTER OF THE STUD MUST BE LOCATED FOR CORRECT AND SAFE INSTALLATION.



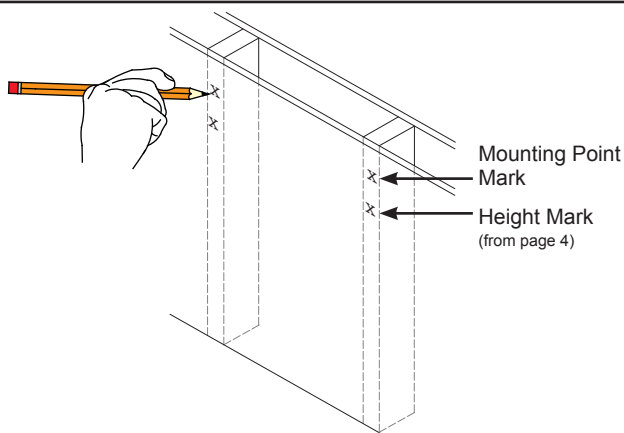
Do NOT overtighten lag bolts when attaching the mount to the wall. Improper installation may result in personal injury or damage to property.

Use a stud finder to determine the exact center of wall studs in the vicinity of the wall plate.



### Step 2

Use a pencil to mark the first mounting point, just above your height mark (from the "**Determining the Installation Height**" section).

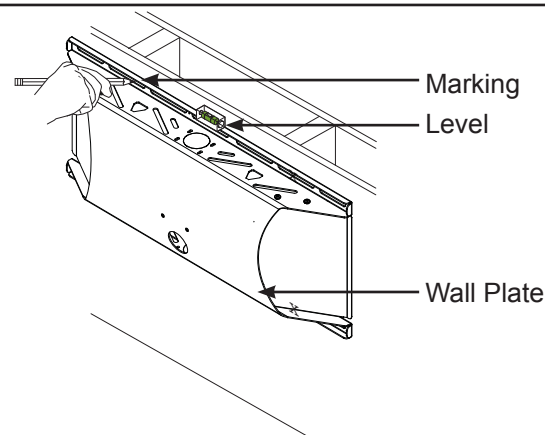


### Step 3

- 1 Use the level to make sure the wall plate is level from side to side.
- 2 Place the wall plate over the first mounting point mark and use a pencil to mark the rest of the mounting points.

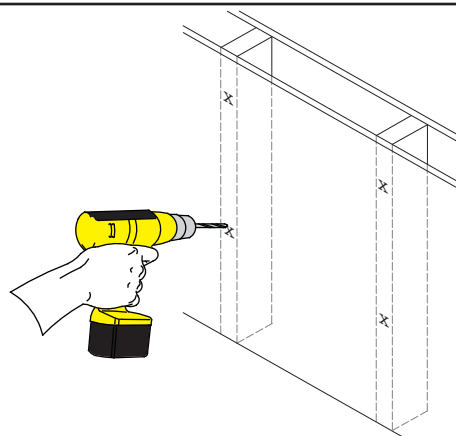


Four (4) mounting points must be used. Two (2) upper mounting points and two (2) lower mounting points.



### Step 4

Use a 1/4" drill bit and portable drill to drill the pilot holes.





## Wood Stud Installation (cont'd)

### Step 5

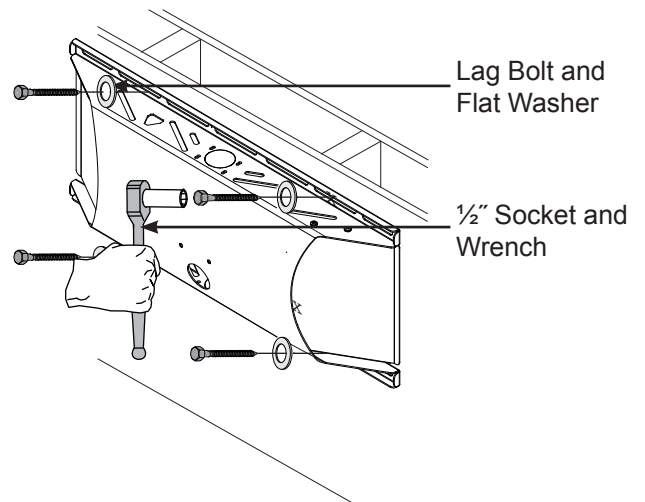
- 1 Use four (4)  $\frac{5}{16}$ " x 3" lag bolts and four (4) flat washers to mount the wall plate to the wooden studs. Use a  $\frac{1}{2}$ " socket and socket wrench to finish this step.



Do not overtighten the lag bolts.

- 2 Insert and gently tap the wall plate covers into place.

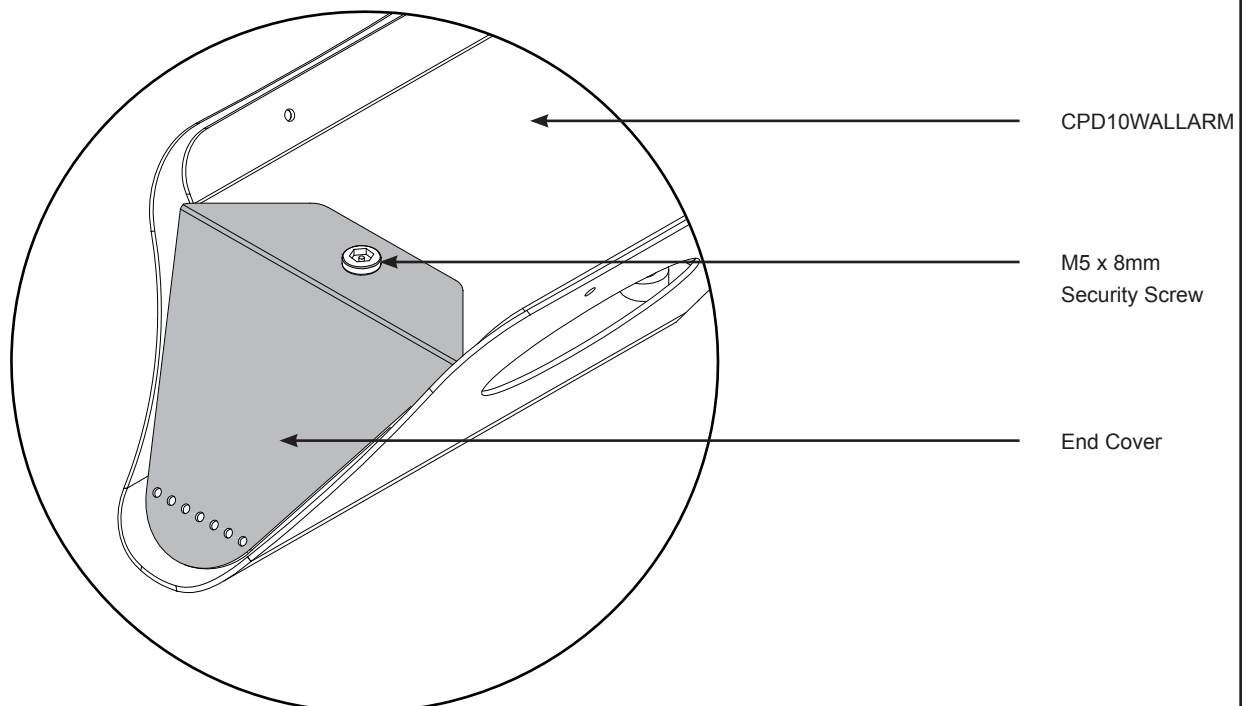
Proceed to the "Removing the End Cover" section.



## Removing the End Cover

- 1 Locate the end cover.
- 2 Remove the M5 x 8mm security screw using a M5 security wrench (supplied).
- 3 Discard the end cover.

Proceed to the "Attaching the Projector Arm" section.





## Attaching the Projector Arm

### Step 1

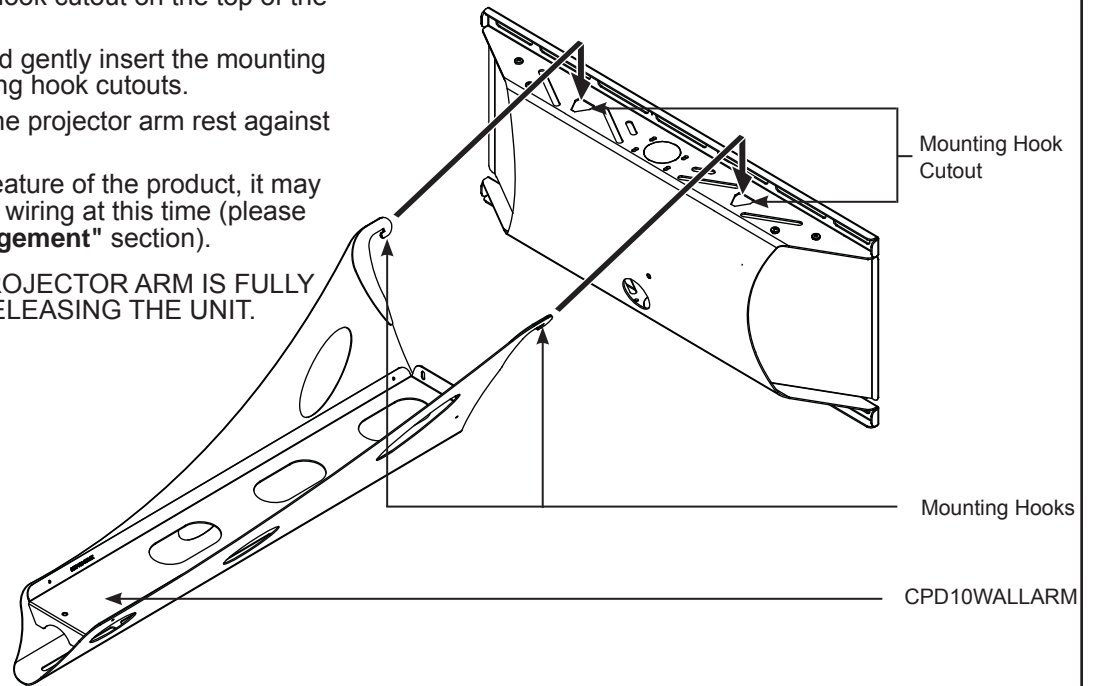
- 1 Locate the mounting hook cutout on the top of the wall plate.
- 2 Tilt the arm slightly and gently insert the mounting hooks into the mounting hook cutouts.
- 3 Slowly lower and let the projector arm rest against the wall plate.



If using the storage feature of the product, it may be easier to route any wiring at this time (please see the **"Cable Management"** section).



**MAKE SURE THE PROJECTOR ARM IS FULLY SEATED BEFORE RELEASING THE UNIT.**



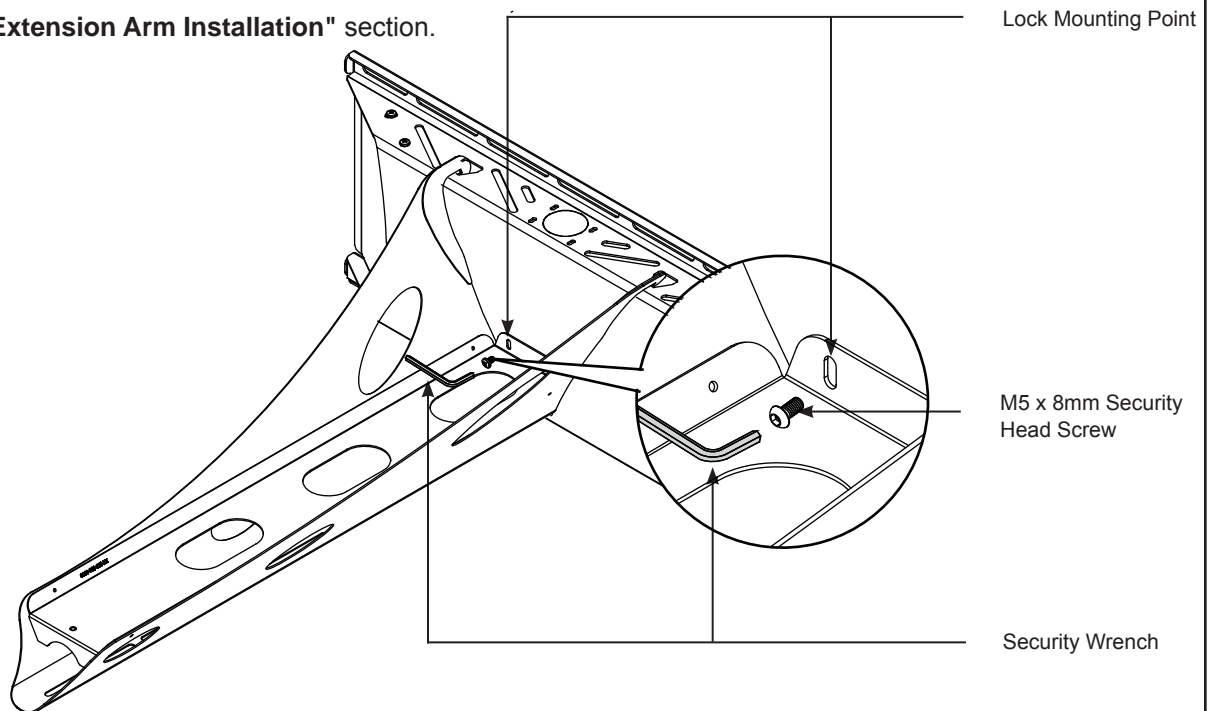
### Step 2

- 1 Locate the two (2) lock mounting points on the projector arm. These two points will be aligned with the lock mounting points on the wall plate.
- 2 Using a security wrench, insert and tighten two (2) M5 x 8mm security head screws.



Do NOT overtighten these screws.

Proceed to the **"Extension Arm Installation"** section.



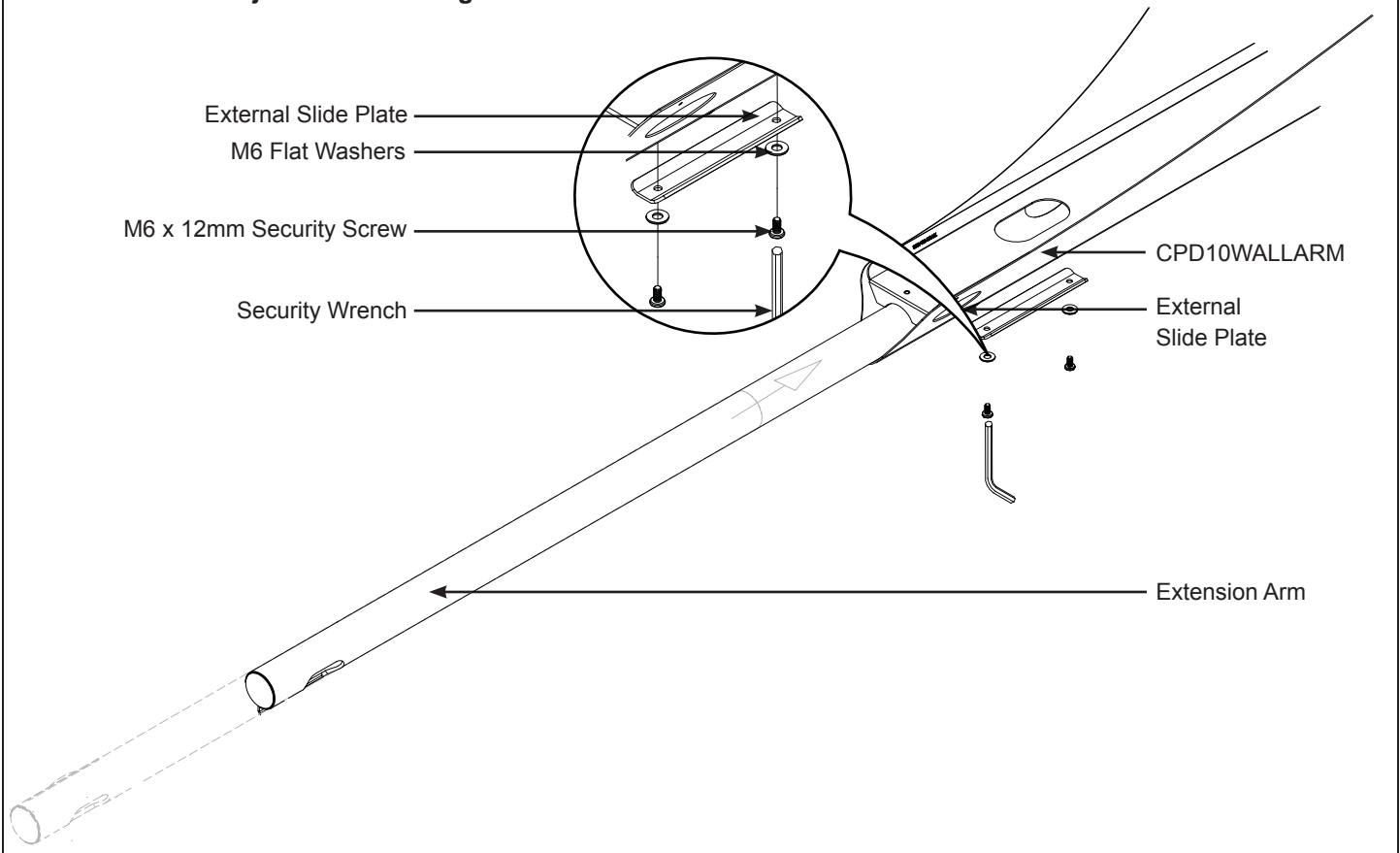


## Extension Arm Installation

**!** Please see the Operator's Manual to determine the correct throw distance (the distance from the projector to the screen). The throw distance must be determined prior to mounting the projector.


- 1 Slide the extension arm into the open end of the CPD10WALLARM (the front of the mount).
- 2 Adjust length so that the center of the adjustable mounting bracket matches the throw distance calibration.
- 3 Line up the mounting holes on the extension arm with the mounting slots on the CPD10WALLARM.
- 4 Using a screwdriver, insert and finger-tighten two (2) M6 x 12mm security head screws and M6 flat washers through the external slide plate.
- 5 Attach the projector.

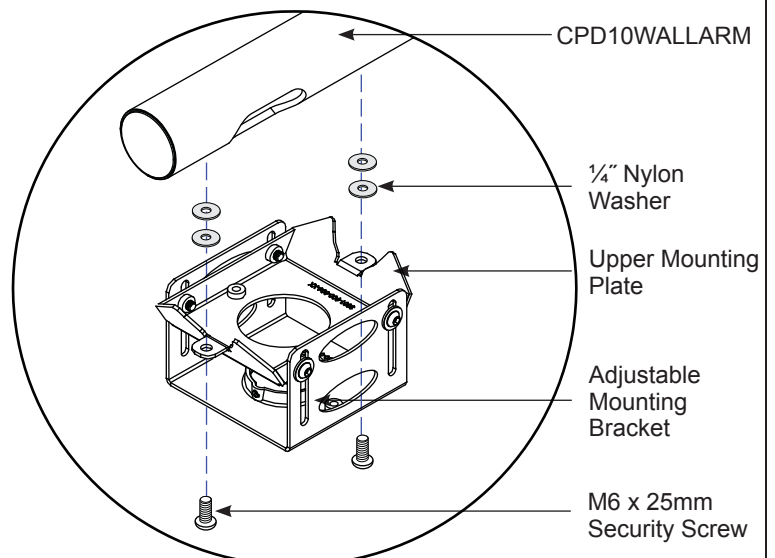
Proceed to the "Adjustable Mounting Bracket Installation" section.



## Adjustable Mounting Bracket Installation

### Step 1

- 1 Raise the adjustable mounting bracket into position.
  - 2 Align the mounting holes of the upper mounting plate with the mounting holes on the projector arm.
-  Four (4 - two per screw) 1/4" nylon washers must be placed between the adjustable mounting bracket and the projector arm (see illustration to the right).









## Adjustable Mounting Bracket Installation (cont.)

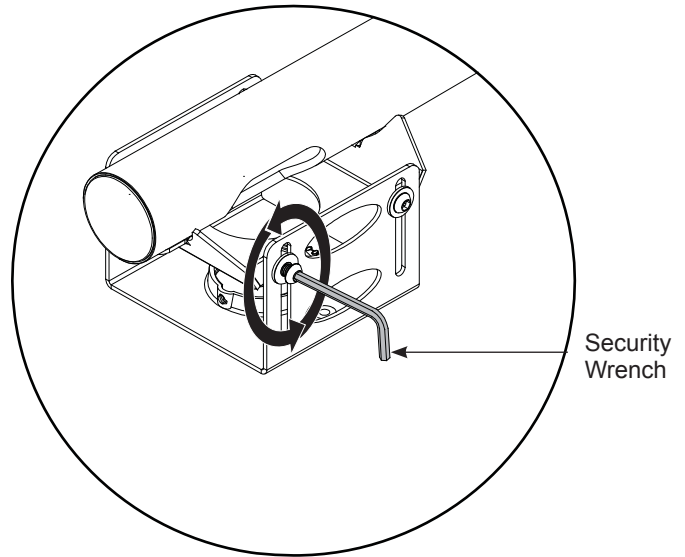
### Step 2

- Secure and fingertighten two (2) M6 x 16mm security head screws.

 If the adjustable mounting bracket needs to be adjusted, the four (4) M6 x 12mm security screws may be loosened so that the bracket can be moved  $\pm 2"$ . Fingertighten all hardware.


 Do not tighten the mounting hardware at this time.

Proceed to the "**Base Box Installation**" section.



## Base Box Installation

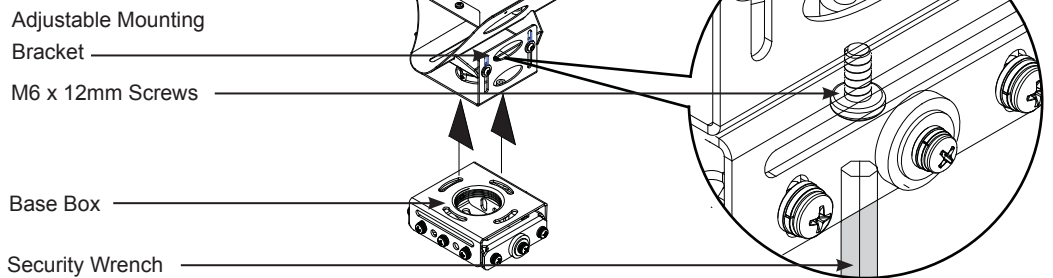
### Step 1

 The M6 x 12mm security head screws must be mounted from the underside of the base box.

 Do not overtighten the screws.

- Raise the base box to the upper mounting bracket.
- Align the two (2; one each side) mounting holes.
- Using a security wrench, insert and tighten two (2) M6 x 12mm security head screws.
- Attach the projector to the base box, referring to the projector bracket installation instructions.

Proceed to the "**Projector Bracket Installation**" section.

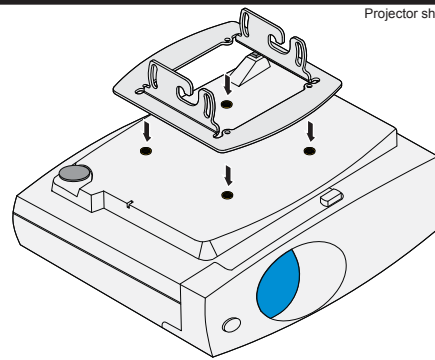




## Projector Bracket Installation


### Step 1

- 1 Invert the projector and place it on a soft, flat surface.
- 2 Remove any foot levelers that might prevent bracket installation.
- 3 Locate the mounting points on the projector.
- 4 Place the bracket on the projector.
- 5 Align the mount holes on the bracket with the mounting points on the projector.



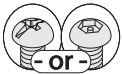
Projector shown is for example purposes only.  
Images not to scale.

### Step 2

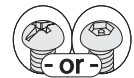
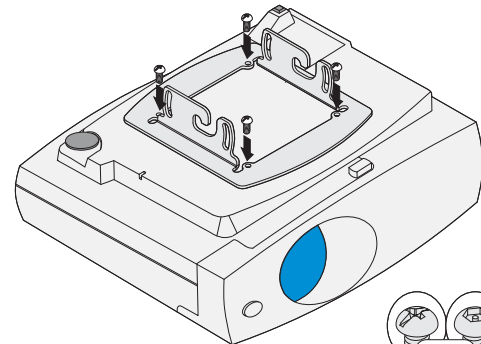
- 1 Insert one (1) M4 x 10mm screw into each mounting point.
  - 2 Tighten the mounting hardware.
-  You can use either the standard hardware or Lock-It™ security hardware.





Do not overtighten the mounting screws.

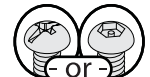
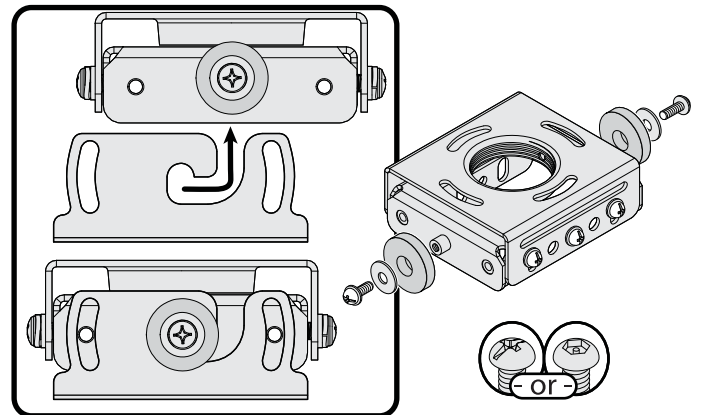


Your Premier Mounts bracket comes with the option of using Lock-It™ Security Screws. Simply replace any of the combo head screws with the corresponding sized Lock-It™ Security screws and tighten using the M3 Security Allen wrench. When you see these graphics associated with a step, you have the option of using the standard mounting hardware or the Lock-It™ Security hardware.





### Step 3

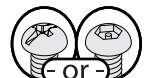
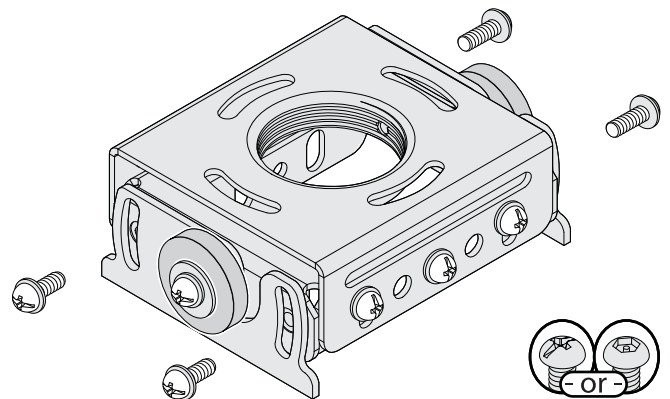
- 1 Place one (1) nylon washer and one (1) 1/4" flat washer over the hinge pin.
  - 2 Insert and tighten one (1) M6 x 12mm screw.
  - 3 Repeat 1 and 2 for the opposite hinge pin.
-  You can use either the standard hardware or Lock-It™ security hardware. Replace eight (8) M6 x 12mm screws and one (1) M6 x 8mm set screw.
-  Do not overtighten the M6 x 12mm screws or the M6 x 8mm set screw.
- 4 Install the base box onto your ceiling or 1 1/2" NPT pipe as per the base box installation instructions.
  - 5 Slide the projector / projector plate assembly onto the base box.
  - 6 Hook the projector plate over the hinge pins, as shown.



### Step 4

- 1 Insert the four (4) M6 x 12mm tilt adjustment screws, two (2) per side.
-  You can use either the standard hardware or Lock-It™ security hardware.
- 2 Tighten all screws.
-  Do not overtighten the mounting screws.
- 3 Follow the installation instructions that were packaged with the base box to complete the installation.

Proceed to the "Throw Distance Calculation" section.





**Throw Distance Calculation**



Please review the Operator's Manual that came packaged with your projector before attaching the upper mounting bracket. The correct throw distance (the distance from the projector to the screen) must be determined prior to mounting the projector.

- 1 Refer to the projectors Users Manual to determine the distance from the lens to the front of the screen (X).
- 2 Measure the distance from the front of the lens to the center of the projector (Y).
- 3 Measure the distance from the wall to the face of the whiteboard/screen (Z).
- 4 Add all measurements (X + Y + Z) to determine projector placement on the arm assembly.



This measurement will determine where the center of the mount bracket will be located on the arm assembly. Please make note of this measurement.



The CPD10WALLARM can be also used as a wall-mounted standard projector mount as well as a short throw projector mount. Align the projector facing the opposite direction from the wall plate to project the image across the room. Please take into account the projectors throw capabilities prior to mounting in the projector opposite direction.

Proceed to the "Utilizing the Storage Feature" section.



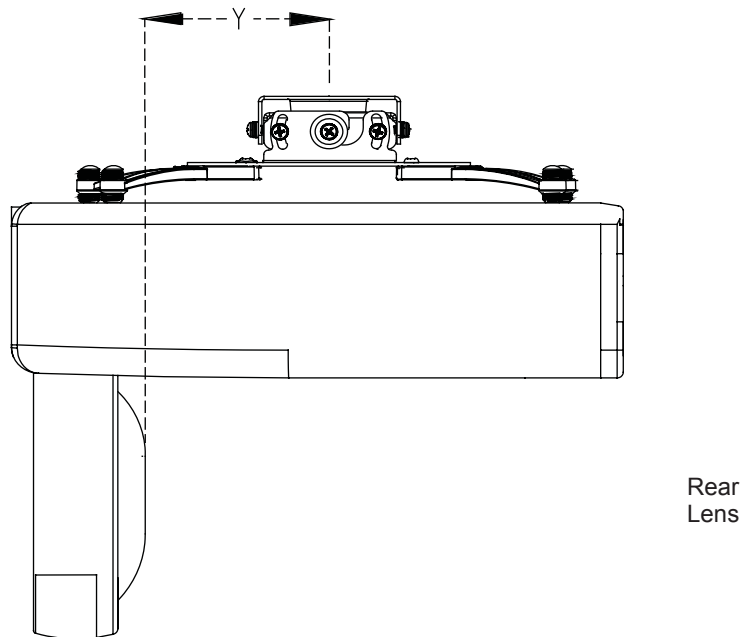
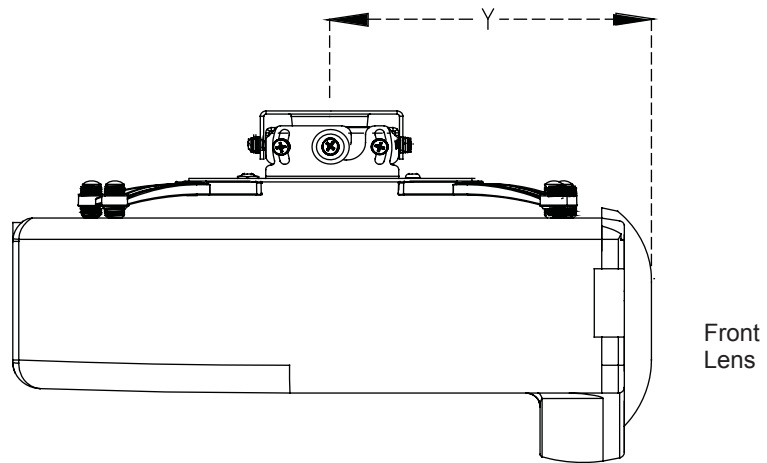
**Note!** Once the throw distance has been calculated, all mounting hardware must be tightened.

Calculations

X = Manufacturers recommended throw distance  
 Z = Distance from wall to face of whiteboard/screen

Front Lens Throw Distance =  $(X + Y + Z)$

Rear Lens Throw Distance =  $(X - Y + Z)$



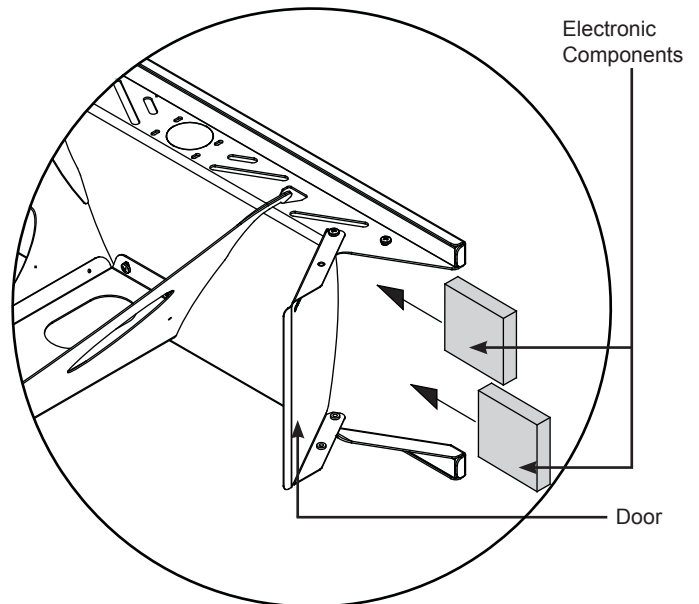


## Utilizing the Storage Feature

### Step 1

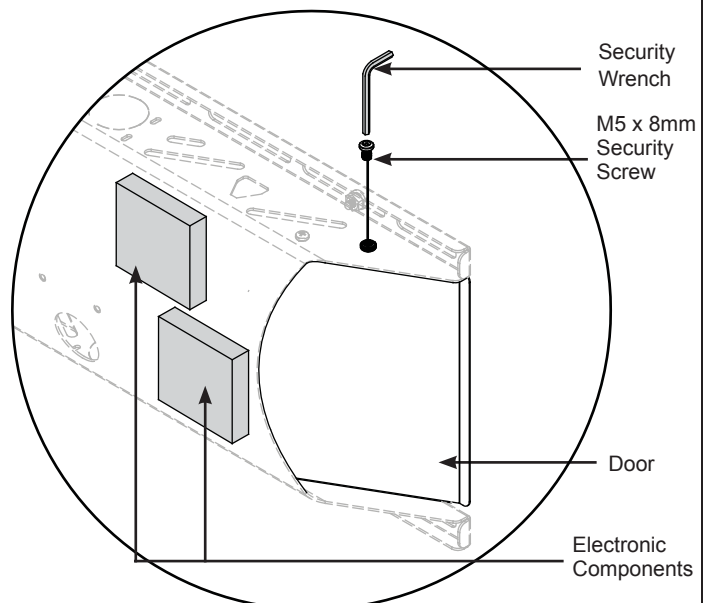
The storage feature may be used to store electronic components. There is an accessible door on each side of the storage enclosure. It may be securely held shut with the use of four (4) M5 x 8mm security head screws. It may be easiest to pre-wire all cables down the arm (or extension) at this time.

- 1 Open the storage door that is located on the side of the wall plate.
- 2 Place the electronic components inside the storage enclosure.
- 3 Make all electronic connections at this time.



### Step 2

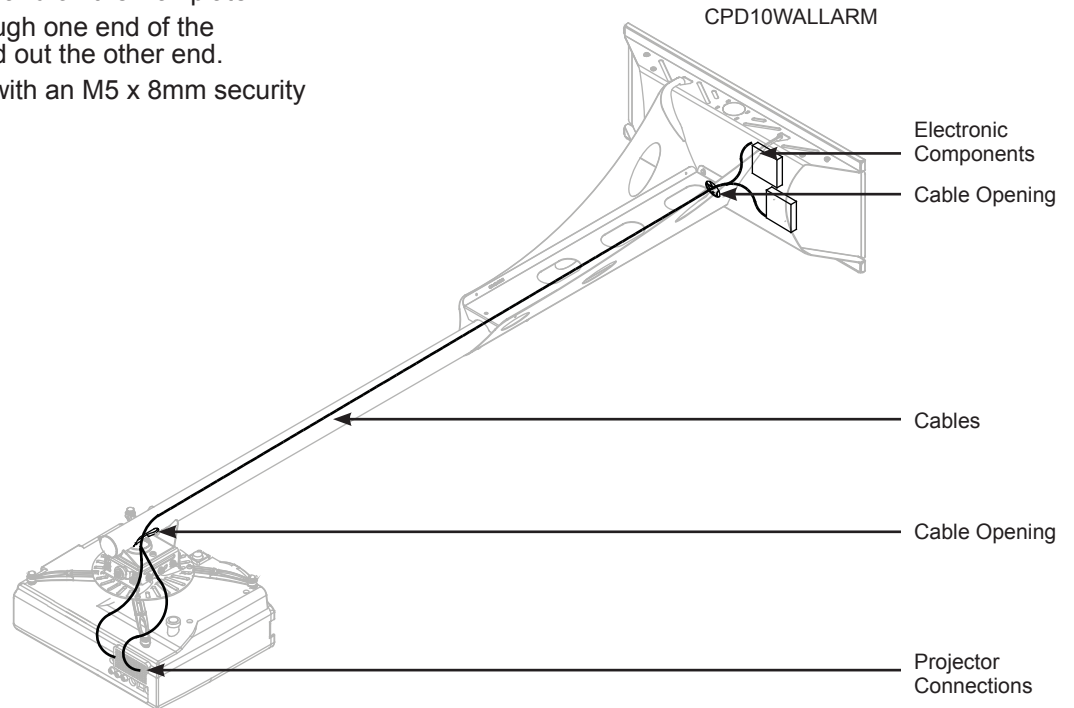
- 1 Close the storage door and secure using two (2; 1 upper and 1 lower) M5 x 8mm security head screws. Tighten using a security wrench.
  - 2 Repeat this process for the remaining side as well.
- Proceed to the "**Cable Management**" section.





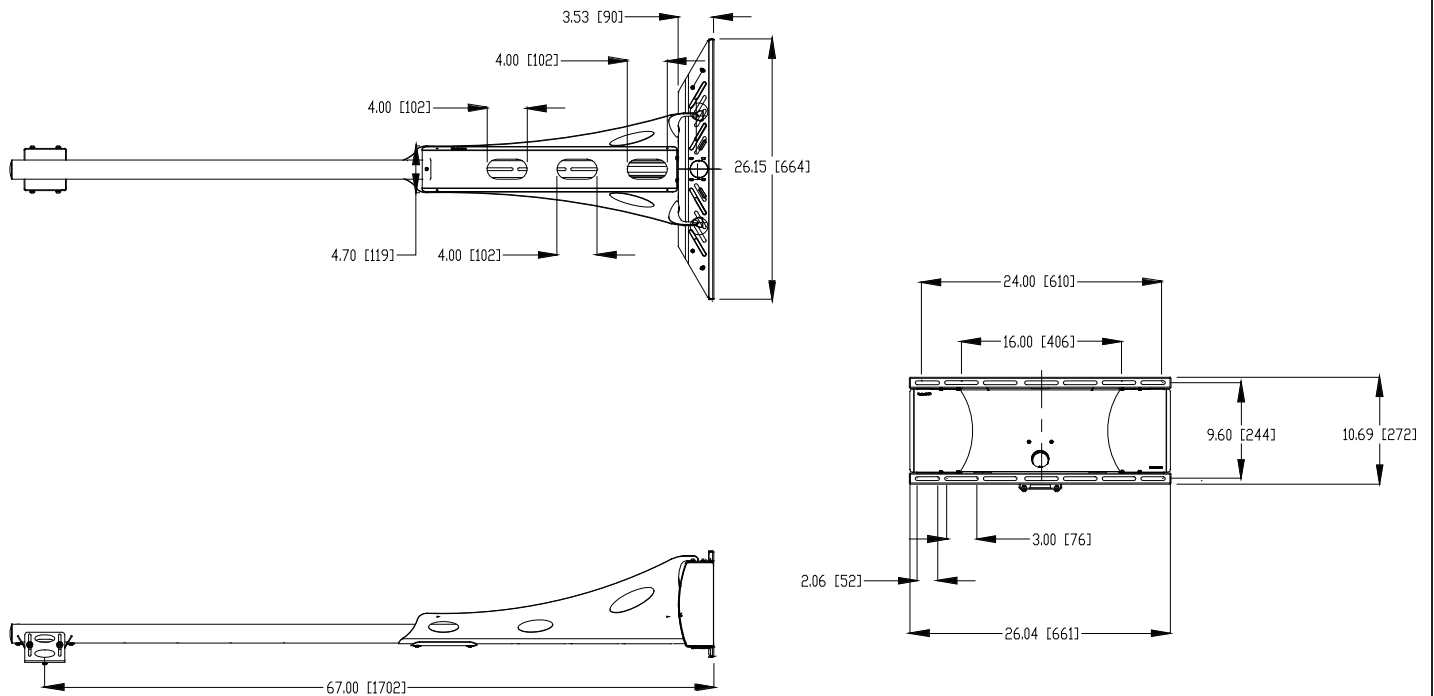
## Cable Management

- ❶ The cable access holes are located at the end of the short throw mount and on the wall plate.
- ❷ Route the cables through one end of the CPD10WALLARM and out the other end.
- ❸ Attach the end cover with an M5 x 8mm security head screw.



## Technical Specifications

All measurements are in inches(mm).





## Warranty

### PREMIER MOUNTS LIMITED LIFETIME WARRANTY

#### What and Who is Covered by this Limited Warranty and for How Long

Premier Mounts warrants this product to be free from defects in material and workmanship for the lifetime of the original owner of this product. The limited warranty is valid only for the original purchaser of the product.

#### What Premier Mounts Will Do

At the sole option of Premier Mounts, Premier Mounts will repair or replace any product or product part that is defective. If Premier Mounts chooses to replace a defective product or part, a replacement product or part will be shipped to you at no charge, but you must pay any labor costs.

#### What is Not Covered; Limitations

PREMIER MOUNTS DISCLAIMS ANY LIABILITY FOR DAMAGE TO MOUNTS, ADAPTERS, DISPLAYS, PROJECTORS, OTHER PROPERTY, OR PERSONAL INJURY RESULTING, IN WHOLE OR IN PART, FROM IMPROPER INSTALLATION, MODIFICATION, USE OR MISUSE OF ITS PRODUCTS.

PREMIER MOUNTS DISCLAIMS ALL OTHER WARRANTIES, EXPRESS OR IMPLIED, INCLUDING WARRANTIES OF MERCHANTABILITY AND FITNESS FOR A PARTICULAR PURPOSE. PREMIER MOUNTS IS NOT RESPONSIBLE FOR INCIDENTAL OR CONSEQUENTIAL DAMAGES, INCLUDING BUT NOT LIMITED TO, INABILITY TO USE ITS PRODUCTS OR LABOR COSTS FOR REMOVING AND REPLACING DEFECTIVE PRODUCTS OR PARTS. SOME STATES DO NOT ALLOW THE EXCLUSION OR LIMITATION OF INCIDENTAL OR CONSEQUENTIAL DAMAGES, SO THE ABOVE LIMITATION OR EXCLUSION MAY NOT APPLY TO YOU.

#### What Customers Must Do for Limited Warranty Service

If you discover a problem that you think may be covered by the warranty you MUST REPORT it in writing to the address below within thirty (30) days. Proof of purchase (an original sales receipt) from the original consumer purchaser must accompany all warranty claims. Warranty claims must also include a description of the problem, the purchaser's name, address, and telephone number. General inquiries can be addressed to Premier Mounts Customer Service at 1-800-368-9700. Warranty claims will not be accepted over the phone or by fax.

Premier Mounts  
Attn: Warranty Claim  
3130 East Miraloma Ave.  
Anaheim, CA 92806

#### How State Law Applies

THIS WARRANTY GIVES YOU SPECIFIC LEGAL RIGHTS, AND YOU MAY ALSO HAVE OTHER RIGHTS WHICH VARY FROM STATE TO STATE.

## Disclaimer

Premier Mounts intends to make this manual accurate and complete. However, Premier Mounts makes no claim that the information contained herein covers all details, conditions or variations, nor does it provide for every possible contingency in connection with the installation or use of this product. The information contained in this document is subject to change without notice or obligation of any kind. Premier Mounts makes no representation of warranty, expressed or implied, regarding the information contained herein. Premier Mounts assumes no responsibility for accuracy, completeness or sufficiency of the information contained in this document.

## Free Manuals Download Website

<http://myh66.com>

<http://usermanuals.us>

<http://www.somanuals.com>

<http://www.4manuals.cc>

<http://www.manual-lib.com>

<http://www.404manual.com>

<http://www.luxmanual.com>

<http://aubethermostatmanual.com>

Golf course search by state

<http://golfingnear.com>

Email search by domain

<http://emailbydomain.com>

Auto manuals search

<http://auto.somanuals.com>

TV manuals search

<http://tv.somanuals.com>