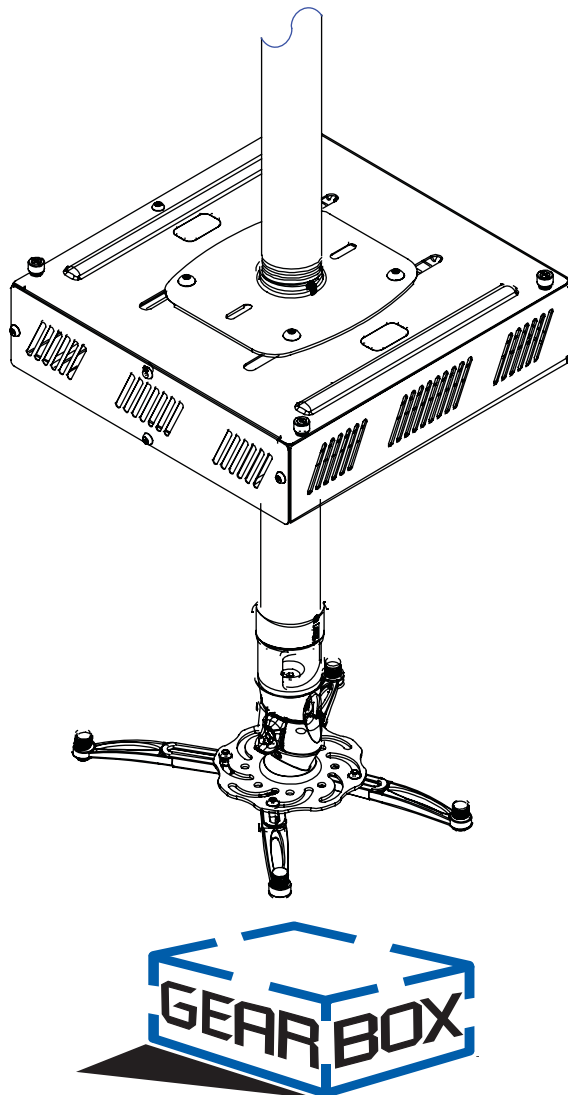


INSTALLATION INSTRUCTIONS



GB-PIPE1/GB-PIPE1B
Pipe-Mounted Equipment Enclosure

NORTH AMERICA

3130 East Miraloma Avenue
Anaheim, CA 92806 USA
USA and Canada –
Phone: 800-368-9700
Fax: 800-832-4888

EUROPE

Swallow House,
Shilton Industrial Estate,
Shilton, Coventry, England CV79JY
Phone: +44 (0) 2476 614700
Fax: +44 (0) 2476 614710

AUSTRALIA, NEW ZEALAND, OCEANIA (DISTRIBUTOR)

P.O. Box 295
Mordialloc Victoria 3195
Australia
Phone: 039586 6330
www.premiermounts.com.au


Other Locations – Phone: (001)-714-632-7100; Fax: (001)-714-632-1044
©Premier Mounts 2008
9534-004-003-00





Table of Contents

Warning Statements.....	2
Parts List.....	3
Installation Tools.....	3
GB-PIPE1 Installation.....	4
1-1/2" NPT Installation.....	5
PDS-PLUS Installation without NPT (Optional).....	6
Cable Connections.....	7
Side Panel Installation.....	7
Lateral Shift Adjustment.....	8
Technical Specifications.....	8
Warranty.....	9


Warning Statements

 PRIOR TO THE INSTALLATION OF THIS PRODUCT, THE INSTALLATION INSTRUCTIONS SHOULD BE READ AND COMPLETELY UNDERSTOOD. THE INSTALLATION INSTRUCTIONS MUST BE READ TO PREVENT PERSONAL INJURY AND PROPERTY DAMAGE. KEEP THESE INSTALLATION INSTRUCTIONS IN AN EASILY ACCESSIBLE LOCATION FOR FUTURE REFERENCE.


 PREMIER MOUNTS DOES NOT WARRANT AGAINST DAMAGE CAUSED BY THE USE OF ANY PREMIER MOUNTS PRODUCT FOR PURPOSES OTHER THAN THOSE FOR WHICH IT WAS DESIGNED OR DAMAGE CAUSED BY UNAUTHORIZED ATTACHMENTS OR MODIFICATIONS, AND IS NOT RESPONSIBLE FOR ANY DAMAGES, CLAIMS, DEMANDS, SUITS, ACTIONS OR CAUSES OF ACTION OF WHATEVER KIND RESULTING FROM, ARISING OUT OF OR IN ANY MANNER RELATING TO ANY SUCH USE, ATTACHMENTS OR MODIFICATIONS.


 THE SURFACE MUST BE CAPABLE OF SUPPORTING AT LEAST FIVE TIMES THE WEIGHT OF THE BOX. IF NOT, THE CEILING STRUCTURE MUST BE REINFORCED. THE MAXIMUM WEIGHT THAT CAN BE USED WITH THIS PRODUCT IS 75LBS. PROPER INSTALLATION PROCEDURE BY A QUALIFIED SERVICE TECHNICIAN, AS OUTLINED IN THE INSTALLATION INSTRUCTIONS, MUST BE ADHERED TO. FAILURE TO DO SO COULD RESULT IN SERIOUS PERSONAL INJURY, OR EVEN DEATH.

 SAFETY MEASURES MUST BE PRACTICED AT ALL TIMES DURING THE ASSEMBLY OF THIS PRODUCT. USE PROPER SAFETY GEAR AND TOOLS FOR THE ASSEMBLY PROCEDURE TO PREVENT PERSONAL INJURY.

 At least two qualified people should perform the assembly procedure. Injury and/or damage can result from dropping or mishandling the product.

 This product is intended for indoor use only. Use of this product outdoors could lead to product failure and personal injury.

 Do not install near sources of high heat. Do not install on a structure that is prone to vibration, movement or chance of impact

 Contact Premier Mounts with any questions
(800) 368-9700
techsupport@mounts.com

Parts List



This accessory is shipped with all proper installation hardware and components. Make sure that none of these parts are missing and/or damaged before beginning installation. If there are parts missing and/or damaged, please stop the installation and contact Premier Mounts (800-368-9700).

<p>Equipment Tray (Qty 1)</p>	<p>Upper Plate (Qty 1)</p>	<p>Side Panel (Qty 2)</p>
<p>M4 x 8mm Security Head Screw (Qty 10)</p>	<p>M8 x 12mm Security Head Screw (Qty 8)</p>	<p>M5 x 10mm Security Head Screw (Qty 4)</p>

Installation Tools

<p>M5 Security Wrench</p>	<p>M3 Security Wrench</p>
---------------------------	---------------------------

GB-PIPE1 Installation



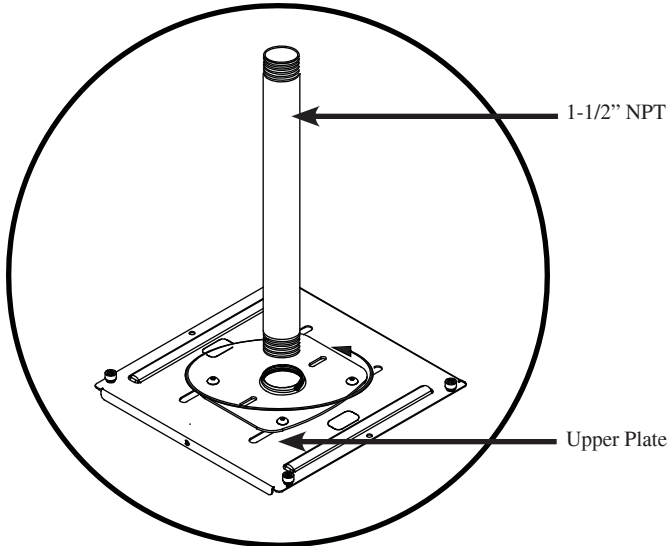
NOTE

The GB-PIPE1 is designed for use with either a standard piece of 1-1/2" NPT pipe or any available ceiling mount adapter from Premier Mounts. Please refer to the ceiling mount adapter installation instructions when mounting.



NOTE

Unpack the Gear Box and review any WARNING statements that apply to the installation. Select the desired location for the GB-PIPE1.



Step 1. Determine where the GB-PIPE1 will be located.

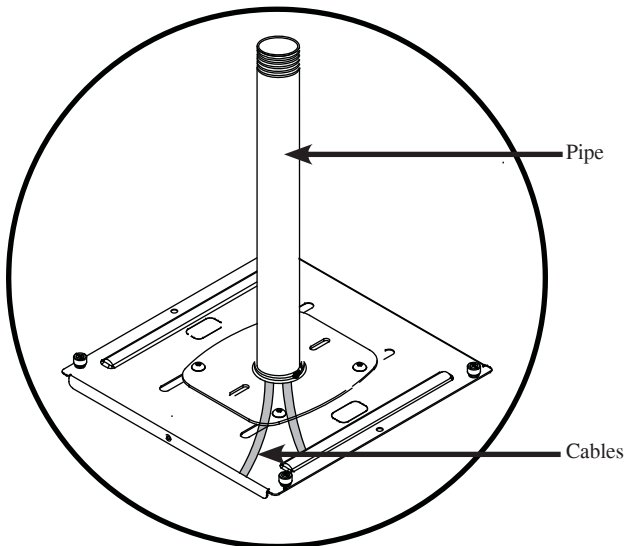
Step 2. Install your 1-1/2" NPT or ceiling adapter.

Step 3. Attach the upper plate to the NPT or adapter by rotating counter-clockwise.

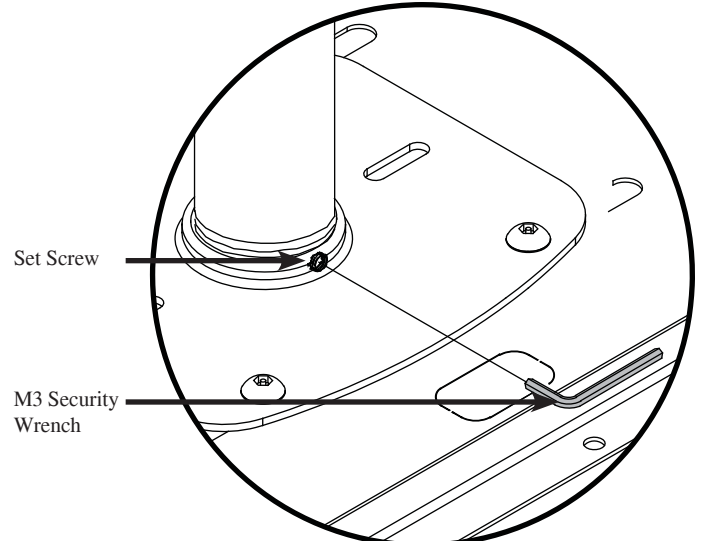


NOTE

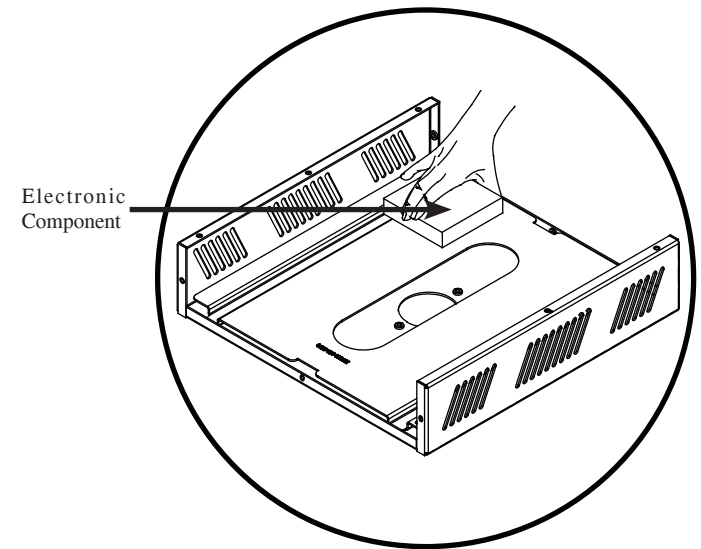
The upper plate must rotate onto the threads at least four (4) complete rotations.



Step 5. At this time, run all existing cables through the pipe and down through the upper plate.

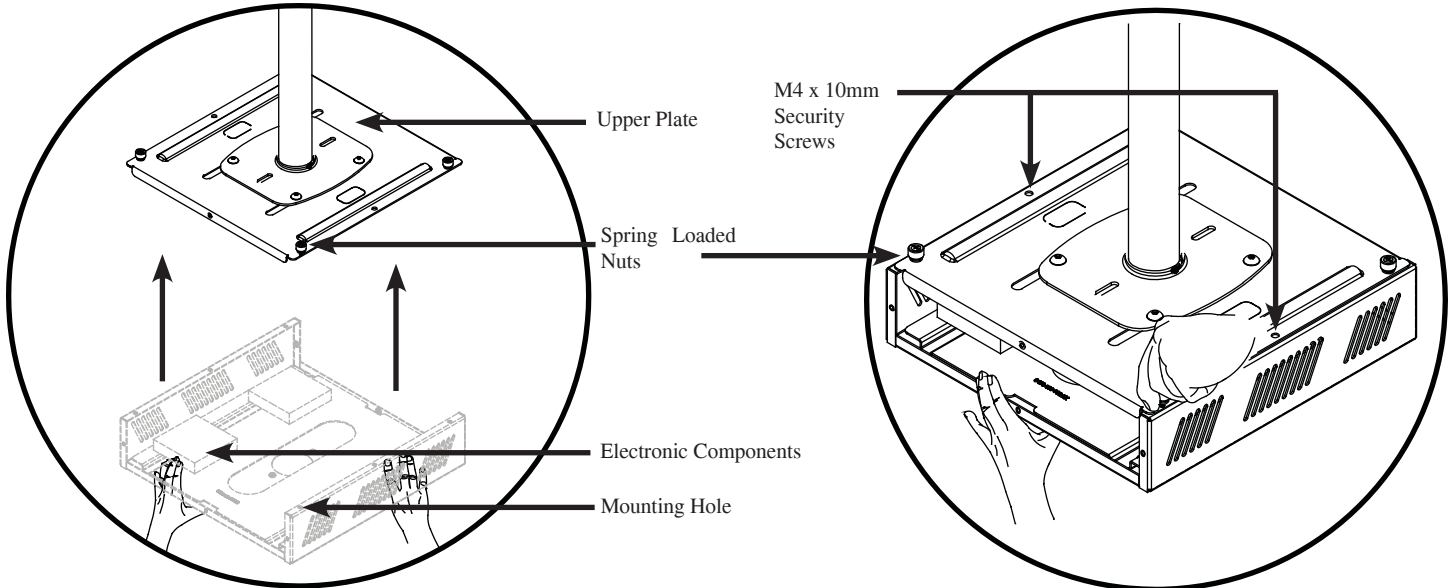


Step 4. Use an M3 security wrench to tighten the set screw.



NOTE

At this time, you may pre-install your electronic components in the equipment tray.



Step 6. Lift the equipment tray into position.

Step 7. Line up the mounting holes with the threaded shaft of the spring loaded nuts.

Step 8. Once the holes are lined up, press down on the spring loaded nuts and tighten.

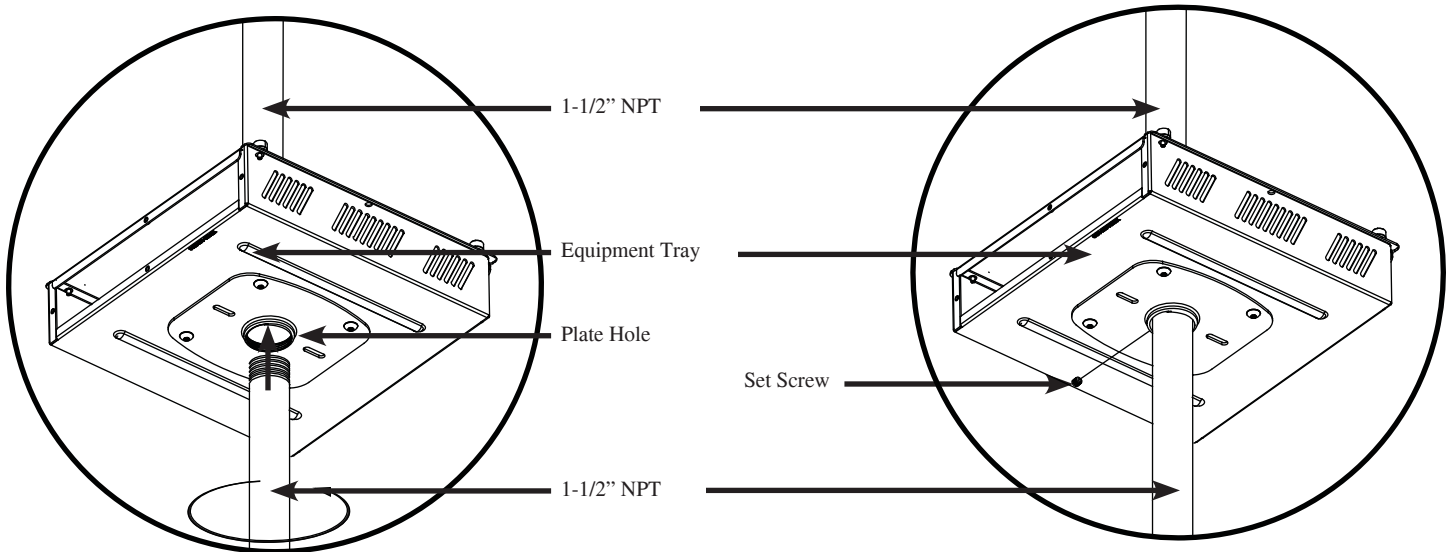
Step 9. Insert and tighten two (2) M4 x 10mm security screws on the upper plate.

1-1/2" NPT Installation



NOTE

Before attaching the lower 1-1/2" NPT, it is strongly recommended that all connections in the equipment tray be made at this time. Once the connections are made, feed the cables through the plate hole and then through the 1-1/2" NPT. Please read instructions below to complete the installation.



Step 1. Place the threaded end of the 1-1/2" NPT into the plate hole.



NOTE

The NPT must rotate onto the equipment tray four (4) complete rotations.

Step 2. Use an M3 security wrench to tighten the set screw.

Step 3. Attach projector mount to NPT.



NOTE

Please follow the instructions included with the mount to complete this step. If using a PDS Series mount, connection may be made directly to the bottom of the equipment tray.

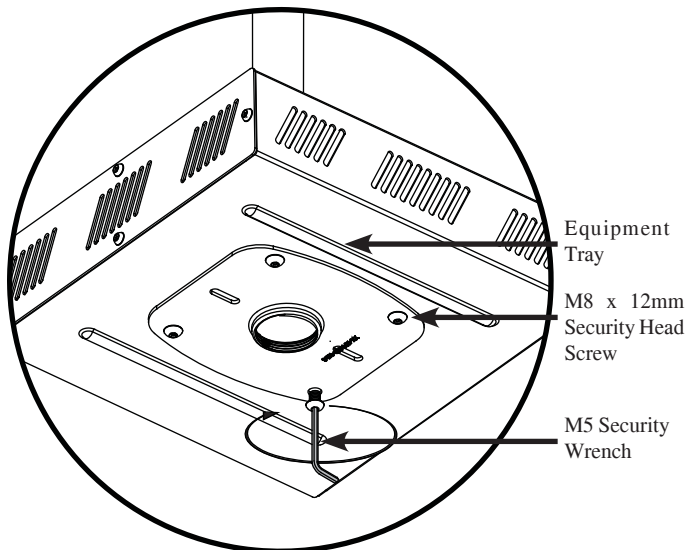
PDS-PLUS Installation without NPT (Optional)


NOTE

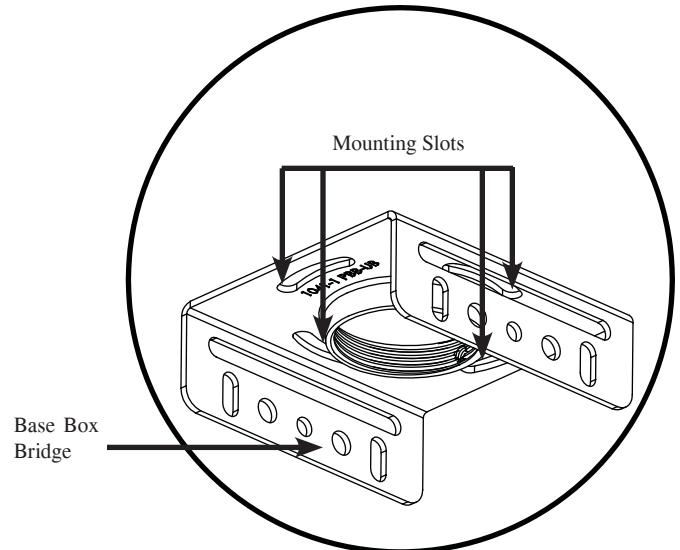
Before attaching the PDS-PLUS, it is strongly recommended that all connections in the equipment tray be made at this time. Once the connections are made, feed the cables through the plate hole and then through the 1-1/2" NPT. Please read instructions below to complete the installation.


NOTE

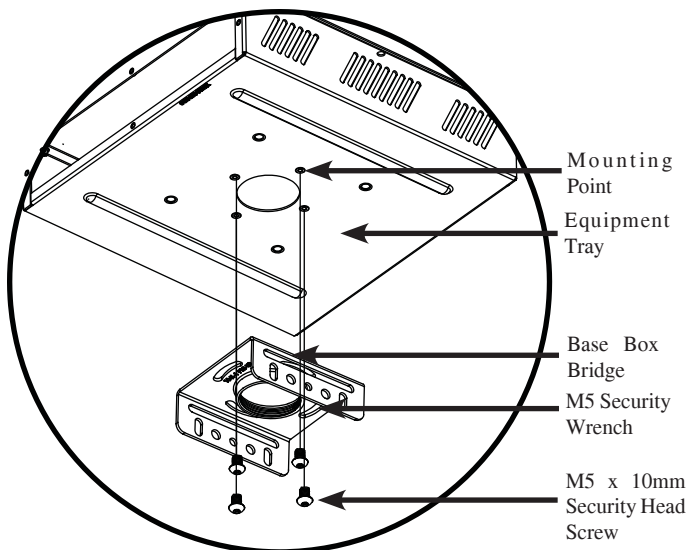
Please refer to the PDS-PLUS Installation Instructions before proceeding with the following steps.



Step 1. Remove the lower mounting plate from the equipment tray by removing the four (4) M8 x 12mm security head screws with an M5 security wrench.



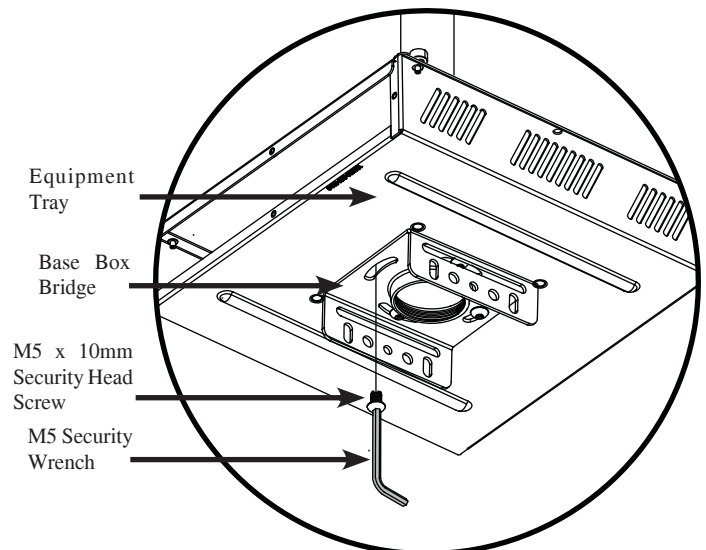
Step 2. Locate the mounting slots that are on the base box bridge of the PDS-PLUS.



Step 3. Line up the mounting slots on the base box bridge with the mounting points on the equipment tray.


NOTE

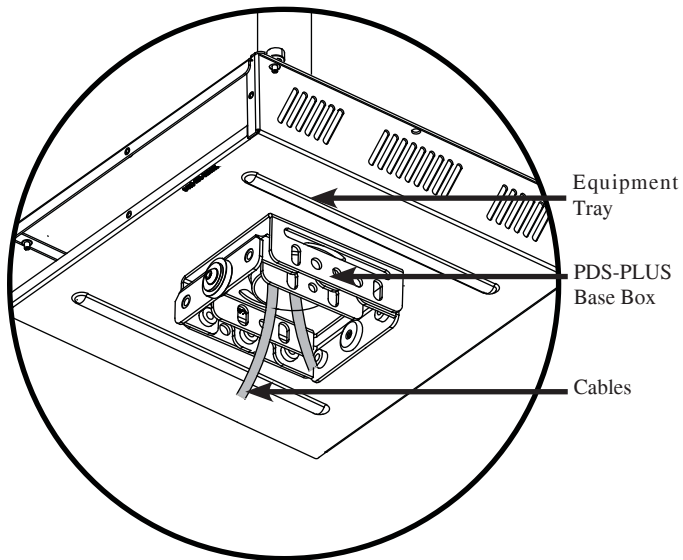
Be aware of the screen location and orient the base accordingly.



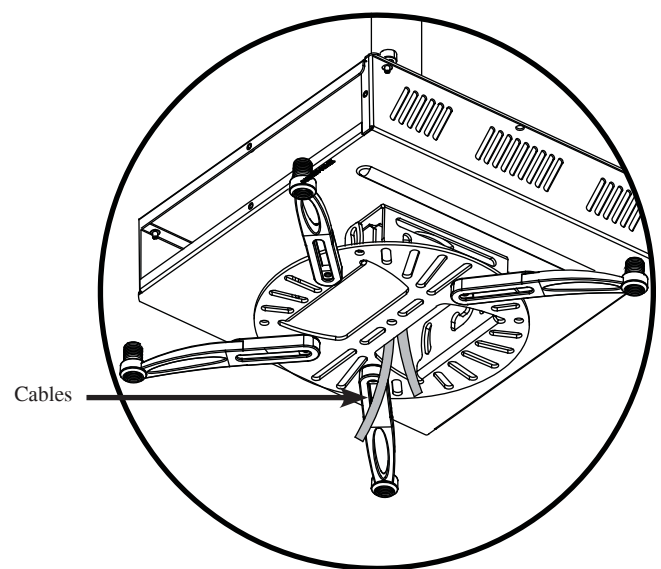
Step 4. Insert four (4) M5 x 10mm security screws and tighten using the M5 security wrench.

Cable Connections

NOTE Please refer to the PDS-PLUS Installation Instructions before proceeding with the following steps.



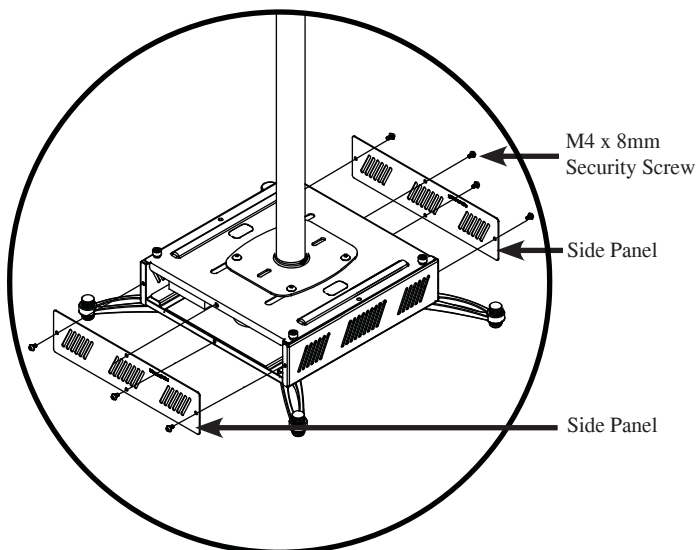
Step 1. Pull all cables down through the PDS-PLUS base box.



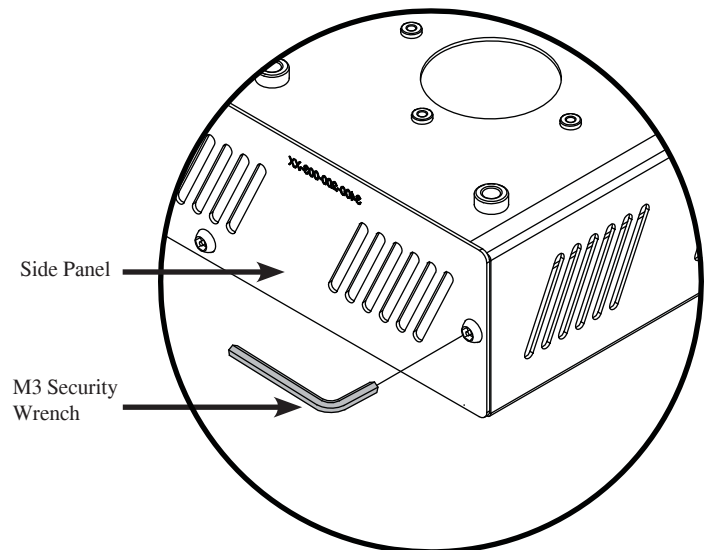
Step 2. Pull all cables down through the PDS-PLUS projector plate.

Step 3. Attach all cables to the installed projector.

Side Panel Installation

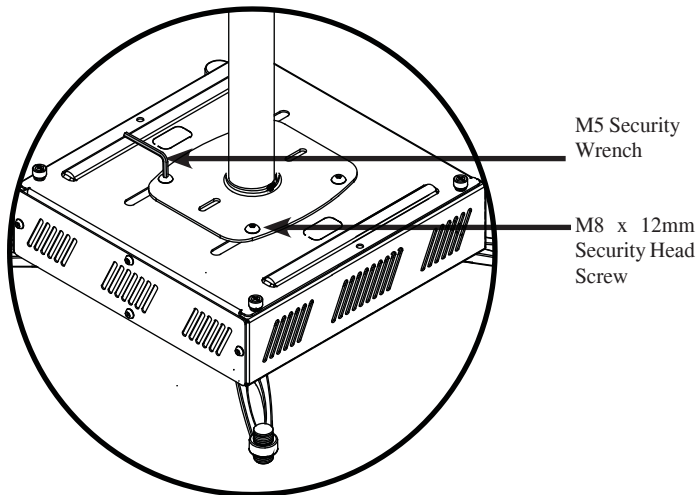


Step 1. Attach the two side panels using eight (8) M4 x 8mm security screws.



Step 2. Tighten these screws using the M5 security wrench.

Lateral Shift Adjustment



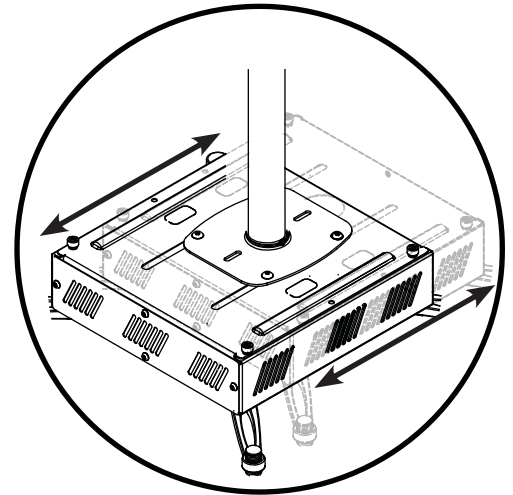
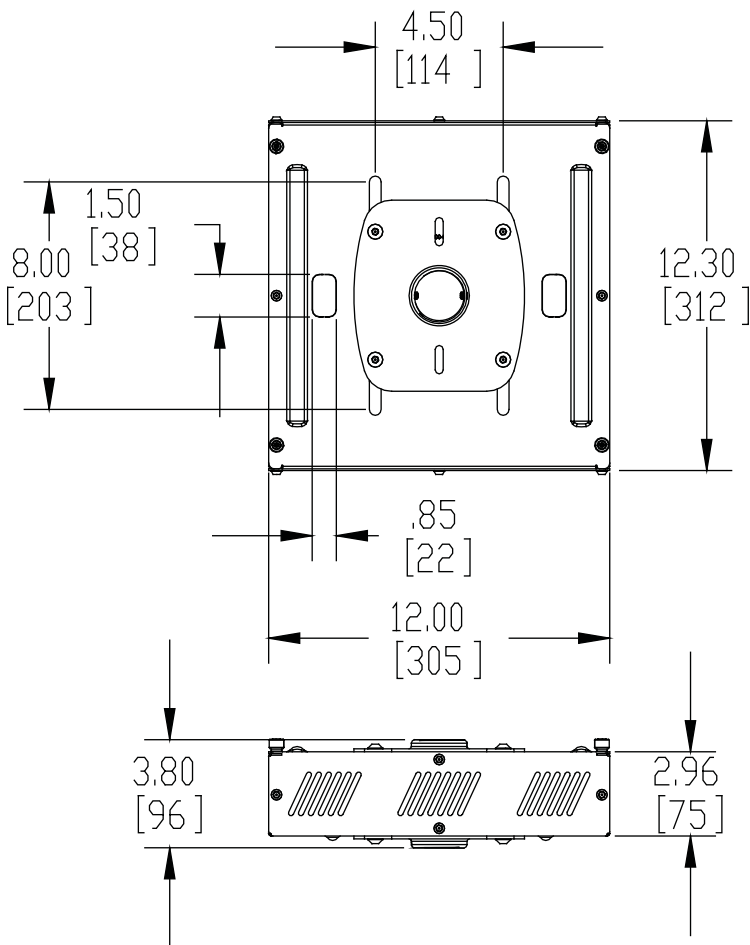
Step 1. Use the M5 security wrench and loosen the four (4) M8 x 12mm security screws.



Do not completely remove these screws.

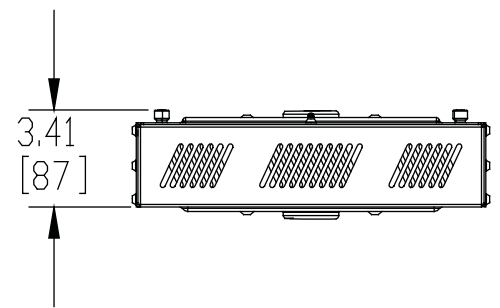
Technical Specifications

All measurements are in inches(mm).



Step 2. Once the screws have been loosened, slide the GB-PIPE1 laterally side to side (or front to back).

Step 3. When the desired position has been determined, use the M5 security wrench to tighten the M8 x 12mm security screws.



Warranty

PREMIER MOUNTS LIMITED LIFETIME WARRANTY

What and Who is Covered by this Limited Warranty and for How Long

Premier Mounts warrants this product to be free from defects in material and workmanship for the lifetime of the original owner of this product. The limited warranty is valid only for the original purchaser of the product.

What Premier Mounts Will Do

At the sole option of Premier Mounts, Premier Mounts will repair or replace any product or product part that is defective. If Premier Mounts chooses to replace a defective product or part, a replacement product or part will be shipped to you at no charge, but you must pay any labor costs.

What is Not Covered; Limitations

PREMIER MOUNTS DISCLAIMS ANY LIABILITY FOR DAMAGE TO MOUNTS, ADAPTERS, DISPLAYS, PROJECTORS, OTHER PROPERTY, OR PERSONAL INJURY RESULTING, IN WHOLE OR IN PART, FROM IMPROPER INSTALLATION, MODIFICATION, USE OR MISUSE OF ITS PRODUCTS.

PREMIER MOUNTS DISCLAIMS ALL OTHER WARRANTIES, EXPRESS OR IMPLIED, INCLUDING WARRANTIES OF MERCHANTABILITY AND FITNESS FOR A PARTICULAR PURPOSE. PREMIER MOUNTS IS NOT RESPONSIBLE FOR INCIDENTAL OR CONSEQUENTIAL DAMAGES, INCLUDING BUT NOT LIMITED TO, INABILITY TO USE ITS PRODUCTS OR LABOR COSTS FOR REMOVING AND REPLACING DEFECTIVE PRODUCTS OR PARTS. SOME STATES DO NOT ALLOW THE EXCLUSION OR LIMITATION OF INCIDENTAL OR CONSEQUENTIAL DAMAGES, SO THE ABOVE LIMITATION OR EXCLUSION MAY NOT APPLY TO YOU.

What Customers Must Do for Limited Warranty Service

If you discover a problem that you think may be covered by the warranty you **MUST REPORT** it in writing to the address below within thirty (30) days. Proof of purchase (an original sales receipt) from the original consumer purchaser must accompany all warranty claims. Warranty claims must also include a description of the problem, the purchaser's name, address, and telephone number. General inquiries can be addressed to Premier Mounts Customer Service at 1-800-368-9700. Warranty claims will not be accepted over the phone or by fax.

Premier Mounts
Attn: Warranty Claim
3130 East Miraloma Ave.
Anaheim, CA 92806

How State Law Applies

THIS WARRANTY GIVES YOU SPECIFIC LEGAL RIGHTS, AND YOU MAY ALSO HAVE OTHER RIGHTS WHICH VARY FROM STATE TO STATE.

Free Manuals Download Website

<http://myh66.com>

<http://usermanuals.us>

<http://www.somanuals.com>

<http://www.4manuals.cc>

<http://www.manual-lib.com>

<http://www.404manual.com>

<http://www.luxmanual.com>

<http://aubethermostatmanual.com>

Golf course search by state

<http://golfingnear.com>

Email search by domain

<http://emailbydomain.com>

Auto manuals search

<http://auto.somanuals.com>

TV manuals search

<http://tv.somanuals.com>