

PRODUCT CATEGORY ► GearBox™ A/V Equipment Cages

Lockable Projector Mount

The GB-SEC1 security mount adapts to any 1.5" NPT and features a unique slot pattern that fits more projector mounting-hole patterns than competitive products, with no need for drilling extra holes or mounting the projector crooked to match the slots.

The GB-SEC1 also features a larger interior tray which allows installers/integrators to house cabling and other A/V interface equipment in a secure enclosure.

The only security mount on the market to offer lateral shift and a recessed barrel lock, the GB-SEC1 is also backed by Premier Mounts' exclusive limited lifetime warranty.

- Adapts to standard 1.5" NPT
- Works with projectors up to 65lbs.
- +/-6° tilt/roll; 360° yaw
- Projector mounts directly to lower tray via unique slotted pattern
- Up to 2" of lateral shift in either direction
- Slide-in tray for fast, one-person installation
- Over 300 cu. in. of interior space to house cables and A/V equipment
- Theft-resistant hardware and steel barrel lock secures projector and A/V interface equipment in place
- Also available in white (GB-SEC1W)
- Lifetime warranty

Model: GB-SEC1B (black)
Model: GB-SEC1W (white)
Fits: Projectors up to 65lbs. and A/V equipment



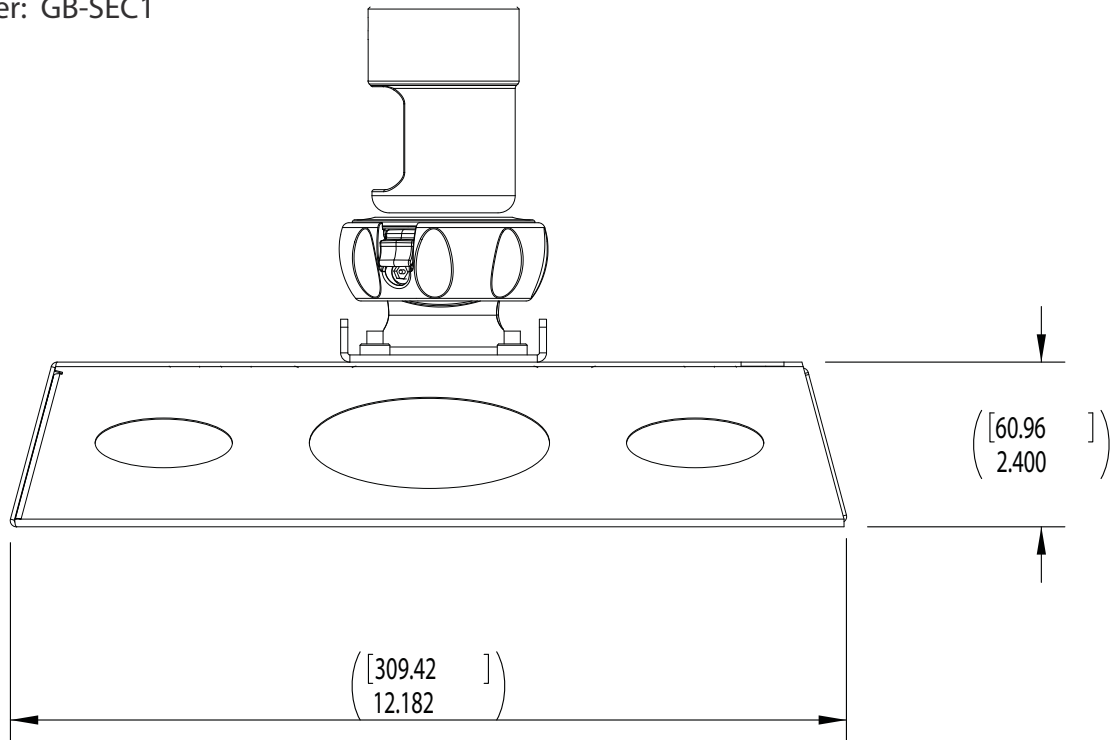
Heavy duty steel-barrel lock keeps projector and A/V equipment safe and secure.



Projector attaches directly to GB-SEC1 through slots. Lower tray slides out for easy access to equipment once installed.

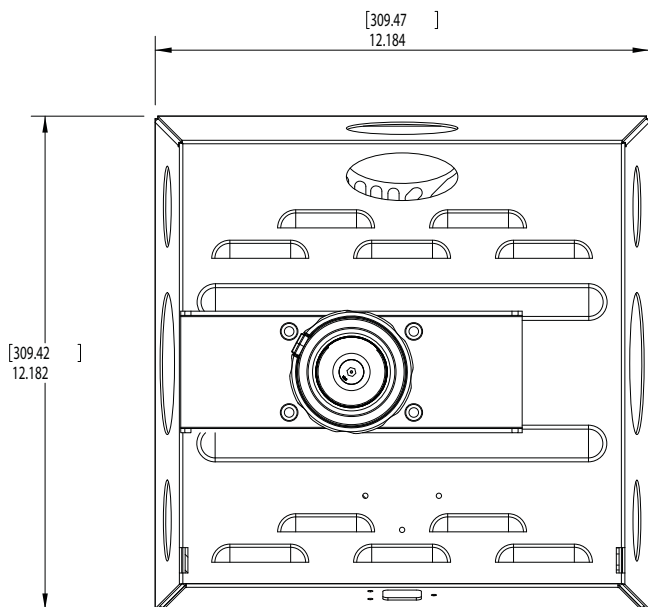


Part Number: GB-SEC1

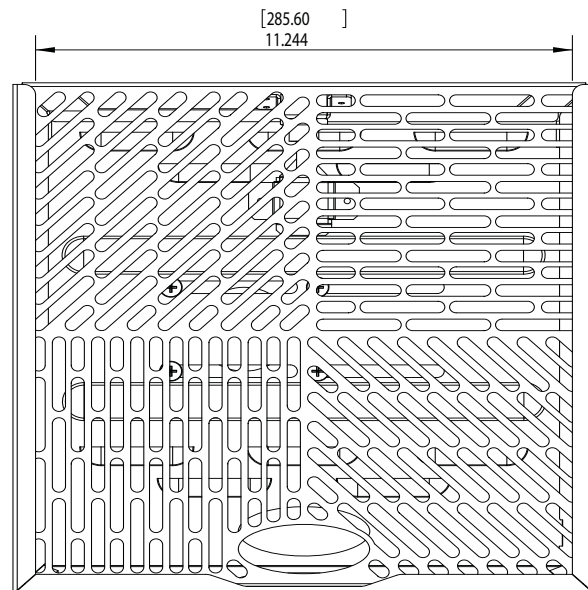


Side View

Top View



Bottom View



Dimensions are in inches and millimeters [mm].
Drawings are subject to change without notice.

Free Manuals Download Website

<http://myh66.com>

<http://usermanuals.us>

<http://www.somanuals.com>

<http://www.4manuals.cc>

<http://www.manual-lib.com>

<http://www.404manual.com>

<http://www.luxmanual.com>

<http://aubethermostatmanual.com>

Golf course search by state

<http://golfingnear.com>

Email search by domain

<http://emailbydomain.com>

Auto manuals search

<http://auto.somanuals.com>

TV manuals search

<http://tv.somanuals.com>