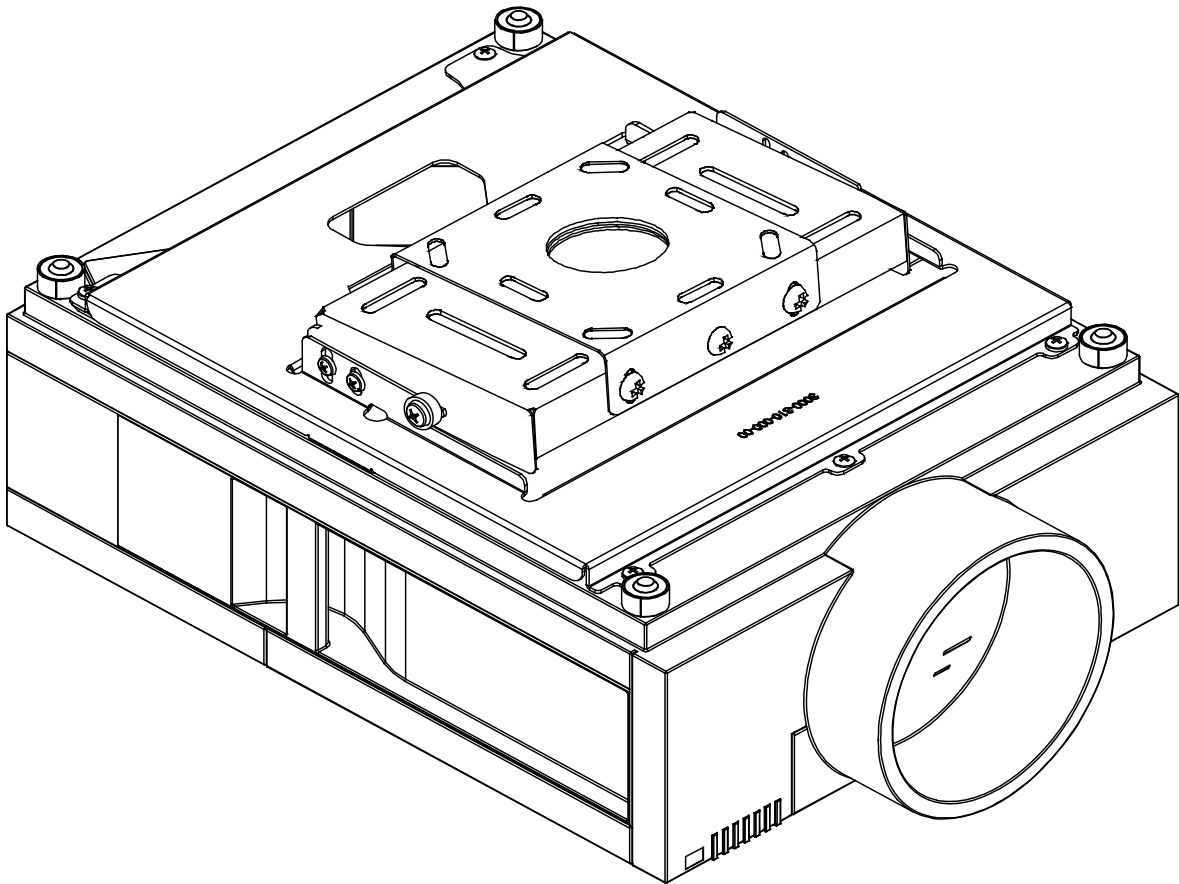


INSTALLATION INSTRUCTIONS



PBM-070L

NORTH AMERICA

3130 East Miraloma Avenue
Anaheim, CA 92806 USA
USA and Canada –
Phone: 800-368-9700
Fax: 800-832-4888

Other Locations – Phone: (001)-714-632-7100; Fax: (001)-714-632-1044

©Premier Mounts 2008

EUROPE

Swallow House,
Shilton Industrial Estate,
Shilton, Coventry, England CV79JY
Phone: +44 (0) 2476 614700
Fax: +44 (0) 2476 614710

AUSTRALIA, NEW ZEALAND, OCEANIA (DISTRIBUTOR)

P.O. Box 295
Mordialloc Victoria 3195
Australia
Phone: 039586 6330
www.premiermounts.com.au

9530-007-003-00



Table of Contents

WARNING STATEMENTS - 2 -

PARTS LIST - 3 -

INSTALLATION TOOLS - 3 -

PROJECTOR BRACKET INSTALLATION..... - 4 -

CEILING INSTALLATION..... - 5 -

PROJECTOR ADJUSTMENT - 7 -

TECHNICAL SPECIFICATIONS - 8 -

WARRANTY - 9 -

Warning Statements



THE CEILING STRUCTURE MUST BE CAPABLE OF SUPPORTING AT LEAST FIVE (5) TIMES THE WEIGHT OF THE PROJECTOR. IF NOT, THE CEILING MUST BE REINFORCED. PROPER INSTALLATION PROCEDURE BY A QUALIFIED SERVICE TECHNICIAN, AS OUTLINED IN THE INSTALLATION INSTRUCTIONS, MUST BE ADHERED TO. FAILURE TO DO SO COULD RESULT IN SERIOUS PERSONAL INJURY, OR EVEN DEATH. THE MAXIMUM WEIGHT THAT CAN BE USED WITH THIS PROJECTOR IS 200LBS.



SAFETY MEASURES MUST BE PRACTICED AT ALL TIMES DURING THE INSTALLATION OF THIS PRODUCT. USE PROPER SAFETY GEAR AND TOOLS FOR THE INSTALLATION PROCEDURE TO PREVENT PERSONAL INJURY.



PRIOR TO THE INSTALLATION OF THIS PRODUCT, THE INSTALLATION INSTRUCTIONS SHOULD BE READ AND COMPLETELY UNDERSTOOD. THE INSTALLATION INSTRUCTIONS MUST BE READ TO PREVENT PERSONAL INJURY AND PROPERTY DAMAGE. KEEP THESE INSTALLATION INSTRUCTIONS IN AN EASILY ACCESSIBLE LOCATION FOR FUTURE REFERENCE.



Indicates that the power plug is to be disconnected from the power outlet.



Contact Premier Mounts with any questions – 800-368-9700.



Safety precautions must be taken at all times.



Warning and Caution statements.



A secure structure must support the weight, or load, of the projector. When mounting to a ceiling that contains wooden studs, dead center of the wooden stud must be confirmed prior to installation.



Do not install on a structure that is prone to vibration, movement or chance of impact. Failure to do so could result in damage to the projector and/or damage to the mounting surface.



Do not install near heater, fireplace, direct sunlight, air conditioning or any other source of direct heat energy. Failure to do so may result in damage to the projector and could increase the risk of fire.



At least two qualified people should perform the installation procedure. Injury and/or damage can result from dropping or mishandling the projector.



Recommended mounting surfaces: wooden studs and solid-flat concrete. If the mount is to be installed on any surface other than wooden studs, use suitable hardware (which is commercially available).

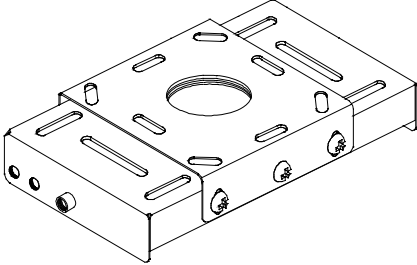
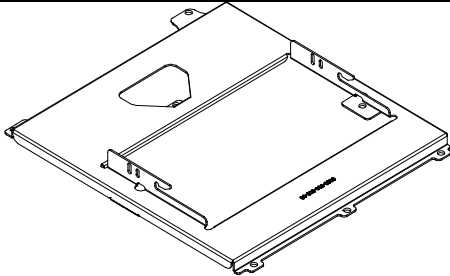




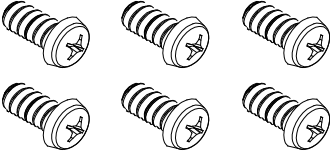


Parts List

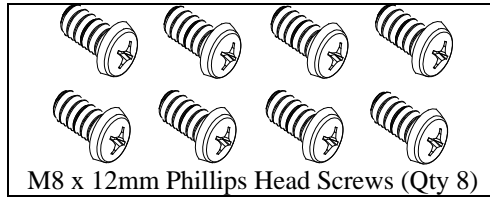


Note

This mount is shipped with all proper installation hardware and components. Make sure that none of these parts are missing and/or damaged before beginning installation. If there are parts missing and/or damaged, please stop the installation and contact Premier Mounts 800-368-9700.

			
Base Box (Qty 1)		Projector Bracket(Qty 1)	
			
Jam Nut (Qty 1)	M6 x 6mm Set Screw (Qty 1)	Nylon Spacers (Qty 2)	
			
1/4" Flat Washers (Qty 2)	M6 x 12mm Phillips Head Screws (Qty 6)		

Projector Bracket Hardware



Installation Tools

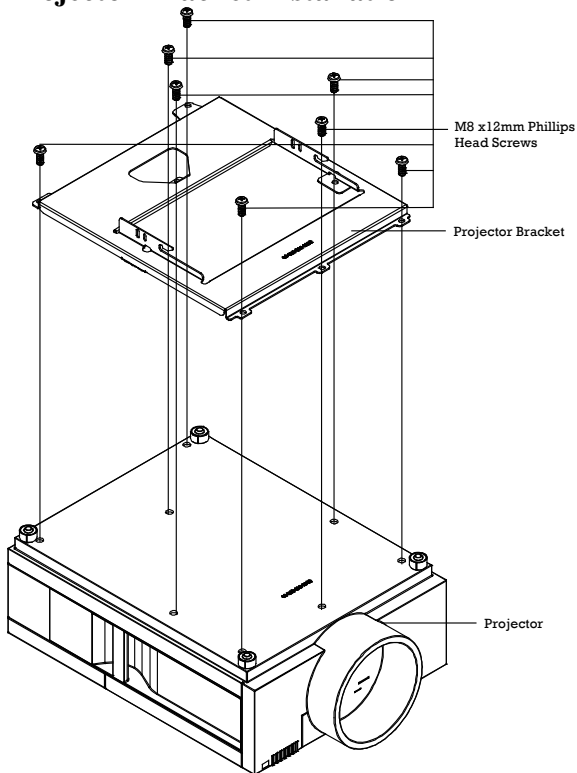
Soft Material/Blanket
 Pencil
 Tape Measure

Portable Drill
 Finder (Commercially Available)
 Phillips Head Screw Driver

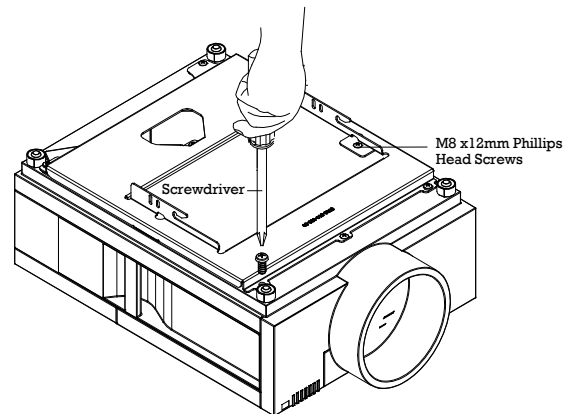
M3 Allen Wrench (Supplied)
 Level
 Ladder



Projector Bracket Installation



- Step 1.** Invert the projector and place it on a soft and flat surface. Remove any foot levelers that might possibly prevent the correct installation of the bracket.
- Step 2.** Locate the eight mounting points located on the bottom of the projector.
- Step 3.** Line up the mounting points on the projector with the mounting holes on the mounting bracket.



- Step 1.** Using a screwdriver, secure the mounting bracket using eight (8) M8 x 12mm Phillips Head screws.



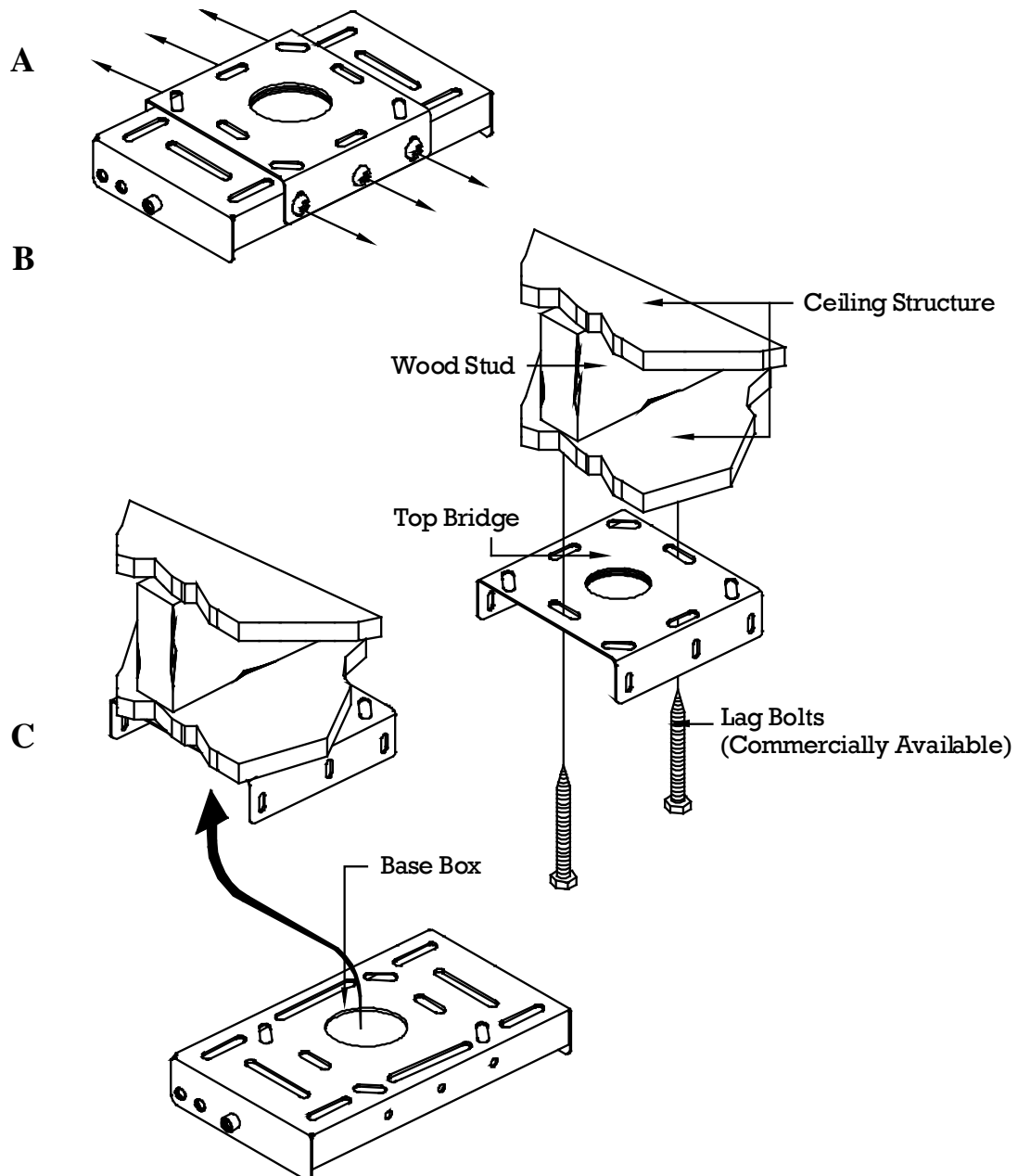
Caution

Do not over-tighten these screws. Over-tightening the screws may result in damaging the threaded inserts on the projector.



Ceiling Installation

- Step 1.** Separate the top bridge from the base box by removing the six (6) M6 x 12 mm screws that are located on the base box, three on each side (A).
- Step 2.** Secure the top bridge to the ceiling structure at this time (see warning label) using commercially available hardware (B).
- Step 3.** Use the two (2) middle slot openings for single wood stud mounting. All other mounting points on the top bridge may be used depending on your installation application (B).
- Step 4.** Replace the base box to the secured top bridge and secure with the six M6 x 12 mm screws (C).

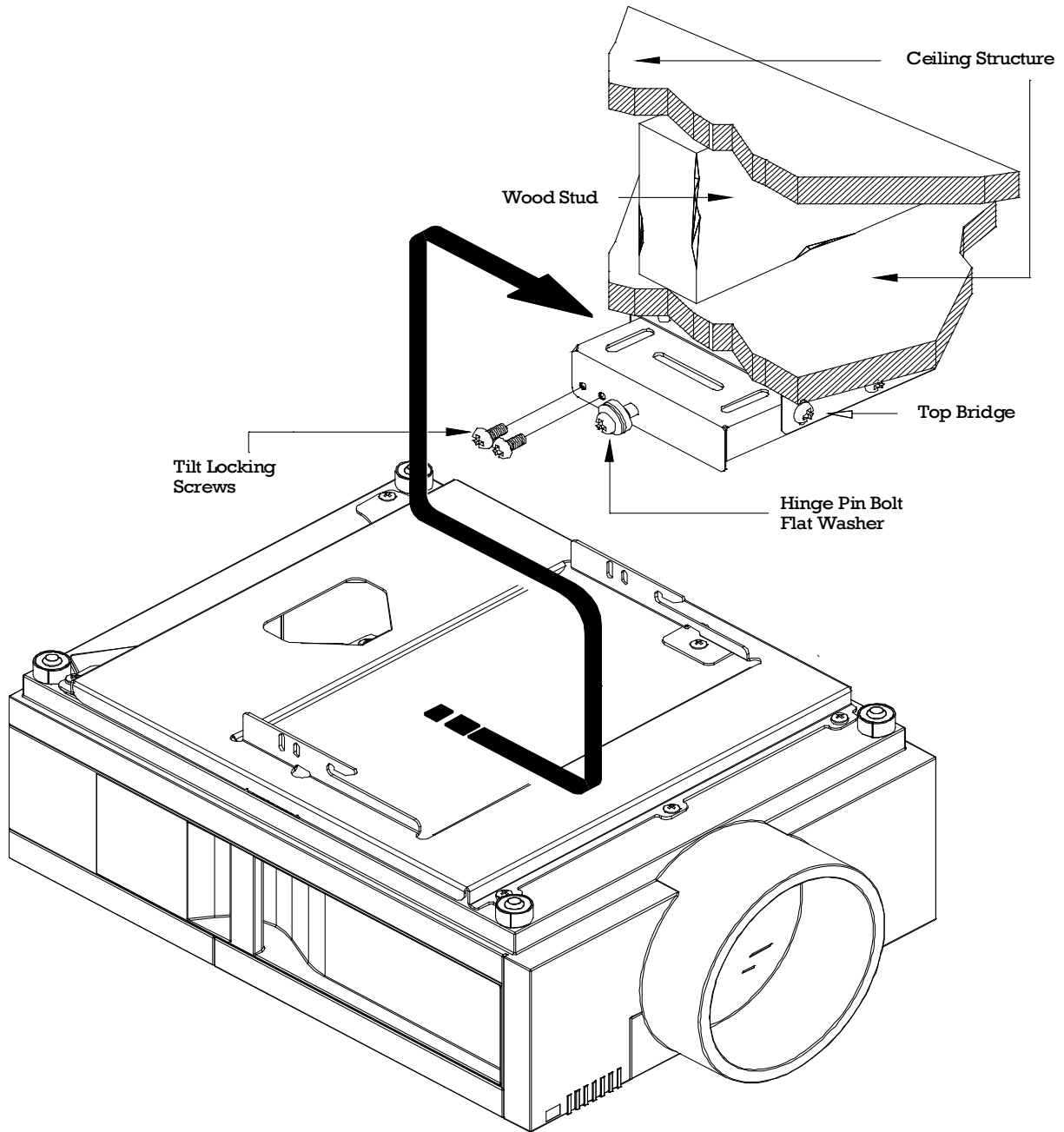




- Step 5.** Loosely install the hinge pin screws, flat washer and nylon spacer to each side of the base box.
- Step 6.** Slide the nylon spacer and the flat washer to the back of the screws.
- Step 7.** Raise the mounting bracket and attached projector to the base box and insert the hinge-pins through the hinge-pin openings.
- Step 8.** Tighten the hinge pin screws.
- Step 9.** Determine the viewing angle. Once the viewing angle has been determined, insert and tighten the four (4) tilt locking screws.



Caution Do not over-tighten the screws.





Note If installing a PBM-070L from the ceiling structure, please refer to the installation instructions that are included with those mounts.

- Step 10.** Install the jam screw all the way up to the end of the threads of the threaded PBM-070L.
- Step 11.** Screw in the 1/2" bridge opening to the PBM-070L all the way up to the jam screw.
- Step 12.** Tighten the jam screw and the base box together.
- Step 13.** Loosely install the hinge pin screws, flat washer and conical spacer to each side of the base box.
- Step 14.** Slide the conical spacer and the flat washer to the back of the screws.
- Step 15.** Raise the projector mount, attached to the projector's chassis, and insert the hinge-pins through the hinge-pin openings.
- Step 16.** Raise the rear of the projector and install the four (4) M6 x 12 mm tilt locking screws to the rear of the base box; adjust the tilt and lock it.
- Step 17.** Tighten the two (2) M6 x 12 mm hinge pin screws.
- Step 18.** At this time, use the M3 Allen wrench to tighten the M6 x 6mm set screw.

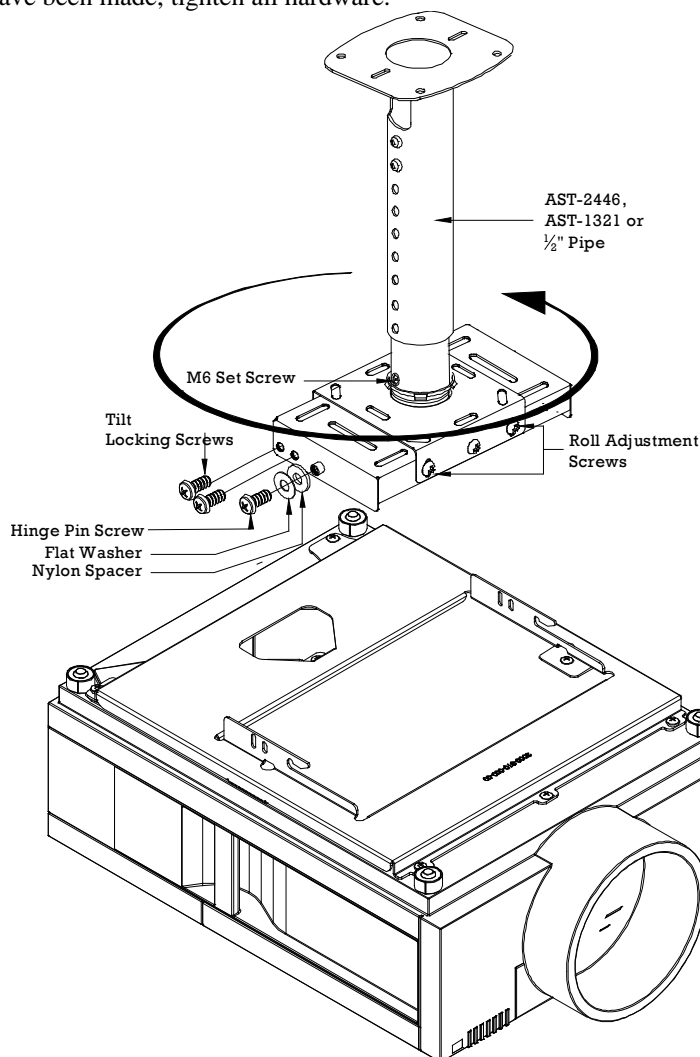
Projector Adjustment

- Step 1.** You can adjust the roll of the projector by loosening the three (3) front and rear M6 x 12mm screws.



Caution Do not over-tighten the screws.

- Step 2.** Set the desired roll and then tighten the screws. First tighten the center screws and work your way to the outside screws, making any final adjustments prior to tightening the last two screws.
- Step 3.** You can adjust the tilt of the projector by loosening the four (4) M6 x 12mm screws (two on each side of the base box).
- Step 4.** Set the desired tilt and then tighten the screws, making any final adjustments prior to tightening the last two screws.
- Step 5.** Once all adjustments have been made, tighten all hardware.



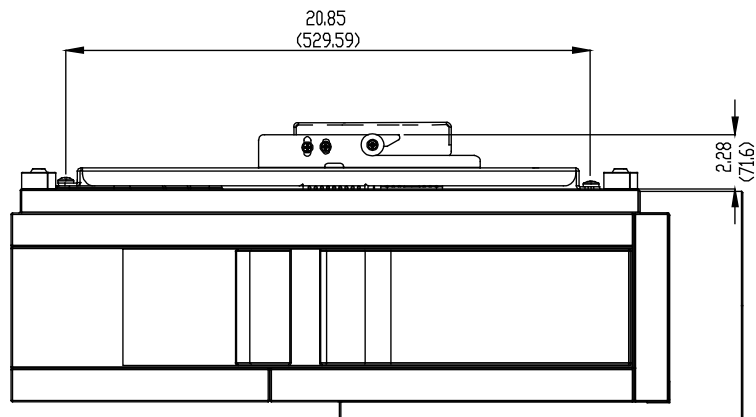
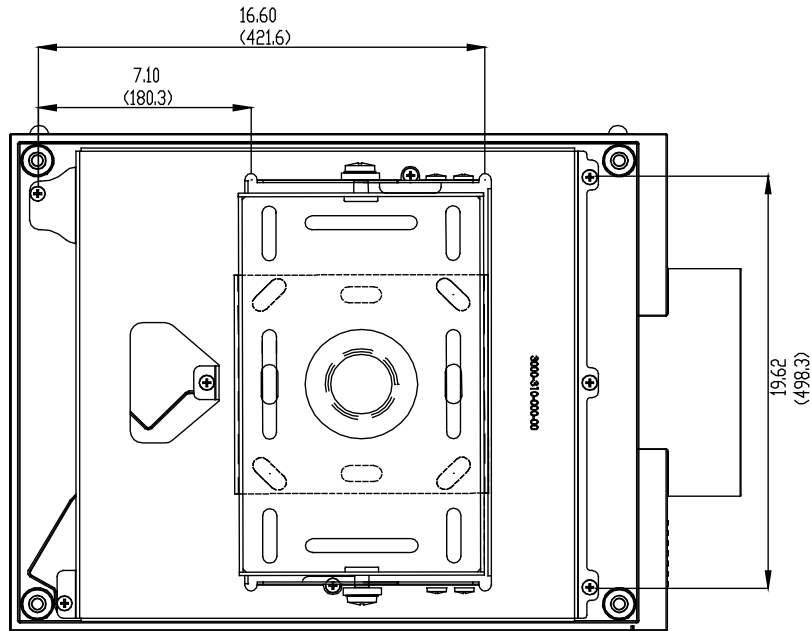


Technical Specifications

All measurements are inches (mm).

All base boxes feature the following adjustments to facilitate ease of installation:

- A. Tilt of $\pm 6^\circ$ from center
- B. Roll of $\pm 3^\circ$ from center
- C. Yaw of $\pm 360^\circ$ when used with 1 1/2" or 1" mount threaded pipe
- D. Direct mating with standard 1 1/2" and 1" mount threaded pipe





Warranty

PREMIER MOUNTS LIMITED LIFETIME WARRANTY

What and Who is Covered by this Limited Warranty and for How Long

Premier Mounts warrants this product to be free from defects in material and workmanship for the lifetime of the original installation of this product. The limited warranty is valid only for the original purchaser of the product.

What Premier Mounts Will Do

At the sole option of Premier Mounts, Premier Mounts will repair or replace any product or product part that is defective. If Premier Mounts chooses to replace a defective product or part, a replacement product or part will be shipped to you at no charge, but you must pay any labor costs.

What is Not Covered; Limitations

PREMIER MOUNTS DISCLAIMS ANY LIABILITY FOR DAMAGE TO MOUNTS, ADAPTERS, DISPLAYS, PROJECTORS, OTHER PROPERTY, OR PERSONAL INJURY RESULTING, IN WHOLE OR IN PART, FROM IMPROPER INSTALLATION, MODIFICATION, USE OR MISUSE OF ITS PRODUCTS.

PREMIER MOUNTS DISCLAIMS ALL OTHER WARRANTIES, EXPRESS OR IMPLIED, INCLUDING WARRANTIES OF MERCHANTABILITY AND FITNESS FOR A PARTICULAR PURPOSE. PREMIER MOUNTS IS NOT RESPONSIBLE FOR INCIDENTAL OR CONSEQUENTIAL DAMAGES, INCLUDING BUT NOT LIMITED TO, INABILITY TO USE ITS PRODUCTS OR LABOR COSTS FOR REMOVING AND REPLACING DEFECTIVE PRODUCTS OR PARTS. SOME STATES DO NOT ALLOW THE EXCLUSION OR LIMITATION OF INCIDENTAL OR CONSEQUENTIAL DAMAGES, SO THE ABOVE LIMITATION OR EXCLUSION MAY NOT APPLY TO YOU.

What Customers Must Do for Limited Warranty Service

If you discover a problem that you think may be covered by the warranty you **MUST REPORT** it in writing to the address below within thirty (30) days. Proof of purchase (an original sales receipt) from the original consumer purchaser must accompany all warranty claims. Warranty claims must also include a description of the problem, the purchaser's name, address, and telephone number. General inquiries can be addressed to Premier Mounts Customer Service at 1-800-368-9700. Warranty claims will not be accepted over the phone or by fax.

Premier Mounts
Attn: Warranty Claim
3130 E. Miraloma Avenue
Anaheim, CA 92806

How State Law Applies

THIS WARRANTY GIVES YOU SPECIFIC LEGAL RIGHTS, AND YOU MAY ALSO HAVE OTHER RIGHTS WHICH VARY FROM STATE TO STATE.

Free Manuals Download Website

<http://myh66.com>

<http://usermanuals.us>

<http://www.somanuals.com>

<http://www.4manuals.cc>

<http://www.manual-lib.com>

<http://www.404manual.com>

<http://www.luxmanual.com>

<http://aubethermostatmanual.com>

Golf course search by state

<http://golfingnear.com>

Email search by domain

<http://emailbydomain.com>

Auto manuals search

<http://auto.somanuals.com>

TV manuals search

<http://tv.somanuals.com>