

## INSTALLATION INSTRUCTIONS



### **PRC** LCD Ceiling Mount

---

#### **NORTH AMERICA**

3130 East Miraloma Avenue  
Anaheim, CA 92806 USA  
USA and Canada –  
Phone: 800-368-9700  
Fax: 800-832-4888

#### **EUROPE**

Swallow House,  
Shilton Industrial Estate,  
Shilton, Coventry, England CV79JY  
Phone: +44 (0) 2476 614700  
Fax: +44 (0) 2476 614710

#### **AUSTRALIA, NEWZEALAND, OCEANIA (DISTRIBUTOR)**

P.O. Box 295  
Mordialloc Victoria 3195  
Australia  
Phone: 03 9586 63 30  
[www.premiermounts.com.au](http://www.premiermounts.com.au)

Other Locations – Phone: (001)-714-632-7100; Fax: (001)-714-632-1044

©Premier Mounts 2008



### Table of Contents

Parts List ..... - 3 -  
 Installation Tools ..... - 3 -  
 AST-2446 Installation ..... - 5 -  
 PRC Installation ..... - 6 -  
 Display Installation ..... - 6 -  
 UFP-220 Adapter Plate (Optional Installation) ..... - 7 -  
 Tension Adjustment ..... - 7 -  
 Technical Specifications ..... - 7 -  
 Warranty ..... - 8 -



PREMIER MOUNTS DOES NOT WARRANT AGAINST DAMAGE CAUSED BY THE USE OF ANY PREMIER MOUNTS PRODUCT FOR PURPOSES OTHER THAN THOSE FOR WHICH IT WAS DESIGNED OR DAMAGE CAUSED BY UNAUTHORIZED ATTACHMENTS OR MODIFICATIONS, AND IS NOT RESPONSIBLE FOR ANY DAMAGES, CLAIMS, DEMANDS, SUITS, ACTIONS OR CAUSES OF ACTION OF WHATEVER KIND RESULTING FROM, ARISING OUT OF OR IN ANY MANNER RELATING TO ANY SUCH USE, ATTACHMENTS OR MODIFICATIONS.



THE CEILING STRUCTURE MUST BE CAPABLE OF SUPPORTING AT LEAST FIVE TIMES THE MONITORS WEIGHT. IF NOT, THE WALL STRUCTURE MUST BE REINFORCED. PROPER INSTALLATION PROCEDURE BY A QUALIFIED SERVICE TECHNICIAN, AS OUTLINED IN THE INSTALLATION INSTRUCTIONS, MUST BE ADHERED TO. FAILURE TO DO SO COULD RESULT IN SERIOUS PERSONAL INJURY, OR EVEN DEATH.



SAFETY MEASURES MUST BE PRACTICED AT ALL TIMES DURING THE INSTALLATION OF THIS PRODUCT. USE PROPER SAFETY GEAR AND TOOLS FOR THE INSTALLATION PROCEDURE TO PREVENT PERSONAL INJURY.



PRIOR TO THE INSTALLATION OF THIS PRODUCT, THE INSTALLATION INSTRUCTIONS SHOULD BE READ AND COMPLETELY UNDERSTOOD. THE INSTALLATION INSTRUCTIONS MUST BE READ TO PREVENT PERSONAL INJURY AND PROPERTY DAMAGE. KEEP THESE INSTALLATION INSTRUCTIONS IN AN EASILY ACCESSIBLE LOCATION FOR FUTURE REFERENCE.



Indicates that the power plug is to be disconnected from the power outlet.



Contact Premier Mounts with any questions – (800) 368-9700.



Safety precautions must be taken at all times.



Warning and Caution statements.



Do not install on a structure that is prone to vibration, movement or chance of impact. Failure to do so could result in damage to the flat panel display and/or damage to the mounting surface.



Do not install near heater, fireplace, direct sunlight, air conditioning or any other source of direct heat energy. Failure to do so may result in damage to the flat panel display and could increase the risk of fire.



At least two qualified people should perform the installation procedure. Injury and/or damage can result from dropping or mishandling the flat panel display.



### Parts List



**NOTE**

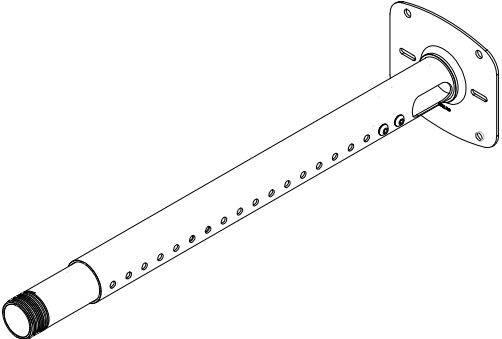
This ceiling mount is shipped with all proper installation hardware and components. Make sure that none of these parts are missing and/or damaged before beginning installation. If there are parts missing and/or damaged, please stop the installation and contact Premier Mounts (800-368-9700).




**NOTE**

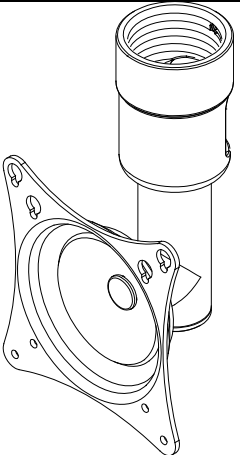
Please review all **WARNING** and **CAUTION** statements (see Page 8) before beginning the installation of the PRC.

AST-2446 (Qty 1)

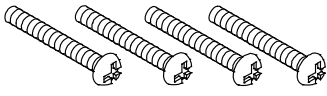


 **Note** The AST-2446 is not included with the PRC-LA. Customers may purchase the AST-2446 separately or use a custom length of 1-1/2" NPT.

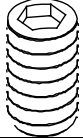
PRC-LA (Qty 1)



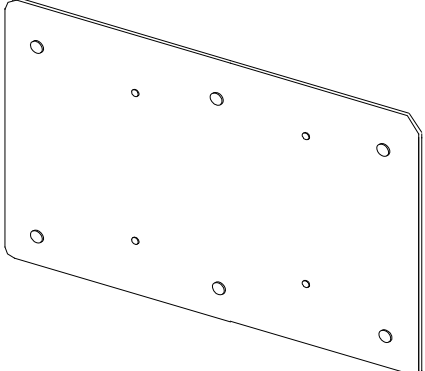
M4 x 10mm Phillips Pan Head (Qty 4)



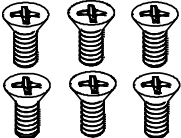
M6 x 8mm Set Screw (Qty 1)



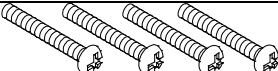
UFP-220 Adapter Plate (Qty 1)



M4 x 10mm Flat Head Phillips Screws (Qty 6)



M4 x 5mm Phillips Screws (Qty 4)



### Installation Tools

Phillips Head Screw Driver  
Pencil  
14mm Socket (Supplied)

Soft Material/ Blanket  
Tape Measure  
3/4" Open-End Wrench

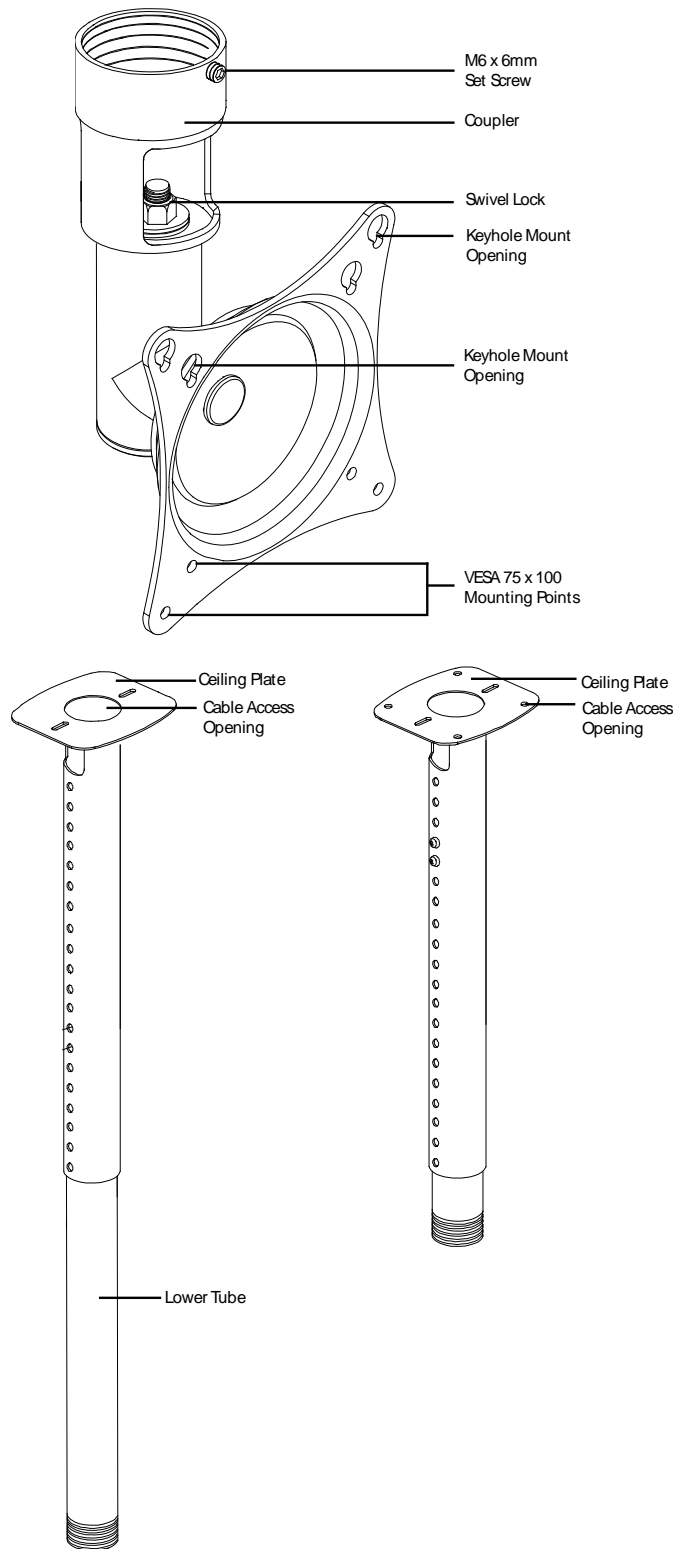
M3 Allen Wrench (Supplied)  
Socket Wrench  
Level (Supplied)



**Features:**

The PRC-LA allows tilt and pivot adjustments  $\pm 15^\circ$  from center,  $360^\circ$  side-to-side swivel, and cable access. The AST-2446 allows height adjustment from 24 to 46 inches. Plus it also features two cable access openings.

**PRC-LA**



**NOTE** The AST-2446 may be substituted for a custom pre-cut length of threaded 1-1/2" NPT pipe.



## AST-2446 Installation



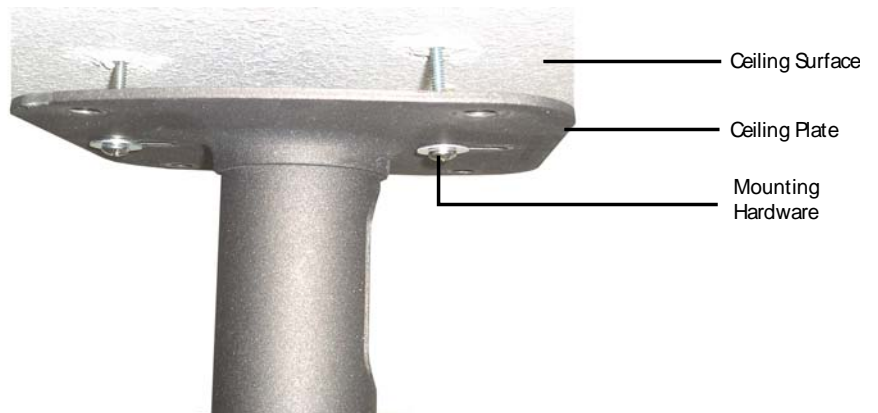
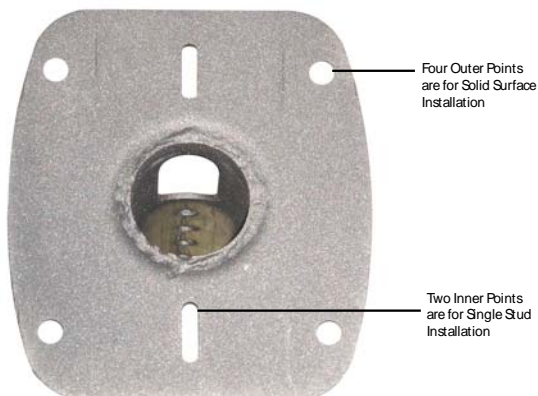
NOTE

If the AST-2446 will not be used to mount the PRC, then a suitable piece of threaded pipe can be used. These instructions will tell the user how to mount an AST-2446 to the ceiling. If a custom piece of threaded pipe is used, it is the responsibility of the user to determine how best to mount the PRC and pipe.

**Single Stud Installation** – Wood screws (Commercially Available)

**Solid Surface Installation** – Concrete wedge anchors (Commercially Available)

1. Secure the ceiling plate to the ceiling structure.
2. Use suitable hardware (commercially available) depending on your installation environment to secure the two (2, or 4, depending on the structure) mounting points found on the ceiling plate to the ceiling structure.

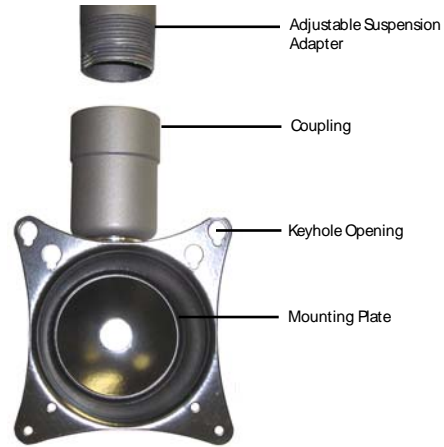


3. To adjust the height of the AST-2446, remove the adjustment screws (Page 4), determine the desired height, and re-insert the adjustment screws to lock the AST-2446 into the desired position.



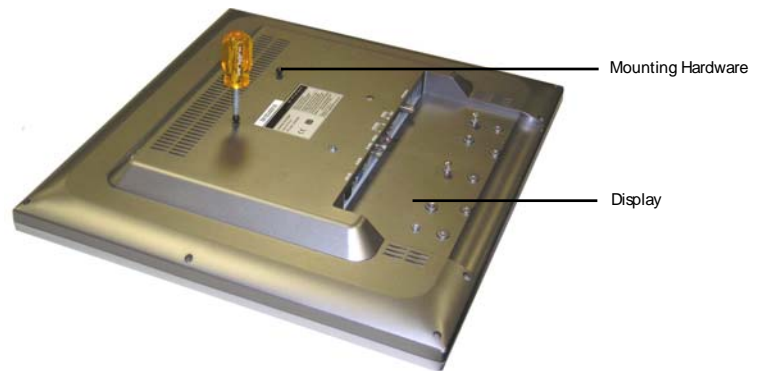
## PRC Installation

1. Screw the PRC-LA coupling adapter to the AST-2446 adapter or 1½" (NPT) Pipe.
2. Secure the coupling with the M6 set screw (supplied).



## Display Installation

1. Place the display on a soft flat surface, face down.
2. Insert the two upper screws (thread on 3 turns). Do not insert the lower screws at this time.



3. Lift the display and carefully guide the display with the two screws into the keyhole openings.



4. Let the display rest in this position while you insert the lower mounting screws.
5. Tighten both the upper and lower mounting screws at this time.



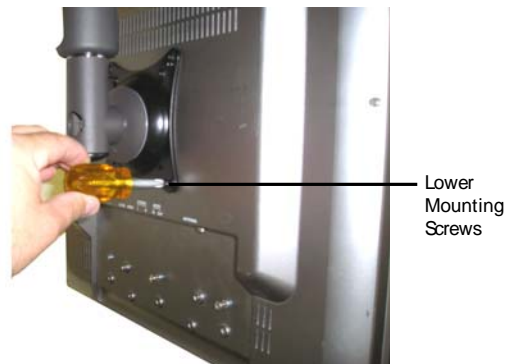
### Caution

Do not over tighten the screws to the monitor. Failure to do so could result in damaging the monitor or the mounting points.



### Note

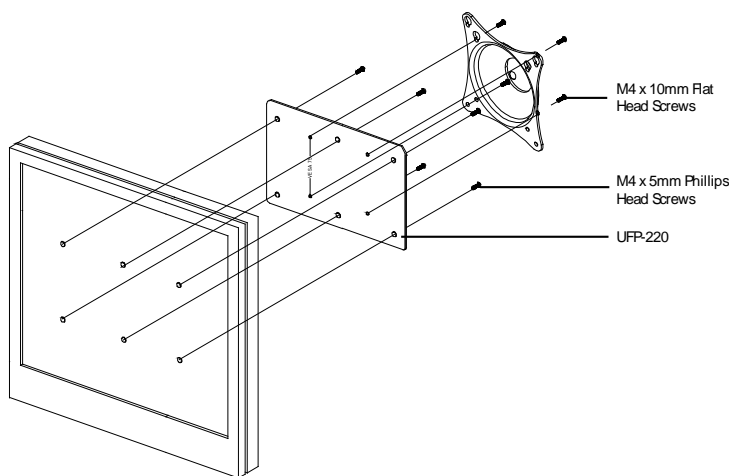
If your flat panel has a 200mm x 100mm mounting pattern, the UFP-220 Adapter Plate must be used.





### UFP-220 Adapter Plate (Optional Installation)

1. Attach the UFP-220 Adapter Plate to the back of the display using the six (6) M4 x 10mm flat head screws.
2. Attach the PRC mounting plate to the back of the UFP-220 using the four (4) M4 x 5 mm screws.



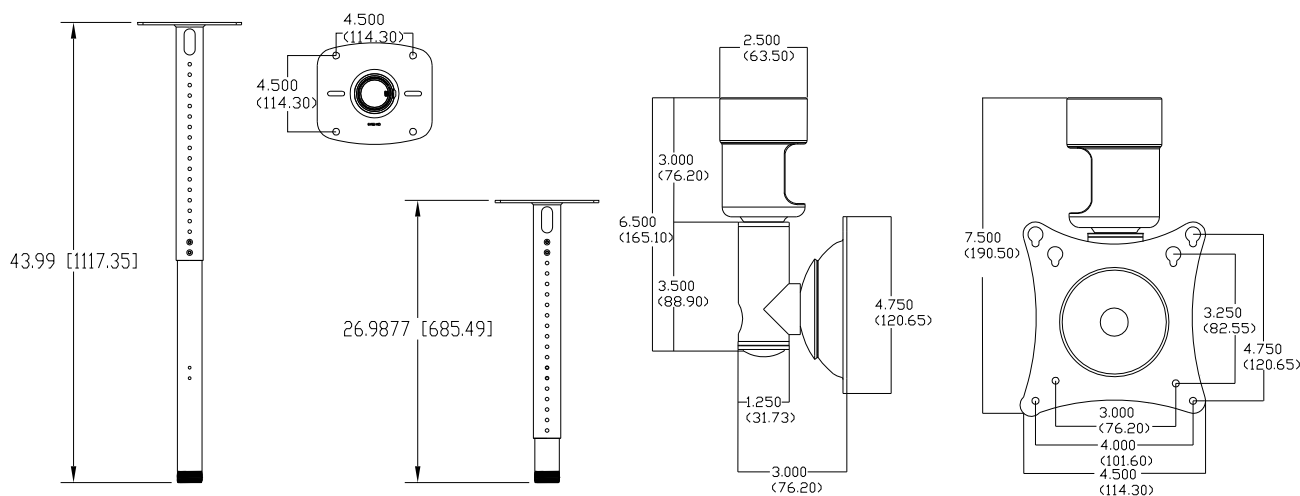
### Tension Adjustment

1. **Swivel Adjustment** – Use a 3/4" wrench to tighten and loosen the swivel adjustment.
2. **Tilt Adjustment** - Use a 14mm socket to tighten and loosen the tilt adjustment.
3. After everything has been tightened and the orientation has been determined, tighten the set screw using the supplied M3 Allen wrench.



### Technical Specifications

All measurements are in inches (mm).





## **Warranty**

### **PREMIER MOUNTS** **LIMITED LIFETIME WARRANTY**

#### **What and Who is Covered by this Limited Warranty and for How Long**

Premier Mounts warrants this product to be free from defects in material and workmanship for the lifetime of the original installation of this product. The limited warranty is valid only for the original purchaser of the product.

#### **What Premier Mounts Will Do**

At the sole option of Premier Mounts, Premier Mounts will repair or replace any product or product part that is defective. If Premier Mounts chooses to replace a defective product or part, a replacement product or part will be shipped to you at no charge, but you must pay any labor costs.

#### **What is Not Covered; Limitations**

**PREMIER MOUNTS DISCLAIMS ANY LIABILITY FOR DAMAGE TO MOUNTS, ADAPTERS, DISPLAYS, PROJECTORS, OTHER PROPERTY, OR PERSONAL INJURY RESULTING, IN WHOLE OR IN PART, FROM IMPROPER INSTALLATION, MODIFICATION, USE OR MISUSE OF ITS PRODUCTS.**

**PREMIER MOUNTS DISCLAIMS ALL OTHER WARRANTIES, EXPRESS OR IMPLIED, INCLUDING WARRANTIES OF MERCHANTABILITY AND FITNESS FOR A PARTICULAR PURPOSE. PREMIER MOUNTS IS NOT RESPONSIBLE FOR INCIDENTAL OR CONSEQUENTIAL DAMAGES, INCLUDING BUT NOT LIMITED TO, INABILITY TO USE ITS PRODUCTS OR LABOR COSTS FOR REMOVING AND REPLACING DEFECTIVE PRODUCTS OR PARTS. SOME STATES DO NOT ALLOW THE EXCLUSION OR LIMITATION OF INCIDENTAL OR CONSEQUENTIAL DAMAGES, SO THE ABOVE LIMITATION OR EXCLUSION MAY NOT APPLY TO YOU.**

#### **What Customers Must Do for Limited Warranty Service**

If you discover a problem that you think may be covered by the warranty you **MUST REPORT** it in writing to the address below within thirty (30) days. Proof of purchase (an original sales receipt) from the original consumer purchaser must accompany all warranty claims. Warranty claims must also include a description of the problem, the purchaser's name, address, and telephone number. General inquiries can be addressed to Premier Mounts Customer Service at 1-800-368-9700. Warranty claims will not be accepted over the phone or by fax.

Premier Mounts  
Attn: Warranty Claim  
3130 E. Miraloma Avenue  
Anaheim, CA 92806

#### **How State Law Applies**

**THIS WARRANTY GIVES YOU SPECIFIC LEGAL RIGHTS, AND YOU MAY ALSO HAVE OTHER RIGHTS WHICH VARY FROM STATE TO STATE.**



## Free Manuals Download Website

<http://myh66.com>

<http://usermanuals.us>

<http://www.somanuals.com>

<http://www.4manuals.cc>

<http://www.manual-lib.com>

<http://www.404manual.com>

<http://www.luxmanual.com>

<http://aubethermostatmanual.com>

Golf course search by state

<http://golfingnear.com>

Email search by domain

<http://emailbydomain.com>

Auto manuals search

<http://auto.somanuals.com>

TV manuals search

<http://tv.somanuals.com>