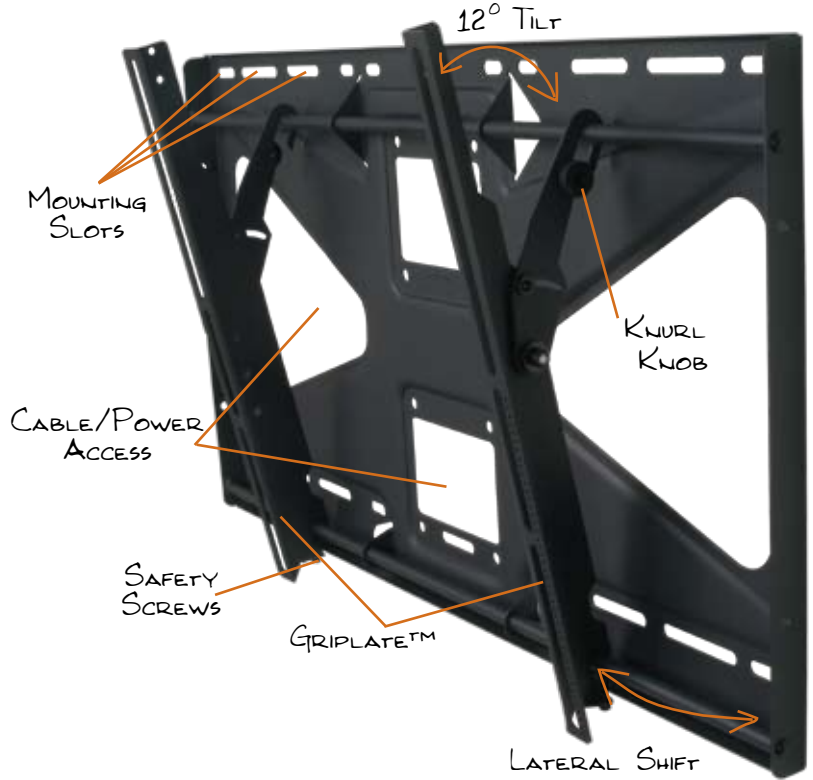
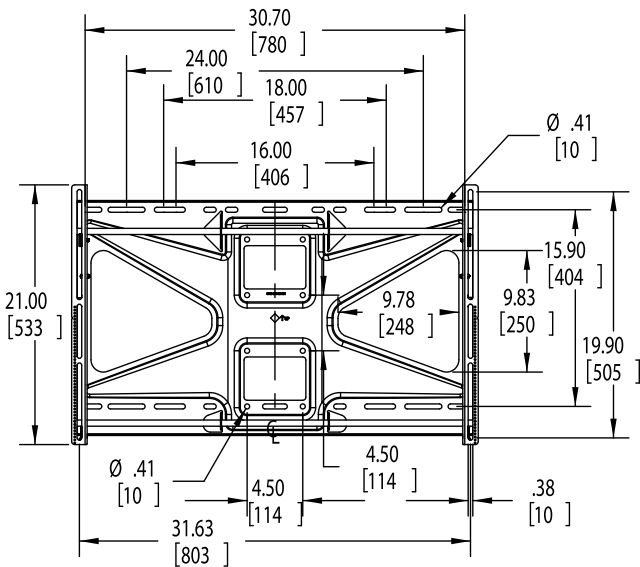


MODEL CTM-MS2 UNIVERSAL FLAT-PANEL MOUNT

FLAT-PANEL TILTING 37"-61" CATEGORY FUNCTION RANGE



Dimensions in inches and millimeters [mm]
Drawings subject to change without notice

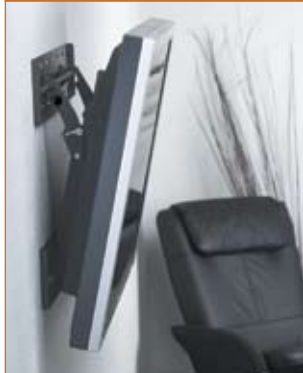
MODELS AND OPTIONAL ACCESSORIES

MODEL	DESCRIPTION	LIST PRICE
CTM-MS2	Black	\$200.00
GB-INWAVP (Optional)	In-Wall AV Power GearBox™	TBD
PCB-CSL1 (Optional)	Cable Lock	\$50.00

FEATURES

- Multiple 16", 18" and 24" center mounting slots
- Built-in lateral shift for precise placement
- Unique Griplate™ System secures flat-panel to back plate
- Set screws and knobs for safety once installed
- Floor stand / ceiling and wall mount
- Cable and power box access

RECOMMENDED APPLICATIONS



- HOSPITALITY
- HOME
- EDUCATION
- CORPORATE
- RETAIL
- DIGITAL SIGNAGE

SPECIFICATIONS

DISPLAY SIZE	37"-61"
TILT	12°
DEPTH FROM WALL	2.45" (62mm)
MOUNTING PATTERN	Up to 695mmx500mm (WxH)
MAX DISPLAY WEIGHT	160 lbs. (73 kgs.)
COLOR	Black



Free Manuals Download Website

<http://myh66.com>

<http://usermanuals.us>

<http://www.somanuals.com>

<http://www.4manuals.cc>

<http://www.manual-lib.com>

<http://www.404manual.com>

<http://www.luxmanual.com>

<http://aubethermostatmanual.com>

Golf course search by state

<http://golfingnear.com>

Email search by domain

<http://emailbydomain.com>

Auto manuals search

<http://auto.somanuals.com>

TV manuals search

<http://tv.somanuals.com>