



PSM-SERIES

INSTALLATION MANUAL

PLASMA DISPLAY MOUNT MODEL

PSM-402F

&

PSM-402T

Premier Mounts

Supplying the world with superior mounts

A DIVISION OF
PROGRESSIVE MARKETING PRODUCTS INC.

3130 E. Miraloma Ave. Anaheim, CA 92806 Phone: 800 368-9700 Fax: 800 832-4888

VISIT US AT WWW.MOUNTS.COM

Introduction

Plasma display manufacturers are constantly improving their products and introducing new ones. We are committed to keeping up with them. That's why we maintain close relationships with all major OEMs – to ensure that we have the latest information on new display products coming to market. Our mounts are often available before the corresponding displays are even on sale.

Mounts are available in either flat or tilt versions, this versatile mount can be used for just about any application, including walls, stands, carts, ceilings – even inside custom cabinets and other furniture applications.

Contents

NOTE: The following installation procedures indicate a wall structure installation. For installations other than wall mounting refer to installation instructions.

- Safety & precautions
- Mount diagrams
- Parts List
- Optional Adapters
- Installing the PSM plasma mount
- Securing the universal flat & tilt mounts
- Electrical
- Mount Interlocking
- Checking for proper safety and security

NOTE: For installations other than wall mounting please refer to page 6. If installing the plasma display to the ceiling or floor stand please refer to its installation instructions.

- Ceiling structure assembly drawing (pg 6)

Safety & Precautions

WARNING Safety precaution measures must be practiced at all times during the installation of this product. Use proper safety gear and tools for the installations procedure to prevent personal injury or damage to the plasma displays or plasma mounts.

WARNING!

The wall or ceiling structure must be capable of supporting at least five (5) times the weight of plasma display. If not, the wall or ceiling must be reinforced. Proper installation procedure by qualified personnel as outlined in the installations instructions must be adhered to. Failure to do so could result in serious personal injury

The entire installation instructions should be fully read and understood, including all of the safety symbols and safety precautions, before beginning installation. The installation instructions should be read, understood and followed to prevent personal injury or property damage. Keep these installation instructions in an easily accessible location for future reference.



Indicates that the power plug is to be disconnected from the power outlet.



Contact Premier Mounts for any questions



Safety precautions must be taken at all times.



Warning and caution in general



A secured structure wooden stud wall must always support the weight or load of the plasma. Always confirm the center of the wood stud before beginning the installation.



Do not install in locations where there is vibration, movement or danger of impact. Failure to do so could result in plasma cracking or falling from the wall causing damage and injury.



Do not install near heater, fireplace, direct sunlight or air conditioning or any other source of direct heat energy. Failure to do so may result in damage to the plasma television and could cause a risk of fire.



At least two qualified people should always perform the installation work. Injury and damage can result from dropping or mishandling the plasma television.



Mounting structure recommended wood studs, solid-flat concrete, and reinforced metal studs. If installing the mount on other than wood studs use (commercially available) suitable hardware.

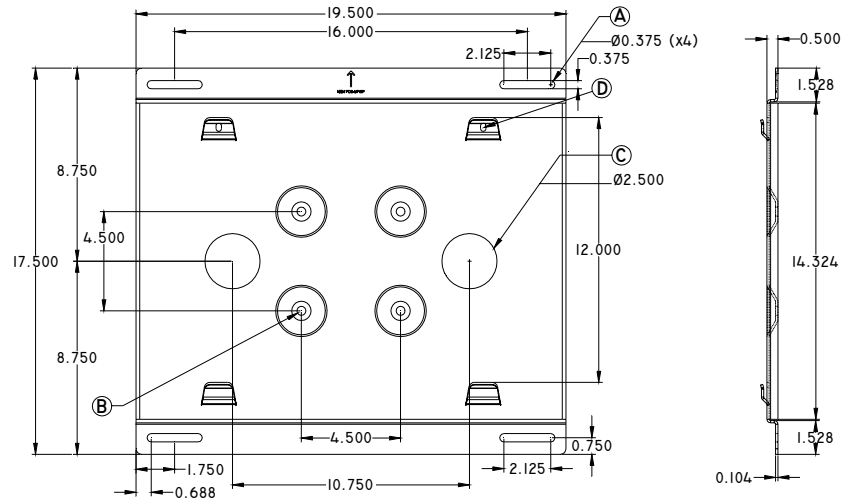
Mount Diagrams

Our PSM flat / tilt mounts are designed for wall or ceiling mounting, or it can mate with any of our popular carts, floor stands or wall arms. The ultra slim plasma mount stands off the wall just enough for proper, OEM-specified ventilation, yet keeps the plasma close enough for a clean, seamless look. It allows either vertical (portrait) or horizontal (landscape) display configuration.

UNIVERSAL FLAT MOUNT

PART#:
PDB-UWFB
MATERIAL:
12 (GA) CRS
COLOR:
Black powder coat

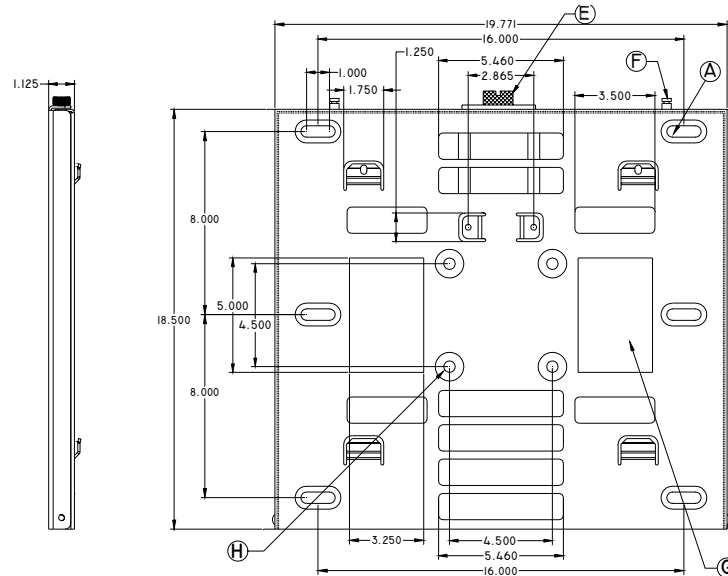
- A.** Lag bolt access slot.
- B.** Mounting points (4.5") used on installations other than wall mounting.
- C.** Access hole for power or cables.
- D.** M6 security screw mounting points used on installations other than flat wall mounting.



UNIVERSAL TILT MOUNT

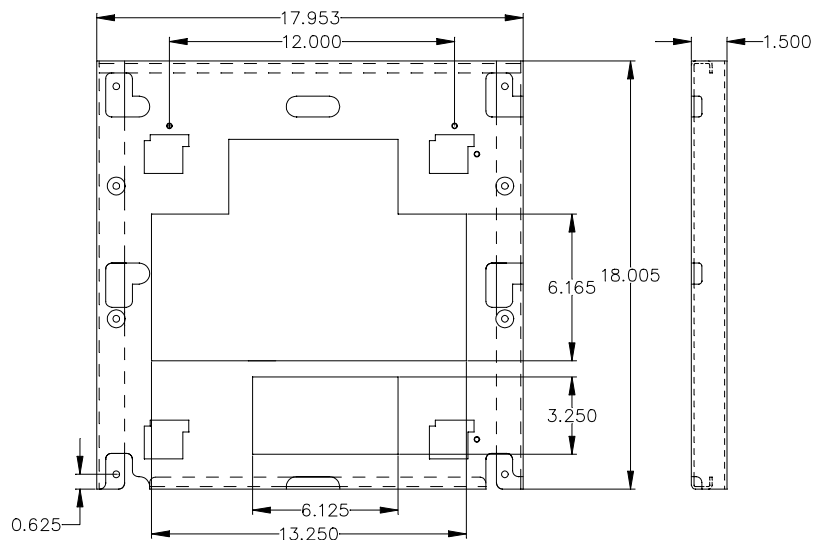
PART#:
PSB-TBP
MATERIAL:
12 (GA) P & O
COLOR:
Black powder coat

- A.** Lag bolt access slot.
- E.** Worm drive
- F.** Locking pins
- G.** Access hole for power or cables.
- H.** Mounting points (4.5") used on installations other than wall mounting.



PSM SERIES MOUNT

PART#:
PDB-402
MATERIAL:
12 (GA) P & O
COLOR:
Black Powder coat
Note: The PDB-Series bracket mates to the universal PDB-UWFB flat mount and the universal PSB-TBP tilt mount.



Standard hardware

QTY	SIZE	DESCRIPTION
6 (Tilt) – 4 (Flat)	5/16" Dia	Lag bolts
1	▪	PSM series mount
1	▪	Flat / Tilt mount
2	M6 x 12 (mm) Phillip security screws	Used on Tilts, Carts, floor stands and ceiling mounts only
1	▪	Installations instructions
1	▪	Bubble level

PSM-Series Mounting hardware

PSM-Mount	QTY	SIZE	DESCRIPTION
PSM-313	6	M5 x 16	Phillip screws
PSM-375	4	M6 x 12	Phillip screws
PSM-401	6	M8 x 20	Phillip screws / Flat washers / Split washers
PSM-402	8	M6 x 12	Phillip screws
PSM-410	6	M5 x 16	Phillip screws / Flat washers / Split washers
PSM-421	6	M5 x 12	Phillip screws
PSM-423	6	M5 x 10	Phillip screws
PSM-424	6	M5 x 12	Phillip screws
PSM-425	8	M4 x 12	Phillip screws
PSM-426	8	M5 x 12	Phillip screws
PSM-427	6	M6 x 16	Phillip screws
PSM-428	8	M8 x 12	Phillip screws
PSM-432	6	M5 x 16	Phillip screws
PSM-460	4 – 4	M5 x 35 – M4 x 12	Phillip screws / Hex bolts
PSM-478	6	M6 x 12	Phillip screws
PSM-499	4 – 2	M5 x 50 / M10 x 25	Hex screws / Hex bolts / Flat washer
PSM-500	8	M5 x 20	Phillip screws / Flat washers / Split washers
PSM-501	6	M8 x 20	Phillip screws
PSM-502	6	M8 x 20	Phillip screws
PSM-532	•	•	•
PSM-540	6	M8 x 30	Phillip screws
PSM-542	2	M5 x 12	Phillip screws
PSM-550	2	M5 x 12	Phillip screws
PSM-570	6	M8 x 30	Phillip screws
PSM-610	6	M8 x 16	Phillip screws / Flat washers / Split washers
PSM-615	6	M8 x 10	Phillip screws
PSM-783	6	M6 x 12	Phillip screws
PSM-442	4	M8 x 30	Phillip screws / Flat washers / Fender washer / .5" nylon spacers

TOOLS & SUPPLY NEEDED

- Phillips screwdriver
- Drill gun
- Soft material or a blanket
- Pencil
- 1/4" drill bit
- Level
- Measuring tape
- Wrench with a 1/2" socket
- Stud finder

(Optional) Installation Hardware

- **1/4"-3/8" Toggler bolts:** Used for hollow concrete block wall mounting.
- **5/16"-3/8" Wedge anchors:** Used in solid brick or minimum-rated (3000psi) solid concrete.

(Optional) ceiling adapters

AST-2446: 1½" (Adjustable height suspension adapter) - Offering height adjustment in ¼" increments, between 24" and 46" (12" - 24", if you cut down), this suspension adapter mates with the single display swivel adapter and 1½" (NTP) pipe.

AST-2446/2: 2" (Heavy-duty adjustable height suspension adapter) - Offering height adjustment in ¼" increments, between 24" and 46" (12" - 24", if you cut down), this suspension adapter mates with the dual display swivel adapter and 2" (NTP) pipe.

PSD-S: 1½" (Single display swivel adapter) – This adapter could be mated with any two of our ultra slim flat or tilt plasma mounts to allow 360° swivel for a ceiling installation. It works with 1½" threaded (NTP) pipe or AST-2446.

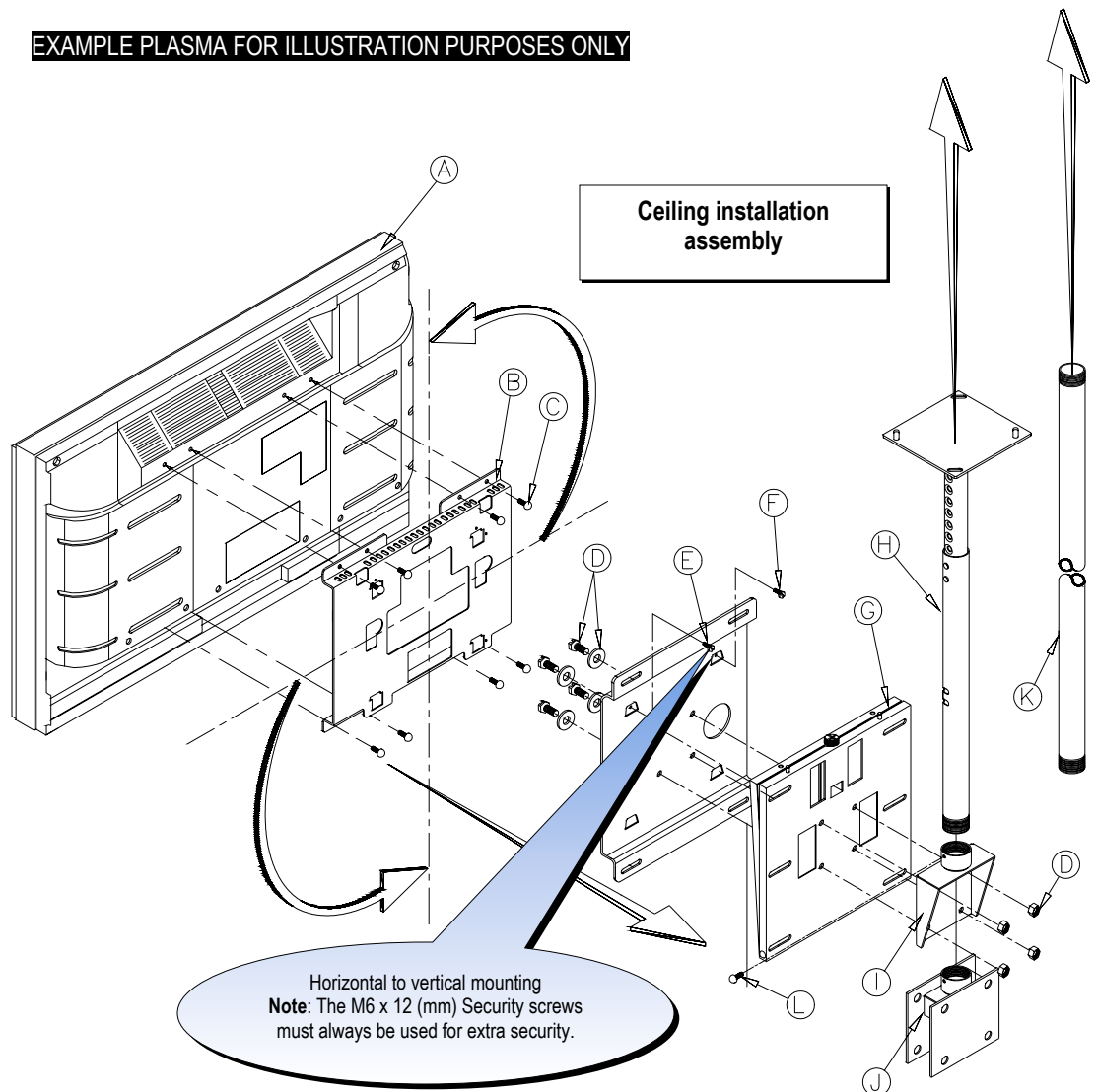
PSD-D: 2" (Dual display swivel adapter) - This adapter could be mated with any two of our ultra slim flat or tilt plasma mounts to allow 360° swivel for a ceiling installation of two back to back displays. It works with 2" threaded (NTP) pipe or AST-2446/2.

PSD-PWV1: 1½" (Single display pole adapter) – Attach this adapter directly to any of the flat or tilt plasma mounts, and slide it over a 2" scheduled 40 steel pipe, then secure at any height with two (2) tension-locked bolts.

PSD-PWV2: 2" (Dual display pole adapter) – Attach any two (2) of the flat or tilt plasma mounts back to back with this adapter, and slide it over a 2" scheduled 40 steel pipe, then secure at any height with two (2) tension-locked bolts.

A	Plasma display
B	PSM-Mount
C	PSM-Hardware (See chart on pg 5)
D	M10 x 12 (mm) Hex screws, flat washers (4,4,8 Pack)
E	PSB-UWFB Universal flat mount
F	M6 Security screws used on tilt, ceiling, cart, floor stand applications.
G	PSB-TBP Universal tilt mount
H	AST-2446 adjustable suspension post for single display mounting or AST-2446/2 adjustable suspension post for dual display mounting.
I	PSD-S Single mounting adapter
J	PSD-D Dual mounting adapter
K	1½" (NTP) For single ceiling display installations or 2" (NTP) For dual ceiling installations

EXAMPLE PLASMA FOR ILLUSTRATION PURPOSES ONLY



Installing the PSM-Series mount

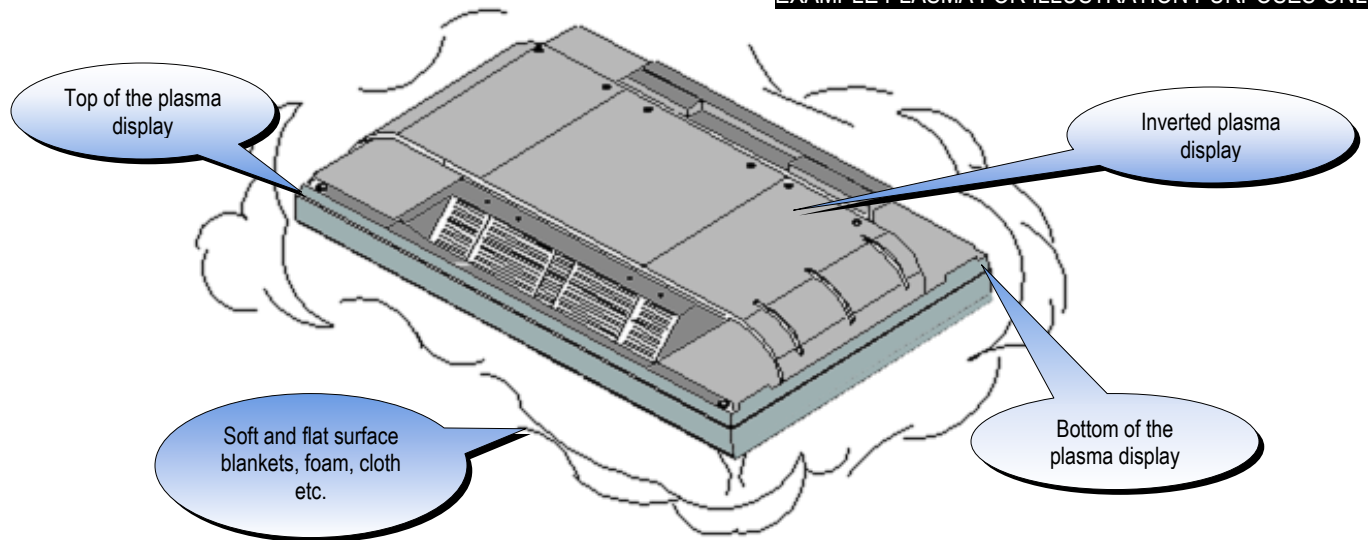
WARNING: Proper installation procedure by qualified personnel as outlined in the installation instructions must be adhered to. Failure to do so could result in serious personal injury and possible damage to the plasma display.

Step 1

CAUTION: The plasma displays are fragile and heavy. At least two (2) qualified personnel are strongly recommended for the installation of this product. Invert the plasma display and set it on a soft, flat surface to prevent any damage to the plasma display. See fig 1.

Fig 1

EXAMPLE PLASMA FOR ILLUSTRATION PURPOSES ONLY



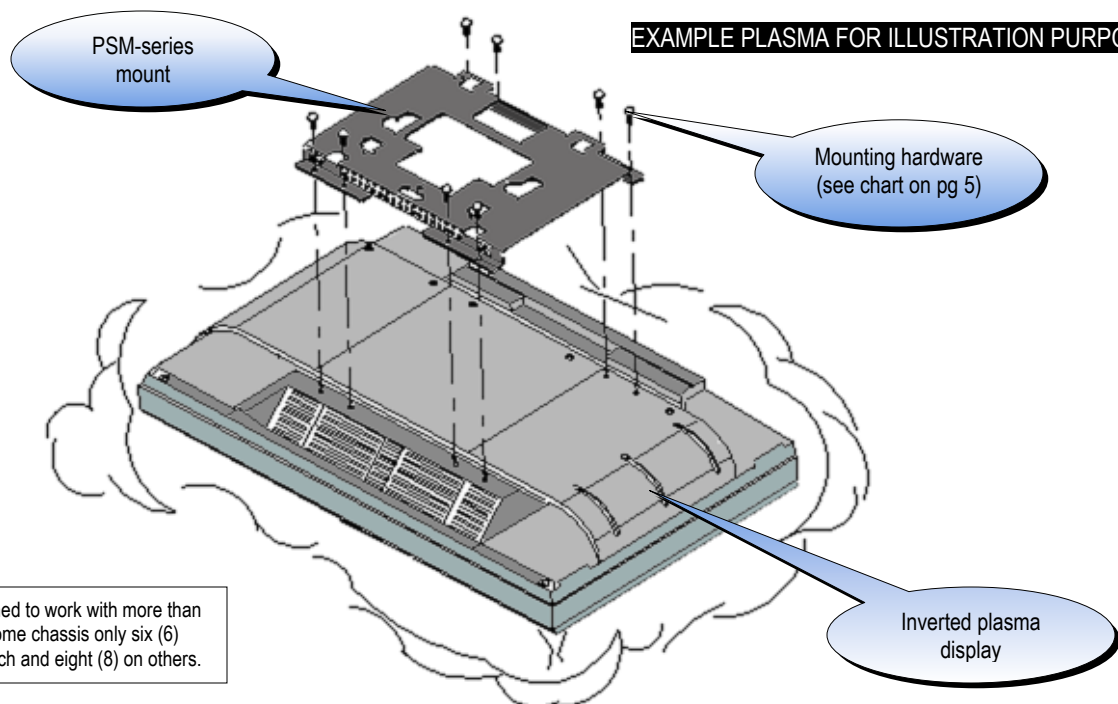
Step 2

CAUTION: The plasma displays are fragile and heavy. At least two (2) qualified personnel are strongly recommended for the installation of this product. Locate the mounting points found on the back of the plasma chassis, align the mounting holes from the mounting bracket to the holes on the chassis. Arrow found on the PSM mount must always be pointing to the top of the plasma display before securing it to the chassis. Secure the mounting bracket to the plasma display by using the hardware specified on the parts list. **CAUTION:** Do not over tighten the mounting hardware. See fig 2.

WARNING: Do not use the drill gun to secure the screws to the plasma display. A Phillips head screwdriver is preferred.

Fig 2

EXAMPLE PLASMA FOR ILLUSTRATION PURPOSES ONLY

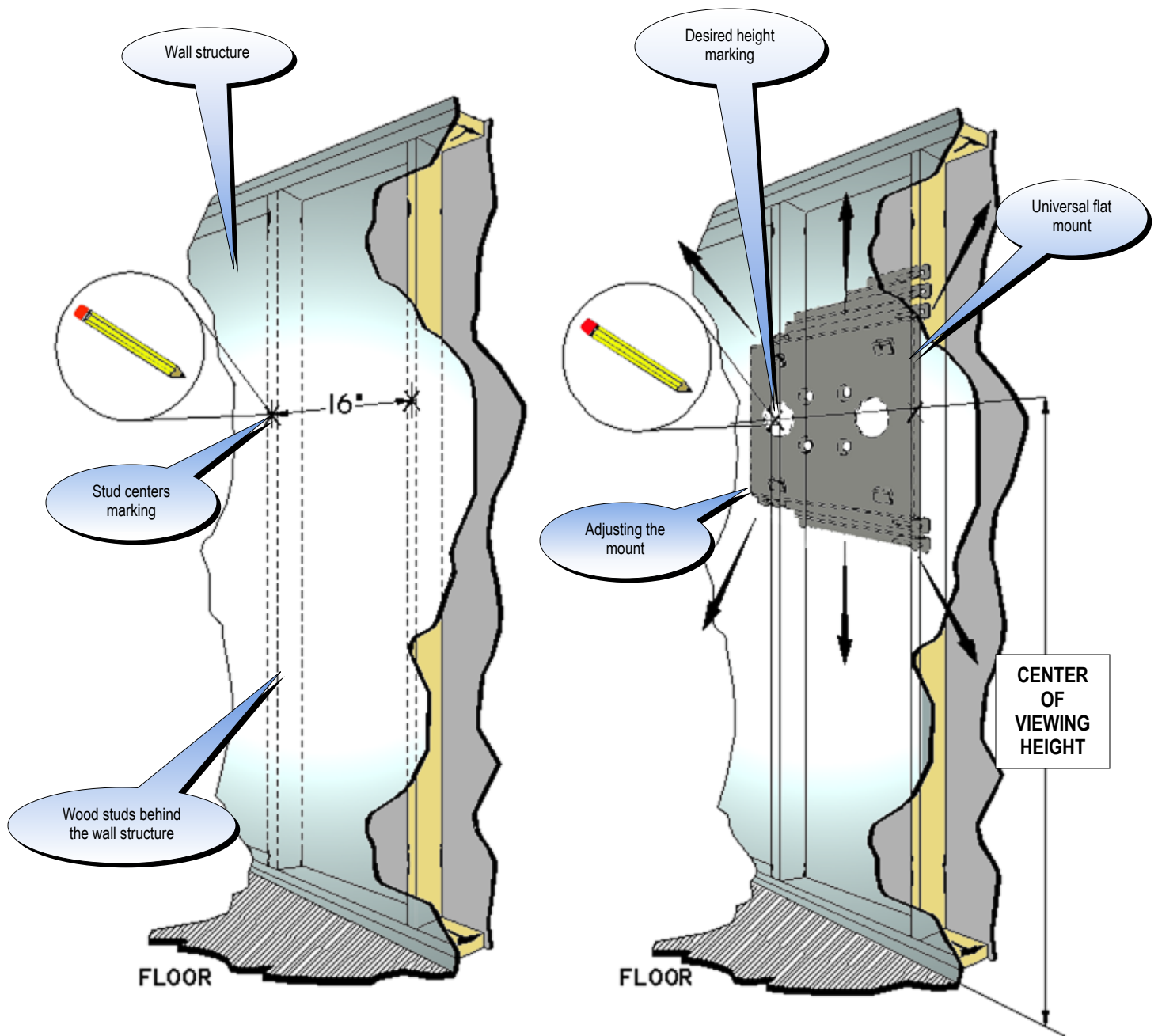


NOTE: The PSM-402 was designed to work with more than one Hitachi model chassis. On some chassis only six (6) mounting points are going to match and eight (8) on others.

Securing the universal flat or tilt mounts

Step 3
Securing the flat mount
CAUTION: The plasma displays are fragile and heavy. At least two (2) qualified personnel are strongly recommended for the installation of this product. All plasma models vary depending on the manufacturer and some are centered and others are not. Please verify that your plasma mounting points from the back of the chassis are centered before installing the universal back plate. Select the area where the plasma will be installed and make sure it can support the weight standards (see warning on page 3). Locate the 16" wood stud centers behind the wall using a (commercially available) stud finder and mark the center of the studs when found. Set the mounting bracket to the wall and mark the desired height by marking the center of the universal flat mount.
Note: Same installation process applies to the PSM-Tilt series. See fig 3.

Fig 3



Step 3

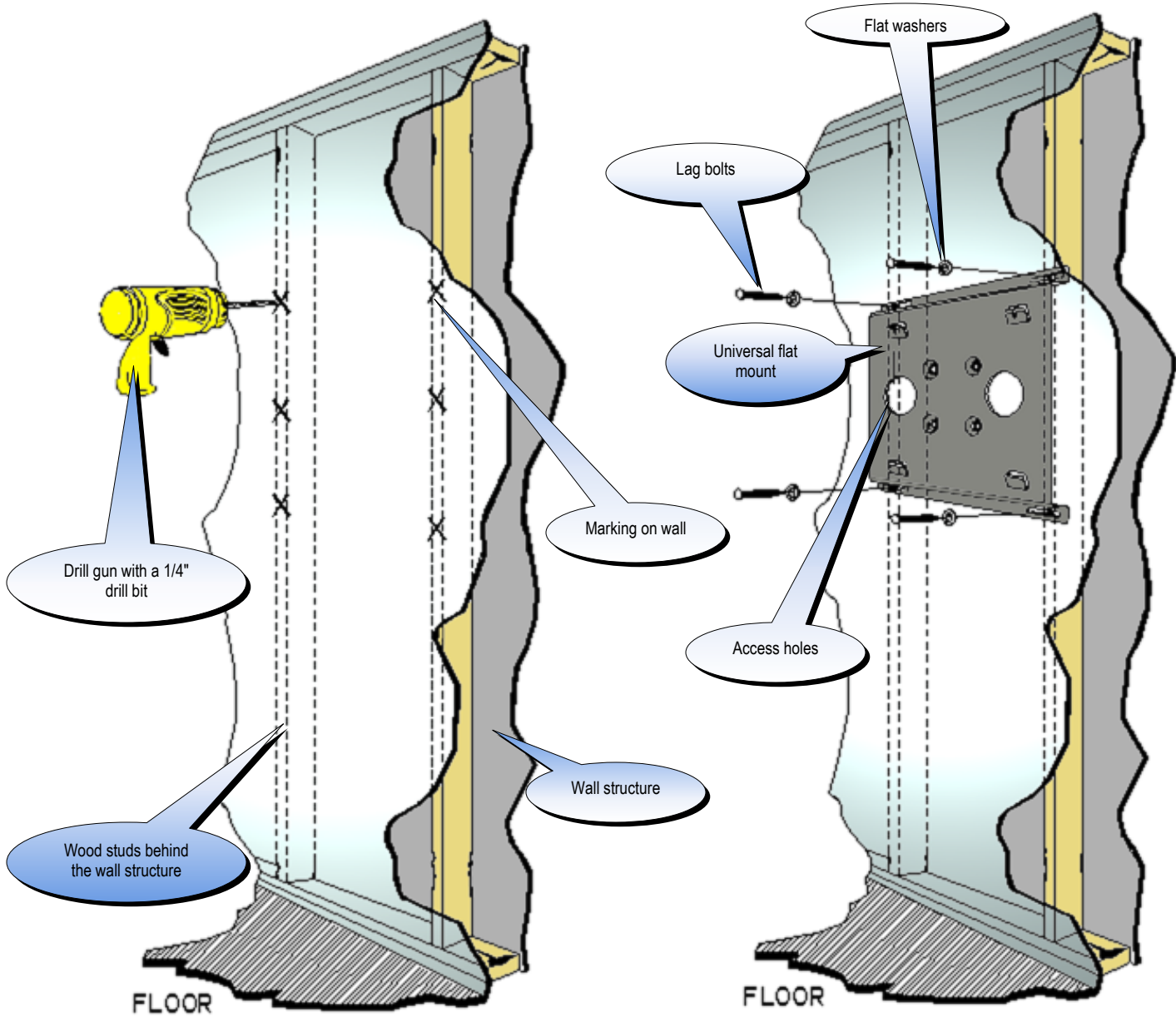
Securing the flat mount

To determine the desired viewing height, use the center slot opening in the wall mount as a center reference for the plasma television when mounted. Once the height is determined, use the bubble level to insure that the bracket is level. Next, using a pencil, mark the four (4) lag bolt slot openings on the mounting bracket. Before continuing, confirm the marks are located on the center of the studs.

Drill 1/4" pilot holes on the four (4) markings on the wall. Raise the universal flat or universal tilt bracket and have someone hold it in place (**arrow side away from the wall and pointing up**). Put the lag bolt through the flat washers. Screw the lag bolt through the upper left slot opening into the 1/4" pilot hole. Confirm that the wall mount is still leveled and then screw a lag bolt to the upper right side slot opening into the 1/4" pilot hole. Then install the remaining two lag bolts tightly into the wall studs in the lower left and right slot openings on the wall mount.

Lateral movement of approximately 1/2" for final positioning is now possible. Make any positioning changes then secure the lag bolts. See fig 4.

Fig 4



Electrical

Step 4

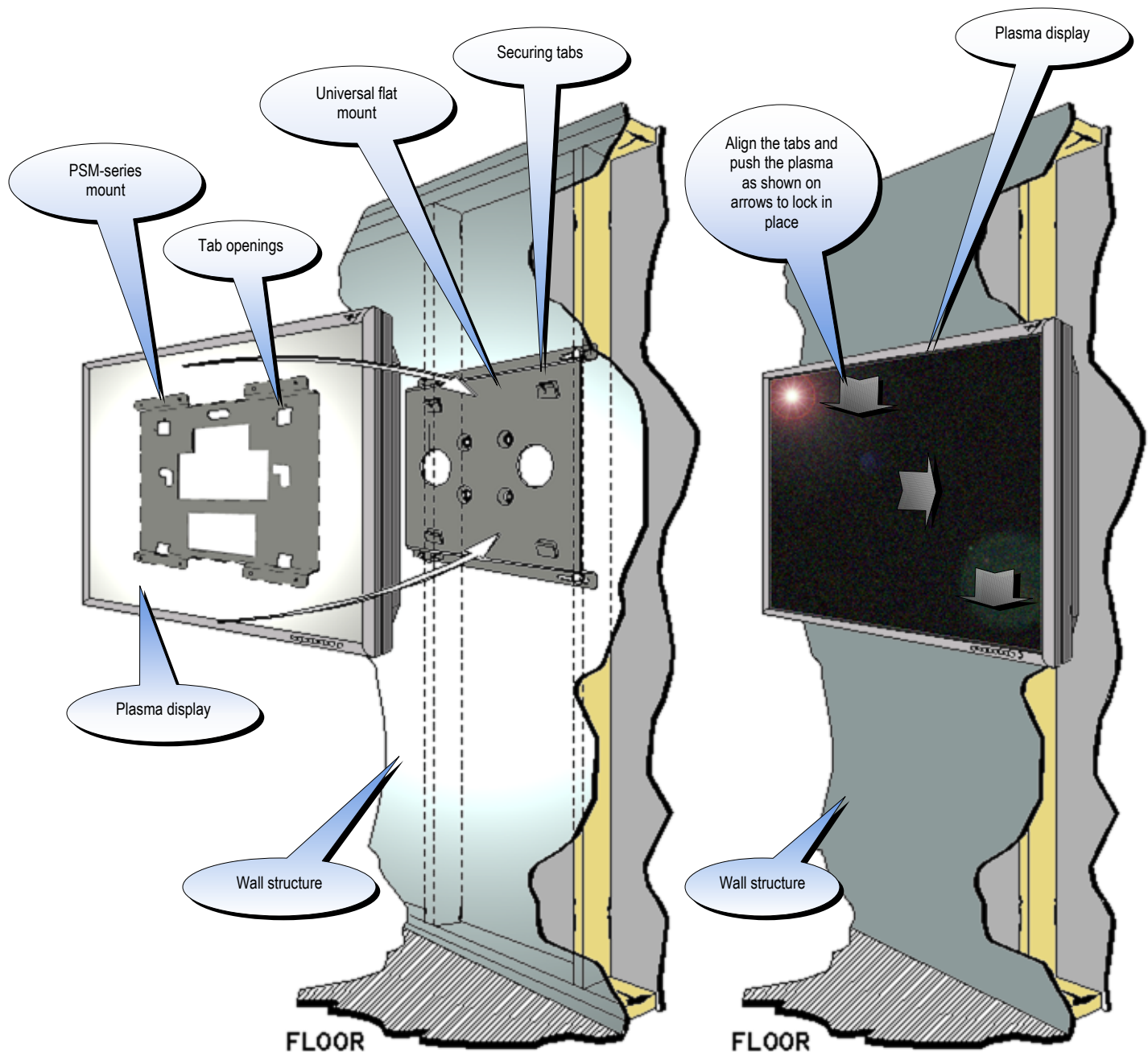
All electrical wiring components should be installed at this time to ensure that the plasma display has enough power sources.

Mount interlocking

Step 5
Warning: The plasma display is heavy and 2 people are needed to lift and install it. Failure to do so could result in serious personal injury. Before placing the plasma on the wall recheck all hardware for proper tightness and security. Align the PSM series mount tab openings to the receiving tabs on the universal flat mount or tilt mount. Slide the plasma down, right and down again to lock the mounts together. Make sure all tab openings are interlocked with the receiving tabs before letting go of the plasma. See fig 5.

Fig 5

EXAMPLE PLASMA FOR ILLUSTRATION PURPOSES ONLY



Thank you for choosing PREMIER MOUNTS INC. for your installation needs.
If you have any questions please contact PREMIER MOUNTS INC.
Information is shown on the front of this page.

Free Manuals Download Website

<http://myh66.com>

<http://usermanuals.us>

<http://www.somanuals.com>

<http://www.4manuals.cc>

<http://www.manual-lib.com>

<http://www.404manual.com>

<http://www.luxmanual.com>

<http://aubethermostatmanual.com>

Golf course search by state

<http://golfingnear.com>

Email search by domain

<http://emailbydomain.com>

Auto manuals search

<http://auto.somanuals.com>

TV manuals search

<http://tv.somanuals.com>