
INSTALLATION MANUAL



PWM-F110

Premier Mounts

3130 E. Miraloma Avenue
Anaheim, CA 92806

Phone: (800) 368-9700
mounts@mounts.com

Fax: (800) 832-4888
www.mounts.com

Table of Contents

Warning Statements	- 4 -
Parts List	- 6 -
Installation Tools	- 6 -
Mounting Bracket Installation	- 7 -
Wall Stud Location	- 10 -
Installing the Flat Panel Display	- 14 -
Technical Specifications	- 16 -
Warranty	- 17 -
Contact Premier Mounts	- 17 -
Notes	- 18 -

Warning Statements

Safety Precautions

This wall mount should be installed by qualified personnel having sufficient skill and competence to install it. Qualified installation specialists or your dealer should install the mount and set up the plasma television in order to avoid personal injury or property damage. Premier Mounts does not assume liability for injury or damage caused by improper installation, mounting or setup of the plasma television, misuse, modification or natural disasters.

The entire installation instructions should be fully read and understood, including all of the safety symbols and safety precautions, before beginning installation. The installation instructions should be read, understood and followed to prevent personal injury or property damage. Keep these installation instructions in an easily accessible location for future reference.

The wall being considered for mounting must be capable of supporting at least five (5) times the weight of 40Kg. If it is not, the wall must be reinforced before beginning installation.

Only use specified parts for the installation of the mounting bracket. Do not use the mounting hardware from any other mount or any other source.



A secured structure wooden stud wall must always support the weight or load of the plasma. Always confirm the center of the wood stud before beginning the installation. Failure to do so could result in personal injury and physical damage.



Avoid installing the plasma in locations where temperatures and humidity are excessively high, or contact with any water or vapors possible. This could result in fire, electrical shock and damage to the plasma television. Water will damage the wall structure for wall mount installation. The permissible temperature is (0-40°C) and humidity is (20%-80%).



The mount is designed to be used on vertical walls only. Do not install near or on doors, angled ceilings, walls, or any other installations other than wall mounting. Failure to do so could result in damage and injury. This wall mount is to be used only with plasma television. Use with any plasma television other than is prohibited and may cause injury and damage.



Make sure the plasma mounting area is completely free of internal or external wires, pipes, gas lines, phone lines etc. Failure to do so will result in injury and damage to the walls, wiring or piping system.



Avoid Installations where there is danger of contact with over excessive dust, oil smoke, and tobacco smoke. Failure to do so may result in fire or damage to the plasma or its internals.



Do not block the ventilation holes. Sufficient clearance must be left in the area surrounding the plasma and wall mount to avoid blocking the vents and causing the plasma to overheat which could cause a risk of fire. Leave 100mm or more away from all of the surrounding four sides for proper airflow.



Do not install in locations where there is vibration, movement or danger of impact. Failure to do so could result in plasma cracking or falling from the wall causing damage and injury.



Do not install near heater, fireplace, direct sunlight or air conditioning or any other source of direct heat energy. Failure to do so may result in damage to the plasma television and could cause a risk of fire.



It is not necessarily to open the plasma television prior to installation. Never open the plasma or modify the mount. This plasma is to be used only as outlined in the installation instruction. Failure to do so may result in damage and injury. If a malfunction or problem occurs, contact the nearest dealer.



At least two qualified people should always perform the installation work. Injury and damage can result from dropping or bending the plasma television.



All six (6) M8 bolts (part B) and quick release sleeves (part A) must be firmly tightened and secured to the plasma television in the correct locations. If the quick release sleeves are not properly installed, do not hang the plasma television to the wall mount. Damage and Injury could result from the plasma falling down.



All four (4) Lag bolts must be properly secured to the 450mm wall studs. The lag bolts must always be secured through the center of the wood studs. Failure to do so could result in the plasma falling from the wall causing damage to the plasma and personal injury.



All bolts must be properly tightened and secured before installing the plasma display. Failure to do so could result in the plasma falling causing damage to the plasma and personal injury.



Objects on the wall may collect dust quicker than anticipated. Check periodically for dust accumulation. Refer to the plasma installation instructions for cleaning instructions.



Do not play around the plasma or throw any objects near or at the screen. The glass screen is very sensitive and may scratch or break or cause the plasma television to fall from the wall causing personal injury and damage.

Mount Overview

This PWM-F110 Plasma Wall Mount may be sold as part of a system or as an independent component. Whichever way it is purchased the installer must take care to use only the hardware and components that come included in this package and that it only be used in conjunction with the appropriate Plasma Television.

The PWM-F110 plasma wall mount is to be used to attach a plasma television vertically to an appropriate wall. In order to mount the plasma television, it is necessary to attach the enclosed mount using the enclosed hardware to the wall and to use enclosed hardware to attach to the back of the plasma television, and then to attach them together.

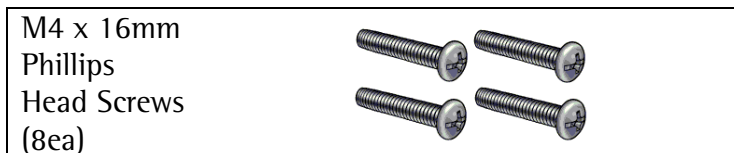
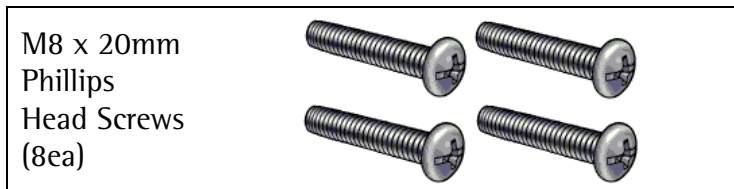
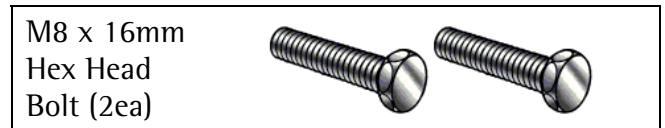
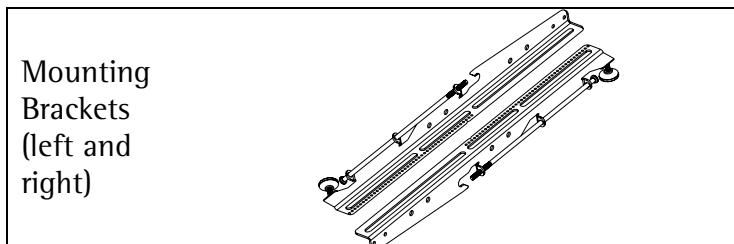
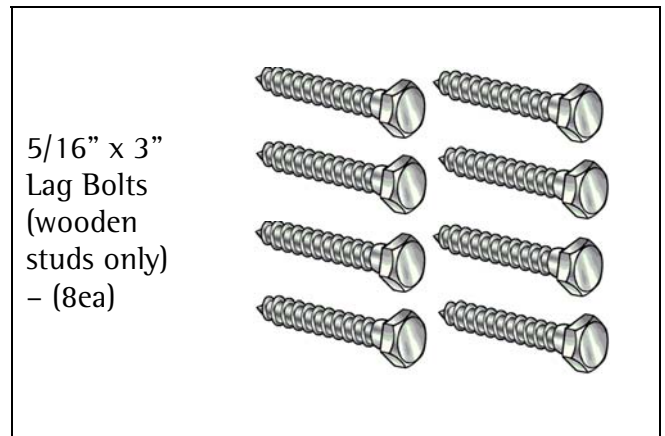
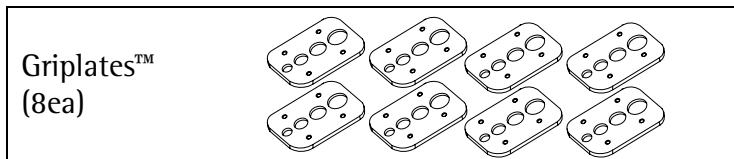
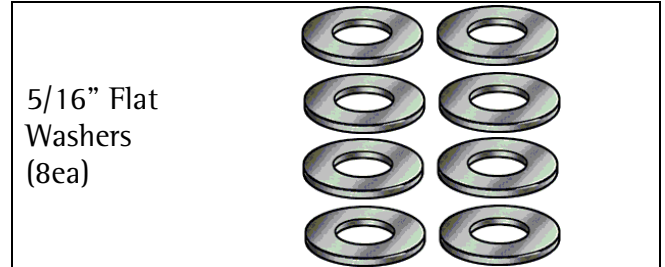
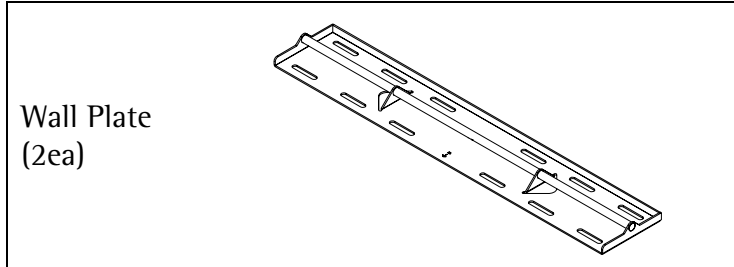
As described below, there are three main steps involved in the mounting process:

1. Attach the six Quick Release Sleeves to the rear of the plasma television.
2. Position and attach the Plasma Wall Bracket to an appropriate wall.
3. Lift and attach the plasma television to the Plasma Wall Bracket.

Read the installation instructions completely in order to ensure a complete understanding of the entire installation procedures before beginning the installation process. It is recommended that qualified installers install this product.

Parts List

NOTE: This wall mount is shipped with all proper installation hardware and components. Make sure that none of these parts are missing and/or damaged before beginning installation. If there are parts missing and/or damaged, please stop the installation and contact Premier Mounts (800) 368-9700 Ext.224.



Installation Tools

Phillips Head Screw Driver
Pencil
Level

Soft Material/ Blanket
Tape Measure

Drill Gun
5/16" Socket and Wrench

Mounting Bracket Installation

NOTE: Proper installation procedure by qualified personnel as outlined in the installation instructions must be adhered to. Failure to do so could result in serious personal injury and possible damage to the flat panel.

WARNING: INVERT THE FLAT PANEL AND PLACE IT ON A SOFT, FLAT SURFACE TO PREVENT DAMAGE TO THE FLAT PANEL. USE A BLANKET, FOAM, ETC. FAILURE TO DO SO WILL RESULT IN DAMAGING THE FLAT PANEL. DO NOT LAY THE FLAT PANEL ON THE FLOOR WITHOUT ANY PROTECTION TO THE GLASS. THE FLAT PANEL IS HEAVY AND FRAGILE. AT LEAST (2) QUALIFIED PERSONNEL ARE STRONGLY RECOMMENDED FOR INSTALLATION OF THIS PRODUCT. FAILURE TO DO SO COULD RESULT IN SERIOUS INJURY AND POSSIBLE DAMAGE TO THE FLAT PANEL.

1. Once the flat panel is inverted, use a measuring tape to find the center of your flat panel measuring from outside to outside of the chassis (Figure 1).
2. Using a pencil lightly mark the center of your flat panel (Figure 2).

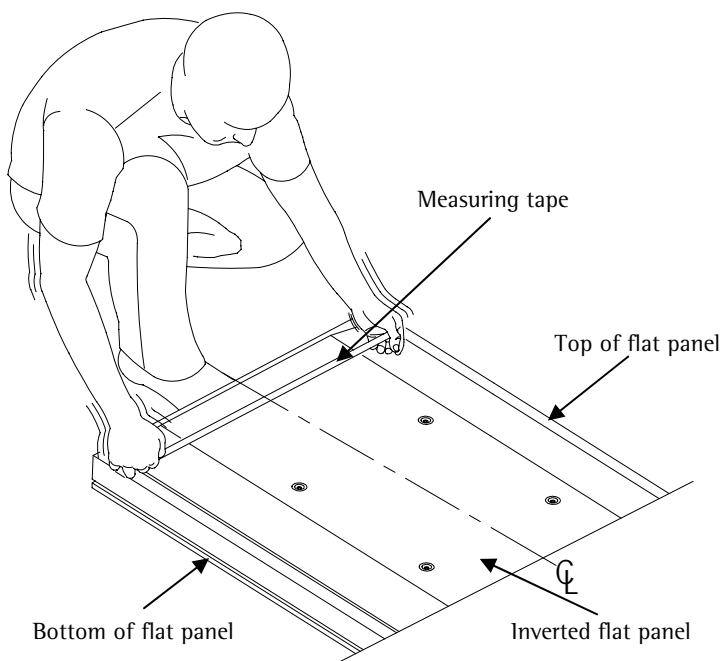


Figure 1

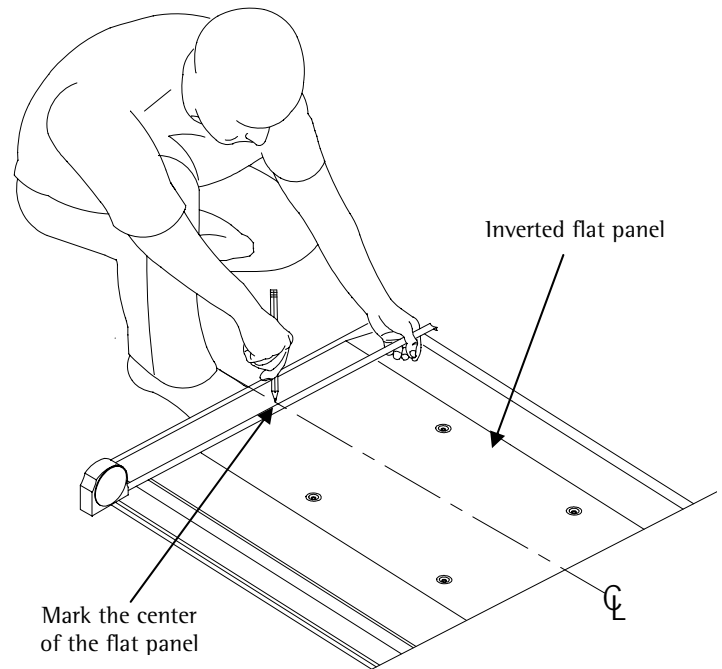


Figure 2

3. If needed, install the nylon spacers to the mounting points on the flat panel (Figure 3).
4. Lay the left and right mounting brackets (stamped arrows facing out) - (Figure 4).

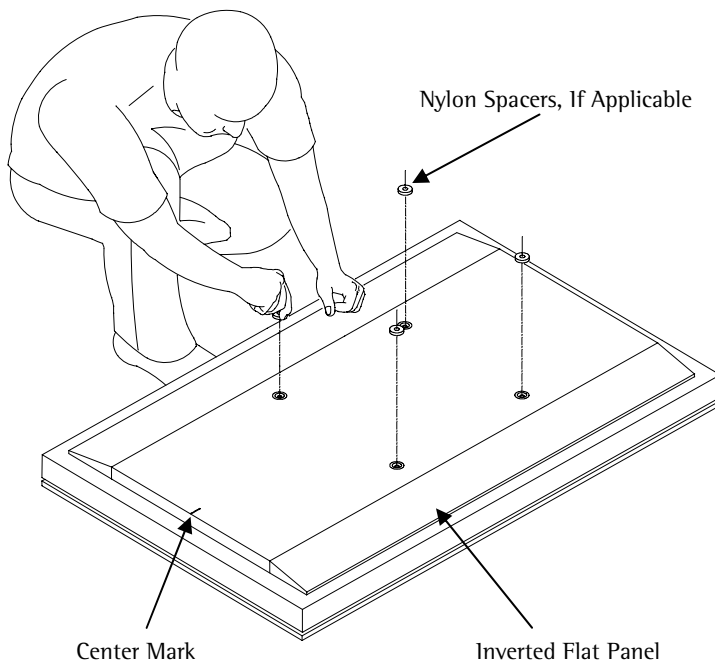


Figure 3

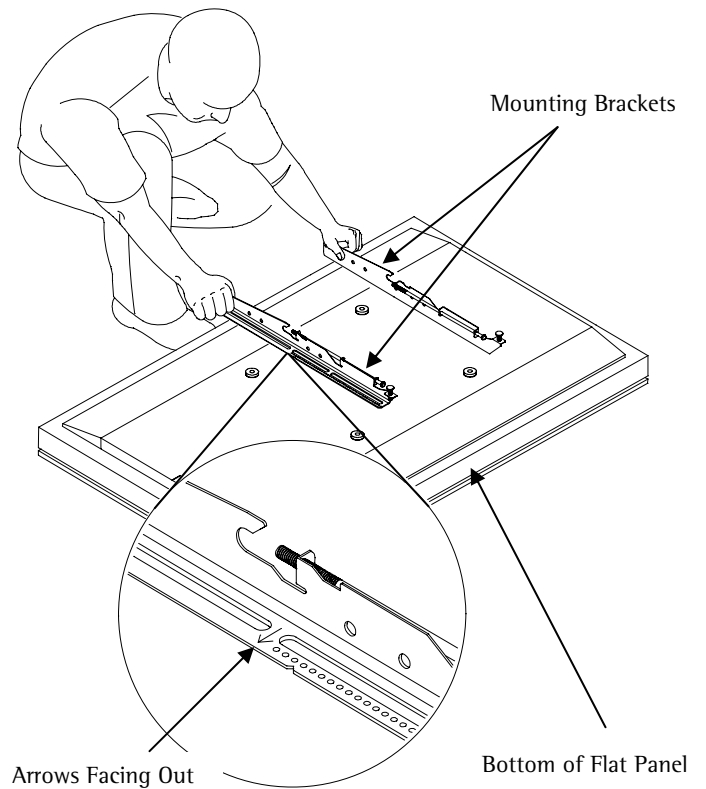


Figure 4

5. Match the center of viewing guide with the centerline you marked in step 1 (Figure 5).
6. The mounting brackets are designed with a center of viewing guide on the side of them (Figure 6).

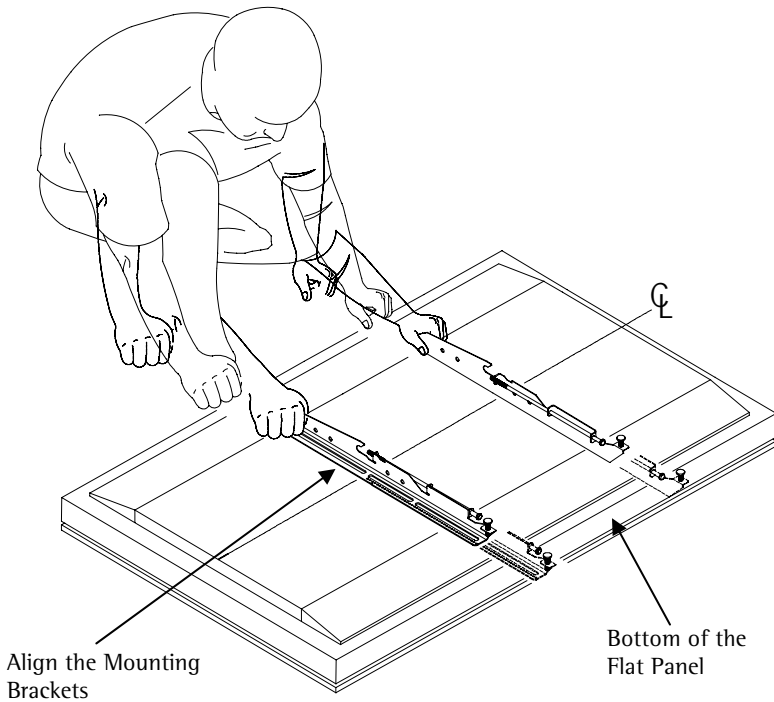


Figure 5

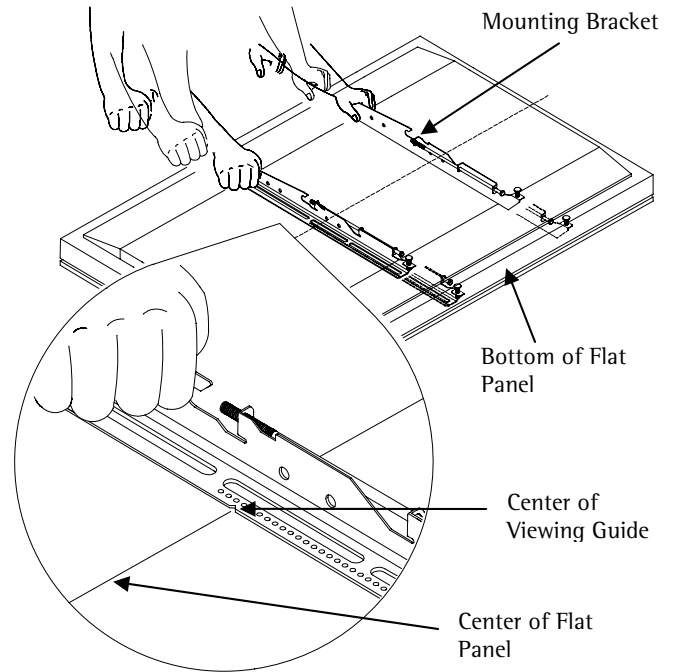


Figure 6

7. The Griplates™ have M4, M5, M6 and M8 hole patterns to fit the hardware that your flat panel requires. **EXAMPLE:** If your flat panel uses M8 x 20 Phillip screws, use the M8 mounting points (Figure 7).
8. Once the mounting brackets are aligned, secure the Griplate™ to the flat panel. Use (1) Griplate™ per mounting point (Figure 8).

NOTE: The dimples of the top plates have to be facing up and the bottom dimples must be facing down.

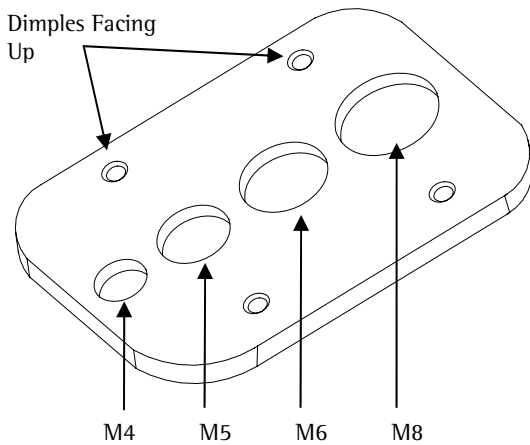


Figure 7

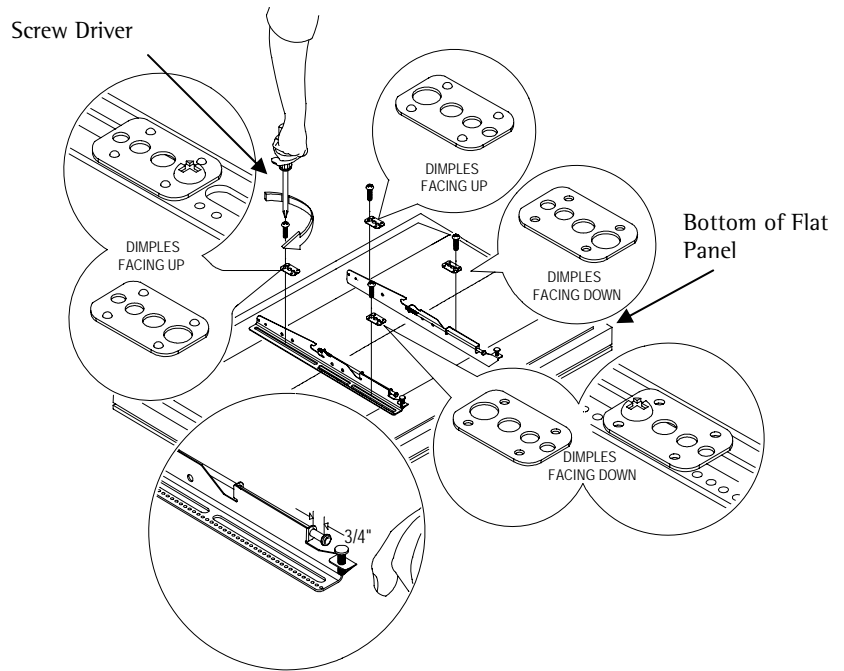


Figure 8

Wall Stud Location

- Using a (commercially available) wood stud finder, locate four 16" or 24" stud centers behind the wall. Once found, make a pencil marking on the center of the wood studs (Figure 9).

NOTE: The wall plates have (3) 16" and (1) 24" mounting slot positions (see Technical Specifications on Page 17)

- Measure from the floor to the desired viewing height and mark the wall.

NOTE: This marking will reference the center of your flat panel display once mounted on the wall (Figure 10).

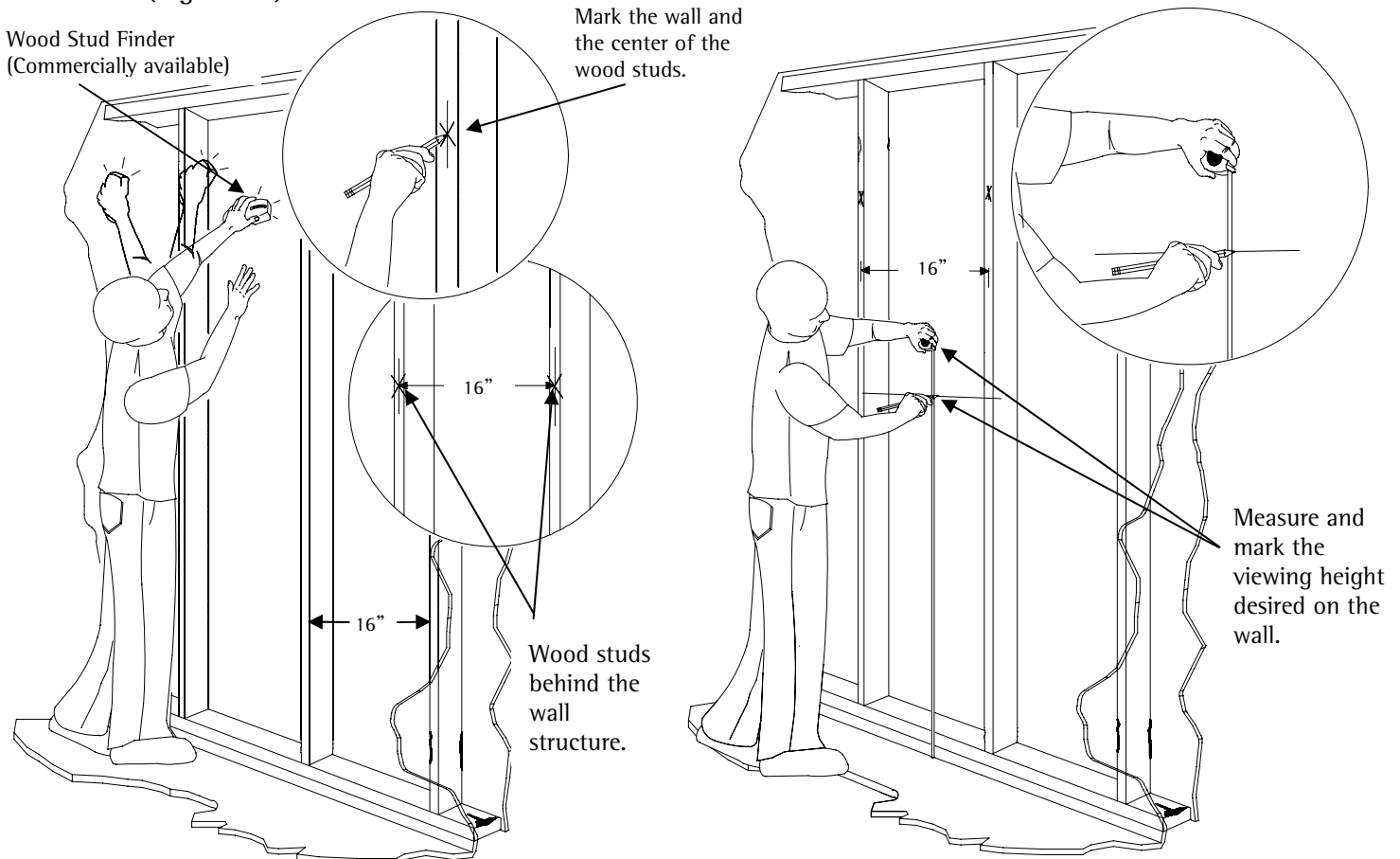


Figure 9

Figure 10

NOTE: Although not depicted in the illustrations shown above, the width of this wall mount will encompass four wall studs (three wall studs if 24" apart).

3. To connect the two wall plates, lay them on a flat surface, end to end. Make sure that the holes line up (Figure 11).
4. Insert two (2) M8 x 16mm Hex Head bolts through the two holes and secure with two (2) M8 Hex nuts (Figure 11).
5. Place the bottom portion of the wall plate to the reference line and mark the eight (8) lag bolt mounting points through the wall plate slots on the wall.
6. Level the wall plate with the reference arrow pointing up to the ceiling (Figure 11).

Mounting Surfaces (Figure 14)

Wood studs: Drill eight (8) 1/4" pilot holes to the marked wall (16" studs, on center – Figure 12).

Concrete wall: Drill eight (8) 3/8" pilot holes to the marked wall (Figure 18).

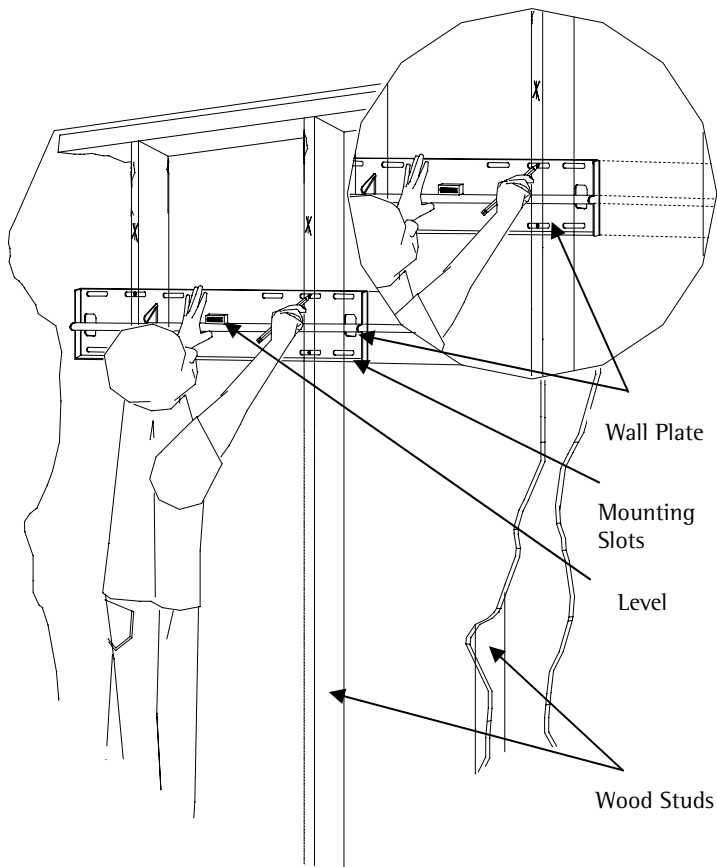


Figure 11

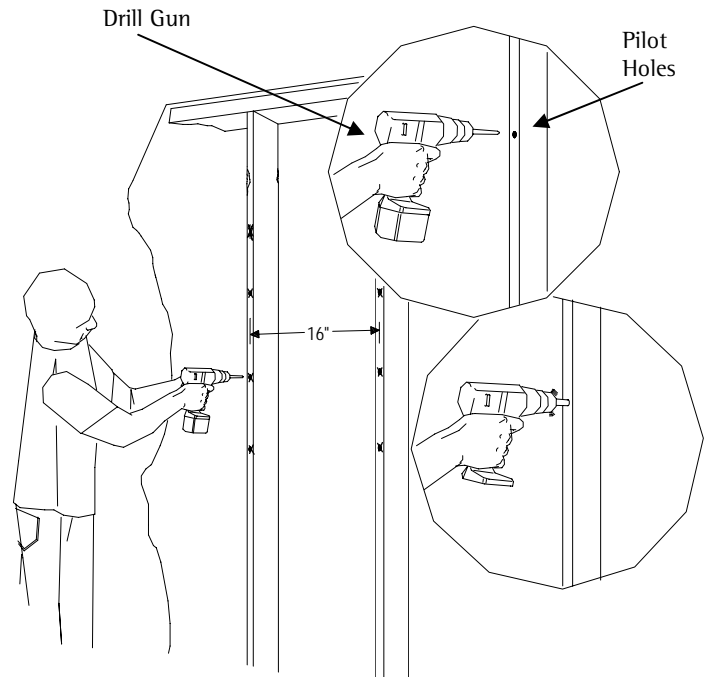


Figure 12

NOTE: Although not depicted in the illustrations shown above, the width of this wall mount will encompass four wall studs (three wall studs if 24" apart).

7. Level and secure the plate to the wall with the reference arrow facing up to the ceiling.
8. Secure the plate using the eight (8) 5/16" lag bolts and flat washers (supplied) – (Figure 13).

CAUTION: Do not over tighten the lag bolts.

NOTE: Use a minimum diameter of 5/16" x 3" long wood screws.

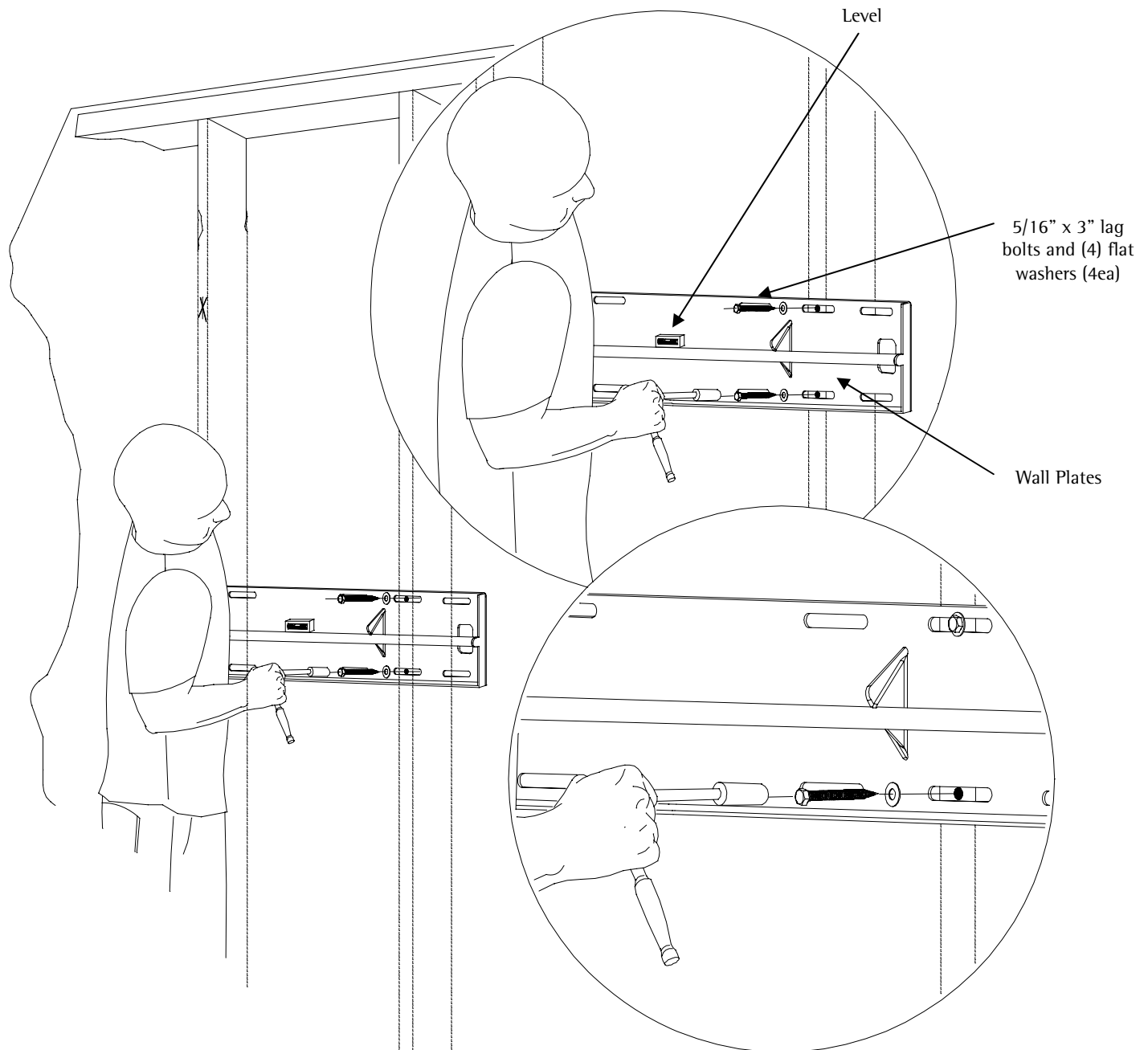


Figure 13

NOTE: Although not depicted in the illustrations shown above, the width of this wall mount will encompass four wall studs (three wall studs if 24" apart).

9. Level and secure the plate to the wall with the reference arrow facing up to the ceiling.
10. Use a minimum diameter of 5/16" x 2 1/4" large concrete wedge anchors (commercially available) – (Figure 14).

CAUTION: Do not over tighten the wedge anchors bolts.

NOTE: Use a minimum diameter of 5/16" x 2 1/4" long wedge anchors (commercially available).

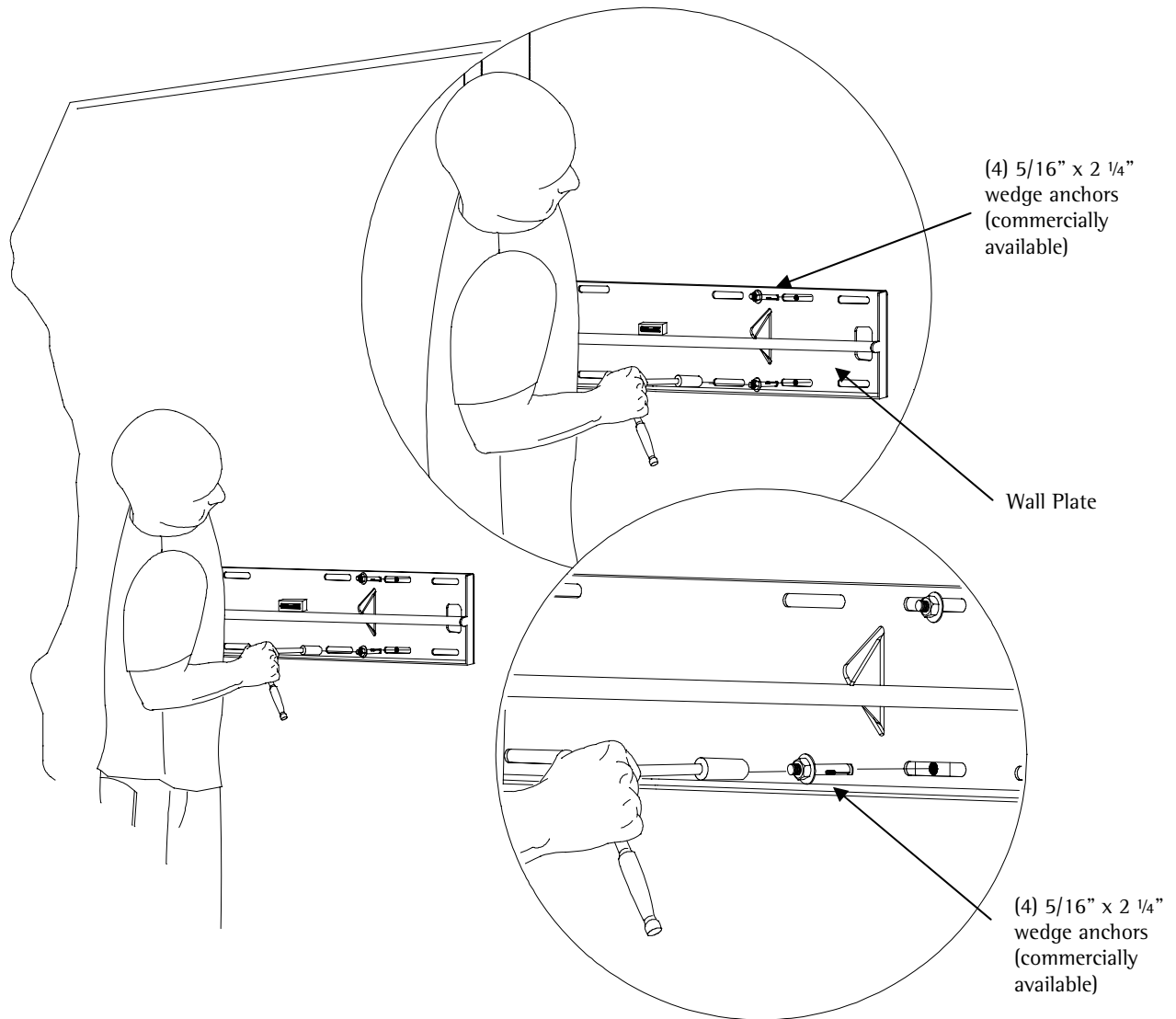


Figure 14

NOTE: Although not depicted in the illustrations shown above, the width of this wall mount will encompass four wall studs (three wall studs if 24" apart).

Installing the Flat Panel Display

WARNING: AT LEAST (2) QUALIFIED PERSONNEL ARE STRONGLY RECOMMENDED FOR INSTALLATION OF THIS PRODUCT. FAILURE TO DO SO COULD RESULT IN SERIOUS INJURY AND POSSIBLE DAMAGE TO THE FLAT PANEL.

1. Raise the flat panel with the LEFT and RIGHT mounting brackets secured to the flat panel and insert the top hooks from each bracket to the rod from the wall plates (Figure 15).

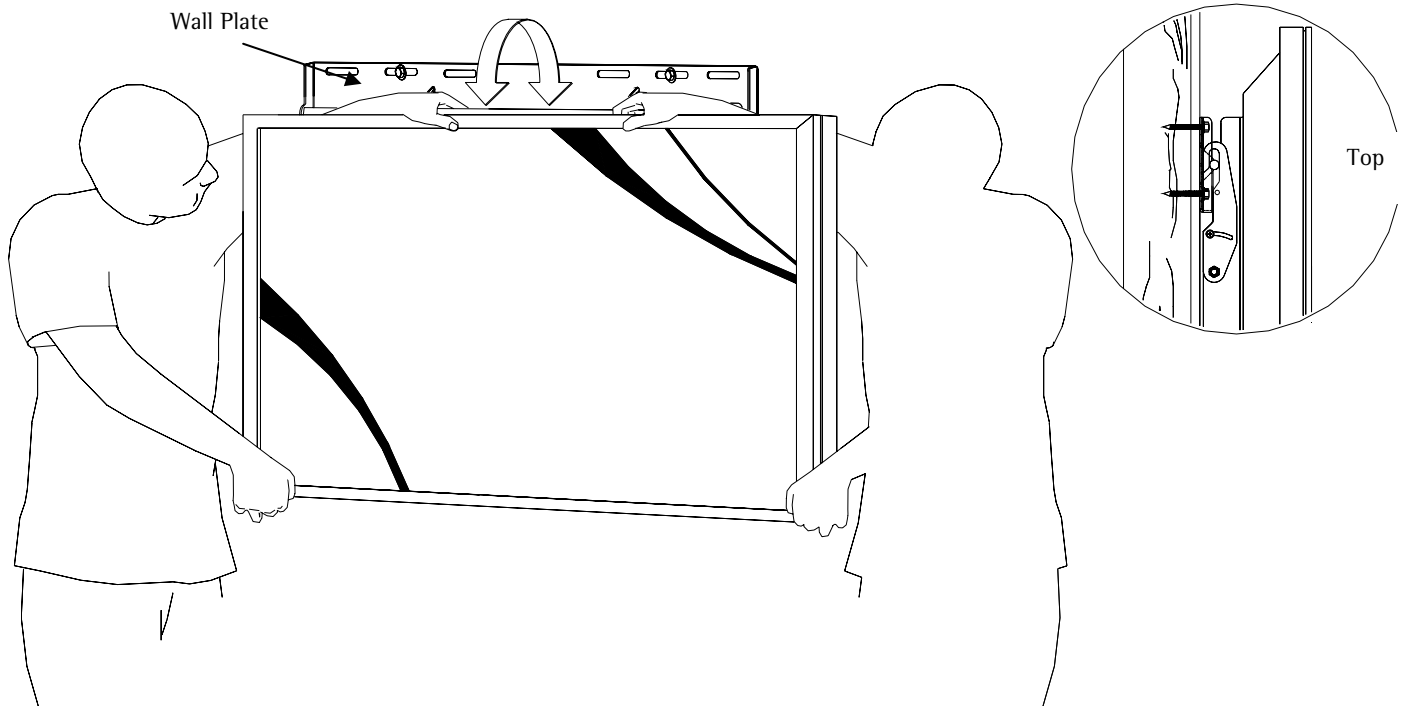


Figure 15

2. Make any lateral shift adjustment and lock it by tightening the two (2) 1/4"-20 Phillips screws found on the bottom of the mounting brackets. Use the wall bumper to adjust your flat panel.

CAUTION: Do not over tighten the 1/4"-20 screws to the rods (Figure 16).

NOTE: To remove the flat panel from the wall, simply back off the 1/4"-20 screws using a Phillips screwdriver and lift the unit off the wall carefully.

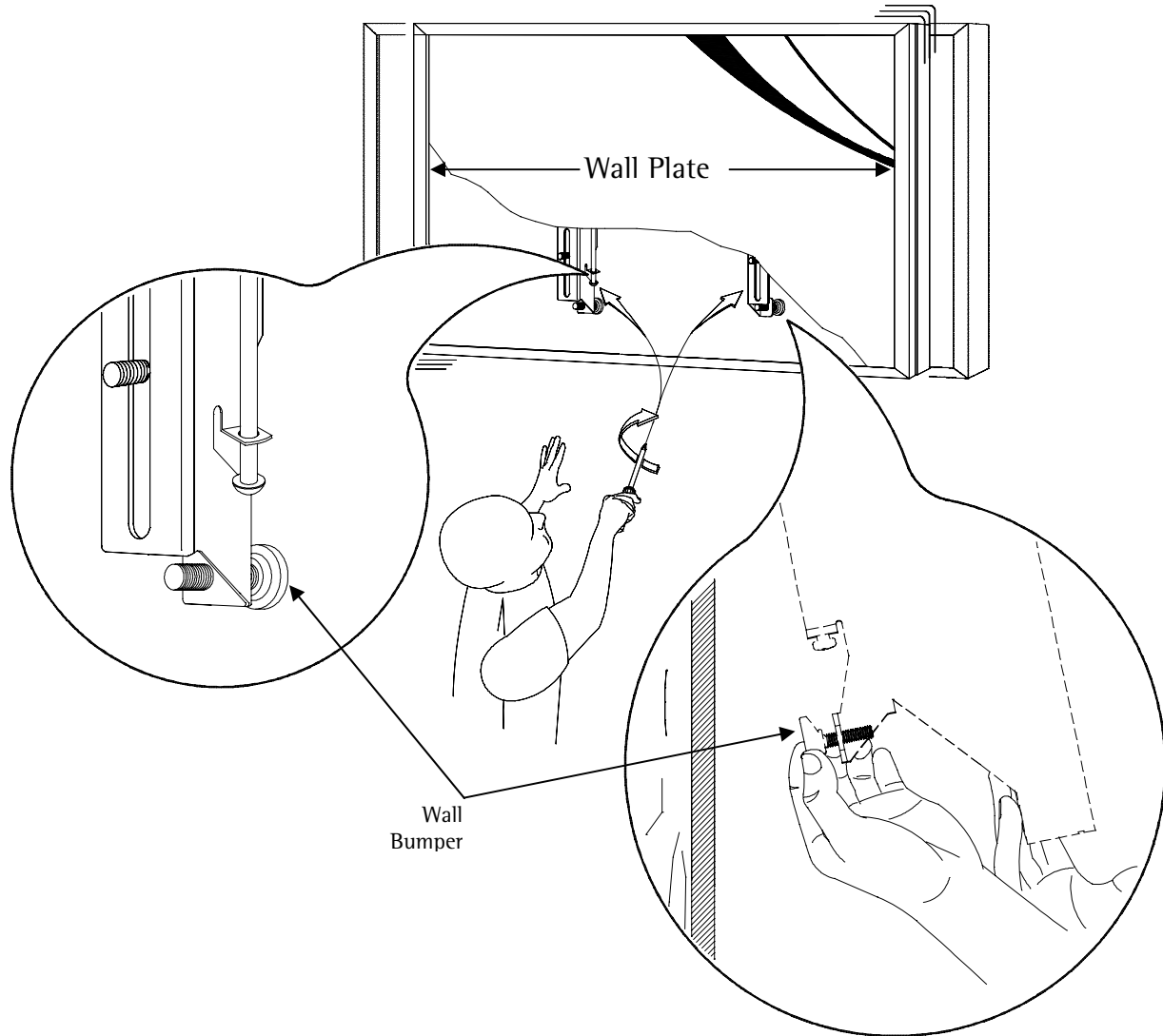


Figure 16

Technical Specifications

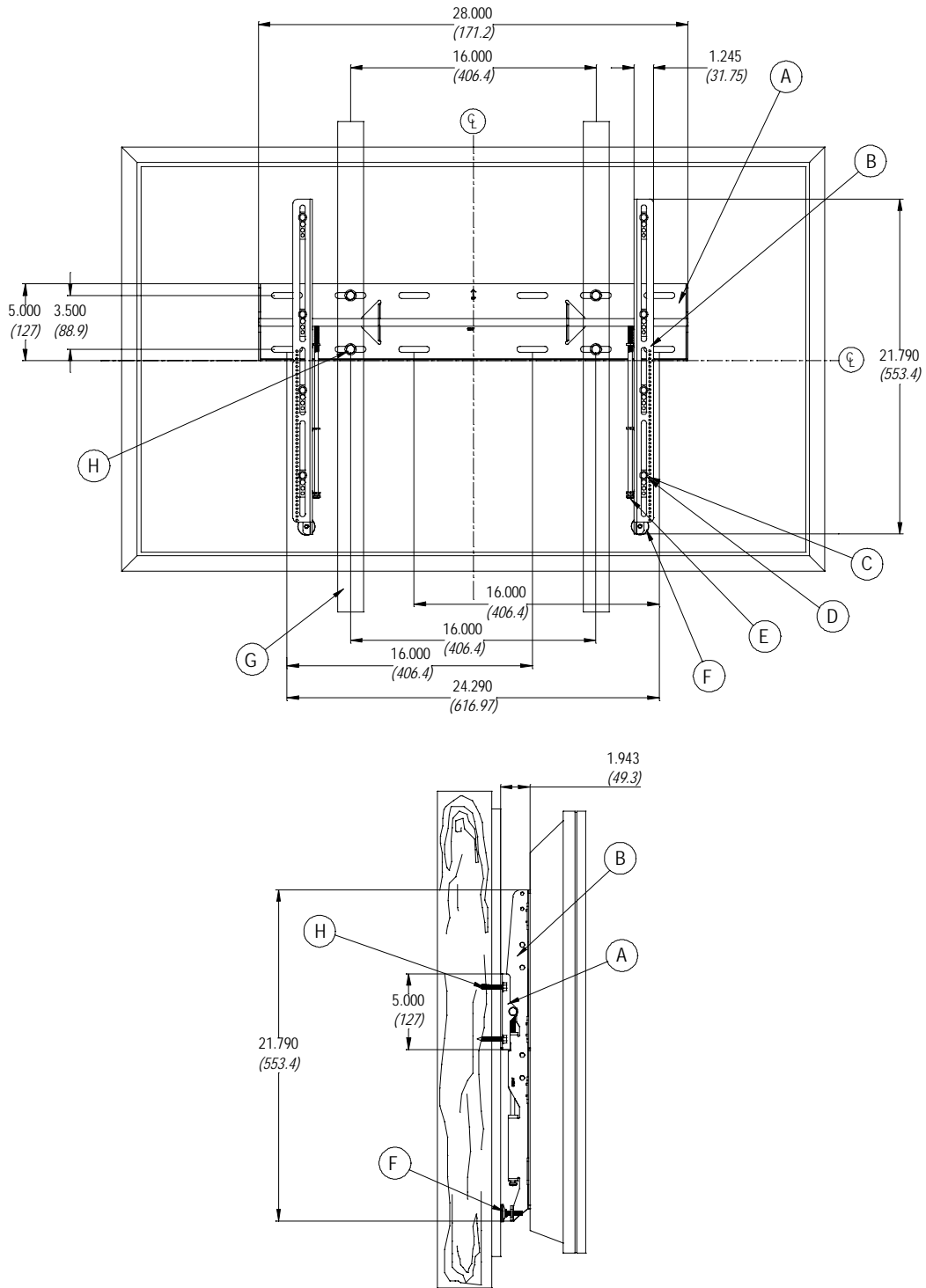


Figure 17

Warranty

Limited Lifetime Warranty

All Premier Mounts products carry a limited lifetime warranty from ship date against defects in materials and workmanship. Premier Mounts is not liable for improper installation that results in damage to mounts, adapters, display equipment or personal injury.

Contact Premier Mounts

In the event of missing and/or damage equipment, or technical questions, the following information can help in the completion of the installation.

Customer Service – (800) 368-9700 Ext. 224

Technical Support – techsupport@mounts.com

Notes

Premier Mounts

3130 E. Miraloma Avenue
Anaheim, CA 92806

Phone: (800) 368-9700

mounts@mounts.com

Fax: (800) 832-4888

www.mounts.com

Free Manuals Download Website

<http://myh66.com>

<http://usermanuals.us>

<http://www.somanuals.com>

<http://www.4manuals.cc>

<http://www.manual-lib.com>

<http://www.404manual.com>

<http://www.luxmanual.com>

<http://aubethermostatmanual.com>

Golf course search by state

<http://golfingnear.com>

Email search by domain

<http://emailbydomain.com>

Auto manuals search

<http://auto.somanuals.com>

TV manuals search

<http://tv.somanuals.com>