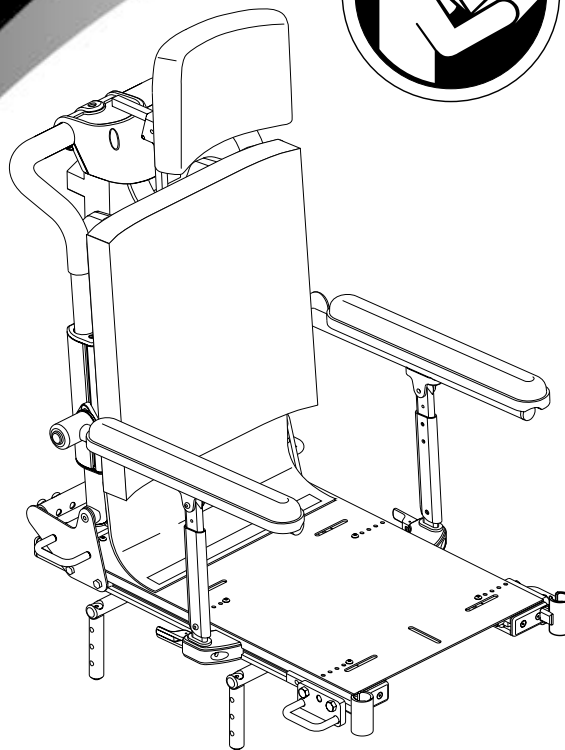


Synergy TRU-Balance™ Power Recline Basic Operation Instructions

ACN# 088 609 661



QUANTUM®
REHAB
INNOVATIVE REHAB SOLUTIONS

A Division of Pride Mobility Products® Corp.

INFORMATION LABELING

The symbols below are used throughout this owner's manual and on the power chair to identify warnings and important information. It is very important for you to read them and understand them completely.



WARNING! Failure to follow designated procedures can cause either personal injury, component damage, or malfunction (black symbol on yellow triangle with black border).



MANDATORY! These actions should be performed as specified. Failure to perform mandatory actions can cause injury to personnel and/or damage to equipment (white symbol on blue dot with white border).



PROHIBITED! These actions are prohibited. These actions should not be performed at any time or in any circumstances. Performing a prohibited action can cause injury to personnel and/or damage to equipment (black symbol with red circle and red slash).



Read and follow the information in the owner's manual.



Avoid exposure to rain, snow, ice, salt, or standing water whenever possible. Maintain and store in a clean and dry condition.



Pinch/Crush points created during assembly.



EMI-RFI - Passed EMI-RFI 20 V/m

Copyright © 2006
Pride Mobility Products Corporation
INFMANU2396/Rev B/April 06

Synergy TRU-Balance Power Recline www.quantumrehab.com

TABLE OF CONTENTS

SAFETY	4
THE SYNERGY TRU-BALANCE POWER RECLINE	6
PRECAUTIONARY GUIDELINES	6
OPERATING THE SYNERGY TRU-BALANCE POWER RECLINE	9
POWER SEAT ELEVATOR OPTION	16
HIGH-PIVOT POWER ELEVATING LEG RESTS OPTION	17
POWER ARTICULATING LEG RESTS OPTION	18
SWING-AWAY POWER ARTICULATING LEG RESTS OPTION	19
CONTROLLER POSITION	20
REMOVING THE ARMRESTS	21
CARE AND MAINTENANCE	21
WARRANTY	22

INTRODUCTION

WELCOME to Quantum Rehab, a division of Pride Mobility Products Corporation (Pride). The product you have purchased combines state-of-the-art components with **safety**, comfort, and styling in mind. We are confident that the design features will provide you with the conveniences you expect during your daily activities. Understanding how to **safely** operate and care for this product should bring you years of trouble free operations and service.

Read and follow all instructions, warnings, and notes in this manual and all other accompanying literature before attempting to operate this product for the first time. In addition, your **safety** depends upon you, as well as your provider, caretaker, or healthcare professional in using good judgement.

This manual is to be used in addition to the power base owner's manual that came with your power chair. If there is any information in this manual which you do not understand, or if you require additional assistance for setup or operation, please contact your Quantum Rehab Specialist. **Failure to follow the instructions, warnings, and notes in this manual and those located on your Pride product can result in personal injury and/or product damage and will void Pride's product warranty.**

PURCHASER'S AGREEMENT

By accepting delivery of this product, you promise that you will not change, alter, or modify this product or remove or render inoperable or unsafe any guards, shields, or other safety features of this product; fail, refuse, or neglect to install any retrofit kits from time to time provided by Pride to enhance or preserve the safe use of this product.

INFORMATION EXCHANGE

We want to hear your questions, comments, and suggestions about this manual. We would also like to hear about the safety and reliability of your new Pride product, and about the service you received from your Quantum Rehab Specialist. Please notify us of any change of address, so we can keep you apprised of important information about safety, new products, and new options that can increase your ability to use and enjoy your Pride product. Please feel free to contact us at the following address:

Synergy TRU-Balance Power Recline www.quantumrehab.com

Pride Mobility Products Corporation
Attn: Customer Care Department
182 Susquehanna Avenue
Exeter, PA 18643-2694

NOTE: If you ever lose or misplace your product registration card or your copy of this manual, contact us and we will be glad to send you a new one immediately.

PRIDE OWNERS CLUB

As an owner of a Pride product, you are encouraged to enroll in the Pride Owners Club. Complete and return your enclosed product registration card or visit Pride's web site at www.pridemobility.com.

From our home page, select "Owners Club" to enter a page dedicated to current and potential Pride product owners. You will gain access to interviews, stories, recreation ideas, daily living tips, product and funding information, and interactive message boards. These message boards invite you to communicate with other Pride customers as well as Pride representatives who are available to assist you with any questions or concerns.

My Quantum Rehab Specialist Is:

Name: _____

Address: _____

Phone Number: _____

Purchase Date: _____

THE TRU-BALANCE POWER RECLINE

The TRU-Balance Power Recline is a unique seating system designed specifically for the Pride Power Chair. It is fully adjustable to meet the individual needs of the user, and it is mounted to a Pride power base to provide maximum maneuverability.

Reusable hook and loop fasteners are included in your owner's package for use in attaching the seat cushion to the seat base. These fasteners are not intended for use on cushions with anti-skid material, as they may damage the seat cushion.

Figure 1 provides information on the TRU-Balance Power Recline components. Use this diagram to familiarize yourself with the function and location of each component before using the TRU-Balance Power Recline.

PRECAUTIONARY GUIDELINES

Before operating the TRU-Balance Power Recline, please read the following. These guidelines are provided for your benefit and will aid you in the safe operation of the seating system.

- Turn off the power before you are seated in the seating system.
- Always have assistance when you are being seated in the seating system.
- Follow all of the procedures and heed the warnings as explained in your power chair owner's manual.

WARNING! Your Quantum Rehab Specialist configured your TRU-Balance Seating System to suit your specific requirements. Do not change the original configuration without first contacting your Quantum Rehab Specialist.

WARNING! Should the fittings on your TRU-Balance Seating System become loose, report the problem immediately to your Quantum Rehab Specialist.



WARNING! Your TRU-Balance Seating System is not approved for use as a seat in any vehicle. Use the seats and occupant restraints provided by the manufacturer of the vehicle.

WARNING! Do not exceed the weight capacity listed in your power chair owner's manual or 300 lbs. (136 kg), whichever is less.



WARNING! Traveling to the full recline position could create a pinch point. Keep all body parts away from the lower back cane brackets when reclining.

Failure to heed the above warnings can result in personal injury and/or equipment damage.

Synergy TRU-Balance Power Recline www.quantumrehab.com

Electromagnetic and Radio Frequency Interference (EMI/RFI)



WARNING! Laboratory tests have shown that electromagnetic and radio frequency waves can have an adverse affect on the performance of electrically-powered mobility vehicles.

Electromagnetic and Radio Frequency Interference can come from sources such as cellular phones, mobile two-way radios (such as walkie-talkies), radio stations, TV stations, amateur radio (HAM) transmitters, wireless computer links, microwave signals, paging transmitters, and medium-range mobile transceivers used by emergency vehicles. In some cases, these waves can cause unintended movement or damage to the control system. Every electrically-powered mobility vehicle has an immunity (or resistance) to EMI. The higher the immunity level, the greater the protection against EMI. This product has been tested and has passed at an immunity level of 20 V/m.



WARNING! Be aware that cell phones, two-way radios, laptops, and other types of radio transmitters may cause unintended movement of your electrically-powered mobility vehicle due to EMI. Exercise caution when using any of these items while operating your mobility vehicle and avoid coming into close proximity of radio and TV stations.

WARNING! The addition of accessories or components to the electrically-powered mobility vehicle can increase the susceptibility of the vehicle to EMI. Do not modify your power chair in any way not authorized by Pride.

WARNING! The electrically-powered mobility vehicle itself can disturb the performance of other electrical devices located nearby, such as alarm systems.

NOTE: For further information on EMI/RFI, go to the Resource Center on www.pridemobility.com. If unintended motion or brake release occurs, turn your power chair off as soon as it is safe to do so. Call Pride at 800-424-8205 to report the incident.

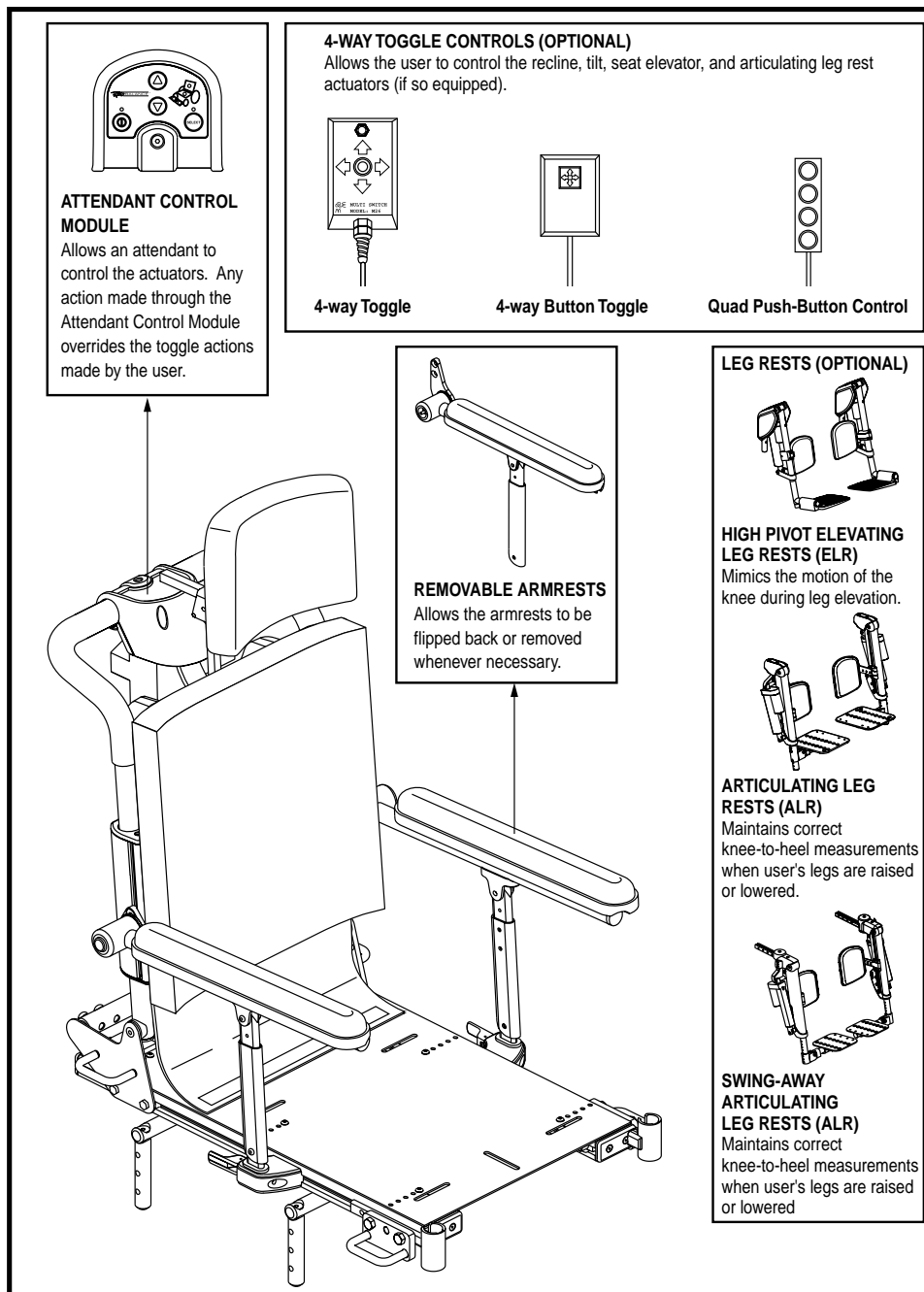


Figure 1. Components of the Synergy TRU-Balance Power Recline

OPERATING THE SYNERGY TRU-BALANCE POWER RECLINE

The Synergy TRU-Balance Power Recline can be operated through the PG Remote Plus joystick, a specialty controller, the Attendant Control Module, or a toggle (see figure 4, 5, and 6). There are inhibits on your Synergy Seating System which will not allow you to drive your power chair or operate certain options when reclined or elevated. See figure 2.



WARNING! Check the immediate area before operating the recline features. Keep clear prior to and during movement. Failure to heed can result in personal injury and/or equipment damage.

NOTE: *This manual will discuss toggle, joystick, and Attendant Control Module operations only. If your Synergy Seating System is equipped with a different operating device, please refer to the operation manual supplied with that device and/or your power chair owner’s manual.*

	Recline Lock Out	Tilt Lock Out	Elevate Lock Out	1/4 Speed	Full Drive Lock Out
Elevated	x	x		Active	
Tilted more than 5°				Active	
Tilted more than 20°			x		Active
Reclined more than 20°			x		Active
Tilted/reclined more than 170°	x	x	x		Active

Figure 2. Inhibit Matrix

The Synergy TRU-Balance Power Recline is at a normal position of 95° and can recline to 168° maximum, in infinite increments. See figure 3.

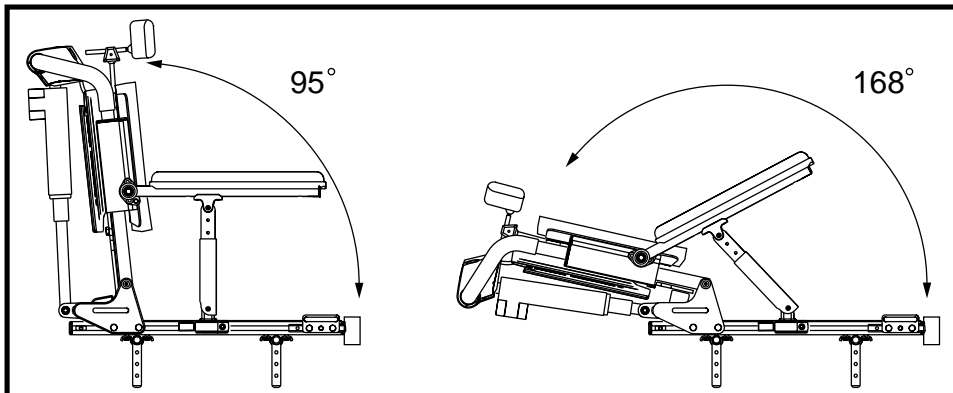


Figure 3. Angles of Recline

Toggle Operation

Your Synergy TRU-Balance Power Recline may be equipped with one of three available 4-way toggles, as well as an Attendant Control Module. The actuators can be adjusted either by the user through the toggle, or by an attendant through the Attendant Control Module. Any action made through the Attendant Control Module will override toggle actions.

NOTE: *Your TRU-Balance seating system may be equipped with any number of these functions.*

4-way Toggle

■ Recline Function

1. To recline, push the toggle switch forward.
2. To return to an upright position or a 95° recline position, push the toggle switch forward, release, then push forward again.

■ Tilt Function (Optional)

1. To tilt backward, pull the toggle switch backward.
2. To return to a sitting position or to a 0° tilt position, pull the toggle switch backward, release, then pull backward again.

■ Seat Elevator Function (Optional)

1. To elevate the seat, push the toggle switch to the left.
2. To lower the seat, push the toggle switch to the left, release, then push to the left again.

■ Combined Leg Rest Function (Optional)

1. To elevate both leg rests, push the toggle switch to the right.
2. To lower both leg rests, push the toggle switch to the right, release, then push to the right again.

■ Independent Leg Rest Function (Optional)

1. To elevate the left leg rest, push the toggle switch to the left.
2. To lower the left leg rest, push the toggle switch to the left, release, then push to the left again.
3. To elevate the right leg rest, push the toggle switch to the right.

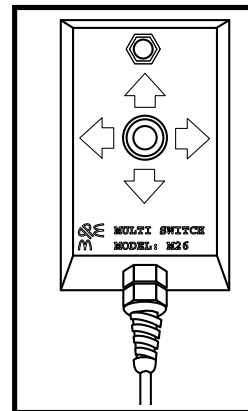


Figure 4. 4-way Toggle Operation

- To lower the right leg rest, push the toggle switch to the right, release, then push to the right again.

NOTE: *The power elevator option is not available when the independent leg rest option is selected.*

4-way Button Toggle

■ Recline Function

- To recline, push the toggle button forward.
- To return to an upright position or a 95° recline position, push the toggle button forward, release, then push forward again.

■ Tilt Function (Optional)

- To tilt backward, pull the toggle button backward.
- To return to a sitting position or to a 0° tilt position, pull the toggle button backward, release, then pull backward again.

■ Seat Elevator Function (Optional)

- To elevate the seat, push the toggle button to the left.
- To lower the seat, push the toggle button to the left, release, then push to the left again.

■ Combined Leg Rest Function (Optional)

- To elevate both leg rests, push the toggle button to the right.
- To lower both leg rests, push the toggle button to the right, release, then push to the right again.

■ Independent Leg Rest Function (Optional)

- To elevate the left leg rest, push the toggle button to the left.
- To lower the left leg rest, push the toggle button to the left, release, then push to the left again.
- To elevate the right leg rest, push the toggle button to the right.
- To lower the right leg rest, push the toggle button to the right, release, then push to the right again.

NOTE: *The power elevator option is not available when the independent leg rest option is selected.*

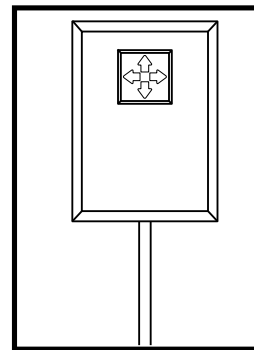


Figure 5. 4-way Button Toggle Operation

Quad Push-Button Control Toggle

■ Recline Function

1. To recline, push the second button.
2. To return to an upright position or a 95° recline position, push the second button again.

■ Tilt Function (Optional)

1. To tilt backward, push the first button.
2. To return to a sitting position or to a 0° tilt position, push the button again.

■ Seat Elevator Function (Optional)

1. To elevate the seat, push the third button.
2. To lower the seat, push the third button again.

■ Combined Leg Rest Function (Optional)

1. To elevate both leg rests, push the fourth button.
2. To lower both leg rests, push the fourth button again.

■ Independent Leg Rest Function (Optional)

1. To elevate the left leg rest, push the third button.
2. To lower the left leg rest, push the third button again.
3. To elevate the right leg rest, push the fourth button.
4. To lower the right leg rest, push the fourth button again.

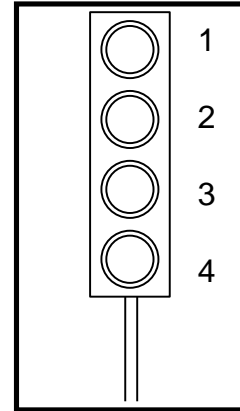


Figure 6. Quad Push-Button Control Toggle Operation

NOTE: The power elevator option is not available when the independent leg rest option is selected.

Attendant Control Module

Your Synergy TRU-Balance Power Recline is equipped with an Attendant Control Module (see figure 7). The actuators can be adjusted either by the user through the controller or the toggle, or by an attendant through the Attendant Control Module. Any action made through the Attendant Control Module will override toggle actions made by the user. To adjust any of the actuators, press Select to cycle until the actuator to be adjusted is illuminated on the actuator indicator (see figure 8), then press the up arrow to increase the lift or tilt or the down arrow to decrease the lift or tilt.

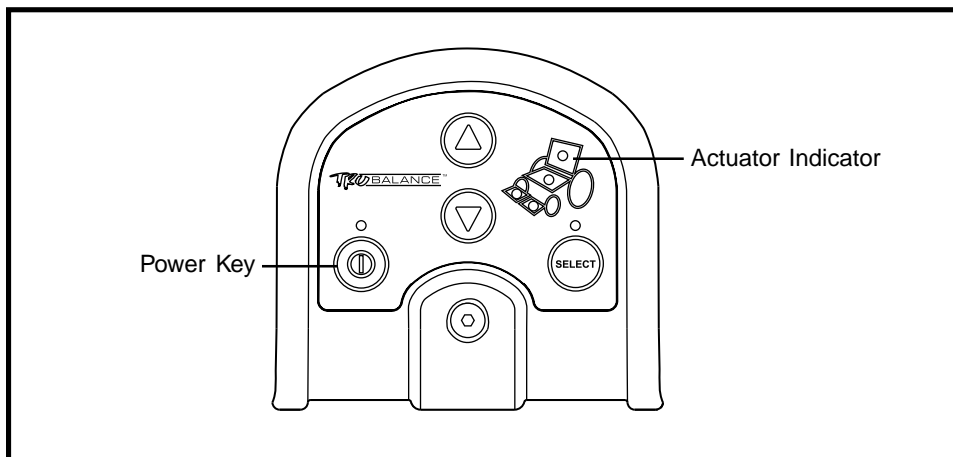


Figure 7. Attendant Control Module Functions

NOTE: *Your TRU-Balance Seating System may be equipped with some or all of these functions.*

■ Recline Function

1. Press the power key to power on the module.
2. Press Select until the actuator on the back is illuminated on the actuator indicator on the module. Use the up and down arrows to increase or decrease the angle of recline.
3. To return to an upright position or a 95° recline position, press Select until the actuator on the back is illuminated on the actuator indicator on the module, and then press the down arrow until the seatback is in the upright position.

■ Tilt Function (Optional)

1. Press the power key to power on the module.
2. Press Select until the actuators in both the back and seat are illuminated on the actuator indicator on the module. Use the up and down arrows to increase or decrease the degree of tilt.
3. To return to a sitting position or to a 0° tilt position, press Select until the actuators in both the back and seat are illuminated on the actuator indicator on the module, and then press the down arrow until the seat is in a sitting position.

■ Seat Elevator Function (Optional)

1. Press the power key to power on the module.
2. Press Select until the actuator on the seat is illuminated on the actuator indicator on the module. Use the up and down arrows to increase or decrease the height of the seat.
3. To lower the seat to its original position, press Select until the actuator on the seat is illuminated on the actuator indicator on the module, and then press the down arrow until the seat is lowered to its original position.

■ Leg Rest Function (Optional)

1. Press the power key to power on the module.
2. Press Select until the desired leg rest actuator is illuminated on the actuator indicator on the module. Use the up and down arrows to increase or decrease the degree of elevation.
3. To return the leg rest to a lowered position, press Select until the desired leg rest actuator is illuminated on the actuator indicator on the module, and then press the down arrow until the leg rest is in a lowered position.

■ Independent/Combined Leg Rest Function (Optional)

1. Press the power key to power on the module.
2. Press Select to cycle through the left, right, and combined leg rests until the desired leg rest actuator is illuminated on the actuator indicator on the module. Use the up and down arrows to increase or decrease the degree of elevation.

3. To return the leg rest to a lowered position, press Select to cycle through the left, right, and combined leg rests until the desired leg rest actuator is illuminated on the actuator indicator on the module, and then press the down arrow until the leg rest is in a lowered position.

Joystick Operation

1. Press the On/Off key to power on the chair and the controller.
2. Press the Mode key twice to select actuator adjustment mode.
3. Push the joystick to the right to cycle through the available motor functions until the seat back light is illuminated on the actuator indicator. See figure 8.
4. Push the joystick forward to raise the seatback or backward to recline the seatback.
5. Press the Mode key again to return to the drive mode.

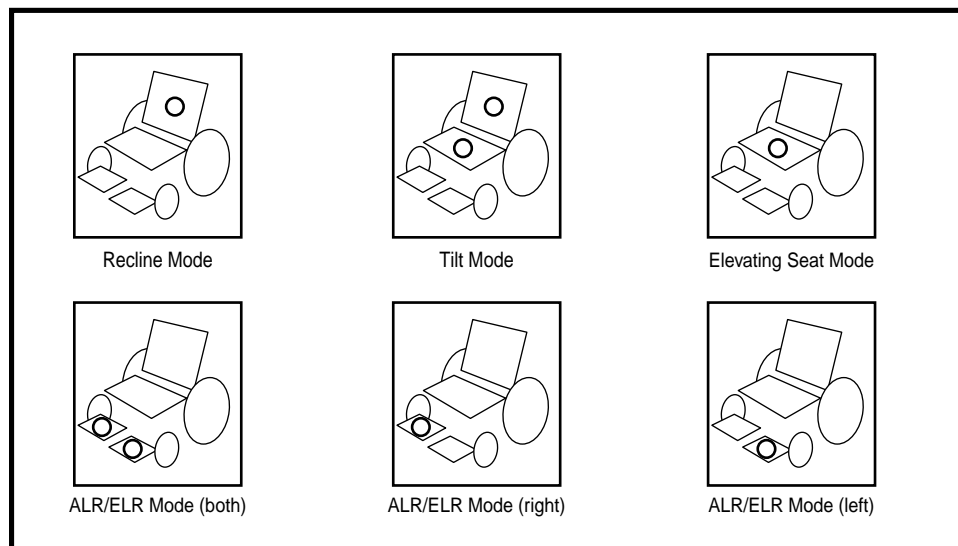


Figure 8. Actuator Modes

POWER SEAT ELEVATOR OPTION

The power seat elevator provides lift of up to 7 in. (18 cm) from the power base using a single post plate and actuator. See figure 9. The maximum weight capacity of the power seat elevator is 300 lbs. (136 kg) and is available on some models. Contact your Quantum Rehab Specialist for specific information. The power seat elevator operates through the power chair controller, toggle switch, or Attendant Control Module.

NOTE: *When the seat is elevated, a 1/4-speed drive inhibit is engaged and you are no longer able to tilt the seat. See figure 2.*

NOTE: *Operation instructions using the joystick 4-way toggles are discussed below. If you are using a different toggle, the Attendant Control Module, or a different operating device, please refer to the appropriate section of this manual or the operation manual supplied with that device and/or your power chair owner's manual.*

To operate the power seat elevator:

1. Push the toggle switch to the left to elevate the seat.
2. Push the toggle switch to the left, release, then push to the left again to lower the seat.

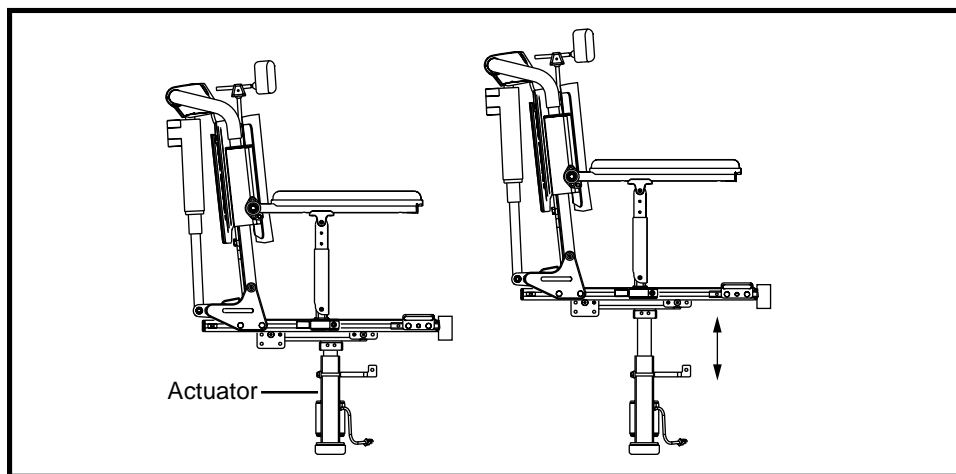


Figure 9. The Power Seat Elevator Option on a Synergy TRU-Balance Power Recline

HIGH-PIVOT POWER ELEVATING LEG RESTS OPTION

The high-pivot power elevating leg rests utilize a high pivot point to more closely mimic the motion of the knee during leg rest elevation. They can be adjusted either as a pair or individually. See figure 10. The high-pivot power elevating leg rests provide 70° of movement, have standard swing-away calf pads that are height adjustable, accept all foot plates, and have a maximum weight capacity of 300 lbs. (136 kg). They are available with all power bases that support upgraded electronics and that are available with Synergy Seating Systems. The high-pivot power elevating leg rests operate through the power chair controller or toggle switch.

NOTE: *Operation instructions using the joystick 4-way toggles are discussed below. If you are using a different toggle, the Attendant Control Module, or a different operating device, please refer to the appropriate section of this manual or the operation manual supplied with that device and/or your power chair owner's manual.*

NOTE: *For information on operating individual power elevating leg rests, please refer to the appropriate section of this manual that refers to the controller you are using, or contact your Quantum Rehab Specialist.*

To operate the combined leg rests:

1. Push the toggle switch to the right to elevate both leg rests.
2. Push the toggle switch to the right, release, then push to the right again to lower both leg rests.

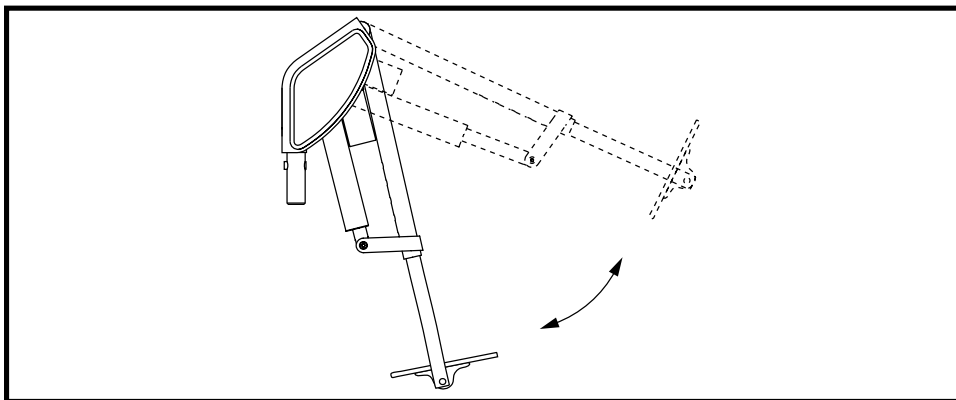


Figure 10. The High-Pivot Power Elevating Leg Rests Option

POWER ARTICULATING LEG RESTS OPTION

The power articulating leg rests maintain the correct knee-to-heel measurements when the user's legs are being elevated and can be adjusted either as a pair or individually. See figure 11. The power articulating leg rests provide 70° or 80° of movement, have standard swing-away calf pads that are depth and height adjustable, accept all foot plates, and have a maximum weight capacity of 300 lbs. (136 kg). They are available with all power bases that support upgraded electronics and that are available with Synergy Seating Systems. The power articulating leg rests operate through the power chair controller, toggle switch, or Attendant Control Module.

NOTE: *Operation instructions using the 4-way toggles are discussed below. If you are using a different toggle, the Attendant Control Module, or a different operating device, please refer to the appropriate section of this manual or the operation manual supplied with that device and/or your power chair owner's manual.*

NOTE: *For information on operating individual power articulating leg rests, please refer to the appropriate section of this manual that refers to the controller you are using, or contact your Quantum Rehab Specialist.*

To operate the combined leg rests:

1. Push the toggle switch to the right to elevate both leg rests.
2. Push the toggle switch to the right, release, then push to the right again to lower both leg rests.

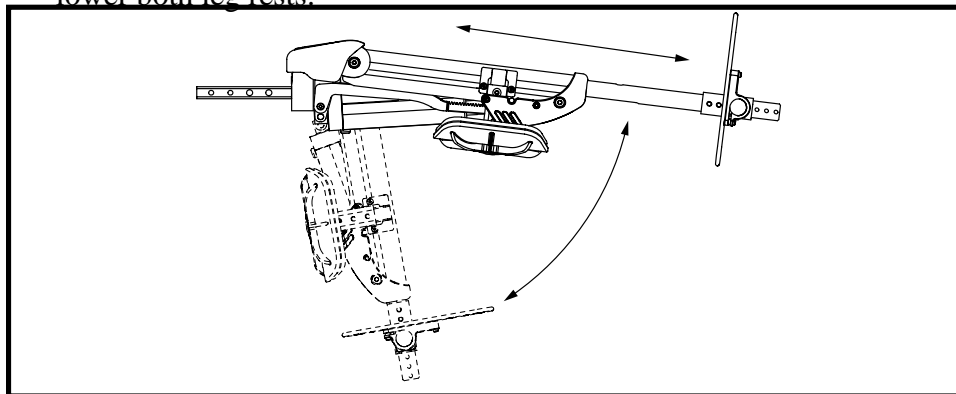


Figure 11. The Power Articulating Leg Rests Option

SWING-AWAY POWER ARTICULATING LEG RESTS OPTION

The swing-away power articulating leg rests are operated the same way and have the same features as the power articulating leg rests but have an added swing-away feature which enables you to rotate the leg rests to the side before you transfer onto or off of your power chair.

To rotate the swing-away power articulating leg rests:

1. Push in the release lever. See figure 12.
2. Rotate the leg rest.

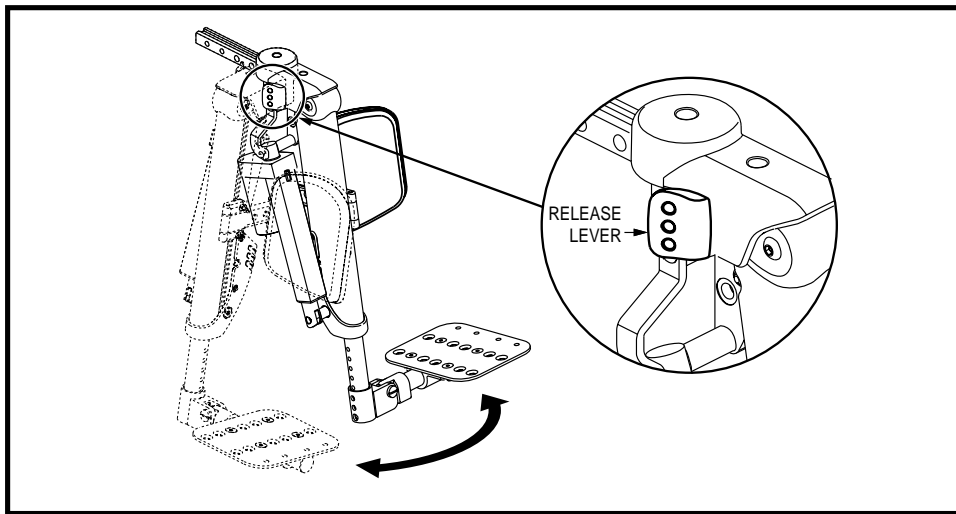


Figure 12. The Swing-away Power Articulating Leg Rests Option

CONTROLLER POSITION

You can position the controller for either left-hand or right-hand use. You can also adjust the extension of the controller from the armrest.



WARNING! Do not place the controller cable so that it can be pinched in the seat frame or the power base frame.

To change the controller position:

1. Turn off the power to the controller.
2. Unplug the controller connector from the power base. Refer to the power base owner's manual.
3. Remove any wire ties securing the controller cable to the armrest.
4. Loosen the mounting screws in the controller mounting block. See figure 13.
5. Move the controller mounting block and controller to the other armrest and tighten the mounting screws.
6. Route the controller cable to the back of the power base and reconnect the controller. See figure 14.

To change the controller extension:

1. Turn off the power to the controller.
2. Loosen the setscrews in the controller mounting block. See figure 13.
3. Slide the controller into or out of the armrest to the desired position.
4. Tighten the setscrews to secure the controller.

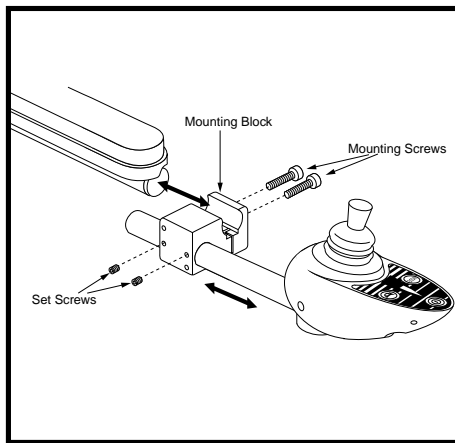


Figure 13. Controller Position - Mounting Block

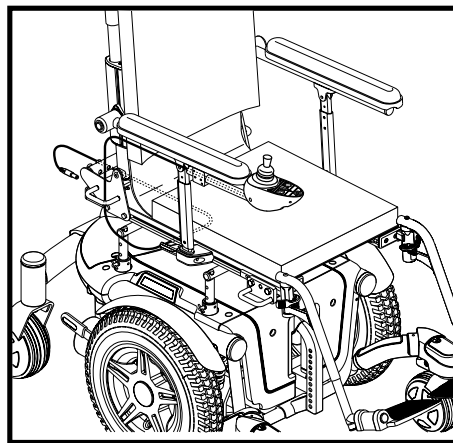


Figure 14. Cable Routing

REMOVING THE ARMRESTS

The armrests on your Synergy TRU-Balance Power Recline are unique to this model and can only be adjusted by your Quantum Rehab Specialist. However, you can remove the armrests if necessary.

To remove the armrests:

1. Pull the armrest lock lever on the seat base toward you. See figure 15.
2. Press the button on the side tube. See figure 15.
3. Pull up and out on the armrest to remove it from the seat. See figure 16.

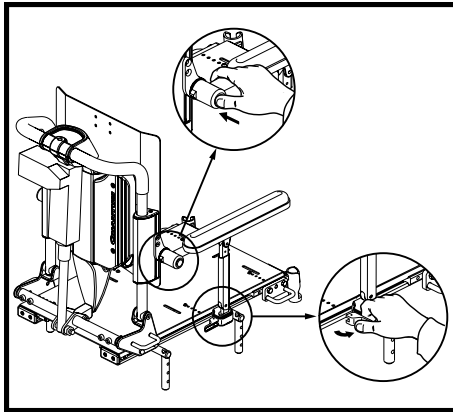


Figure 15. Armrest Unlock

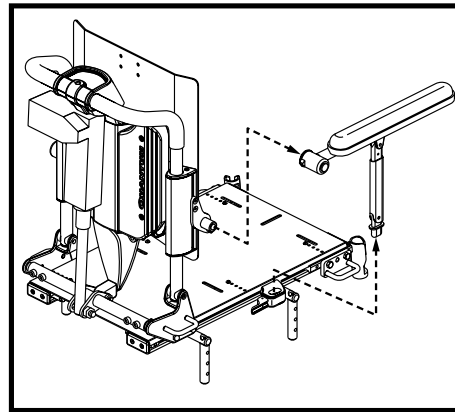


Figure 16. Armrest Removal

CARE AND MAINTENANCE

- Make sure all hardware is secured properly, but do not overtighten any hardware.
- To clean the seating system, wipe it with a cloth dampened with mild soap and water. Thoroughly dry the unit before using.



MANDATORY! Avoid exposure to rain, snow, ice, salt, or standing water whenever possible. Maintain and store in a clean and dry condition.

Failure to heed can cause personal injury and/or equipment damage.

WARRANTY

Three-Year Limited Warranty

For three (3) years from the date of purchase, Pride will repair or replace at our option to the original purchaser, free of charge, any of the following parts found upon examination by an authorized representative of Pride to be defective in material and/or workmanship:

- Structural frame components

Two-Year Limited Warranty

For two (2) years from the date of purchase, Pride will repair or replace at our option to the original purchaser, free of charge, any of the following parts found upon examination by an authorized representative of Pride to be defective in material and/or workmanship:

- Electronics

Eighteen-Month Warranty

For eighteen (18) months from the date of purchase, Pride will repair or replace at our option to the original purchaser, free of charge, any of the following parts found upon examination by an authorized representative of Pride to be defective in material and/or workmanship:

- Actuator

Warranty service can be performed by an authorized Pride Provider or by Pride. Do not return faulty parts to Pride without prior consent. All transportation costs and shipping damage incurred while submitting parts for repair or replacement are the responsibility of the original purchaser.

Warranty Exclusions

- Upholstery and seating
- Repairs and/or modifications made to any part without specific consent from Pride
- Circumstances beyond the control of Pride
- Labor, service calls, shipping, and other charges incurred for repair of the product, unless specifically authorized by Pride.

- Damage caused by:
 - Battery fluid spillage or leakage
 - Abuse, misuse, accident, or negligence
 - Improper operation, maintenance, or storage
 - Commercial use or use other than normal

This is the exclusive remedy. Liabilities for consequential damages under any and all warranties are excluded.

There is no other express warranty.

Implied warranties, including those of merchantability and fitness for a particular purpose, are limited to one (1) year from the date of purchase and to the extent permitted by law. Any and all implied warranties are excluded.

Some states do not allow limitations on how long an implied warranty lasts or do not allow the exclusion of limitation of incidental or consequential damages, so the above limitation or exclusion may not apply to you.

This warranty gives you specific rights, and you may also have other rights which vary from state to state.

Please fill out and return the product registration card to Pride Mobility Products Corporation. This will aid Pride in providing the best possible technical and customer service.

NOTE: If you ever lose or misplace your product registration card or this manual, contact us and we will be glad to send you a new one immediately.

QUANTUM[®]

REHAB

INNOVATIVE REHAB SOLUTIONS

A Division of Pride Mobility Products[®] Corp.

www.pridemobility.com
www.prideservice.com
www.quantumrehab.com

Pride Mobility Products Corporation
182 Susquehanna Avenue
Exeter, PA 18643-2694
USA

Pride Mobility Products Company
380 Vansickle Road Unit 350
St. Catharines, Ontario L2R 6P7
Canada

Pride Mobility Products Ltd.
Unit 106, Heyford Park Camp Road
Upper Heyford, Oxfordshire OX25 5HA

Pride Mobility Products Australia Pty. Ltd.
21 Healey Road
Dandenong, 3175
Victoria, Australia

Pride Mobility Products Italia S.r.l.
Via del Progresso - ang. Via del Lavoro
Loc. Prato della Corte
00065-Fiano Romano (RM)

Pride Mobility Products Europe B.V.
Tijnmuiden 28
1046 AL Amsterdam
The Netherlands

* I NFMANU2396 *

Pride

Free Manuals Download Website

<http://myh66.com>

<http://usermanuals.us>

<http://www.somanuals.com>

<http://www.4manuals.cc>

<http://www.manual-lib.com>

<http://www.404manual.com>

<http://www.luxmanual.com>

<http://aubethermostatmanual.com>

Golf course search by state

<http://golfingnear.com>

Email search by domain

<http://emailbydomain.com>

Auto manuals search

<http://auto.somanuals.com>

TV manuals search

<http://tv.somanuals.com>