



Owners Manual

PDWT5 w/ 70 Volt Transformer

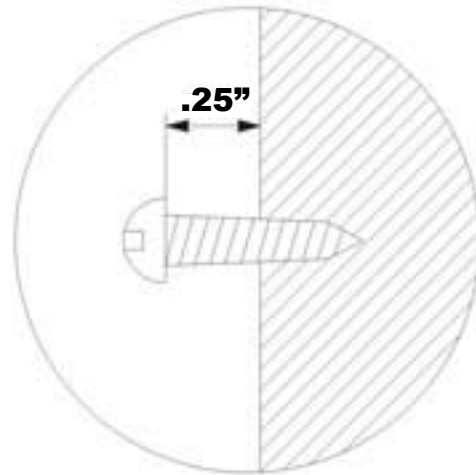
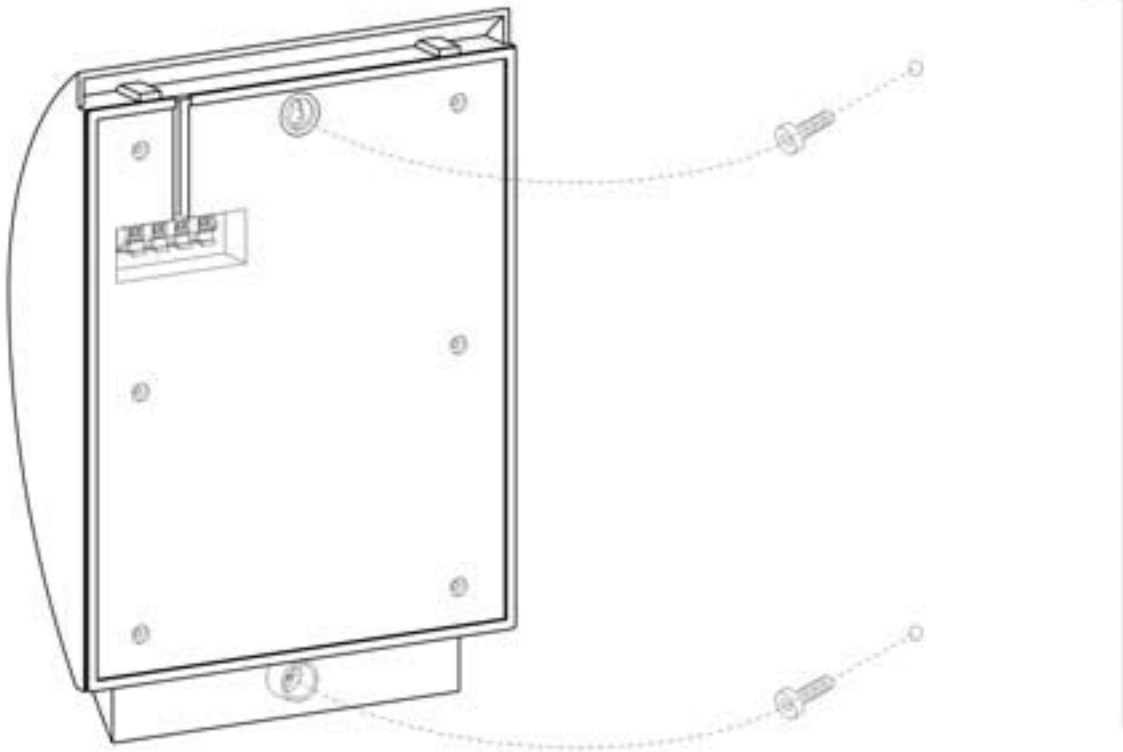
PDWT6 w/ 70 Volt Transformer

Indoor Surface Mount Wall Speaker

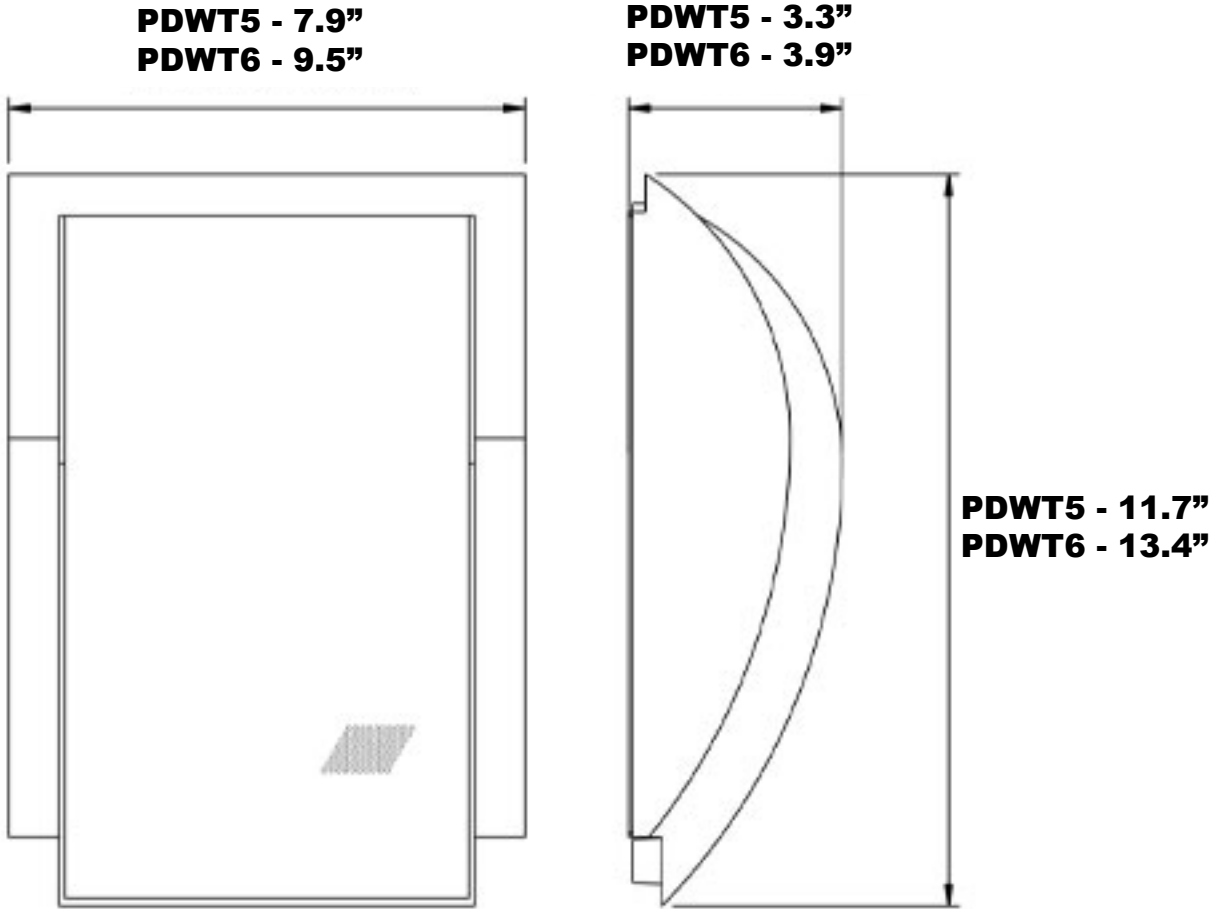
How to use

1. Careful attention should be required for the polarity when more than two speakers are in operation at the same place, otherwise the sound of poor quality and/or sound pressure of low level will be reproduced. Connection should be made in the same way as in the case of battery, same polarity with parallel connection and different polarity with series connection.
2. When long wiring is called for, the low impedance connection invites large power loss, resulting in inefficient operation of speakers. In case wiring becomes longer than 50 meters, equip matching transformer and use with proper high impedance.
3. Connect the speakers to be equal the total input power (wattage) to the output power of amplifier for high impedance connection. It means the impedance matching.
4. Do not operate the unit for an extended period of time with the sound distorting. This is an indication of a malfunction, which in turn can cause heat to generate and result in a fire.

Mounting



Dimensions



Specifications

Technical data	PDWT5	PDWT6
Load rating	35 W	50W
Transformer tapings	6/3/1.5W(70V)	10/5/2.5W(70V)
Frequency range	150Hz-17KHz	130Hz-15KHz
SPL(@1W/m)	90 dB	92 dB
Spsaker Ø(mm) and Impedance	5 ¼"8Ω	6 ½"8Ω
Dimension H×W×D(mm)	296×200×84mm	340×240×99mm
Material	ABS	ABS

Free Manuals Download Website

<http://myh66.com>

<http://usermanuals.us>

<http://www.somanuals.com>

<http://www.4manuals.cc>

<http://www.manual-lib.com>

<http://www.404manual.com>

<http://www.luxmanual.com>

<http://aubethermostatmanual.com>

Golf course search by state

<http://golfingnear.com>

Email search by domain

<http://emailbydomain.com>

Auto manuals search

<http://auto.somanuals.com>

TV manuals search

<http://tv.somanuals.com>