



Owners Manual

PHSP6K
w/ 70 Volt Transformer

PHSP8K
w/ 70 Volt Transformer

PHSP12K
w/ 70 Volt Transformer

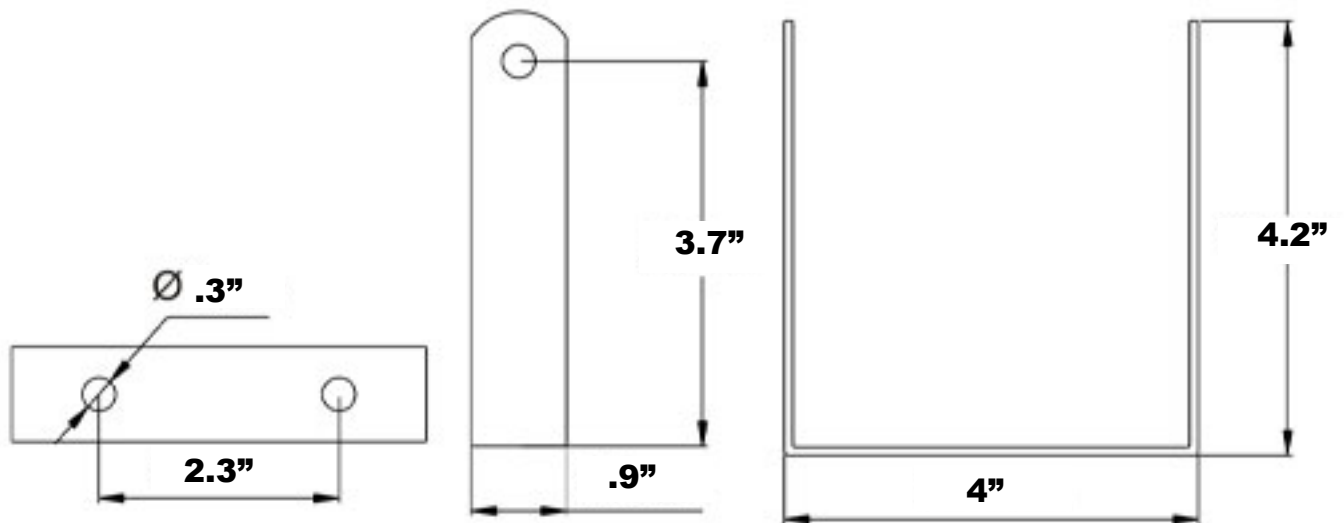
How to use

1. Careful attention should be required for the polarity when more than two speakers are in operation at the same place, otherwise the sound of poor quality and/or sound pressure of low level will be reproduced. Connection should be made in the same way as in the case of battery, same polarity with parallel connection and different polarity with series connection.
2. When long wiring is called for, the low impedance connection invites large power loss, resulting in inefficient operation of speakers. In case wiring becomes longer than 50 meters, equip matching transformer and use with proper high impedance.
3. For low impedance connection, the total impedance of speakers should be equal to output impedance of amplifier.
4. Do not operate the unit for an extended period of time with the sound distorting. This is an indication of a malfunction, which in turn can cause heat to generate and result in a fire.

Speaker

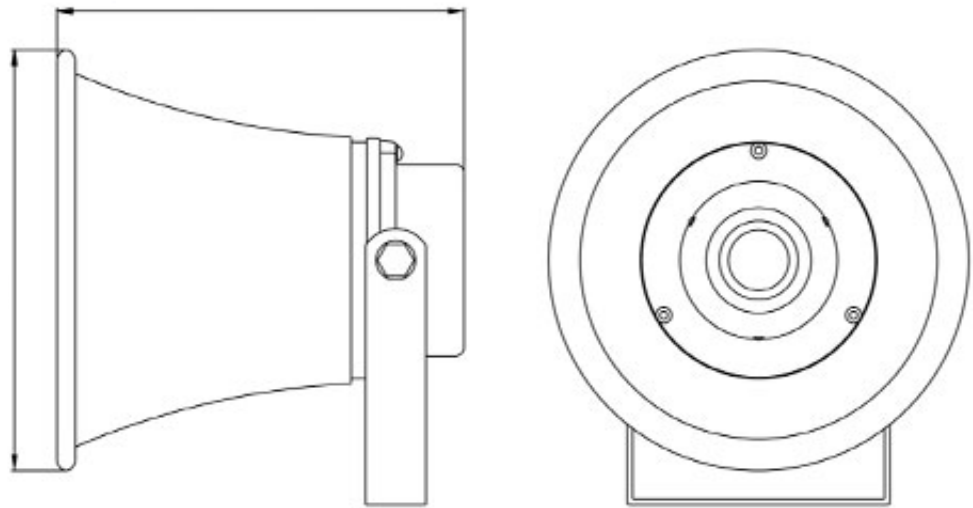


Bracket



PHSP6K - 6.1"
PHSK8K - 7.9"
PSSK12K - 9"

PHSP6K - 6.3"
PHSK8K - 8.1"
PSSK12K - 10"



Technical data	PHSP6K	PHSP8K	PHSP12K
Load rating	25W	50W	55W
Nominal impedance	8 ohms	8 ohms	8 ohms
Frequency range	400Hz-6KHz	400Hz-6KHz	400Hz-5KHz
SPL(@1W/m)	100 dB	103 dB	105 dB
Dimension Ø×D(mm)	Ø160×155mm	Ø206×200mm	Ø260×228mm
Material	ALU	ALU	ALU

Free Manuals Download Website

<http://myh66.com>

<http://usermanuals.us>

<http://www.somanuals.com>

<http://www.4manuals.cc>

<http://www.manual-lib.com>

<http://www.404manual.com>

<http://www.luxmanual.com>

<http://aubethermostatmanual.com>

Golf course search by state

<http://golfingnear.com>

Email search by domain

<http://emailbydomain.com>

Auto manuals search

<http://auto.somanuals.com>

TV manuals search

<http://tv.somanuals.com>