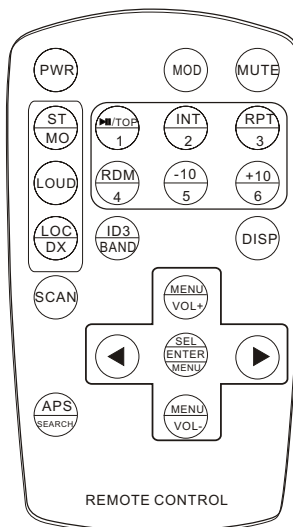
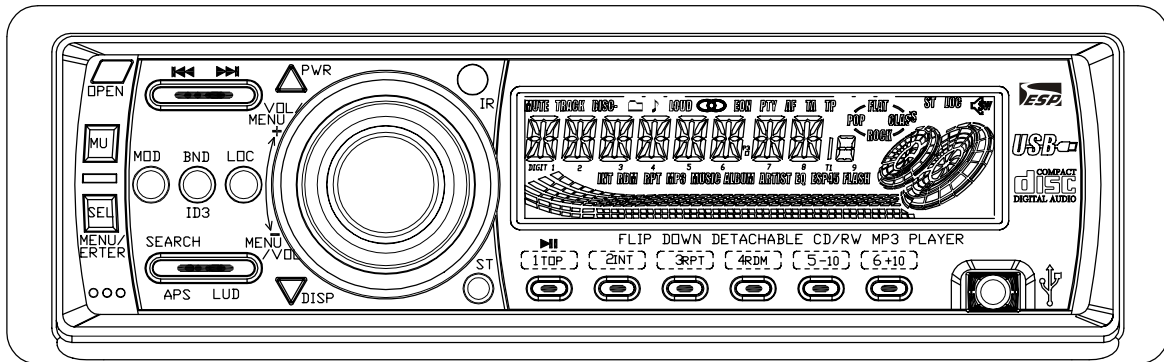


# PYLE®

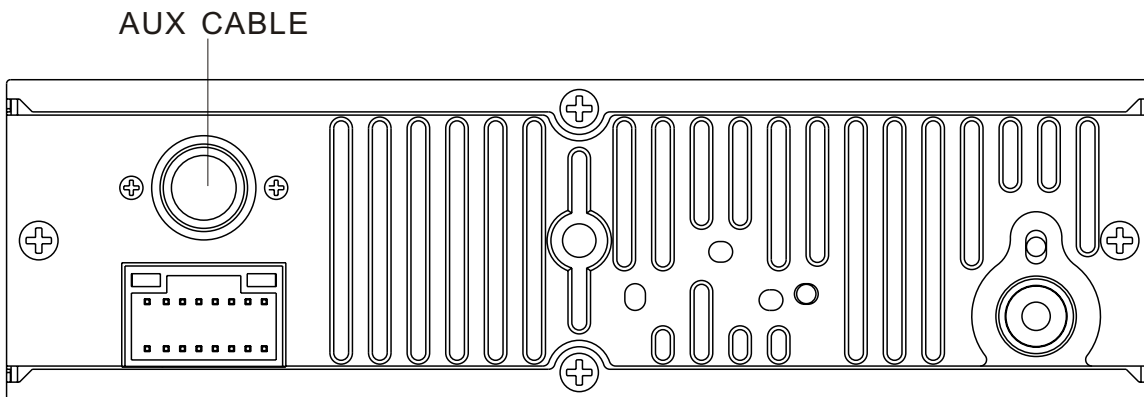
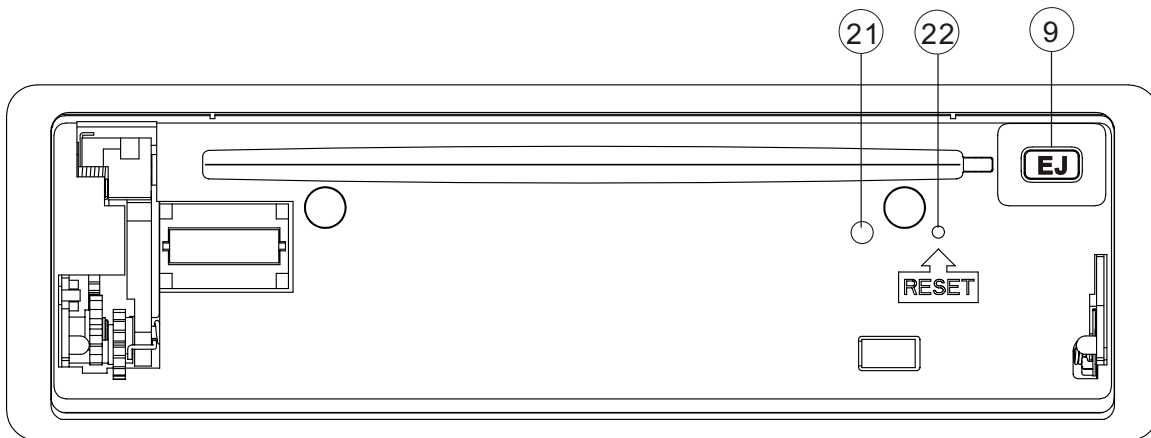
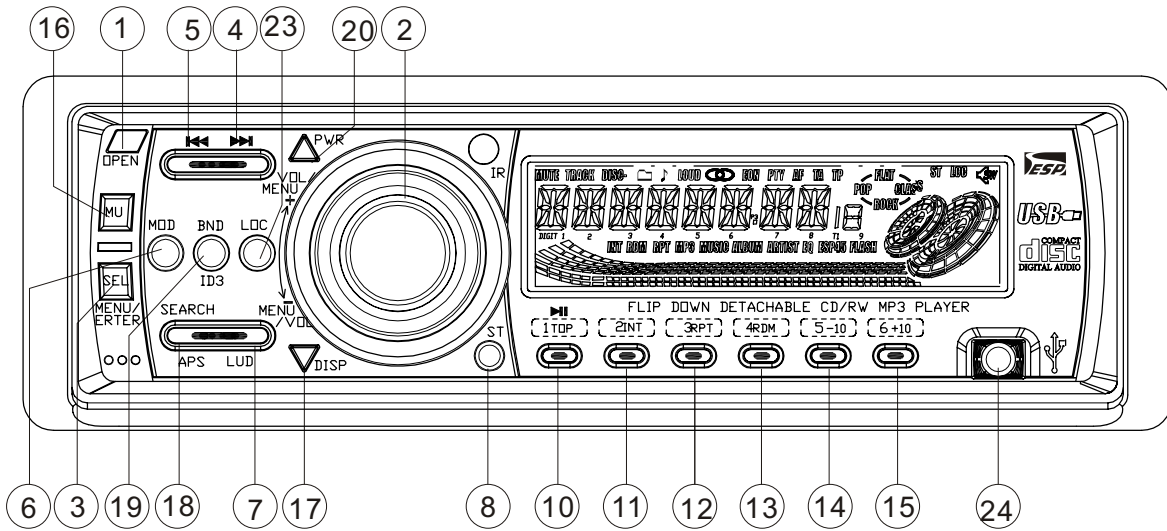
## PLCD95UM

# INSTRUCTION MANUAL



ANTI-THEFT FLIP DOWN DETACHABLE PANEL  
AUTO-LOADING CD/MP3 COMPACT DISC PLAYER  
AM/FM DIGITAL PLL TUNING RADIO  
WITH ESP FUNCTION & INFRARED REMOTE CONTROLLER  
[www.pyleaudio.com](http://www.pyleaudio.com)

# BASIC OPERATION



# BASIC OPERATION

---

## 1. OPEN BUTTON

Press it to flip down the front panel then you can insert the CD disc into the CD compartment .

## 2.VOLUME(MENU)+/-KNOB

Rotate the VOL+/-button to adjust volume level.

IN MENU MODE: Rotate the vol+/- button also can adjust the selected mode.

IN MP3 MODE: Press search button to select track or file search, and then press ENTER button to enter track or file search and using the vol+/- button to move track or file search upward or downward.

## 3.SEL/MNU(ENTER) BUTTON

Press SEL button immediately to move display through volume, bass, treble and balance functions. Use vol+/-button to adjust the select mode. When mode has not been adjusted for several seconds, display returns to normal radio or cd display.

VOL → BAS → TRE → BAL → FAD  
(VOLUME) (BASS) (TREBLE) (BALANCE) (FADER)

Note:

During press SEL button if any one of the EQ mode is turned on, LCD display only indicate as follows:

VOL → BAS → FAD  
(VOLUME) (BASS) (FADER)

A. Adjust volume level by using vol+/- button

NOTE: The unit is initially set to volume mode.

B. Press the SEL button to select volume ,bass, treble, balance, fader mode than use volume+/- button to adjust the level of them.

NOTE: The fader function controls balance between front or rear speakers for four speakers system

C. Press and hold SEL button for one second to move display through EQ, ESP, MULT, WOOFER(the woofer function for woofer version only), and BEEP functions. When mode has not been adjusted for several seconds, display return to normal radio or cd display.and then use vol+/- button to adjust the selected mode as follows:

EQ:  FLAT M → CLASS M → ROCK M → POP M → DSP OFF

ESP:  ESP '12 → ESP '45

MULT:  MULT ON → MULT OFF

WOOFER:  WOOFER ON → WOOFER OFF

BEEP:  BEEP ON → BEEP OFF

D. IN mp3 playback, Used for enter track and file search during MP3 mode after press SEARCH button during track search, after selecting the desired track with 1 digit or 2 digits, selected song begins to play after enter button is pressed for longer than 0.5 second. During file search, when enter button is pressed or longer than 0.5second.at the current directory mode, first song in the corresponding director will begin playing.

# BASIC OPERATION

---

## 4.5. TRACK UP /DOWN BUTTONS

- A. During RADIO mode, press and hold **▶▶▶** or **◀◀◀** for more than 2 seconds you can auto search channel. Then press **▶▶▶** or **◀◀◀**, you can have manual search channel.
- B. During CD mode, Press **▶▶▶** or **◀◀◀** button to choose the following track or the previous track. Press and hold **▶▶▶** or **◀◀◀** button for several seconds to fast forward or fast reverse. Releasing the button to stop fast playing
- C. IN MP3 MODE: Press the **▶▶▶** or **◀◀◀** button once to choose the next or previous track under normal MP3 playback.

## 6. MODE BUTTON

Press it repeatedly to select CDP, AUX and RADIO mode in sequence and circulation.

## 7. LUD

When reduce volume to half level, press it to enhance the bass effect.

## 8. ST BUTTON

Press ST button to stereo reception for radio stations.

## 9. EJECT BUTTON

Press it to eject the DISC .

## 10-11-12-13-14-15. PRESET MEMORY BUTTONS

- A. To memorize the current frequency, press any one of the six preset Buttons hold for more than 2 seconds.
- B. To recall the preset memory, press one of the preset buttons [1-6].
- C. In CDP mode, press 1TOP button to pause CDP playing, press it again to resume CDP playing. Long press 1 TOP button to select the first track/chapter to play.
- D. In CDP mode, press 2INT button to play the first 10 seconds part of each song, press it again to stop scanning and retain playing the song currently selected.
- E. In CDP mode, press 3RPT button to play the current track repeatedly. Press it again to cancel this mode.
- F. In CDP mode, press 4RDM button to play the track in random order. Press it again to cancel this mode.
- G. In mp3 mode, press the 5-10/6+10 button to select back 10 tracks or next 10 tracks.

## 16. MUTE BUTTON

Press it to eliminate the sound immediately.

## 17. DISP BUTTON

Press DSP button immediately to recall time display, then press and hold this button for three seconds until the time is blinking. And rotate VOL+ button to adjust hour or VOL- button to adjust minutes.

## 18. APS/SEARCH BUTTON

### IN RADIO MODE:

When short pressing, the radio searches for each preset station.

When the field strength level is more than the threshold level of stop level, the radio is holding at that preset number for few seconds with releasing mute, and then searches again. In FM band, FM 1, FM 2 and FM 3 is checked one at a time.

When long pressing (more than 1 second), the radio searches from the current frequency and checks the signal strength level until 1 cycle search is finished.

And then 6 strongest stations are preset to the corresponding preset number.

The AS operation is implemented in the each band of selected band. When the AS operation is finished, the radio executes the preset scan.

# BASIC OPERATION

## IN MP3 MODE:

Press search button for several seconds ,track and file and character search becomes possible in the new mode.

## FOR EXAMPLE:

### TRACK SEARCH EXAMPLE

HOW TO SEARCH FOR TRACK NUMBER 132, TITLED "WXY.MP3"

- A. Press APS/SEARCH button once to go in to search initial mode, it is now in TRACK search mode.
- B. Press SEL/menu(ENTER) button to select 1st digit " 1" ,then LCD will shows 001 and 1st digit " 1" is selected blinking. If ENTER button is pressed again for more than 0.5sec, the first song is played.
- C. Then rotate VOL+ or VOL- button, then 1st digit will increase according to the number of times key is pressed
- D. If LCD shows 002 ,then press ENTER button again the 2nd digit is selected. LCD will show " 002" ,with middle 0 digit blinking.
- E. Then rotate VOL + or VOL- button continuously to select 2nd digit to "3" i.e., " 032" ,with " 3" blinking.
- F. Press ENTER button to select 3rd digit ,i.e., " 032" ,with 0 blinking (if ENTER buttons is pressed for longer than 0.5sec., 32th song is played)
- G. Rotate VOL+ or VOL - to select 3rd digit to " 1" i.e., " 132" with 1 blinking
- H. Finally press ENTER button, than track number " 132" will play immediately.
- I. VOL+ or VOL- button performs to shift 1st digit and 2nd digit to desired track (digit) then 3rd digit is shifted form 0-9 as a loop rotation.

### FILE SEARCH EXAMPLE

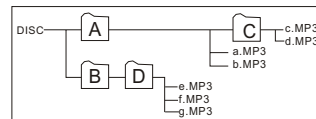
#### NOTE:

Similar operation as track search, use VOL+ or VOL - button to select directory and track number, use ENTER button to confirm selection and/or start playback  
If the structure of Disc above does MP3 TOC, it is follows

Total Dir: 4 Total Song: 7

dir to have MP3 file 3(A,C,D)

We regard dir as MP3 file, when operating it is located as A → C → D → A .....



- To listen to a song from MP3 (On Normal play)
- A. APS/SEARCH button input (2 times) - file search mode display
  - B. SEL/MENU(ENTER) button input -A Dir display
  - C. SEARCH VOL+ or VOL- buttons input (2 times) -d dir display. If SEL/MENU (ENTER) button is pressed again for longer than 0.5sec, first song in d dir e file will begin playing.
  - D. SEL/MENU(ENTER) button input (1 times) -e file display
  - E. SEARCH VOL+ /VOL- buttons input (1 times) -f file display
  - F. SEL/MENU(ENTER) button input -f MP3 File play start
  - G. If SEL/MENU(ENTER) button is pressed after SEARCH VOL+/- button is only inputted once
  - H. NOTE:
    - a. This unit can only read MP3 disc in Id3v2.
    - b. This model also has song name (character) search function for MP3 disc playback. Press APS/SEARCH button three times until CHAR SCH is shown on display then press SEL/MENU button once, character A blinks, use VOL+/- buttons to select the right character (1 letter of desired song name), press SEL/MENU button to confirm your choice and second character A blinks for you to select, similar operation to enter other letters (max. 5 characters), After entering your song name, press SEL/MENU button more than 1 second to start the search. If no such song, NOT FND will be shown on display.

# BASIC OPERATION

---

## 19. BAND/ID3:

During radio mode: Press it to select your desired radio band and the band which is selected will be displayed on LCD.

During mp3 mode : Press search button to working Id3 as follow:  
(depend on the disc used for Mp3)

File → folder → song → artist → album

## 20. POWER BUTTON

Press it (more than 1 second) to turn off and short press to turn on the unit.

## 21. FLASHING LED

If the front panel is not on the main unit, LED will be flashing.

## 22. RESET

RESET button is placed on the housing and must be activated with either a ballpoint pen or thin metal object. The RESET button is to be activated for the following reasons:

- Initial installation of the unit when all wiring is completed.
- All the function buttons do not operate.
- Error symbol on the display.

Note: If press RESET button, the unit can't work yet, please use a cotton swab soaked in isopropyl alcohol to clean the socket on the back of the front panel.

## 23. LOC

When in the radio mode, press it to select local or distance broadcast station receive sensitivity.

## 24. USB CONNECTOR SOCKET

When you want to use the USB, first you insert the USB connect line into the USB connector socket of the front panel and then insert the USB appliance into the USB port to play (See fig. 1). (Its operation is similar to the Mp3 operation.)

When the USB appliance connects to the unit, the system starts playing track of the USB appliance automatically.

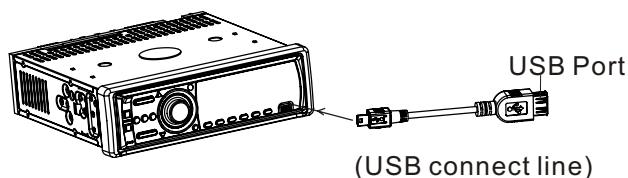
NOTE:

To prevent damage to the USB, in the state of the USB playing not to pull out.

**NOTE:** The SCAN button on the remote controller (for RC version only)

## SCAN BUTTON

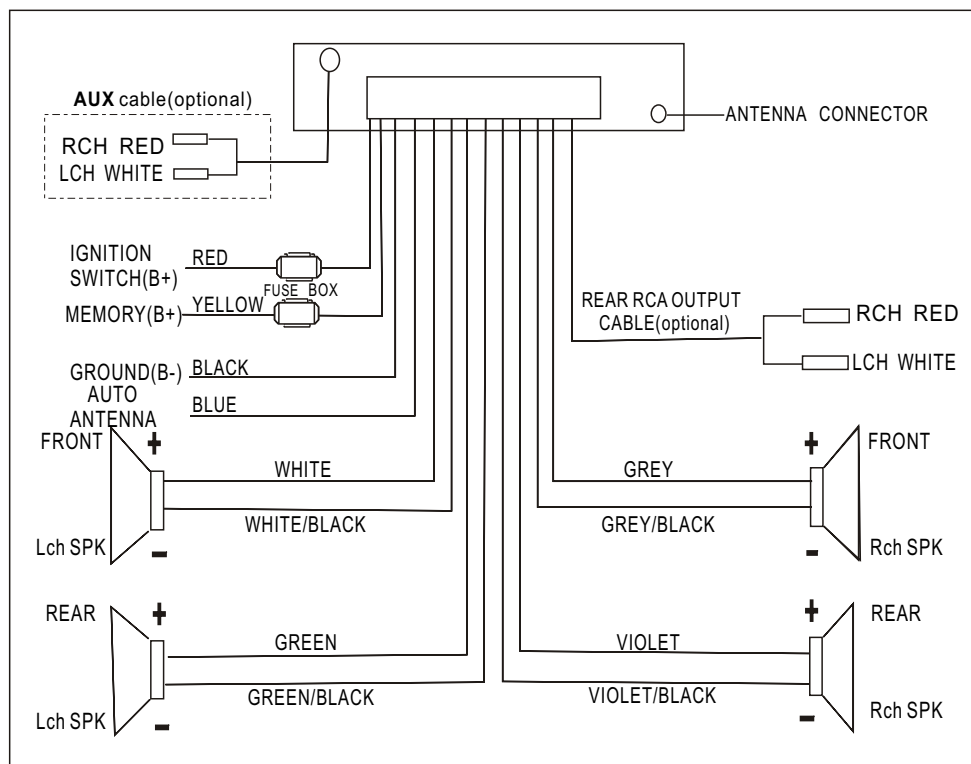
Press it to scan up by one channel step with station detection. If a valid signal has detected, the current frequency is blinked with in 5 seconds, then press it again to stop scan and remain the current frequency; otherwise, the unit continues to scan up by one channel step with station detection 5 seconds later.



(Fig. 1)

# ELECTRIC CONNECTION

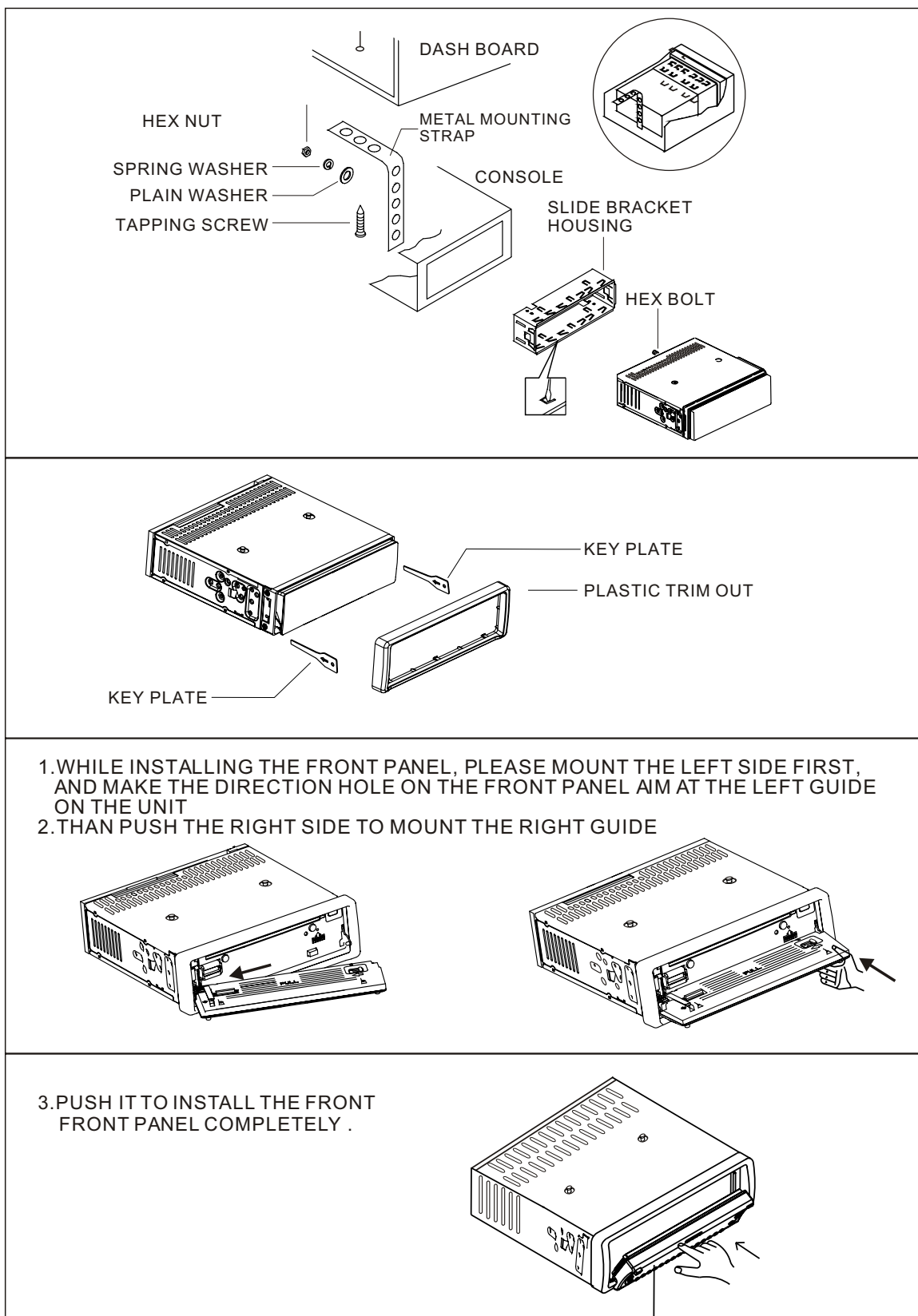
## WIRING CONNECTION



### NOTE:

In spite of having any kinds of speaker system, must use 4 ohms impedance of speaker to reduce the distortion during high volume level.

# INSTALLATION

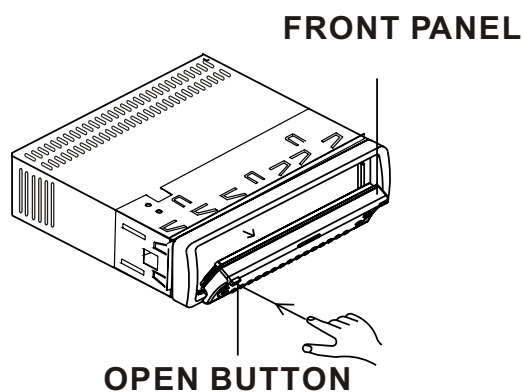




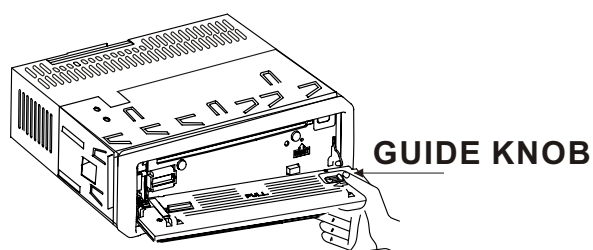
# INSTALLATION

**CAUTION: DO NOT INSTALL THE DETACHABLE PANEL BEFORE CONNECTING THE WIRE.**

1. The unit is designed for negative terminal of the battery which is connected to the vehicle metal. Please confirm it before installation.
2. If the car interior is extremely hot, as after being parked in the sun, do not use the player until the car has been driven for a while to cool off the interior.
3. Press the OPEN button to flip down the front panel (see fig.1), Slide the guide knob to remove the right side first, then take away the front panel. (see fig.2) and put it in the protective case (see fig.3) for safe keeping.
4. Install the front panel back in to its bracket and then push it back to the position for playing (see fig.4).

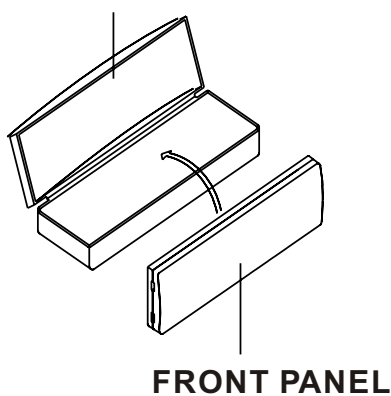


**(FIG.1)**

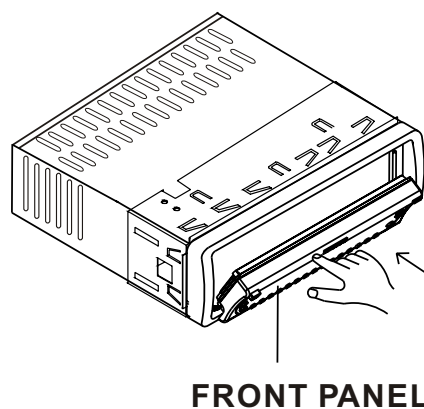


**(FIG.2)**

**PROTECTIVE CASE**



**(FIG.3)**



**(FIG.4)**

# NOTES

---

## DISC PLAY:

### CLEANING DISCS

Before playing, clean the disc with a clean, lint-free.  
Flip the disc in the direction of the arrow.

### NOTE 1:

Do not use so solvents such as benzine, thinners. Commercially available cleaners or antistatic spray damage the unit.

Insert a disc with the label surface down. Doing so may damage the unit.

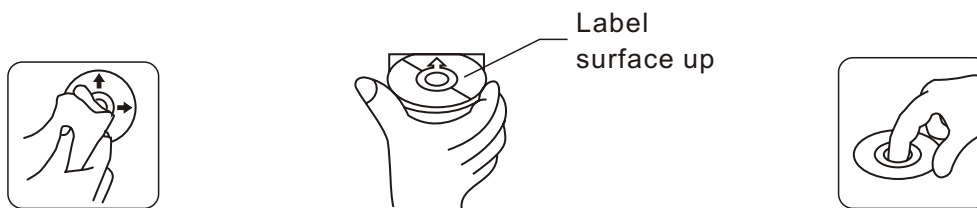
### NOTE 2:

Do not try to insert another disc when one has been already inserted.  
Doing so may damage the unit.

Handle the disc by its edge. And to keep the disc clean, do not touch the surface.

Do not stick paper or tape on the disc.

Do not expose the disc to direct sunlight or heat sources such as hot air ducts.  
Or leave it in a car parked in direct sunlight where there can be a considerable rise in temperature.



## PREPARING THE REMOTE CONTROL

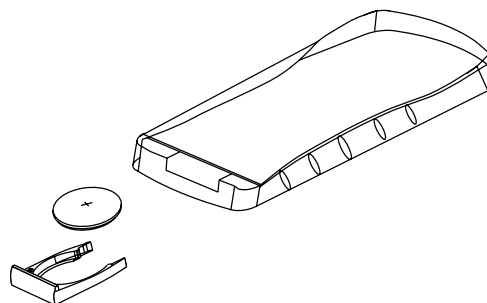
### INSERTING THE BATTERIES

1. Open the battery compartment cover.
2. Insert the new batteries. Make sure that the positive and negative terminals of the batteries are oriented indicated.
3. Close the cover

### USING THE REMOTE CONTROL

Face the remote control towards the player front face IR mark (remote control signal receiver).

Operation angle: About  $\pm 30$  degree in each the direction of the front of the IR mark.



# SPECIFICATIONS

---

## GENERAL

POWER REQUIREMENT.....DC 12V  
CURRENT CONSUMPTION.....15A  
POWER OUTPUT..... 4 X 25W

## RADIO SECTION

	For 3 Bands (Europe) FM	For 2 Bands (Europe) FM	For 2 Bands (U.S.A.) FM
FREQUENCY RANGE	87.5 to 108 MHz	87.5 to 108 MHz	87.5 to 107.9 MHz
USABLE SENSITIVITY.....			3uV
I.F FREQUENCY.....			10.7MHz
	MW	MW	AM
FREQUENCY RANGE	522 to 1620 KHz	522 to 1620 KHz	530 to 1710 KHz
	LW		
FREQUENCY RANGE	144 to 290KHz		

## LINE-OUT [OPTION]

OUTPUT.....500mV @ FM 10% THD POWER

## CD PLAYER

SYSTEM.....COMPACT DISC AUDIOSYSTEM  
USABLE DISC.....COMPACT DISC  
SIGNAL FORMAT.....SAMPLING FREQUENCY 44.1KHz  
NO OF QUANTIZATION BITS 1 BIT  
FREQUENCY CHARACTERISTICS.....5-40Hz-5dB 10K-20KHz-5dB  
SIGNAL TO NOISE RADIO.....70dB [1KHz] [IEC-A NETWORK]  
NUMBER OF CHANNELS.....2 STEREO  
CHASSIS DIMENSIONS.....184[W] X 54 [H] 170[D]

# TROUBLE SHOOTING

Before going through the check list, check wiring connection. If any of the problems persist after check list has been made, consult your nearest service dealer.

SYMPTOM	CAUSE	SOLUTION
NO POWER	The car ignition switch is not on	If the power supply is properly connected to the car accessory terminal, switch the ignition key to "ACC"
	The fuse is blown	Replace the fuse
DISC CANNOT BE LOADED OR EJECTED	Presence of disc inside the player.	Remove the disc in the player, then put a new one
	Inserting the disc in reverse direction	Insert the compact disc with the label facing upward
	The disc is extremely dirty or defective	Clean the disc or try to play a new one
	Temperature inside the car is too high	Cool off or until the ambient temperature return to normal
	Condensation	Leave the player off for an hour then try again
NO SOUND	Volume is in minimum	Adjust volume to a desired level
	Wiring is not properly connected	Check wiring connection
SOUND SKIPS	The installation angle is more than 30 degrees	Adjust the installation angle less than 30 degrees
	The disc is extremely dirty or defective disc	Clean the compact disc, then try to play a new one
THE OPERATION KEYS DO NOT WORK	The built-in microcomputer is not operating properly due to noise	Press the RESET button. Front panel is not properly fixed into its place
THE RADIO DOES NOT WORK	The antenna cable is not connected	Insert the antenna cable firmly
	The signals are too weak	Select a station manually

## Free Manuals Download Website

<http://myh66.com>

<http://usermanuals.us>

<http://www.somanuals.com>

<http://www.4manuals.cc>

<http://www.manual-lib.com>

<http://www.404manual.com>

<http://www.luxmanual.com>

<http://aubethermostatmanual.com>

Golf course search by state

<http://golfingnear.com>

Email search by domain

<http://emailbydomain.com>

Auto manuals search

<http://auto.somanuals.com>

TV manuals search

<http://tv.somanuals.com>