

## About Pyle Blue Wave Series Woofer

Congratulations!

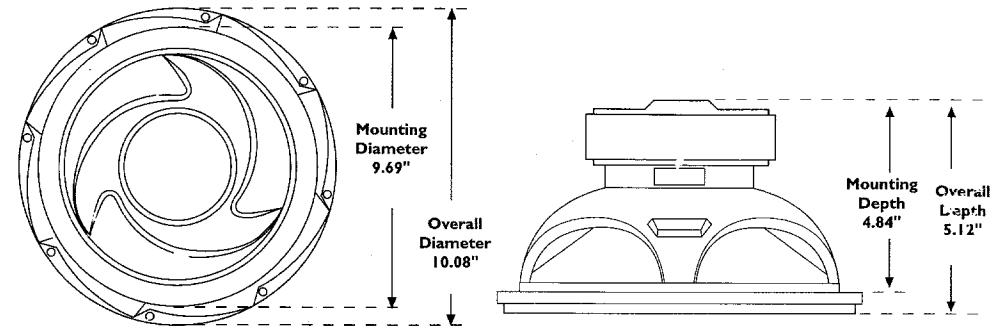
You have just purchased one of the most advanced subwoofers in the history of car audio. Pyle Blue Wave Series Woofer is the latest series, which has been designed and engineered for consistent and high performance

Let's enjoy the nice music that Blue Wave Woofer provided.

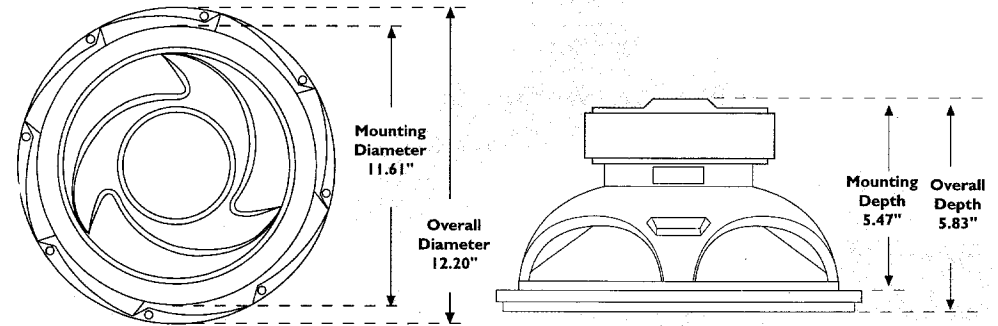
Basic Features of Pyle Blue Wave Series Woofers:

- New Blue Injection-Molded Cone
- Non-fatiguing Big Rubber Suspension
- Blue Chrome-plated Steel Basket
- Bumped & Vented Extended Pole Piece
- Silver Plated Terminal
- Flat Progressive Spider
- New Wave-Like Rubber Gasket
- Rubber Magnet Boot
- 2.5" Kapton Voice Coils
- 80 oz Magnet Structure

## PLWB104X / PLWB108X



## PLWB124X / PLWB128X



Specification	PLWB104X	PLWB108X	PLWB124X	PLWB128X
Power (Watts Peak)	800	800	1000	1000
Nom. Impedance (Ohm)	4	8	4	8
Voice Coil	2.5" KSV	2.5" KSV	2.5" KSV	2.5" KSV
Magnet Structure	80 oz	80 oz	80 oz	80 oz
Fs (Hz)	25.8	26.9	25.5	23.2
Qms	5.00	5.23	5.99	4.92
Qes	0.65	0.89	0.73	0.84
Qts	0.57	0.76	0.65	0.72
SPL (dB)	84.8	83.5	85.8	85
Vas (cuft)	2.352	2.394	3.881	4.908

Pyle Blue Wave Series Woofer continually strives to improve the performance and value of its products - all specifications are subject to change.

## MANUFACTURER'S LIMITED THREE YEAR WARRANTY

PYLE AUDIO CORP. warrants this unit to be free from defective material or workmanship and will repair or replace this unit or any part thereof if it proves defective in normal use or service within three (3) years from the date of original purchase.

Our obligation under this warranty is limited to the repairing or replacing, at our discretion, the defective instrument or any part thereof when it is returned, transportation prepaid to the Pyle Service Center at the address below. This warranty will be considered void if the unit has been tampered with, improperly serviced, subjected to abuse or misuse or if installed in a commercial vehicle. This warranty does not cover accidental damage. When returning this unit for service, please include \$10.00 for return postage and handling.

Send your unit to:

PYLE SERVICE CENTER  
1600-63rd Street  
Brooklyn, New York 11204 USA

**IMPORTANT:** Pack carefully in original carton if possible. We are not responsible for damage incurred in returning items for repair. A letter stating your exact street address, daytime phone number and the problem you are experiencing should be included. You must also enclose a copy of the original receipt as proof of date of purchase.

**Register Online@[www.pyleaudio.com](http://www.pyleaudio.com)**

## Free Manuals Download Website

<http://myh66.com>

<http://usermanuals.us>

<http://www.somanuals.com>

<http://www.4manuals.cc>

<http://www.manual-lib.com>

<http://www.404manual.com>

<http://www.luxmanual.com>

<http://aubethermostatmanual.com>

Golf course search by state

<http://golfingnear.com>

Email search by domain

<http://emailbydomain.com>

Auto manuals search

<http://auto.somanuals.com>

TV manuals search

<http://tv.somanuals.com>