



OWNERS MANUAL

PBS50W

PBS50B

PBS5TW

PBS5TB

CEILING MOUNT HANGING BALL PENDANT SPEAKER SYSTEM

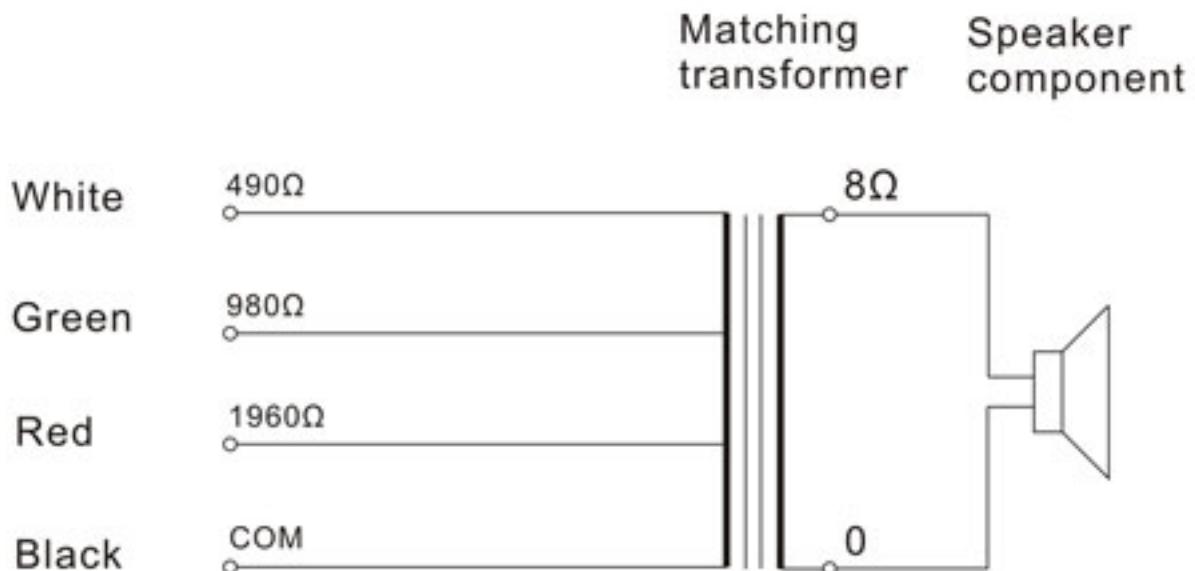
How to use

1. Careful attention should be required for the polarity when more than two speakers are in operation at the same place, otherwise the sound of poor quality and/or sound pressure of low level will be reproduced. Connection should be made in the same way as in the case of battery, same polarity with parallel connection and different polarity with series connection.
2. When long wiring is called for, the low impedance connection invites large power loss, resulting in inefficient operation of speakers, In case wiring becomes longer than 50 meters, equip matching transformer and use with proper high impedance

3. For low impedance connection, the total impedance of speakers should be equal to output impedance of amplifier.
4. Connect the speakers to be equal the total input power (wattage) to the output power of amplifier for high impedance connection. It means the impedance matching.

Wirng diagram

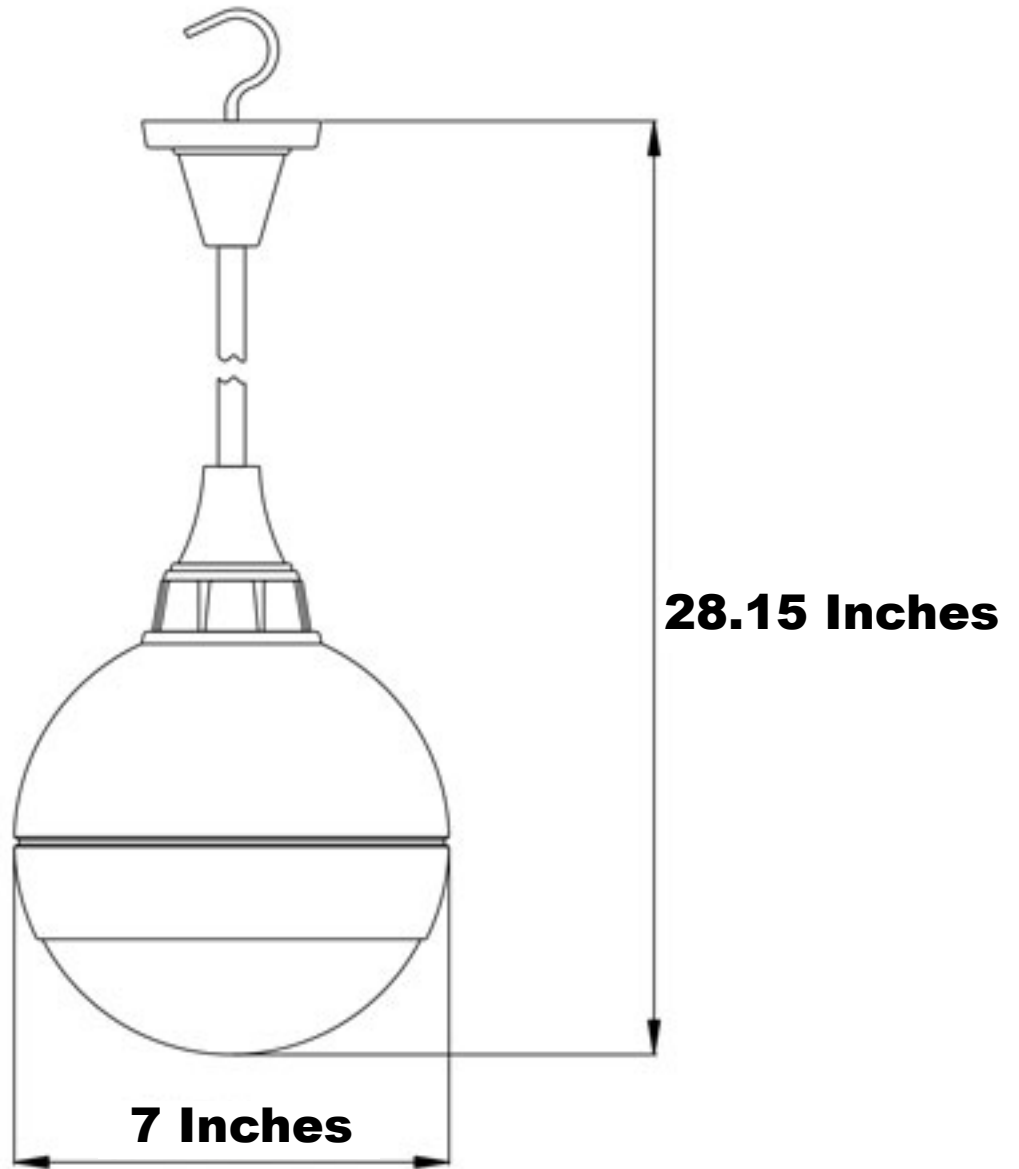
(Just for PBS5TW PBS5TB)



Notes

1. This speaker is designed to operate on a 70 V line. Do not connect it to 100V line, as doing so may result in damage to the speaker.
2. Do not connect it to the amplifier's low impedance line.

DIMENSIONS



Specifications

Technical data	PBS50W PBS50B	PBS5TW PBS5TB
Load rating	100W	75W
Transformer tapplings	—	10/5/2.5W (70V)
Frequency range	180Hz-15KHz	180Hz-15KHz
SPL(@1W/m)	90dB	90dB
Speaker Ø(mm) and Impedance	5" / 8 ohms	5" / 8 ohms
Dimension Ø, Install depth	Ø180(715)mm	Ø180(715)mm

Free Manuals Download Website

<http://myh66.com>

<http://usermanuals.us>

<http://www.somanuals.com>

<http://www.4manuals.cc>

<http://www.manual-lib.com>

<http://www.404manual.com>

<http://www.luxmanual.com>

<http://aubethermostatmanual.com>

Golf course search by state

<http://golfingnear.com>

Email search by domain

<http://emailbydomain.com>

Auto manuals search

<http://auto.somanuals.com>

TV manuals search

<http://tv.somanuals.com>