



Owners Manual

PHSP131T w/ 70 Volt Transformer

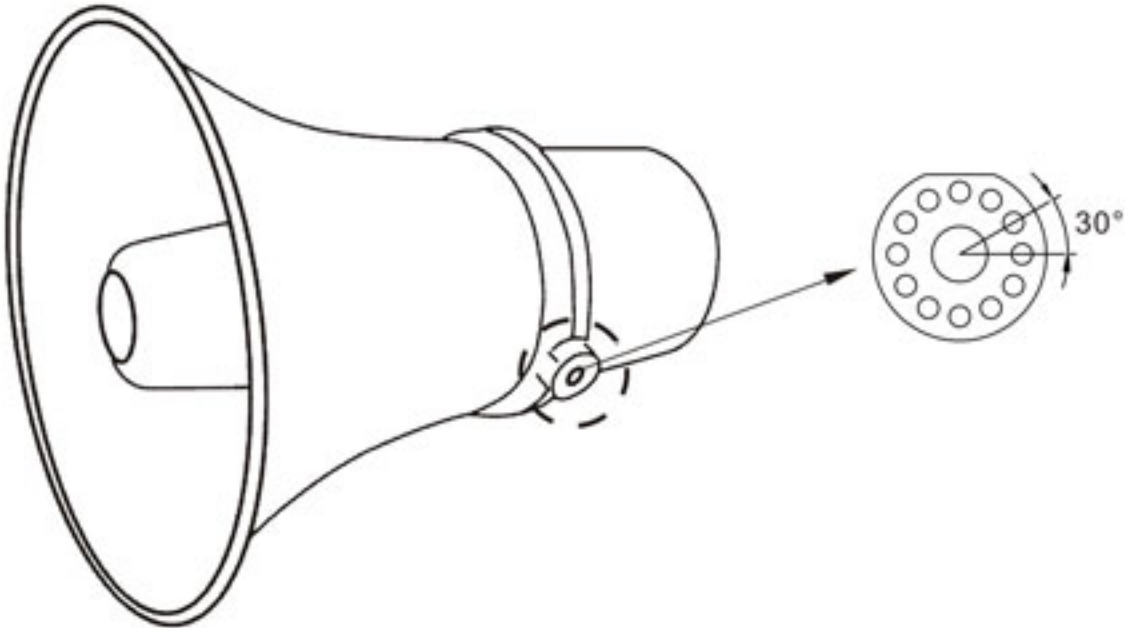
PHSP121T w/ 70 Volt Transformer

PHSP101T w/ 70 Volt Transformer

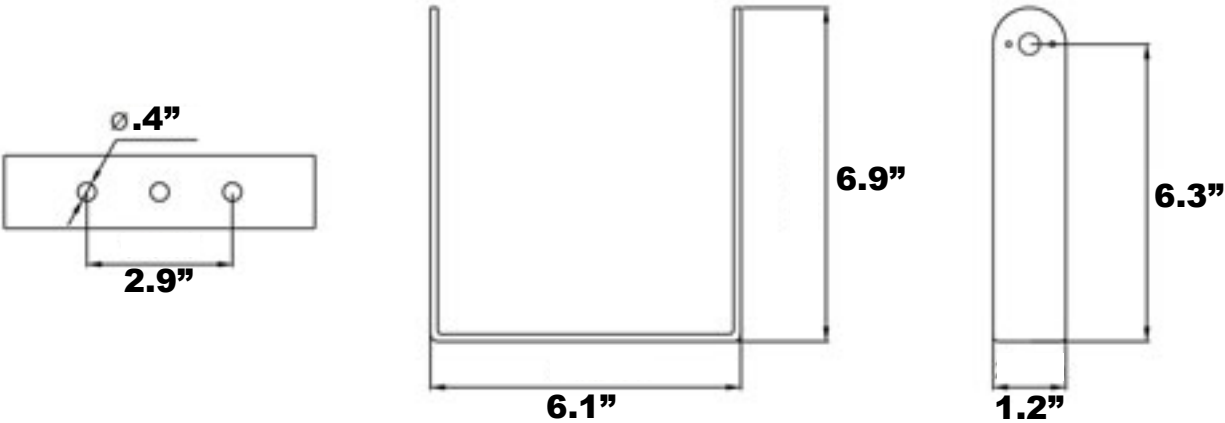
How to use

1. Careful attention should be required for the polarity when more than two speakers are in operation at the same place, otherwise the sound of poor quality and/or sound pressure of low level will be reproduced. Connection should be made in the same way as in the case of battery, same polarity with parallel connection and different polarity with series connection.
2. To avoid electric shocks, be sure to switch off the amplifier's power when connecting speakers.
3. Do not operate the unit for an extended period of time with the sound distorting. This is an indication of a malfunction, which in turn can cause heat to generate and result in a fire.
4. Connect the speakers to be equal the total input power (wattage) to the output power of amplifier for high impedance connection. It means the impedance matching.

Speaker

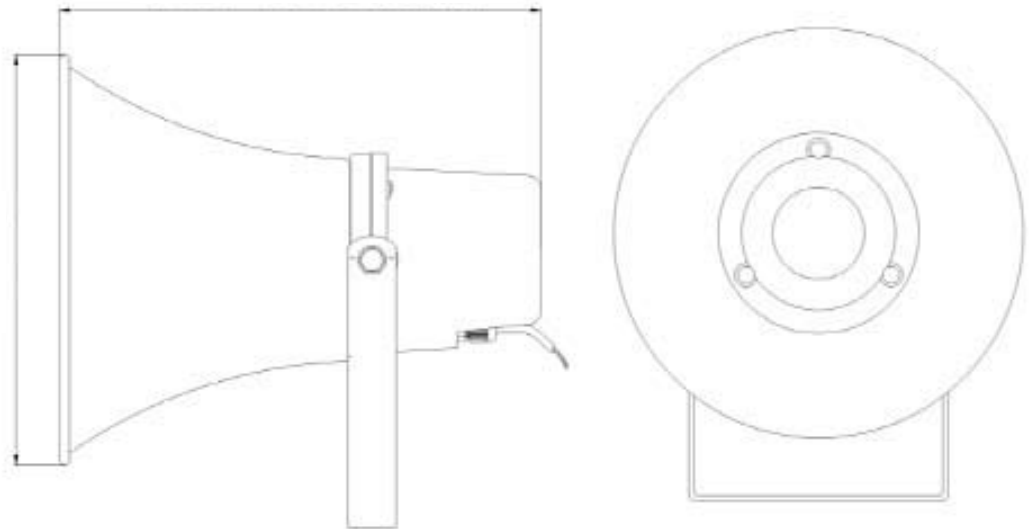


Bracket



PHSP131T - 14.25"
PHSP121T - 13.1"
PHSP101T - 11.3"

PHSP131T - 13.5"
PHSP121T - 11"
PHSP101T - 9.6"



Technical data	PHSP101T	PHSP121T	PHSP131T
Load rating	20W	30W	50W
Nominal impedance	8 ohms	8 ohms	8 ohms
Transformer tapings	20/10/5W/ 70V	30/15/7.5W/ 70V	50/25/12.5W/ 70V
Frequency range	400Hz-5KHz	400Hz-5KHz	400Hz-5KHz
SPL(@1W/m)	102 dB	103 dB	105 dB
Dimension Ø×D(mm)	Ø245×288mm	Ø280×333mm	Ø343×362mm
Material,colour	ALU/RAL7042	ALU/RAL7042	ALU/RAL7042

Free Manuals Download Website

<http://myh66.com>

<http://usermanuals.us>

<http://www.somanuals.com>

<http://www.4manuals.cc>

<http://www.manual-lib.com>

<http://www.404manual.com>

<http://www.luxmanual.com>

<http://aubethermostatmanual.com>

Golf course search by state

<http://golfingnear.com>

Email search by domain

<http://emailbydomain.com>

Auto manuals search

<http://auto.somanuals.com>

TV manuals search

<http://tv.somanuals.com>