



Owners Manual

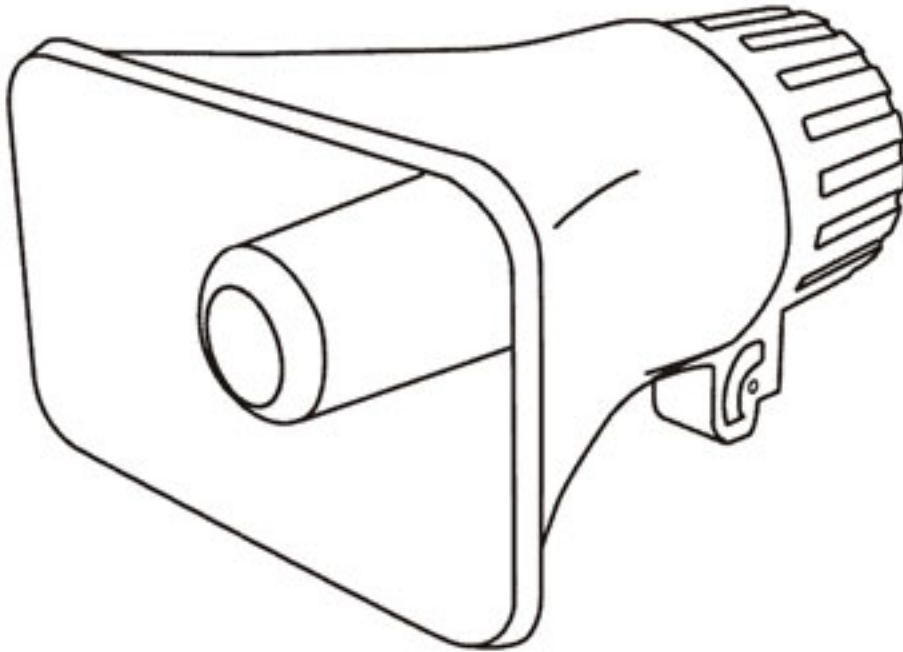
PHSP4

PHSP5

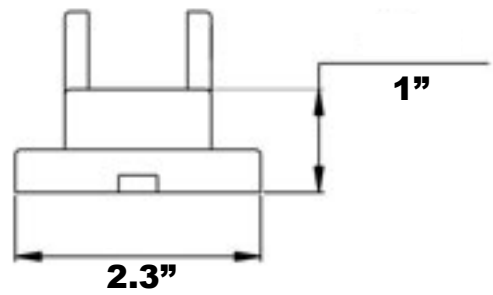
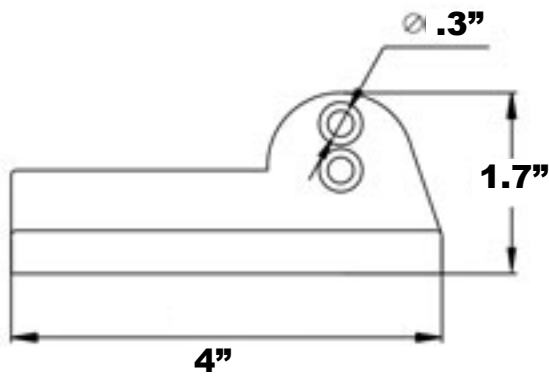
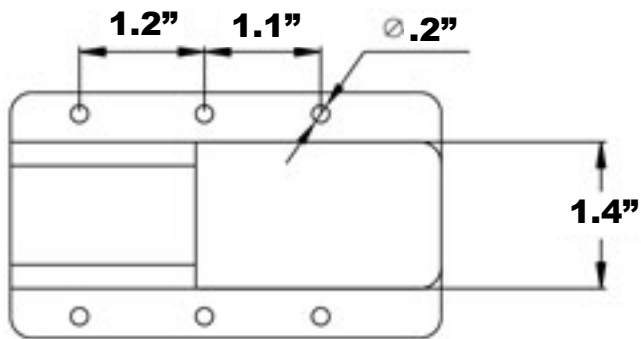
How to use

1. Careful attention should be required fo the polarity when more than two speakers are in operation at the same place, otherwise the sound of poor quality and/or sound pressure of low level will be reproduced. Connection should be made in the same way as in the case of battery, same polarity with parallel connection and different polarity with series connection.
2. When long wiring is called for, the low impedance connection invites large power loss, resulting in inefficient operation of speakers, In case wiring becomes longer than 50 meters, equip matching transformer and use with proper high impedance.
3. For low impedance connection, the total impedance of speakers should be equal to output impedance of amplifier.
4. Do not operate the unit for an extended period of time with the sound distorting. This is an indication of a malfunction, which in turn can cause heat to generate and result in a fier.

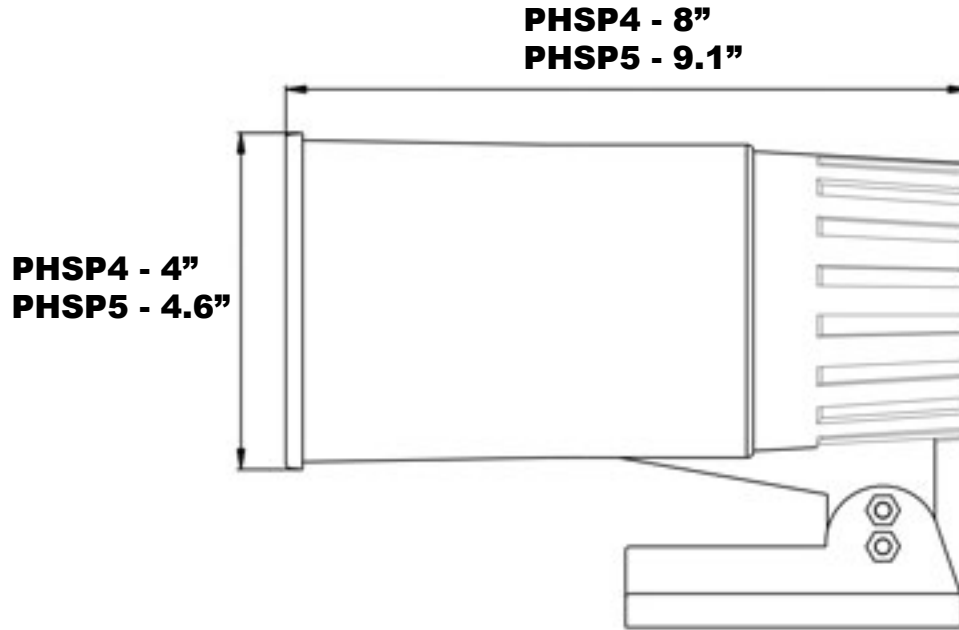
Speaker



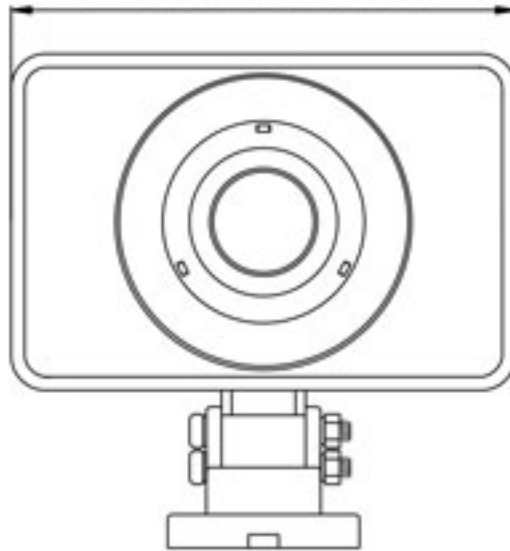
Bracket



Dimensions



PHSP4 - 6"
PHSP5 - 7.9"



Specifications

Technical data	PHSP4	PHSP5
Load rating	50W	65W
Nominal impedance	8 ohms	8 ohms
Frequency range	500Hz-5KHz	500Hz-5KHz
SPL(@1W/m)	100dB	101dB
Dimension W×H×D(mm)	150×100×203mm	200×117×232mm
Material	ABS	ABS

Free Manuals Download Website

<http://myh66.com>

<http://usermanuals.us>

<http://www.somanuals.com>

<http://www.4manuals.cc>

<http://www.manual-lib.com>

<http://www.404manual.com>

<http://www.luxmanual.com>

<http://aubethermostatmanual.com>

Golf course search by state

<http://golfingnear.com>

Email search by domain

<http://emailbydomain.com>

Auto manuals search

<http://auto.somanuals.com>

TV manuals search

<http://tv.somanuals.com>