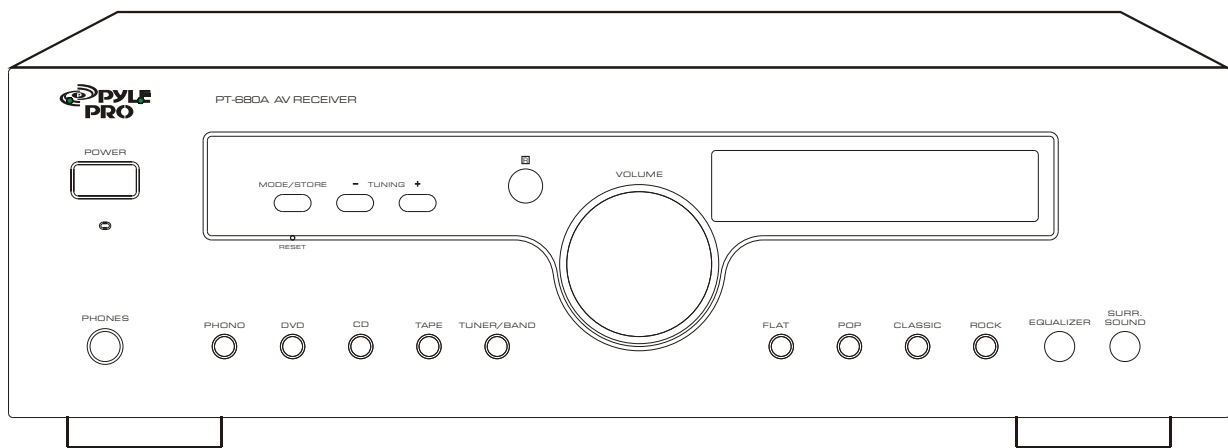


PYLE[®] PRO

PT-680A INTEGRATED STEREO AMPLIFIER





OPERATION MANUAL

www.pyleaudio.com

Integrated Amplifier

OPERATIONG INSTRUCTIONS

 CAUTION RISK OF ELECTRIC SHOCK DO NOT OPEN 
CAUTION: TO REDUCE THE RISK OF ELECTRIC SHOCK, DO NOT REMOVE COVER(OR BACK) NO USER-SERVICEABLE PARTS INSIDE. REFER SERVICING TO QUALIFIED SERVICE PERSONNEL.



The lightning flash with arrowhead symbol, within an equilateral triangle, is intended to alert the user to the presence of uninsulated "dangerous voltage" within the product's enclosure that may be of sufficient magnitude to constitute a risk of electric shock to persons.



The exclamation point within an equilateral triangle is intended to alert the user to the presence of important operating and maintenance (servicing) instructions in the literature accompanying the appliance.

WARNING: To prevent fire or shock hazard, do not expose this appliance to rain or moisture

Thank you for purchasing this HI-FI product. Taking time to read these operating instructions carefully before use will acquaint you fully with all its features and help ensure optimum performance.

Precautions

Power plug

- When disconnecting the power cord from the power outlet, always take hold of the plug, and not the wire, and pull free. Never connect or disconnect the power plug with wet hands since you may receive an electric shock.
- Remember to disconnect the power plug from the power outlet when you do not intend to use the unit for a prolonged period of time.

Do not remove the case and bottom panel

Any inspections or adjustments inside the unit may lead to malfunctions and electric shocks. Do not touch any of the inside parts.

Do not block the ventilation holes

Do not block the ventilation holes on the top of the unit by placing records or other objects over them. This will increase the inside temperature and may lead to failure or malfunction.

Installation precautions

Do not install the unit in any of the following locations since this may result in deterioration in performance or malfunction:

- Locations exposed to direct sunlight or near objects radiating heat such as heating appliances.
- Locations exposed to moisture or humidity.
- Locations with poor ventilation exposed to dust and dirt.
- Locations which are unstable and not perfectly flat or which are susceptible to vibration.

Do not wipe with thinners

Wipe the panels and case from time to time with a soft cloth. Using any kind of thinner, alcohol or volatile liquid will mar the surface, cause blotching on the exterior and erase the markings and should therefore be avoided.

Do not use insecticide sprays in the vicinity.

This unit dissipates the heat most effectively when installed on a flat surface. Do not stand it up or install it at an angle.

Before connecting the power plug

Before connecting the power plug to an electrical outlet, check to be sure that the unit is set to the power voltage for your area. If the voltage of the unit is improperly set, fire hazard or damage to the unit may result. If you find that the unit is not set to the proper voltage for your area follow the instructions listed below.

- Unit without voltage selectors switch.
- Unit destined for some areas are not fitted with a voltage selector switch due to laws and regulations existing in those areas. In such a case, the power supply voltage is set to the voltage used in the area where the unit is purchased.

Connections

Connection precautions

When connecting, either disconnect the power plug from the power outlet or turn off the unit's power using the POWER switch. Check the left and right channels and connect properly (Left to L and Right to R).

Insert the plugs securely. Improper connection can lead to the generation of noise.

Turntable

Connect the turntable's output cord L (white) plug to the L PHONO terminal and the R (red) plug to the R terminal.

If your turntable is equipped with a grounding cable, connect it to the unit's GND terminal. But disconnect it if you notice increased hum.

- If you use the turntable alongside the unit, hum and noise pickup may sometimes. In such a case, install the turntable at a position where hum and noise are not picked up.

Compact disc player

Connect the CD terminals to the OUTPUT terminals on the compact disc player using the pin-plug cord.

Tuner

Connect the TUNER terminals to the OUTPUT terminals on the tuner using the pin-plug cord.

DVD Terminal

Connect the DVD terminals to the OUTPUT terminals on the DVD player using the pin-plug cord.

TAPE Deck

Recording connections: Connect the TAPE REC terminals to the input (LINE IN) terminals on the tape deck using the pin-plug cord.

Playback connections: Connect the TAPE PLAY terminals to the output (LINE OUT) terminals on the cassette deck using the pin-plug cord.

Equalizer Terminals

These terminals are used to connect a graphic equalizer or sound processor. They also come in handy for connecting an AV (audio/video) selector unit.

Use pin-plug cords to connect the REC terminals to the INPUT terminals on the selected component and also to connect the PLAY terminals to its OUTPUT terminals.

Speaker systems

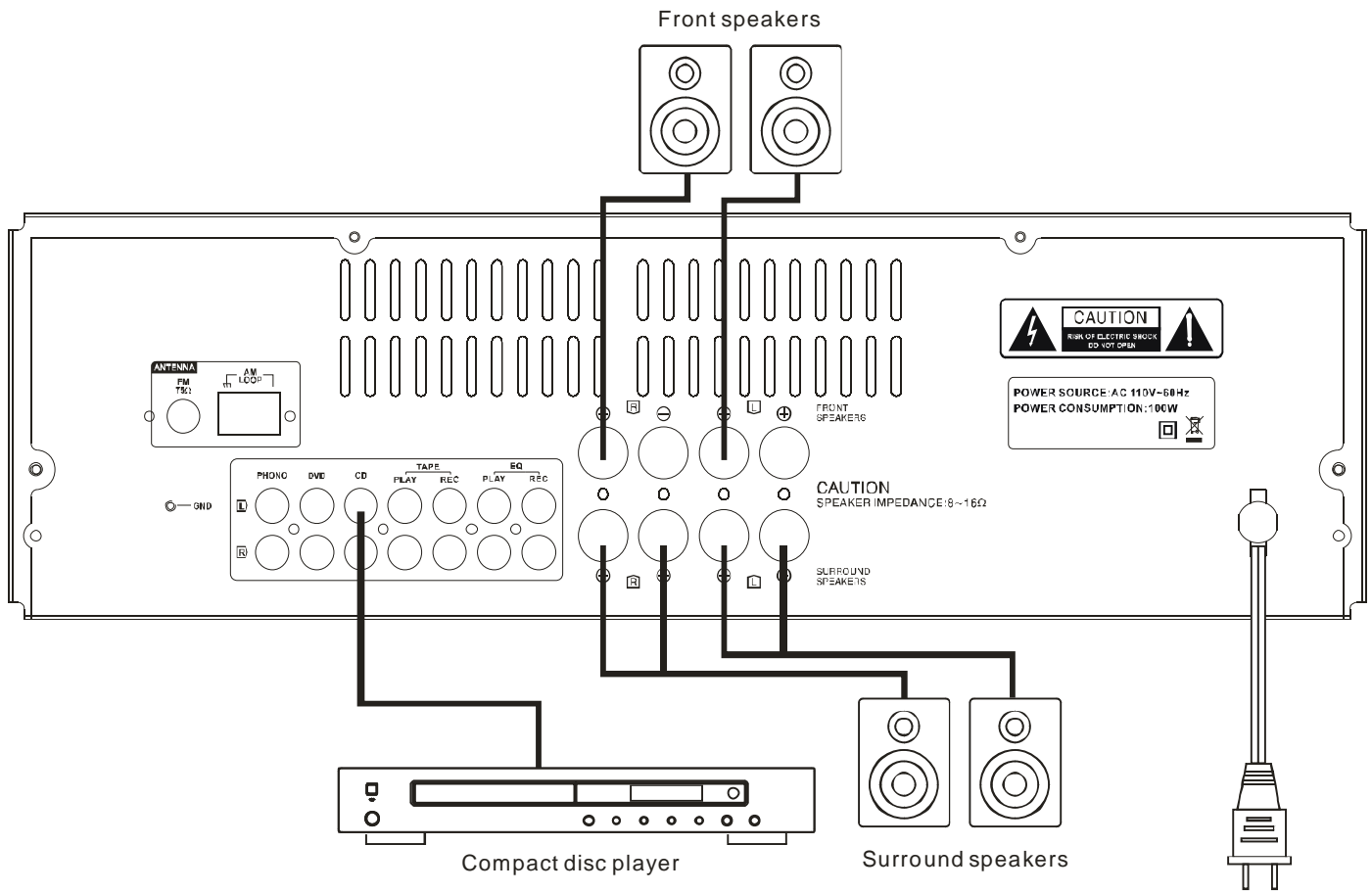
Connect the speaker systems to the SPEAKERS terminals on the rear panel of the unit with the speaker cords. Two sets of speaker systems can be connected, one to front (Main) speakers and one to rear speakers (Surround) in order to achieve the surround sound effect.

When viewed from the front (the listening position), the speaker mounted on the left should be connected to the L terminals, and the speaker mounted on the right should be connected to the R terminals. Be sure to connect the polarities of the speaker systems and the SPEAKER terminals correctly (+ to +, - to -). If the polarity of one of the speaker systems is connected improperly, sound in the central area between the speakers will appear to be missing, and the position of the instruments will not be clear, resulting in a loss of stereo directionality; so take care when connecting.

When connecting, do not allow the conductor of the speaker cords to be exposed from the terminals and come into contact with other terminals.

Connections

- Mains plug may vary to some extent depending on sales area, local laws and regulations.



Remote Controller

Loading batteries

Insert the two accessory 1.5V batteries, type "AA" (IEC R6), into the battery compartment in the back of the remote controller. Press the grooves on the battery compartment lid and slide it off. Insert the two batteries, taking care to match the +, - polarities correctly with the diagram in the case. Replace the compartment lid.

About the Remote Controller

The remote controller can be used to control component from your listening position. Take special note of the following points: When operating the remote control, point it in the direction of the infrared signal receiving window on the player. The operating range of the remote controller is within 30° to each side of the front of the player, within a distance of about 6m (about 20 feet) on an uninterrupted straight line (the remote controller will not operate if furniture or other obstacles are directly between the remote controller and the player). Note that in areas struck by direct sunlight or bright spotlights, the operating range of the remote control may be shortened, or it may fail to operate at all. Press operating switches separately and firmly.

Replacing Batteries

When batteries become weak, the signal transmitting performance drops, and the remote controller will become unusable. In this case, replace the old batteries with new ones. Since even batteries with new ones. Depending on manufacturer, be sure to use only identical "A" (IEC R6) 1.5V type batteries. Do not mix new batteries with already used batteries. Use batteries designed to prevent leakage of the electrolyte inside.

Remote Controller

1. Amplifier Standby

When this key is pressed during the remote standby state, the power of the main unit can be switched on/off.

2. Source Select

Press one of these keys as your desired source.

3. Surr. Sound

Press this key to select surround on or off.

4. Equalizer

Press this key to select inside EQ or outside EQ.

5. Band

When in tuner mode, press this key to select FM or AM radio broadcast.

6. Mute

Press this key to mute the sound, press it again to cancel the mute function.

7. ST/Mono

Press this key to alternate between Stereo and Mono mode when listen to FM broadcast.

8. Sound Modes keys

Press one of these keys as your desired sound mode.

9. Amplifier Display

Press this key to display the current state of sound field and the surround mode.

10. PTY Search

- PTY Search: In FM state, press this key, the current program type appears on the display, using TUNING +/- to select the program type you desire.

11. Auto/Manual

This key is used to select AUTO or MANUAL tuning for AM and FM stations. Press once to set to AUTO again for MANUAL.

12. Memory

Press it to store the broadcast station as a preset.

13. Station up/down

Press these keys to select a preset channel during the tuner mode.

14. <<</>>>

Press these buttons to select the previous/next track of the playback.

15. Balance

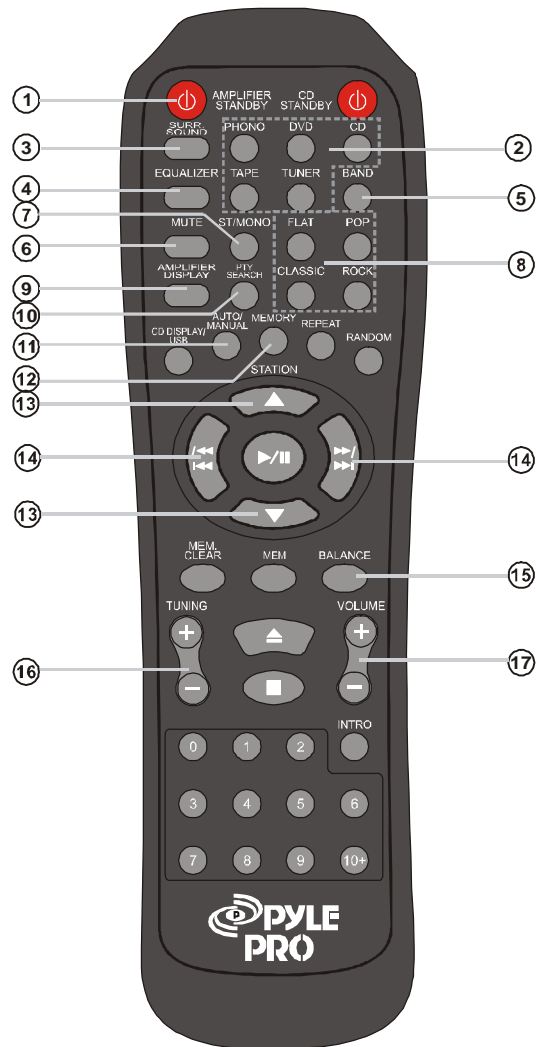
Press this key first then press the volume key to balance the speakers.

16. Tuning +/-

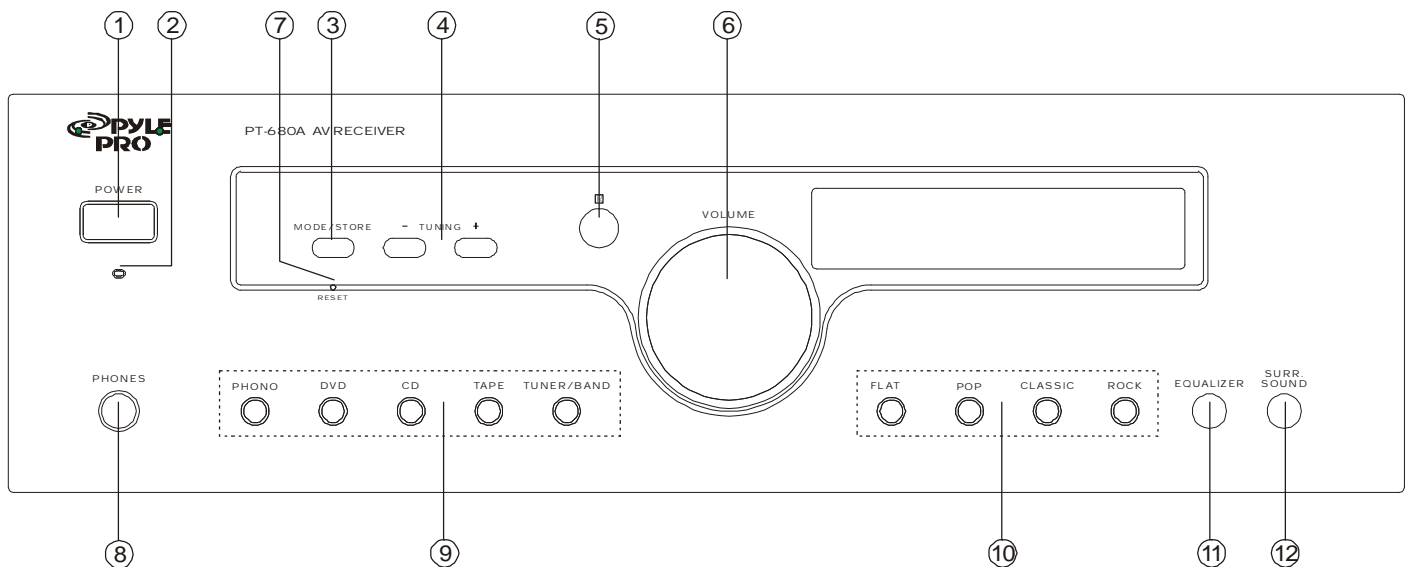
Tuner frequency up and down

17. Volume +/-

Press these keys to decrease or increase the volume.



Panel Information



1. Power key

This switch turns the power ON/OFF (STANDBY).

2. Remote Standby Indicator

The Power Amplifier is in remote standby state if the remote standby indicator is lighted.

3. Mode/Store

When in tuner mode, press this button once to select Auto tuning mode; press it the second time to select the Manual tuning mode; press it the third time to select the Preset tuning mode, then by pressing the Tuning +/- button to select a preset station; pressing and holding this button (in any of the modes above) for 5 seconds brings up the "MEM" icon and display the next available preset for storing the current frequency.

4. Tuning +/- key

Frequency up and down.

5. Remote sensor

Work with the remote control.

6. Volume Control

This is used to control the sound heard from the speakers or through the headphones. Rotate it in clockwise or in counter clockwise, the volume will be increased or decreased.

7. Reset

Switch on the **POWER**, use a paper clip to press the RESET button for more than 3 seconds duration, then all the current set up memory will be erased and back to the factory default.

8. Phones jack

This is the jack for headphones. Connect the plug on the stereo headphones for private listening.

Adjust the volume so that it does not hurt your ears when using the headphones.

- If you do not intend to use your headphones, always ensure that you unplug them.

9. Input selector keys

These keys are used to select the program sources. Press the desired key from the PHONO, DVD, CD, TAPE, and TUNER/Band keys.

10. Sound field keys

Press these keys to select one of the four sound mode: Flat, Pop, Classic or Rock.

11. Equalizer key

Press this key to select inside EQ or outside EQ.

12. Surround key

Press this key to select surround on or off.

Specifications

Max Power Output	150W x 2 (RMS) (6ohms)
Signal/Noise ratio	70dB (A Weighted)
Tuning range	FM 87.5 MHz – 108 MHz (50 kHz step) European & Australian models AM 530 kHz – 1710 kHz (10 kHz) European & Australian models
Display color	VFD two color
Source inputs	Phono, DVD, CD, Tape , Built-in Tuner
Surround mode	Surround Effect
Sound Effect Mode	Flat, Rock, Pop, Classic
Analoge audio inputs	Audio in x 4 Inputs (Phono, DVD, CD, Tape)
- Sensitivity / Impedance:	Phono 2.5mV / 47kohms DVD, CD, Tape 200mV / 47kohms
Antenna inputs	FM 75ohm unbalance AM Loop Antenna
Output	
Speaker outputs	4 speakers output
Analogue audio outputs	Tape Audio L/R RCA Jack out
General	
Mains voltage	110V~60Hz
Dimensions (W x D x H)	430 (W) x 263 (D) x 137 (H) / 16.93" x 10.35" x 5.39" inches
Weight	6kg

Free Manuals Download Website

<http://myh66.com>

<http://usermanuals.us>

<http://www.somanuals.com>

<http://www.4manuals.cc>

<http://www.manual-lib.com>

<http://www.404manual.com>

<http://www.luxmanual.com>

<http://aubethermostatmanual.com>

Golf course search by state

<http://golfingnear.com>

Email search by domain

<http://emailbydomain.com>

Auto manuals search

<http://auto.somanuals.com>

TV manuals search

<http://tv.somanuals.com>