

PYLE®

PyleAudio.com

718.535.1800 718.236.2400 (fax)
1600 63rd Street, Brooklyn NY 11204

PYLE®

PWMA-370 OPERATING INSTRUCTIONS

300 WATT DUAL CHANNEL WIRELESS RECHARGEABLE PORTABLE
PA SYSTEM WITH HANDHELD MIC AND LAVALIER/HEADSET MIC



www.pyleaudio.com

GENERAL DESCRIPTIONS

- 1.It is consist of one set of of wireless and two wired microphone input circuits, both of them has separated volume control
- 2.The standard accessories are VHF high band wireless transmitter and receiver.
- 3.It is equipped with built-in 7AH/12V rechargeable battery which can be charge 6 hours continuously. also DC power can be used directly
- 4.One guitar input function, one audio input and one iPod dock are supplied.
- 5.Treble and bass control are supplied.
- 6.Echo control is supplied.
- 7.With voltage selector switch for selecting a suitable one according to different countries.
- 8.8 " full range driver

REMARKS

1. Correct power must be used, don't use any other power except the specified one.
2. Don't drag the power cable when pull out the plugs, just hold the plug to pull it out from socket.
3. Don't open chassis: it is very dangerous either open the chassis or put your hand inside the chassis, don't do it. If the device is not under normal working, pull out the plug at once and contact your retailer or nearest distributor.
4. Don't take volatile solvent such as toluene, alcohol, gasoline to clean the surface
5. Please don't put it in a unventilated environment or at direct sunlight in summer.
6. Avoid moisture or rain

---|---

PARAMETER

AMPLIFIER

Power supply:	<input type="checkbox"/> AC200V/50Hz <input type="checkbox"/> AC110V/60Hz including a built-in 12V7AH rechargeable battery
Frequency response:	35Hz-20KHz
SPL:	94dB (1W/M)
T.H.D.:	<1%
Input wired amp:	-5X J1:V 600
Speaker:	8 " full range driver
RMS Power:	300W
Input jack:	2 × 1/4 " wired mic jack, 1 × 1/4 " GUITAR IN jack 1 × Audio input jack

RECEIVER

Carrier frequency range:	170-216 MHz
RF sensitivity:	≤-101dB
Image rejection:	≧60dB
Operation range:	100ft

TRANSMITTER

Carrier frequency range:	170-216 MHz
RF power output:	≤10mW
Modulation level:	15K
Operation temperature:	-18°C-60°C
Power supply:	3V
Unit Battery Life:	Approx. 3 Hours
Mic Battery Life:	Approx. 45 Hours

---6---

INSTRUCTIONS

- ④ Push the Power Switch of handheld microphone(bodypack transmitter) to ON position, your sound can be heard from amplifier when speaking. Adjust the Volume Control/Echo Control/Treble Control/Bass Control to proper position to avoid feedback.
- ⑦ If the Power Indicator of microphone (bodypack transmitter) comes on at all times, it indicates the battery lack of power, please replace the battery.
- ⑧ Connect relative cable of guitar with Guitar Input Jack on this system, you can play wonderful music.
- ⑨ IPOD Dock: Connect IPOD to IPOD dock, you can press "Play", "Pause", "Pre" and "Next" keys to control it. And unit will charge IPOD automatically once it is connected to the dock till IPOD battery is full so that no need to press "Charge" key to get IPOD charged. During charging, you can play IPOD at the same time.

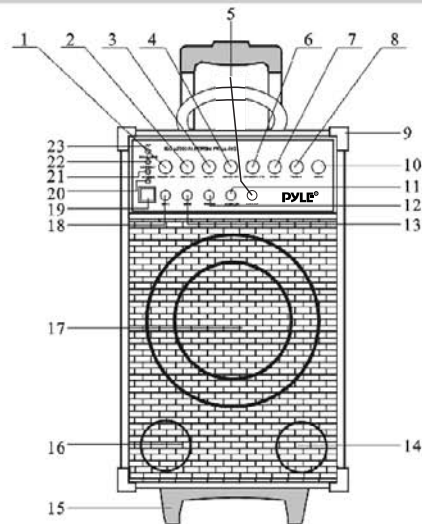
3. Wired Microphone:

- ① Two way wired microphone input jacks are supplied for two people us simultaneously.
- ② Plug Wired microphones into the jacks separately.
- ③ Adjust Echo Control to get better sound.
- ④ Adjust the volume of each microphone to make sure the sound is satisfactory.

---5---

SYSTEM FUNCTION FIGURE

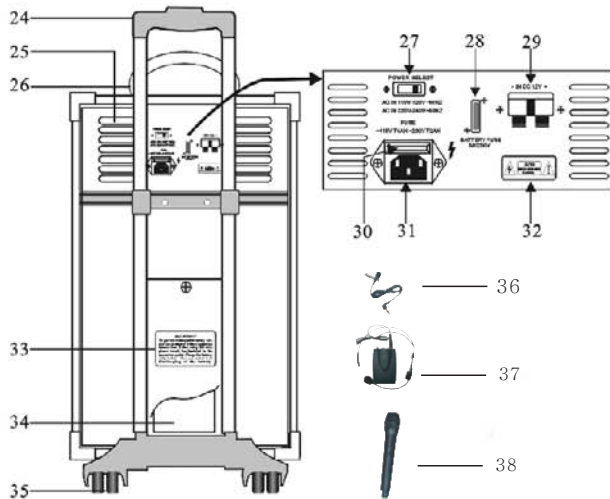
- | | |
|------------------------------------|-----------------------------|
| 1.Wireless Mic/MIC1 Volume Control | 10.Bass Control |
| 2.MIC2 Volume Control | 11.Audio Input Jack |
| 3.Guitar Volume Control | 12.Guitar Input Jack |
| 4.Audio Volume Control | 13.MIC2 Input Jack |
| 5.AUDIO.OUT JACK | 14.Vent Hole |
| 6.Ipod/MP3 Volume Control | 15.Fixed Stand For The Unit |
| 7.Echo Control | 16.Vent Hole |
| 8.Treble Control | 17.Woofer Speaker |
| 9.Metal Corner | 18.MIC1 Input Jack |
| | 19.Power Switch |



---2---

SYSTEM FUNCTION FIGURE

20. Power Indicator	30. AC Fuse
21. Low Voltage Indicator	31. Power Socket
22. Charge Indicator	32. Warning
23. RF Indicator For Wireless Mic	33. Rechargeable Battery Cover
24. Trailer Handle	34. 5AH/12V Rechargeable Battery
25. Heating Pane	35. Trickle Of Trailer
26. Handle	36. Livelier Mic
27. Voltage Selector Switch	37. Headset Mic
28. Battery Fuse	38. Handheld Mic
29. External DC Input Jack	



---3---

INSTRUCTIONS

1. Confirm the power

- ① **AC Power:** Before operation, please confirm the voltage is same as the specified one marked on the label. If not, the unit will be damaged.
- ② **Built-in Rechargeable Battery:** You needn't plug-in the AC power when the voltage for rechargeable battery is enough but use the battery directly.
- ③ When the Low Voltage Indicator comes yellow, it indicates the battery voltage is not enough, please charge it in time.
- ④ When the Low Voltage Indicator comes out, it indicates the voltage is standard now.
- ⑤ If the unit is not used for a long time, please charge the rechargeable battery every 2 months, 8-10 hours for each time.

2. Operation Instructions:

- ① Plug the power cable into the socket and connect it with this amplifier system.
- ② Switch on the amplifier, the Power Indicator comes red.
- ③ During charging, RECHARGE indicator comes red, when the indicator flashing, that means battery is almost full while it is ready all indicators will off.
- ④ During charging, you can play music at the same time, then RECHARGE indicator will flashing with the current consumption indicating the speed of charge. Charge time is in direct proportion to the volume of music. When the battery is full, RECHARGE indicator will stop flashing and then off.
- ⑤ Put two AA 1.5V battery into handheld microphone (bodypack transmitter), push the Power Switch to middle, the Power Indicator will flash once, RF Indicator comes on green, the speakers are quiet.

---4---

Free Manuals Download Website

<http://myh66.com>

<http://usermanuals.us>

<http://www.somanuals.com>

<http://www.4manuals.cc>

<http://www.manual-lib.com>

<http://www.404manual.com>

<http://www.luxmanual.com>

<http://aubethermostatmanual.com>

Golf course search by state

<http://golfingnear.com>

Email search by domain

<http://emailbydomain.com>

Auto manuals search

<http://auto.somanuals.com>

TV manuals search

<http://tv.somanuals.com>