



## DEAR CUSTOMER

Selecting fine audio equipment such as the unit you have just purchased is only the start of your musical enjoyment. Now it is time to consider how you can maximize the fun and excitement your equipment offers.

We want you to get the most out of your equipment by playing it at a safe level. One that lets the sound come through loud and clear without annoying blaring or distortion - and, most importantly, without affecting your sensitive hearing. Sound can be deceiving. Over time your hearing "comfort level" adapts to higher volumes of sound. So what sounds "normal" can actually be loud and harmful to your hearing. Guard against this by setting your equipment at a safe level BEFORE your hearing adapts.

To establish a safe level:

- . Start your volume control at a low setting
- . Slowly increase the sound until you can hear it comfortably and clearly, and without distortion we want you listening for a lifetime.

Once you have established a comfortable sound level:

- . Set the dial and leave it there.

Taking a minute to do this now will help to prevent hearing damage or loss in the future. After all, we want you listening for a lifetime.

## ABOUT THIS MANUAL

This product features a number of sophisticated functions ensuring superior reception and operation. All are designed for the easiest possible use, but many are not self-explanatory. This operation manual is intended to help you benefit fully from their potential and to maximize your listening enjoyment.

We recommend that you familiarize yourself with the functions and their operation by reading through the manual before you begin using this product. It is especially important that you read and observe the "precaution" on the next page and in other sections.

In this operation manual, the Basic Operation for each sound source is outlined at the beginning of its explanation, covering simple operation for that source, such as merely playing music.

## TROUBLE SHOOTING

To solve the common problem, read the trouble shooting list. If you still can not solve the problem, consult your nearest service dealer.

Symptom	Cause	Solution
No power	The car ignition is not on.	If the power supply is properly connected to the car accessory switch the ignition key to "ACC"
	The fuse is blown	Replace the fuse
Disc cannot be loaded	Presence of CD disc inside the player	Remove the disc in the player then put a new upward
Disc cannot be read	Inserting the disc in upside down	Insert the compact disc with the label facing upward
	Compact disc is extremely dirty or defective	Clean the disc or try to play a new one
	Temperature inside the car is too high	Cool off until the ambient temperature returns to normal
No sound	Volume is in minimum	Adjust volume to a desired level
	Wiring is not properly connected	Check wiring connection
The operation keys do not work	1. The built-in microcomputer is not operating properly due to noise 2. Front panel is not properly fix into its place	1. Press the RESET button 2. Reinstall the front panel
Sound skips	The installation angle is more than 30 degrees	Adjust the installation angle to less than 30 degrees
	The disc is extremely dirty or defective	Clean the compact disc/try to play a new one
The radio does not work the radio station automatic selection does not work	The antenna cable is not connected the signals are too weak	Insert the antenna cable firmly select a station manually

## DISC PLAY:

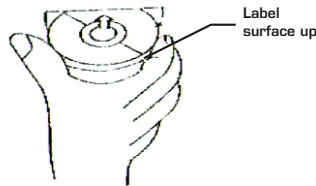
### Cleaning discs

Before playing, clean the disc with a clean, lint-free cloth.  
Wipe the disc in the direction of the arrow.



### NOTE:

- Do not use so solvents such as benzene, thinners. Commercially available cleaners or anti static spray damage the unit.
- Do not insert a disc with the label surface down. Doing so may damage the unit.



### NOTE:

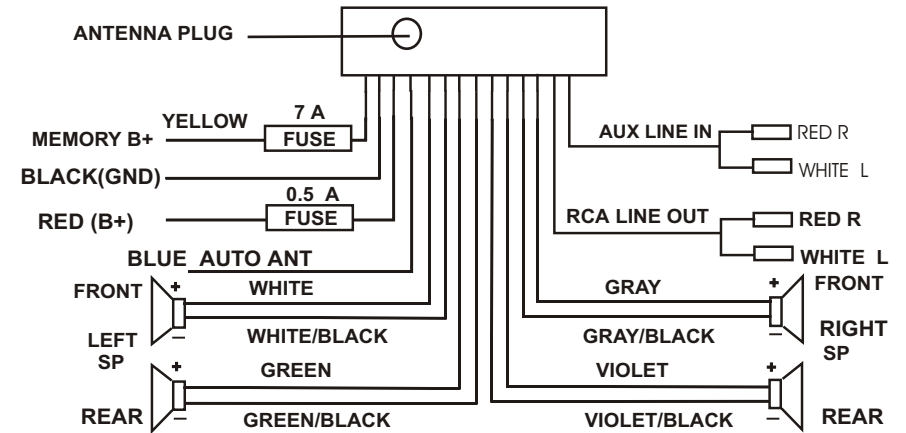
- Do not try to insert another disc when one has been already inserted. Doing so may damage the unit.
- Handle the disc by its edge. And to keep the disc clean, do not touch the surface.



Do not stick paper or tape on the disc.

Do not expose the disc to direct sunlight or heat sources such as hot air ducts. Or leave it in a car parked in direct sunlight where there can be a considerable rise in temperature.

## SPEAKER CONNECTION



### NOTE:

- In spite of having any kinds of speaker system, must use 4 ohms impedance of speaker to reduce the distortion during high volume level.
- Do not allow the auto antenna wire and ground touch each other.

## SPECIFICATION

### GENERAL

Power requirement.....DC 13.8V.  
Current consumption.....7A MAX.  
POWER OUTPUT.....4 X 40W.

### FM SECTION

Frequency range.....87.5MHz -108MHz(EUROPE)  
Frequency range.....87.5MHz -107.9MHz(USA)  
Usable sensitivity.....3uV.  
I.F Frequency.....10.7MHz.

### AM SECTION

Frequency range.....522KHz - 1620KHz(EUROPE)  
Frequency range.....530KHz - 1710KHz(USA)  
I.F Frequency.....450KHz  
Usable Sensitivity.....40dB

### LINE - OUT [OPTION]

Output.....CD MAX 800mv

### CD PLAYER

System.....compact disc audio system.  
Usable disc.....CD/CD-R/CD-RW/MP3 disc  
No of quantization bits 1bit.

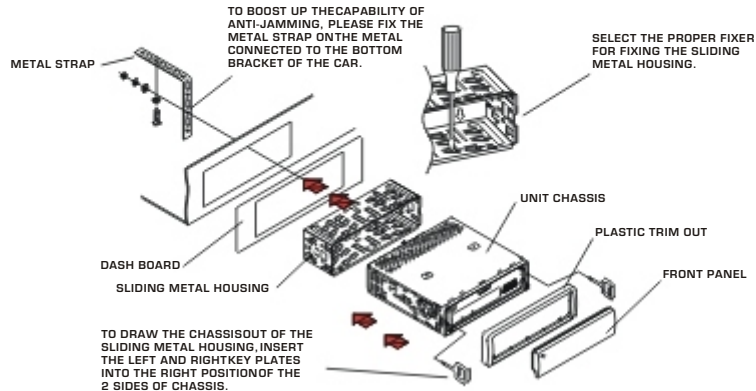
Signal format.....sampling frequency 44.1KHz.  
Frequency characteristics.....20-100Hz ≤ 5dB  
10-20KHz ≤ 5dB.

Signal to noise CD.....50dB [1KHz]  
Number of channels.....2 STEREO.  
Chassis dimensions.....178[W] X 50[H] X 165[D].

# INSTALLATION

## INSTALLATION WAY

IT IS AN ANTI-THEFT INSTALLATION WAY. THE CHASSIS WEAR A METAL SLIDING HOUSING. PLEASE HAVE THE WIRING CONNECTION OF THE POWER SUPPLY, SPEAKERS AND ANTENNAS FOR THE REQUIREMENT OF THE MANUAL, THEN INSTALL THE METAL SLIDING HOUSING INTO THE CAR ACCORDING TO THE DIAGRAM.



TO DRAW THE CHASSIS OUT OF THE SLIDING METAL HOUSING, INSERT THE LEFT AND RIGHT KEY PLATES INTO THE RIGHT POSITION OF THE 2 SIDES OF CHASSIS.

## NOTE

REMOVE THE SLIDING METAL HOUSING AWAY

REMOVE AWAY 2 SCREWS FOR PROTECT THE DECK BEFORE OPERATING IT.

TO INSTALL THE FRONT PANEL BACK INTO THE UNIT CHASSIS, FIRSTLY INSTALL THE RIGHT SIDE IF IT BACK INTO THE RIGHT POSITION, THEN PUSH THE LEFT SIDE BACK TO THE UNIT CHASSIS TILL OK.

PRESS RESET BUTTON TO RESUME THE DISTORTED PROGRAM WHEN THE LCD DISPLAY IMPROPERLY AND SOME BUTTONS ARE INVALID.

RESET BUTTON

AFTER FLIPPING DOWN THE FRONT PANEL, DRAW THE FRONT PANEL OUT OF THE CLIP.

OPEN BUTTON

TO INSERT DISC INTO COMPARTMENT OR EJECT DISC OUT OF THE COMPARTMENT OR TAKE THE FRONT PANEL AWAY THE UNIT CHASSIS, PRESS THE OPEN BUTTON TO FLIP DOWN THE FRONT PANEL.

## REMOTE CONTROL BASICS BATTERY REPLACEMENT:

1. Remove the battery holder as the direction indicated by the arrow.
2. Replace the battery Set a new battery properly with (+) side up.
3. Insert the battery holder. Push in the holder to the original position.

## NOTE ON BATTERIES:

Old batteries must immediately be removed and disposed.

## BATTERY INFORMATION:

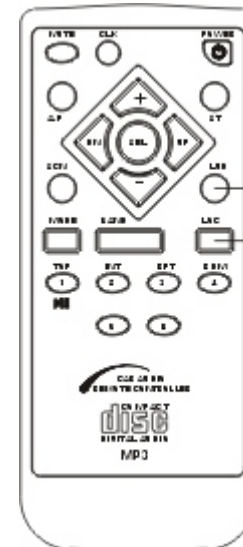
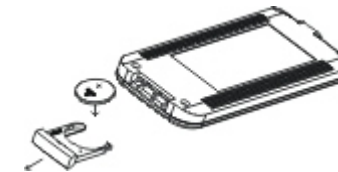
Designated Battery: UM-4"AAA"/R05

Battery Life: 6 months with normal use (in normal room temperature)

## CAUTION:

Improper use of batteries may cause overheating, explosion or ignition. Resulting in injury or fire. Battery leakage may cause damage to the unit.

Do not disassemble or short the batteries. Do not throw the batteries into the fire. To avoid the risk of accident, keep the batteries out of reach of children.



### 1. LOCAL/DISTANCE BUTTON

If you find the receiving signal is weak and there is the word **LOC** displayed on LCD when you tune for distance station, firstly press the button to disappear the word **LOC** on LCD, then tune again for the distance station. If you find the interference to the receiving signal is very strong and there is not the word **LOC** displayed on LCD when you tune for local station, firstly press the button to display the word **LOC** on LCD, then tune again for the local station.

### 2. LOUDNESS BUTTON

Press it to enhance the **BASS** sound effect immediately when it is in **BASE** mode.

12. **PRESET STATION [ 1-6 ] AND TOP/CDP, INT, RPT, RDM BUTTONS.**
- (A).To memorize the current frequency, press any one of the six preset buttons hold for more than 2 seconds.
- (B).To recall the preset memory, press one of the preset buttons [1-6].
- (C).In CDP mode, press TOP/CDP button to pause CDP playback, press it again to resume CDP playback. Press it hold for more than about 0.5 seconds to play the first track of the disc.
- (D).In CDP mode, press INT button to play the first 10 seconds part of each track, press it again to stop INT mode and retain playing the track currently selected.
- (E).In CDP mode, press RPT button to play the current track repeatedly. Press it again to cancel this mode.
- (F).In CDP mode, press RDM button to play the track in random order. Press it again to cancel this mode.
- (G).In MP3 mode, M5 and M6 is assigned as 10 TRACK up/down when normal play.

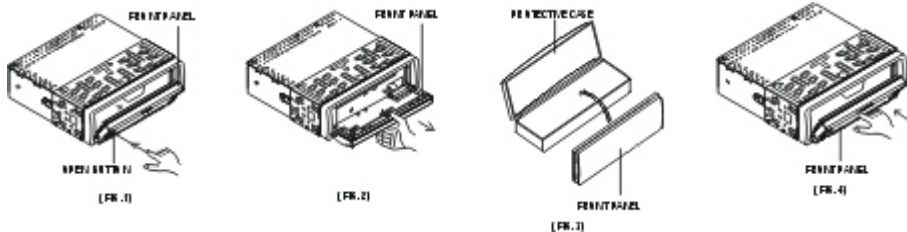
13. **MODE BUTTON**

Press it to select RADIO or CDP mode.

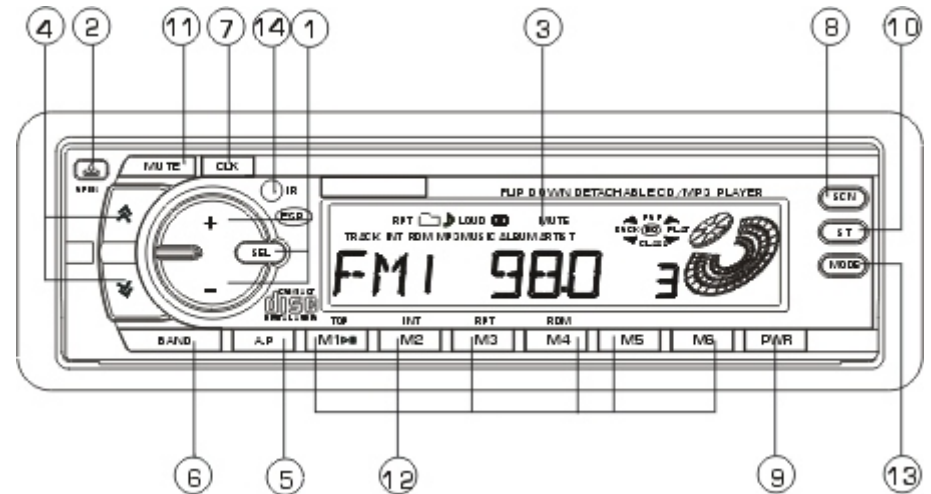
14. **INFRA-RED REMOTE CONTROLLING SENSOR**

**CAUTION:** Do not install the detachable panel before connecting the wire.

1. The unit is designed for negative terminal of the battery which is connected to the vehicle metal. Please confirm it before installation.
2. If the car interior is extremely hot, as after being parked in the sun, do not use the player until the car has been driven for a while to cool off the interior.
3. Press the OPEN button to flip down the front panel (see fig.1), then take away the front panel (see fig.2) and put it in the protective case (see fig.3) safe keeping.
4. Install the front panel back into its bracket and then push it back to the position for playing (see fig.4).



**LOCATION AND FUNCTION OF CONTROLS**



1. **V-SEL/MENU/ENTER(SEL) AND V-UP/DN, MENU-UP/DN(+/-) BUTTONS**
- (1).Press SEL button shortly and repeatedly to select sound mode VOLUME, BASS(without preset DSP), TREBLE(without preset DSP), BALANCE and FADER, then press + or - button to adjust level of the selected sound mode.
- (2).Press SEL button hold for more than 1 second to turn on MENU mode, and the LCD will display DSP OFF/POP M/ROCK M/CLASS M/FLAT M, then press SEL button shortly and repeatedly to select ESP12/ESP45, BEEP ON/BEEP OFF, SEEK1/SEEK2, VOL LAST/VOL ADJ(When it is in VOL ADJUST mode, the next mode will be A-VOL after VOL ADJUST mode, then you can adjust the volume level) in the sequence and circulation. After select the desired MENU mode, press + or - button to select the mode of the selected MENU.
- (3).TRACK SEARCH MODE during MP3 mode:
- A.Press A.P button once to select TRACK SEARCH mode, the LCD will display TRK SCH.
- B.Press SEL button to enter TRACK mode, the LCD will display 001 and flash unit s digit 1. Then press + or - button to shift the unit s digit from 0 to 9 as a loop rotation. (Finally press SEL button hold for more than 0.5 seconds to play the selected track)
- C.Press SEL button to flash tens digit, then press + or - button to shift the tens digit from 0 to 9 as a loop rotation.(Finally press SEL button hold for more than 0.5 seconds to play the selected track)
- D.Press SEL button to flash hundreds digit, then press + or - button to shift the hundreds digit from 0 to 9 as a loop rotation.
- E.Press SEL button to play the selected track.(If the selected track number is bigger than the biggest track number in the MP3 disc, it will play the last track in the MP3 disc.)

**(4). FILE SEARCH during MP3 mode:**

- A. Press A.P button shortly twice to select FILE SEARCH mode, the LCD will display FILE SCH.
- B. Press SEL button shortly once to select and display the first folder. Then press + or - button to select the folder with step by step forward or backward.
  - \* Press SEL button hold for more than 0.5 second to play the first track of the selected folder.
- C. Press SEL button shortly once to select and display the first track of the selected folder. Then press + or - button to select the track in the folder with step by step forward or backward.
- D. Press SEL button shortly once to play the selected track.

**(5). CHARACTER SEARCH MODE during Mp3 mode:**

- A. Press A.P button shortly three times to select CHARACTER SEARCH mode, the LCD will display CHAR SCH.
- B. Press SEL button shortly once to display A in the first digit from left to right. Then press + or - button repeatedly to select one of A-Z and 0-9 and \* to replace A. At this time press SEL button hold for more than 0.5 seconds to play the track which first character is the selected one.
- C. Press SEL button shortly once to display A in the second digit from left to right. Then press + or - button repeatedly to select one of A-Z and 0-9 and \* to replace A.
- D. Press SEL button shortly once to display A in the third digit from left to right. Then press + or - button repeatedly to select one of A-Z and 0-9 and \* to replace A.
- E. Operate as same as above to select the character in the fourth, fifth, ... Xth digit from left to right.
- F. Press SEL button hold for more than 0.5 second to play the track that the name selected.

NOTE: During CHARACTER SEARCH mode, press A.P button to delete the last character.

**2. OPEN BUTTON**

Press it to flip down the front panel and you can insert the disc into the CD compartment or press the EJ button to eject the disc from the disc compartment or take away the front panel.

**3. LCD (LIQUID CRYSTAL DISPLAY)**

**4. UP AND DN BUTTONS**

- (1)In RADIO mode, press ^ or v button shortly and repeatedly to manually tune up or down for the desired radio station with step by step. Press ^ or v button hold for more than 0.5 seconds to auto-matically tune up or down for the radio station of strong signal.

- (2)In CD mode, press ^ button to play next track. Press v button once to play the current track from the beginning of the current track, press v button twice continuously to play the last track. Press ^ or v button hold to skip forward or backward.

**5. AUTO-STORAGE/PRESET MEMORY SCAN BUTTON**

- (1)In radio mode, press it to perform all stations memory for 5 seconds each time, while memory digital and frequency will flash on LCD. If the button is pressed for more than 2 seconds, it will seek station on current band, then write to the preset memories. When the auto-storage operation is completed, it will automatically perform for 5 seconds each time. During the memory station performing, press 1-6 digital buttons to select and stop scanning function.
- (2)In MP3 mode, press A.P button repeatedly to select TRACK SEARCH, FILE SEARCH or CHARACTER SEARCH mode.

**6. BAND BUTTON**

Press it repeatedly to select your desired radio band during RADIO mode.

**7. CLOCK BUTTON**

Press CLK button to display time on LCD, then press CLK button hold until time flashes on LCD, thirdly press + or - button to adjust HOUR or MINUTE.

**8. SCAN BUTTON**

Press it to scan up by one channel step with station detection. If a valid signal has detected, the current frequency is blinked within 5 seconds, then press it again to stop scan and remain the current frequency; otherwise, the unit continue to scan up by one channel step with station detection 5 seconds later.

**9. POWER BUTTON**

Press any button except the EJECT and OPEN button to turn on the unit, press PWR button hold for more than 0.5 seconds to turn off the unit.(After switching on the ACC POWER first time for 3 seconds, can only turn on the unit)

**10. STEREO/MONO BUTTON**

Press it repeatedly to select STEREO or MONO sound mode.

**11. MUTE BUTTON**

Press the button to eliminate or resume the sound immediately. To resume the sound immediately, can also press MODE, BAND, +, -, (LOUD) and SEL button.

## Free Manuals Download Website

<http://myh66.com>

<http://usermanuals.us>

<http://www.somanuals.com>

<http://www.4manuals.cc>

<http://www.manual-lib.com>

<http://www.404manual.com>

<http://www.luxmanual.com>

<http://aubethermostatmanual.com>

Golf course search by state

<http://golfingnear.com>

Email search by domain

<http://emailbydomain.com>

Auto manuals search

<http://auto.somanuals.com>

TV manuals search

<http://tv.somanuals.com>