

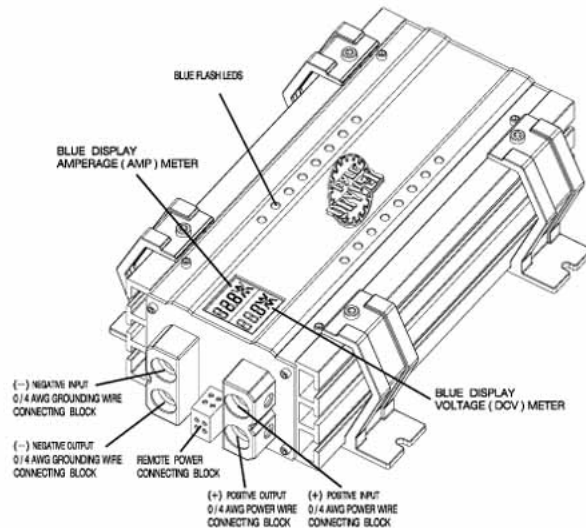
**Model: PLDCP6**

**6F Hybrid Super Cap (carbon and electronic capacitor)  
With Blue Digital DC Voltage and Amperage Display,  
Blue LEDs In Front**

Capacitance ..... 6,000,000 micro farad (6 Farad)  
Working Voltage ..... 16DC  
Surge Voltage ..... 18DC  
E.S.R. (Equivalent Series Resistance)----- 0.0015 ohm @120hz/ 25°C  
Capacitance Tolerance----- ± 10%

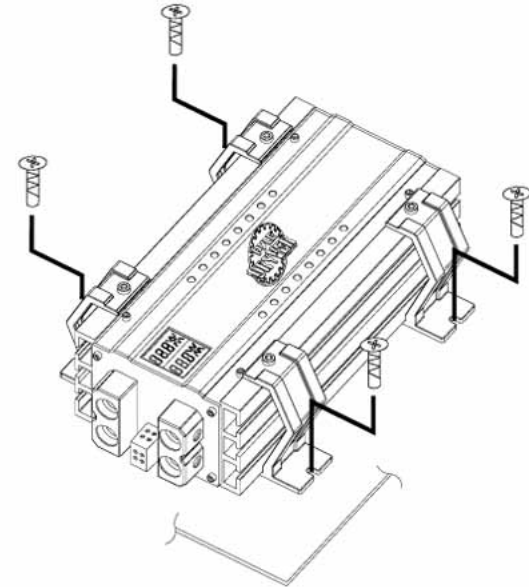
**DETAILED FEATURES:**

- a) 3 digits hi-end blue light display DC voltage meter that can measure 0.1 DCV range.
- b) 3 digits hi-end blue light display DC amperage meter that can measure 1 DCA range.
- c) Reverse polarity PCB audible warning function. If the capacitor is connected incorrectly by reversing the positive and negative wires during the installation process the PCB will issue a 45 second noise to warn you.
- d) Hi-end platinum plated 100% brass solid parts and chrome plated metal cover
- e) Blue flash LED line on the front side of HYBRID SUPER CAPACITOR. The LED's chase to power discharge.
- f) Over voltage limit and low battery voltage limit warning. When the system voltage peaks over 17.5 DCV or LESS than 10 DCV. The buzzer on the PCB will issue an audible noise warning.
- g) Multiple small capacitance capacitors linked to provide the lowest inner E.S.R. and largest moment discharge power.



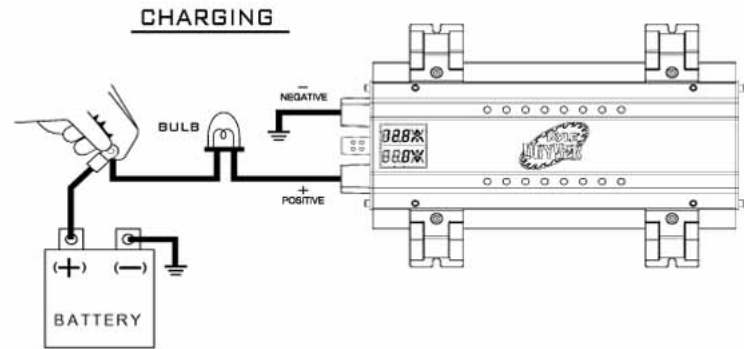
**INSTALLATION AND MOUNTING:**

You must first attach the mounting tabs to the capacitor before mounting it. Use the supplied hardware shown in the picture to the right. Notice the small mounting screw hole in the capacitor chassis.



**CHARGING THE CAPACITOR AND WIRING:**

The capacitor must be charged before connecting the Power and Ground cables to the capacitor. Failure to charge the capacitor will result in a large spark generated from the rapid inflow of current.



To Charge the capacitor:

1. Make Capacitor positive terminal connections with amplifier and tighten the bolt. Do not over-tighten the bolts!

**Caution:** Stripped terminals are not covered under the capacitor's warranty.

2. Connect the ground cable with battery, amplifier, then refer to the attached drawing.

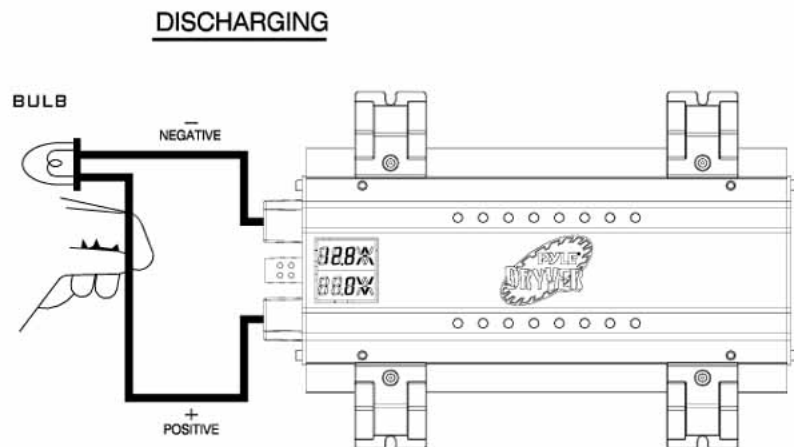
3. Place the supplied charging bulb or resistor between the positive terminal of the capacitor and the battery's positive terminal. Do this for 30 seconds or until the charging bulb goes out.

**Caution:** The charging bulb will get hot!

4. Immediately after the charging process, take out the charging bulb from the connecting wire. And connect the positive cable of the battery directly to the positive terminal on the capacitor.

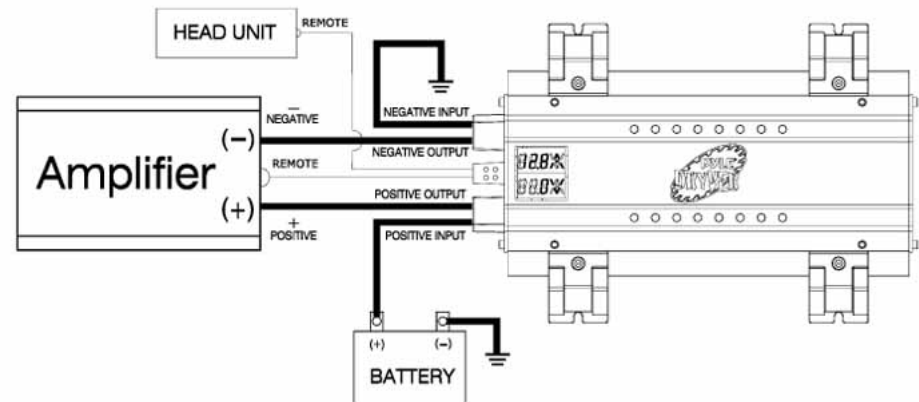
### **DISCHARGING THE CAPACITOR:**

WHEN YOU WANT TO MOVE THE CAPACITOR FROM ORIGINAL INSTALLED CAR AUDIO SYSTEM, YOU MUST FIRST FOLLOW DISCHARGING PROCESS AFTER TAKING OUT THE CAPACITOR FROM THE CAR AUDIO SYSTEM.



To Discharge the capacitor: With battery power disconnected, place the light bulb or resistor across the capacitor's positive and negative terminals until light goes out or for three minutes if using a resistor.

### **MULTIPLE CAPACITOR WIRING DIAGRAM:**



### **LIMITED WARRANTY**

One Year Warranty from the date of purchase.

### **WARNING!!**

THIS POWER CAPACITOR MAY EXPLODE AND CAUSE SERIOUS INJURY IF ABUSED OR CONNECTED IMPROPERLY. PLEASE REFER TO THE INSTRUCTIONS CONTAINED IN THIS MANUAL FOR CORRECT MOUNTING, CHARGING/DISCHARGING AND WIRING CONNECTION FOR THIS CAPACITOR PRIOR TO INSTALLATION.

## Free Manuals Download Website

<http://myh66.com>

<http://usermanuals.us>

<http://www.somanuals.com>

<http://www.4manuals.cc>

<http://www.manual-lib.com>

<http://www.404manual.com>

<http://www.luxmanual.com>

<http://aubethermostatmanual.com>

Golf course search by state

<http://golfingnear.com>

Email search by domain

<http://emailbydomain.com>

Auto manuals search

<http://auto.somanuals.com>

TV manuals search

<http://tv.somanuals.com>