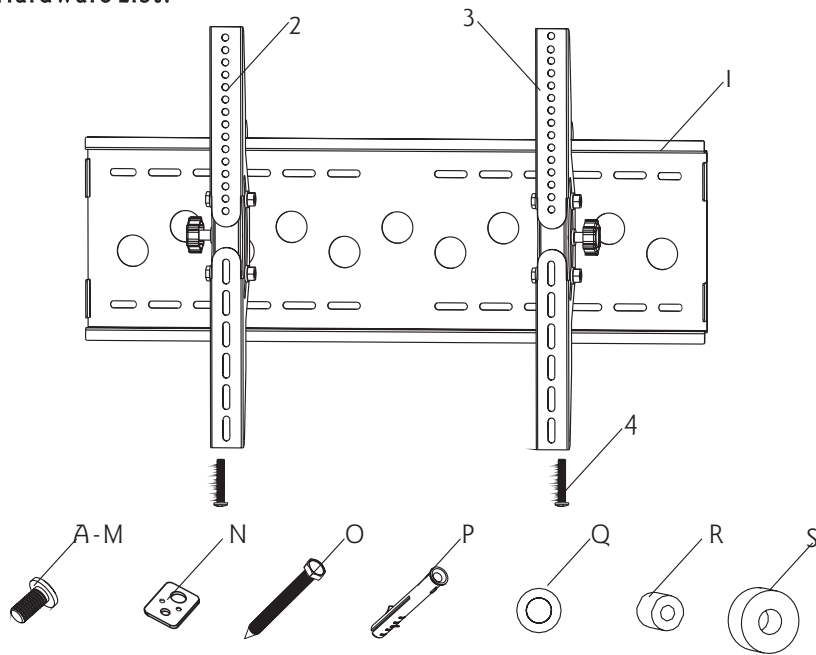




## Hardware List:



ID	Qty	Description
1	1	Wall mount
2	1	Left bracket
3	1	Right bracket
4	2	Safe bolt
A	4	M4 × 12mm bolt
B	4	M5 × 12mm bolt
C	4	M6 × 12mm bolt
D	4	M8 × 12mm bolt
E	4	M4 × 25mm bolt
F	4	M5 × 25mm bolt
G	4	M6 × 25mm bolt
H	4	M8 × 25mm bolt

ID	Qty	Description
I	4	M4 × 40mm bolt
J	4	M5 × 40mm bolt
K	4	M6 × 40mm bolt
L	4	M8 × 40mm bolt
M	4	1/4" - 20 × 5/8" bolt
N	4	Square washer
O	6	Long bolt
P	6	Wall anchor
Q	6	Long bolt washer
R	8	9/16" Spacer
S	8	1/2" Spacer

## Step 2: Attach mount to wall

First, determine the height of stand  
 The best height of stand is parallel to eyelevel of a person who sitting on a couch.  
 Normally, the horizontal distance of eyelevel is about 4' from ground level.  
 The following two conditions are for determining the perfect height of stand:  
 1) the distance between wall and couch (Fig 2a).  
 2) the distance of eyelevel from ground level plus the distance measured from eyelevel of a person sitting on couch with viewing angle of 15° (Fig 2a).

For example:

- 1) the distance of 'a' is 5'-7', the distance of 'b' is about 1'
- 2) the distance of 'a' is 8'-13', the distance of 'b' is about 3'
- 3) the distance of 'a' is 14'-17', the distance of 'b' is about 4'

The perfect height of stand centre will be anywhere within b, where you feel comfortable for viewing.

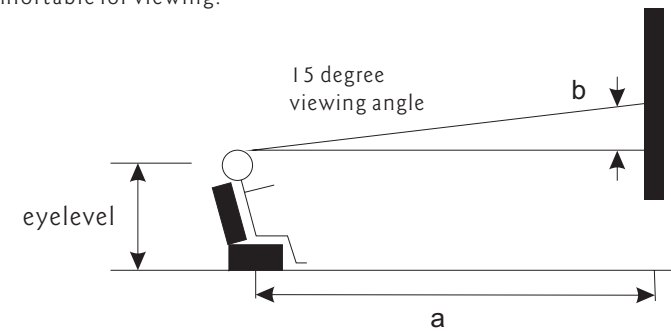


Fig 2a

After determining the height of stand, follow the installation instructions in below to install wall mount to different kinds of wall - wooden, brick, concrete and stone.

Wooden wall (Fig 2b):

Using a awl or nail to make where the nails are located, as shown as fig.2b. Distance between two nails for fixing wall mount must not less than 12". Pre-drill these holes with a 5mm drill bit to a at least 80mm in deep hole. Please make sure these holes are level and located at center. Use wall mount as a template to mark the location of other three holes and drill the same holes. Fix the wall mount to the wall with 4 long bolts (O) and washers (Q).

3. For display with protruding HDTV tune or deeply curved backs (Fig b), two 9/16" spacers (R) or two 1/2" spacers (S) should be used. Stack two spacers and then install them between display and the bracket. As shown in Fig 1c.

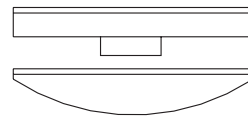


Fig b

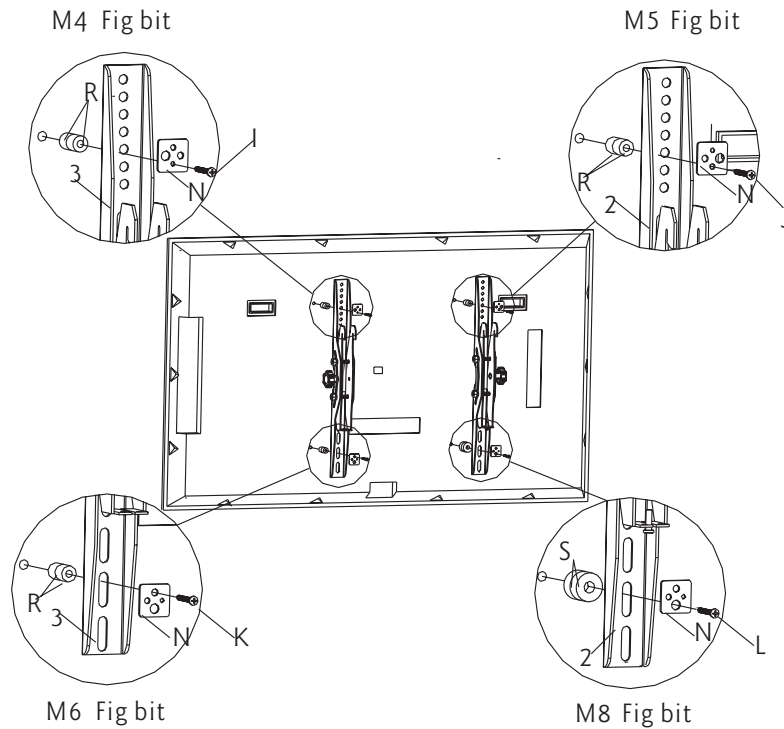


Fig 1c



We are not responsible for any personal injury or product damage due to mishandling, incorrect mounting, incorrect assembly or incorrect use of this product.

**Note:** The supplied wall mounting hardware is not for use on steel stud walls or cold cinder block walls. If you are uncertain about the nature of your wall, please consult a qualified contractor. If the hardware you required is not included please contact your local hardware store.

**Caution:** This Product LCD /Plasma Wall Mount Bracket is intended for use only with the maximum weights indicated. See apparatus instructions. Use with products heavier than the maximum weights indicated may result in instability causing possible injury.

**Step 1: Attach bracket to TV**

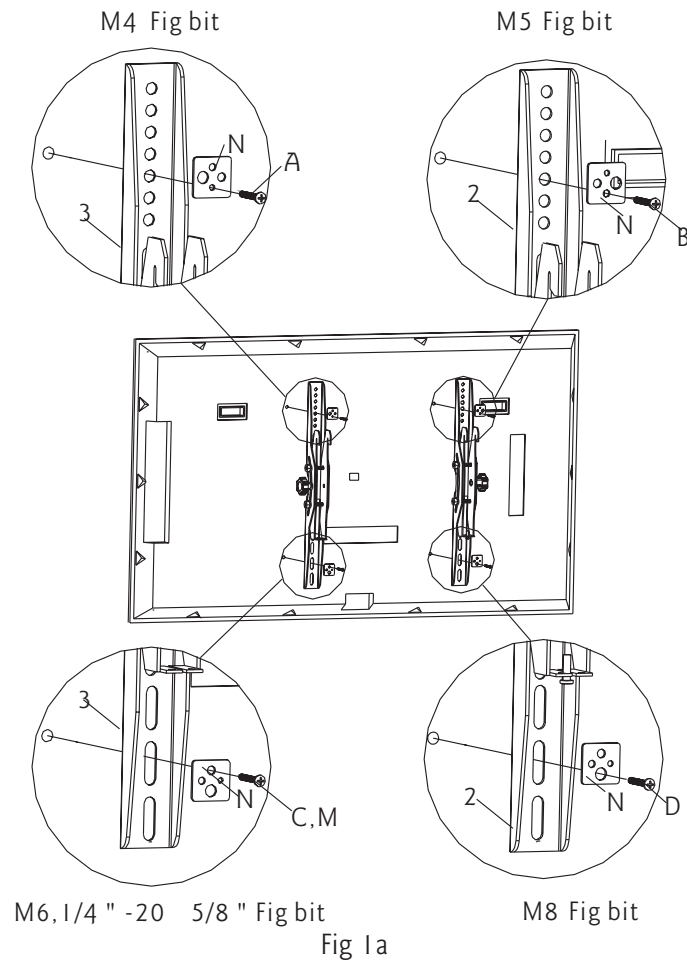
Check your TV manual to confirm the diameter of bolt to be used or choose an appropriate bolt according to size, height and position of the holes on your TV. See pages 4-6 of these instructions for examples.

For correct installing, make sure that hook of every bracket must facing down. Use selected bolts, spacers and washers for installing bracket at the back of display. Adjust two brackets to equal heights and level. Once aligned, tightly secure the bolts.

**IMPORTANT:** Don't force the bolt into the hole, which will cause a damage of equipments and injure of person. Don't use electric drill to fasten any bolts.

Following examples shows how to use bolts, spacers and square washers.

1. Some displays have vertical backs. No spacer is required. Install the bracket directly to the back of display by using bolts and square washers provided. As shown in Fig. 1 a.



2. Some displays have curved backs with recessed mounting lands (Fig. a). It will require the use of spacer. For this display, install a 9/16" spacer (R) or 1/2" spacer (S) between display and the bracket. As shown in Fig 1 b.

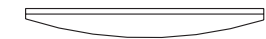


Fig a

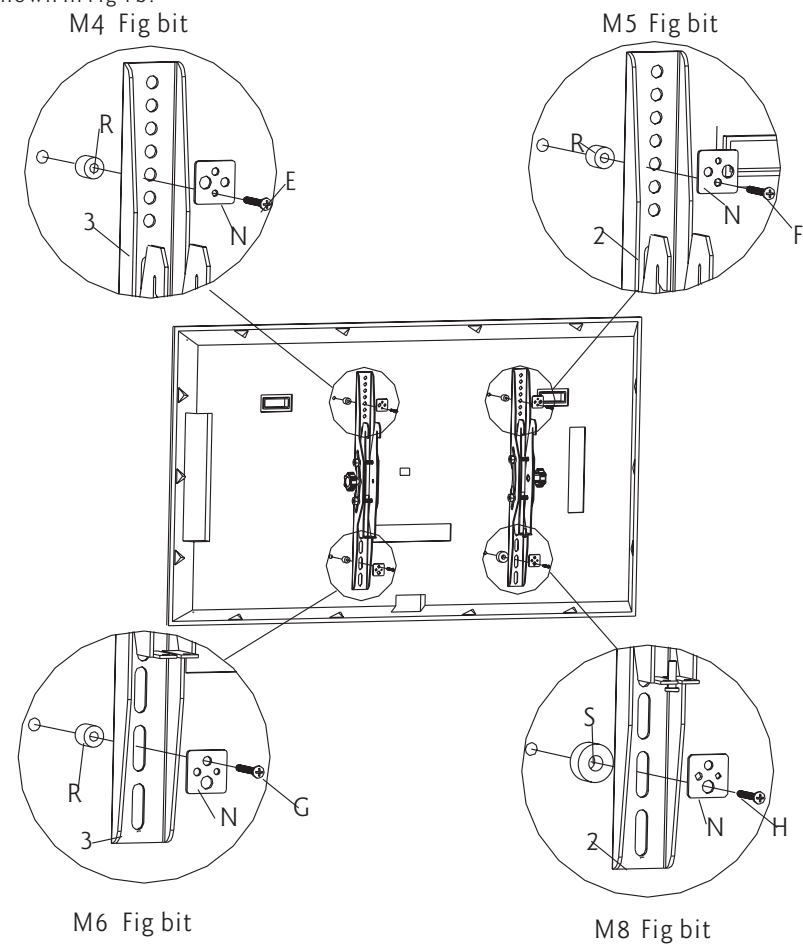


Fig 1 b

## Free Manuals Download Website

<http://myh66.com>

<http://usermanuals.us>

<http://www.somanuals.com>

<http://www.4manuals.cc>

<http://www.manual-lib.com>

<http://www.404manual.com>

<http://www.luxmanual.com>

<http://aubethermostatmanual.com>

Golf course search by state

<http://golfingnear.com>

Email search by domain

<http://emailbydomain.com>

Auto manuals search

<http://auto.somanuals.com>

TV manuals search

<http://tv.somanuals.com>