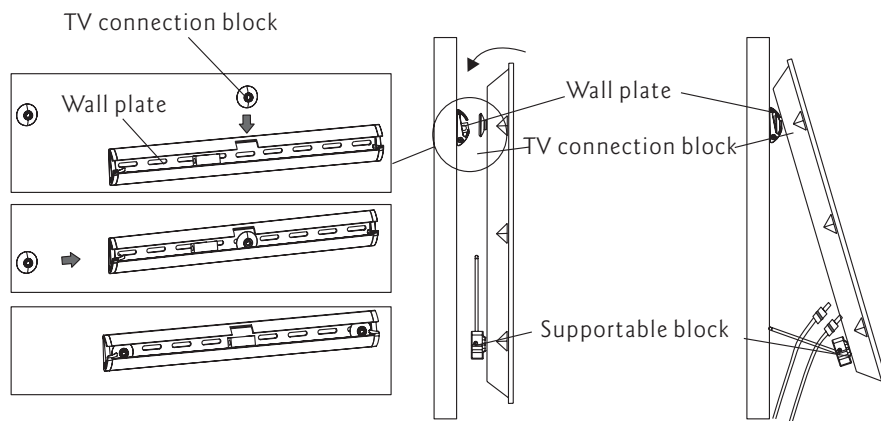


Part 3-Hang the screen

Hook the screen onto the wall plate. Then swing the screen down. Once the screen is settled, pull down the Supportable lever, so that you can insert the cable.

NOTE: Always use an assistant or mechanical lifting equipment to safely lift and position heavy equipment.



Thank you for choosing our product

Pyle Audio
1 600 63rd st , Brooklyn, NY, 11204
(718)236-8000

Warning

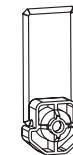
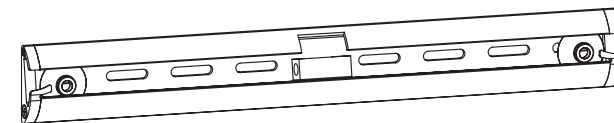
This product contains small items that could be a choking hazard if swallowed. Keep these items away from young children!

1. Make sure these instructions are read and completely understood before attempting installation. If you are unsure of any part of this installation, contact a professional installer for assistance.
2. The wall or mounting surface must be capable of supporting the combined weight of the mount and the display; otherwise the structure must be reinforced.
3. Safety gear and proper tools must be used. A minimum of two people are required for this installation. Failure to use safety gear can result in property damage, serious injury or death.



INSTALLATION GUIDE

Item No.:PSWLE07



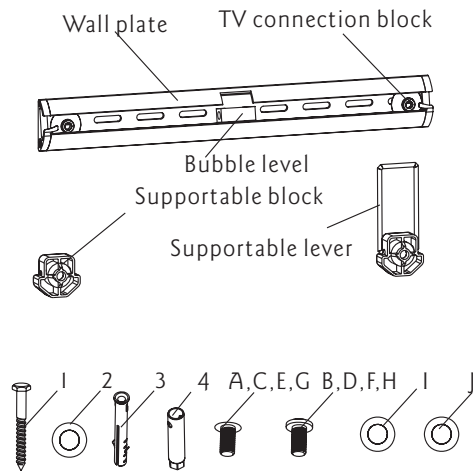
- TV Size Range: 23" ~ 46"
- Maximum Weight Capacity: 40kg/88lbs
- VESA: 100x100-400x400

www.pyleaudio.com

CAUTION

This product was designed to be installed on wood stud walls and solid concrete walls. Before installing make sure the supporting surface will support the combined load of the equipment and hardware. Never exceed the Maximum Load Capacity. This product is intended for indoor use only. Use of this product outdoors could lead to product failure or personal injury.

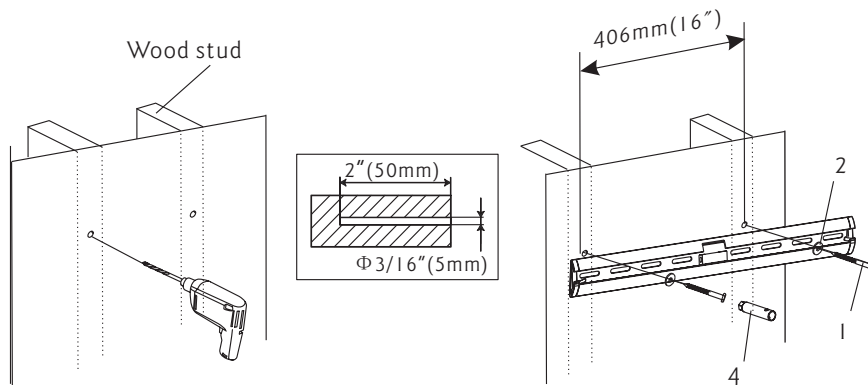
Hardware Kit:



ID	Qty	Description
1	2	Long bolt
2	2	Long bolt washer
3	2	Wall anchor
4	1	Box wrench
A	2	M4×15mm bolt
B	2	M4×16mm bolt
C	2	M5×15mm bolt
D	2	M5×16mm bolt
E	2	M6×15mm bolt
F	2	M6×16mm bolt
G	2	M8×20mm bolt
H	2	M8×16mm bolt
I	2	M5 taper washer
J	2	M5 washer

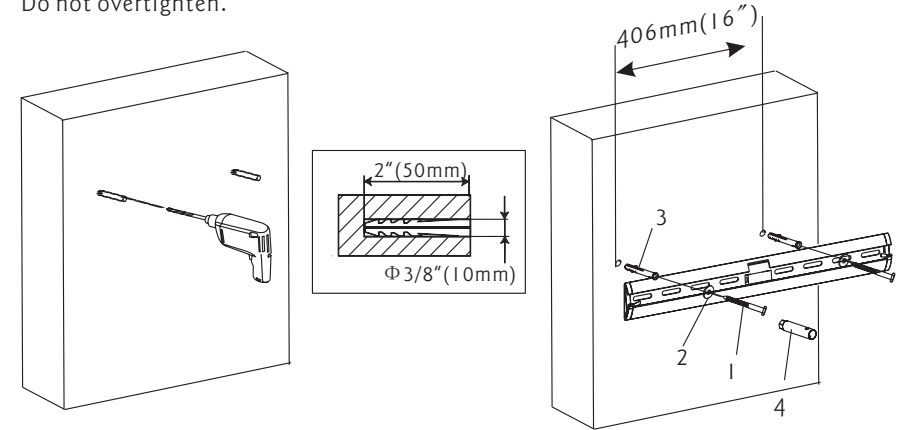
Part 1a-Wood Stud Mounting

Use wall plate as a template, make sure it is level, and mark two mounting holes along the center lines of the wood studs. Drill two 3/16" (5mm) dia. holes 2" (50mm) deep. Level wall plate and attach to wall with two long bolts (1) and two washers (2) by box wrench (4). Tighten screws firmly. Do not overtighten.



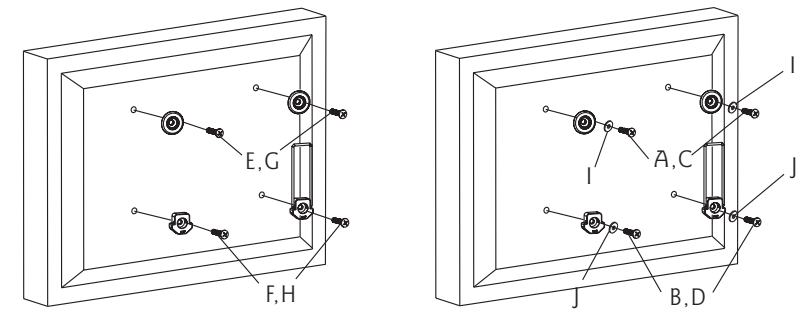
Part 1b-Concrete wall mounting

Level wall plate and use wall as a template to mark two holes. Drill two 3/10" (8mm) dia. holes 2" (50mm) deep. Insert two anchors (3) into holes and secure wall plate with two long bolts (1) and two washers (2) by box wrench (4). Tighten screws firmly. Do not overtighten.



Part 2-Attaching Supportable block and TV connection block To Screen

First, select the small (A,B), medium (C,D,E,F) or large (G,H) screws. To attach supportable block by using selected screws (A,C,E,G) and washers (I), and then attach TV connection block to screen by using selected screws (B,D,F,H) and washers (J). Tighten screws firmly but do not overtighten. WARNING screws (A,B,C,D) need washer, screws (E,F,G,H) don't need washer.



Free Manuals Download Website

<http://myh66.com>

<http://usermanuals.us>

<http://www.somanuals.com>

<http://www.4manuals.cc>

<http://www.manual-lib.com>

<http://www.404manual.com>

<http://www.luxmanual.com>

<http://aubethermostatmanual.com>

Golf course search by state

<http://golfingnear.com>

Email search by domain

<http://emailbydomain.com>

Auto manuals search

<http://auto.somanuals.com>

TV manuals search

<http://tv.somanuals.com>