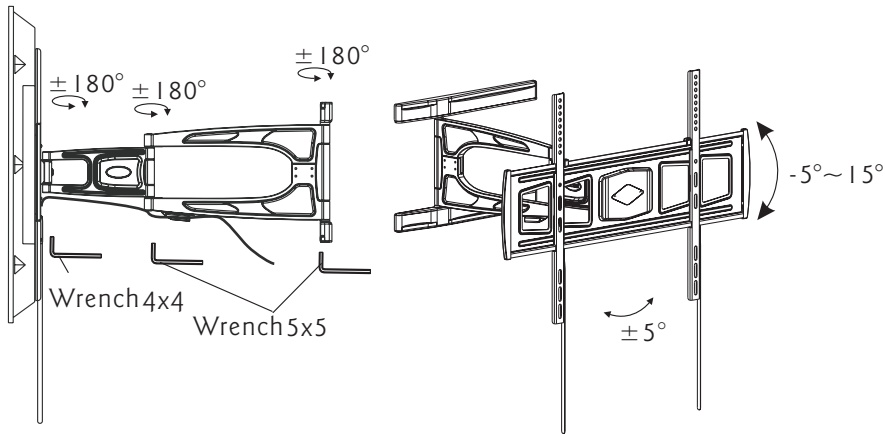


Part 5-Adjusting display and using cord management

Route cords along articulating arms using cord management clips. Articulating arms can be adjusted to position display into desired location. Use wrench(8) to tighten and loosen the tension screw. Do not overtighten or overloosen to make the screws come out.



Thank you for choosing our product

Pyle Audio
1 600 63rd st , Brooklyn, NY, 11204
(718)236-8000

⚠ Warning

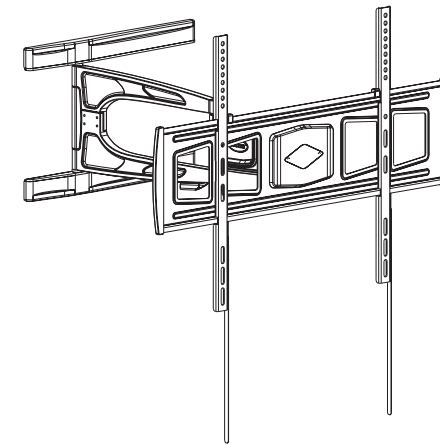
This product contains small items that could be a choking hazard if swallowed. Keep these items away from young children!

1. Make sure these instructions are read and completely understood before attempting installation. If you are unsure of any part of this installation, contact a professional installer for assistance.
2. The wall or mounting surface must be capable of supporting the combined weight of the mount and the display; otherwise the structure must be reinforced.
3. Safety gear and proper tools must be used. A minimum of two people are required for this installation. Failure to use safety gear can result in property damage, serious injury or death.



INSTALLATION GUIDE

Item No.:PSWLE82



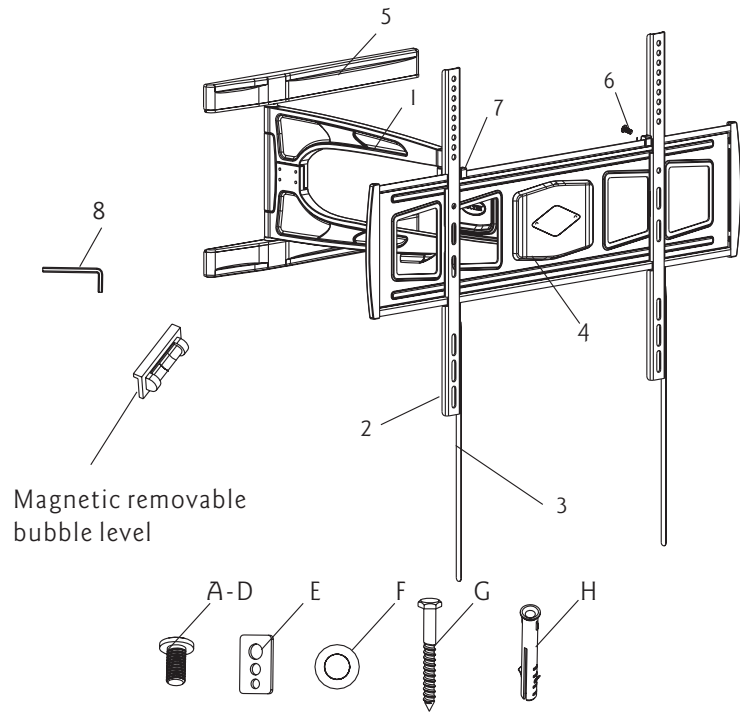
- TV Size Range: 37"~55"
- Maximum Weight Capacity: 35kg/77lbs
- VESA: 700X500
- Safety automatic lock
- Unlock cord

⚠ CAUTION

www.pyleaudio.com

This product was designed to be installed on wood stud walls and solid concrete walls. Before installing make sure the supporting surface will support the combined load of the equipment and hardware. Never exceed the Maximum Load Capacity. This product is intended for indoor use only. Use of this product outdoors could lead to product failure or personal injury. The depth of this mount(1.3") may not provide sufficient space for proper ventilation on some screens. Please refer to the manufacturer's requirements for mounting your screen before installation.

Hardware Kit:



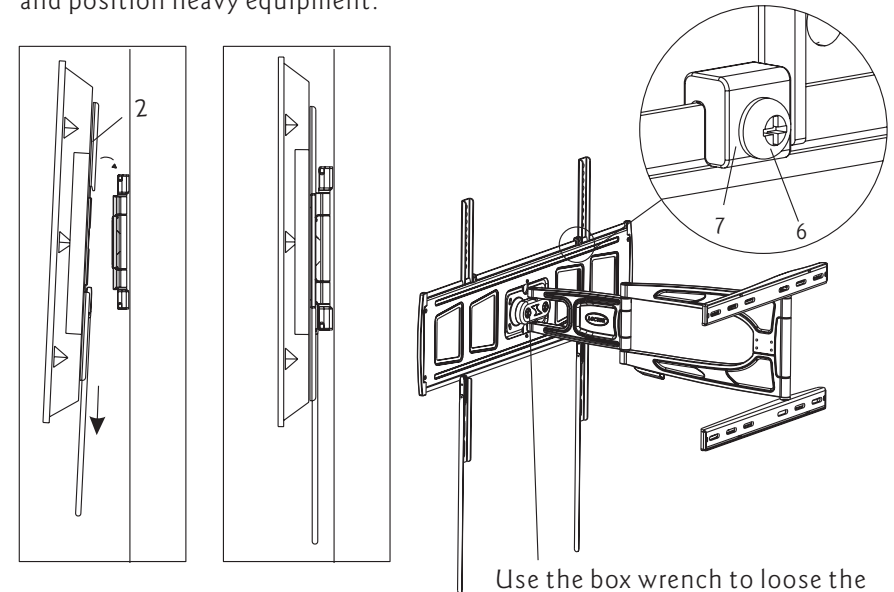
ID	Qty	Description
1	1	Wall plate
2	2	Bracket
3	2	Ribbon
4	1	TV plate
5	2	Plastic cover
6	2	Screw
7	2	Slide block(Position lock)
8	2	Wrench(4x4,5x5)

ID	Qty	Description
A	4	M4×16mm bolt
B	4	M5×16mm bolt
C	4	M6×16mm bolt
D	4	M8×16mm bolt
E	4	Square washer
F	4	Long bolt washer
G	4	Long bolt
H	4	Wall anchor

Part 4-Mounting the flat panel screen

Hook the top of brackets(2) onto the center of wall plate(1). Then swing the screen down. Fixed slide block(7) into wall plate by screw(6).

NOTE: Always use an assistant or mechanical lifting equipment to safely lift and position heavy equipment.



Use the box wrench to loose the screw if there's too tight to tilt

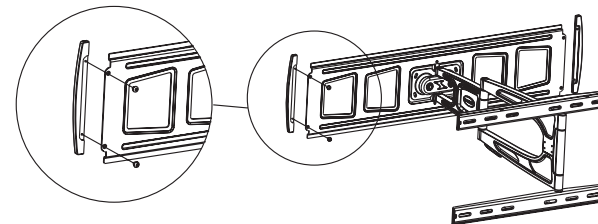
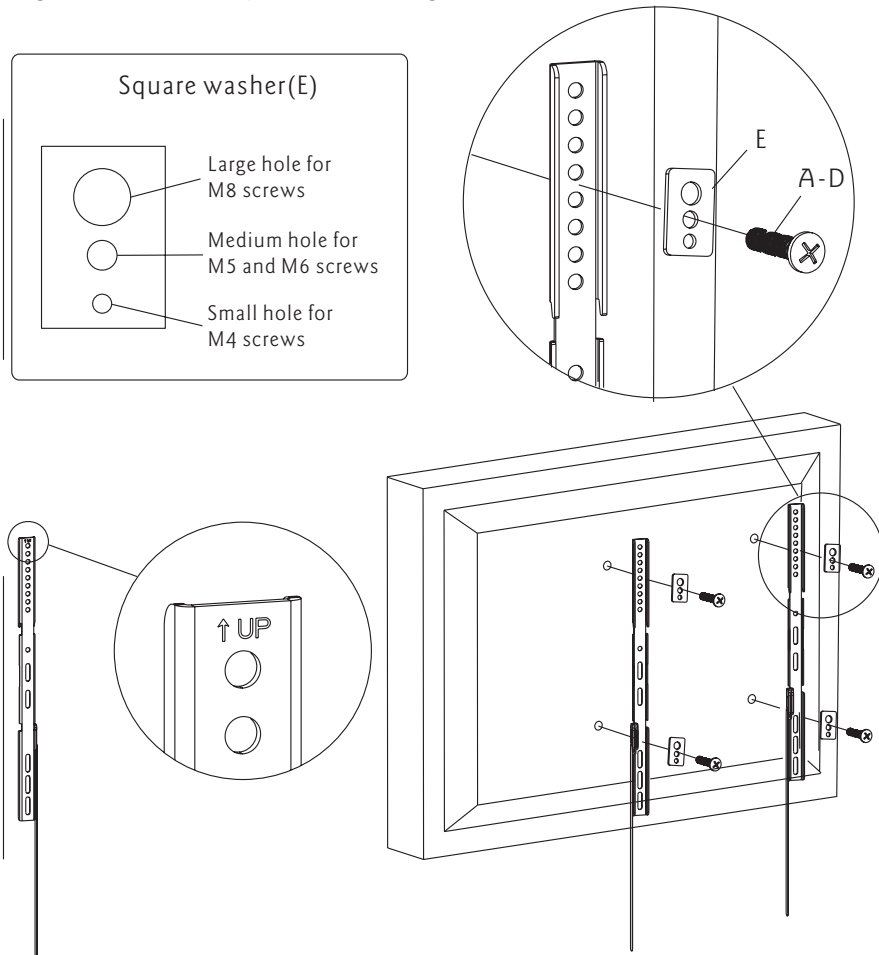


FIG.A

Before installation, please attach these two decorative end caps to the two sides of TV plate.(FIG.A)

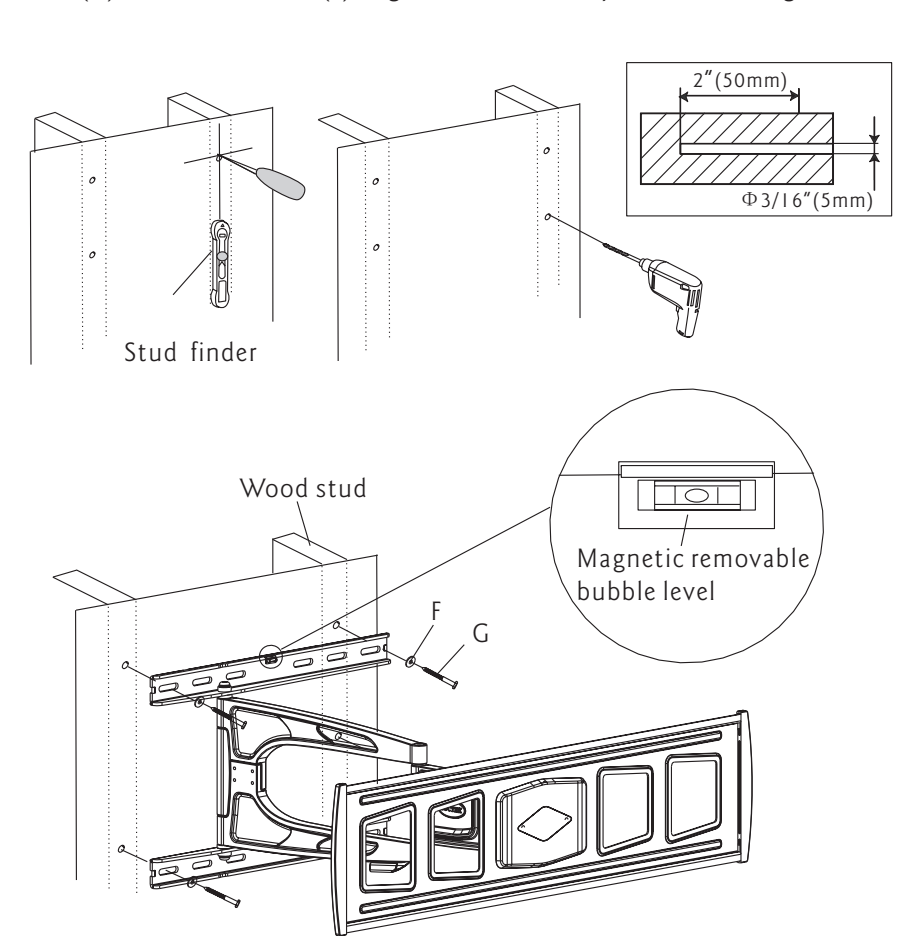
Part 3-Attaching brackets to screen

Center brackets vertically on back of screen. Select the small(A), medium (B or C) or large(D) screws. Attach brackets to screen using four selected screws and four square washers(E) at the top and bottom of each bracket. Tighten screws firmly. Do not overtighten.



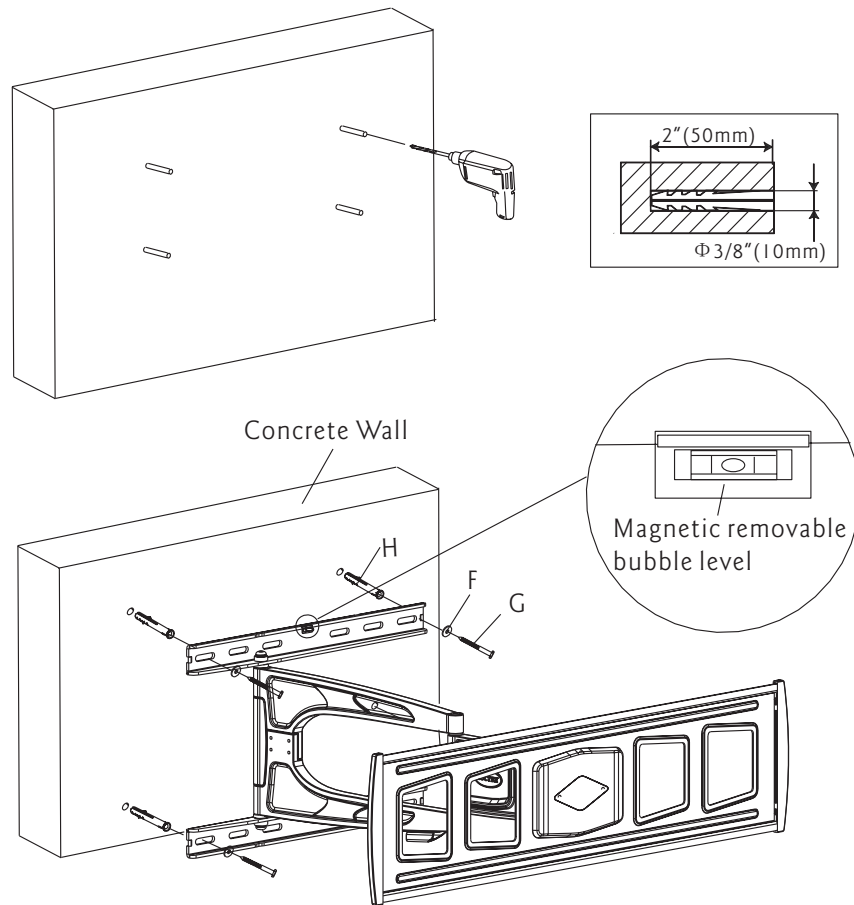
Part 1a-Wood Stud Mounting

Use wall plate(I) as a template, make sure it is level, and mark four mounting holes along the center lines of the wood studs. Drill four 3/16"(5mm)dia. holes 2"(50mm) deep. Level wall plate(I) and attach to wall with four long bolts(G) and four washers(F). Tighten screws firmly. Do not overtighten.



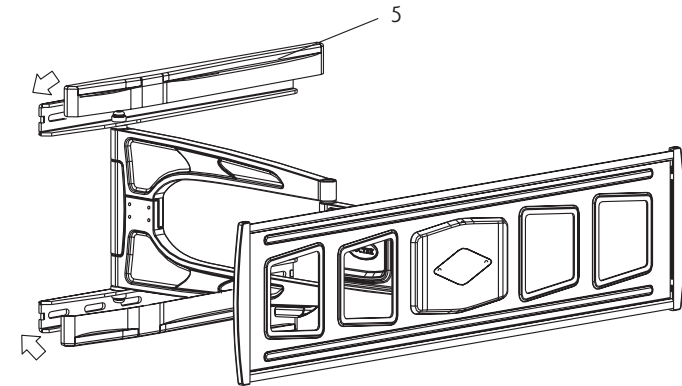
Part 1b-Concrete Wall Mounting

Level wall plate(I) and use wall as a template to mark four holes. Drill four 3/8" (10mm) dia. holes 2" (50mm) deep. Insert four anchors(H) into holes and secure wall plate with four long bolts(G) and four washers(F). Tighten screws firmly. Do not overtighten.

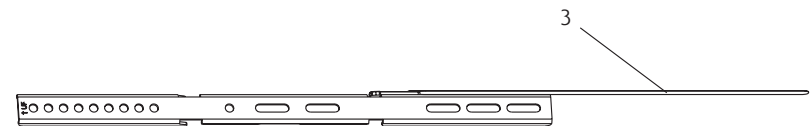


Part 2-Attaching plastic covers to wall plate

Secure plastic covers over wall plate by pushing them toward each other until they lock in place.



If you think the ribbon is too long, You can hide it at the back of the television,once you want to uninstall the TV, it can help you to take out the brackets.



Free Manuals Download Website

<http://myh66.com>

<http://usermanuals.us>

<http://www.somanuals.com>

<http://www.4manuals.cc>

<http://www.manual-lib.com>

<http://www.404manual.com>

<http://www.luxmanual.com>

<http://aubethermostatmanual.com>

Golf course search by state

<http://golfingnear.com>

Email search by domain

<http://emailbydomain.com>

Auto manuals search

<http://auto.somanuals.com>

TV manuals search

<http://tv.somanuals.com>