

Fig 3

Caution : This Product LCD /Plasma Wall Mount Bracket is intended for use only with the maximum weights indicated .See apparatus instructions .Use with products heavier than the maximum weights indicated may result in instability causing possible injury .

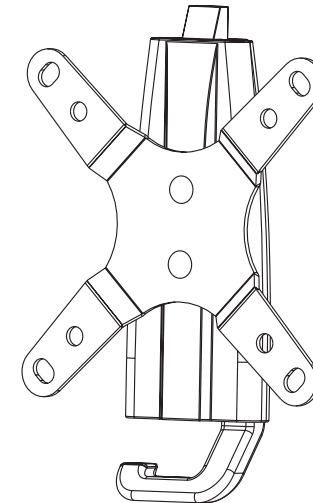


PYLE[®]
Home

Plasma LCD bracket

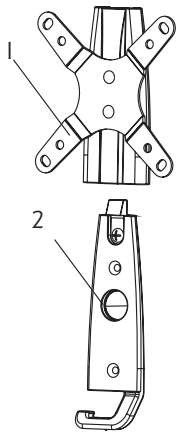
INSTALLATION GUIDE

Item No.:PWL003

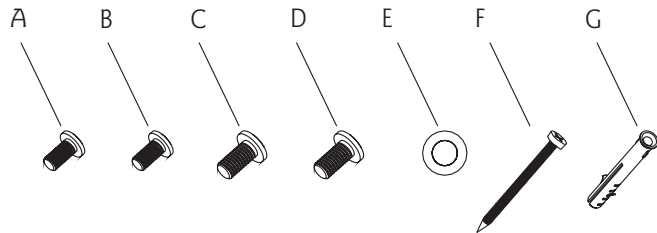


- Ideal for Flat Panels from 10" to 24"
- According VESA standard to design
- Thinnest design: Distance to the wall is only 37mm
- Easy installing: just glide and embed to finish installing of panel
- Max load capacity: 15kg/33lbs

Parts:



No	Qty	Name
1	1	LCD panel
2	1	Wall mount
A	4	M4x8 bolt
B	4	M4x12 bolt
C	4	M5x8 bolt
D	4	M5x12 bolt
E	4	M5 washer
F	2	Long bolt
G	2	Wall anchor



Step 1: Choose fitting position on the wall.

Important: Make sure there is enough space to spread LCD, considering show size.

This product offers two installing parts: wooden wall and cement wall.

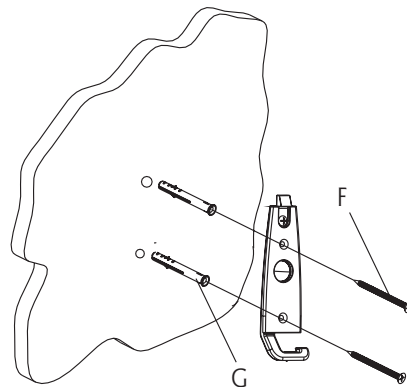


Fig 1

Step2: Installing wall mount

Installing ways of batten wall.

Use a electronic detector in lay position to detect the position of batten, then making a mark. Put the wall mount in the installing position flatly, using it as template, lining out a hole in the center of batten. Using a aiguille of dia.3mm to drill two 50mm deep holes. Using long bolt to install wall mount carefully.

Installing ways of cement and beton wall

Put the wall mount flatly in the installing position, using it as template, lining out the hole on the wall. Use a aiguille of dia.8mm to drill a 50mm hole, embedding the wall anchor to hole, and knocking it into wall lightly.

Carefully: wall anchor is just fit for cement and beton wall. Don't use wall anchor in drywall to install bracket..

Step 3: Installing LCD

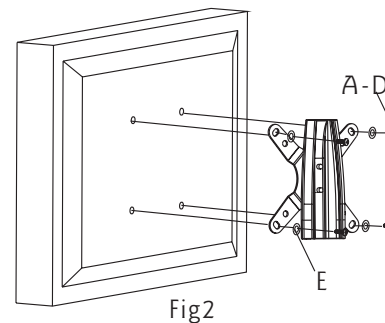


Fig2

According LCD hole's size, deep, position to choose bolt. Using M5 washer and chose bolts to install the LCD on the panel. Showing as Fig 2.

Carefully: Don't force the bolt to LCD hole, avoiding damage to people and instrument. Don't use electronics drill to fasten screw.

Step 4: Button the LCD to wall

Firstly put up the panel and TV, making the small trough on the panel fit to the big trough on the wall mount, according trough to embed the LCD panel into the wall mount, As shown in Fig 3.

Warning: It needs 2 people to put up some TV! Our company will not responsible for any damage by man-made.

Free Manuals Download Website

<http://myh66.com>

<http://usermanuals.us>

<http://www.somanuals.com>

<http://www.4manuals.cc>

<http://www.manual-lib.com>

<http://www.404manual.com>

<http://www.luxmanual.com>

<http://aubethermostatmanual.com>

Golf course search by state

<http://golfingnear.com>

Email search by domain

<http://emailbydomain.com>

Auto manuals search

<http://auto.somanuals.com>

TV manuals search

<http://tv.somanuals.com>