

PYLE®

Instruction Manual

VIDEO CASSETTE RECORDER
WITH BUILT-IN TV TUNER

PLTVCP85



CAUTIONS AND WARNINGS

To obtain the best results and to avoid malfunctions, PLEASE READ CAREFULLY THE DESCRIPTIONS AND OPERATING PROCEDURES CONTAINED IN THIS OWNER'S MANUAL PRIOR TO OPERATING THE VIDEO CASSETTE RECORDER.



This user manual employs the following symbols to indicate different types of warning messages.



Indicates the presence of uninsulated dangerous voltage within the unit enclosure.



Indicates a warning or notice regarding product operation.
Indicates the presence of important operating and maintenance (servicing) instructions.

WARNING : TO PREVENT FIRE OR ELECTRIC SHOCK, DO NOT EXPOSE THIS APPLIANCE TO RAIN OR MOISTURE.

AVERTISSEMENT : POUR PRÉVENIR LES RISQUES D'INCENDIE ET D'ÉLECTROCUTION, NE PAS EXPOSER CET APPAREIL À LA PLUIE NI À L'HUMIDITÉ.

SAFETY INSTRUCTIONS

1. Read Instructions-All the safety and operating instructions should be read before the Video Cassette Recorder is operated.
2. Retain Instructions- The safety and operating instructions should be retained for future reference.
3. Heed Cautions and Warnings-All cautions and warnings regarding the Video Cassette Recorder should be adhered to.
4. Follow Instructions-All operating instructions should be followed.
5. Cleaning-Unplug or turn off vehicle power to the Video Cassette Recorder before cleaning.
Do not use liquid cleaners or aerosol cleaners. Use only a damp cloth for cleaning.
6. Attachments-Do not use attachments not recommended as they may cause hazards.
7. Water and Moisture-Do not use this video product near water, for example, near a bath tub, kitchen sink, near a swimming pool or other wet locations.
8. Accessories-Do not place the Video Cassette Recorder on an unstable cart, stand, tripod, bracket, or table. The Video Cassette Recorder may fall, causing serious injury to a child or adult, and serious damage to the Video Cassette Recorder. Use only with a cart,stand, tripod, bracket, or table recommended . When used in vehicles, the Video Cassette Recorder must be securely fastened.
9. Ventilation-Slots and openings in the cabinet are provided for ventilation to ensure reliable operation of the Video Cassette Recorder and to protect it from overheating. These openings must not be blocked or covered. The openings should never be blocked by placing the Video Cassette Recorder on a bed, sofa, rug, or other similar surface. The Video Cassette Recorder should never be placed near or over a radiator or heat register. This video product should not be placed in a built-in installation such as a book case or rack unless proper ventilation is provided.
10. Power Sources-The Video Cassette Recorder should be operated only from the type of power source indicated on the marking label. If you are not sure of the type of power supply , consult your appliance dealer or local power company. For video products intended to operate from battery power or other sources, refer to the operating instructions.
11. Do not attempt to service the set yourself as opening or removing covers may expose you to dangerous voltage or other hazards.
Refer all servicing to qualified service personnel.

INFORMATION TO THE USER

This equipment has been tested and found to comply with the limits for a Class B digital device, pursuant to part 15 of the FCC Rules. These limits are designed to provide reasonable protection against harmful interference in a residential installation. This equipment generates, uses and can radiate radio frequency energy and, if not installed and used in accordance with the instructions, may cause harmful interference to radio communications. However, there is no guarantee that interference will not occur in a particular installation. If this equipment does cause harmful interference to radio or television reception, which can be determined by turning the equipment off and on, the user is encouraged to try to correct the interference by one more of the following measures:

- Reorient or relocate the receiving antenna.
- Increase the separation between the equipment and receiver.
- Connect the equipment into an outlet on a circuit different from that to which the receiver is connected.
- Consult the dealer or an experienced radio/TV technician for help.

WARNING

Changes or modifications not expressly approved by the manufacturer could void the user's authority to operate the equipment.

TABLE OF CONTENTS

CAUTIONS AND WARNINGS	1
SAFETY INSTRUCTIONS	2
TABLE OF CONTENTS	3
FEATURES	4
ACCESSORIES	4
INSTALLATION WITH MOUNTING BRACKETS	5
FRONT PANEL-CONTROLS AND INDICATORS	6
REAR PANEL-CONNECTIONS AND POWER	8
REMOTE CONTROLLER	10
SETTING THE MENU	11
OPERATING TV TUNER	13
VIDEO HEAD CLEANING	14
ERASURE PROTECTION	14
TROUBLE SHOOTING	15
SPECIFICATIONS	17

FEATURES

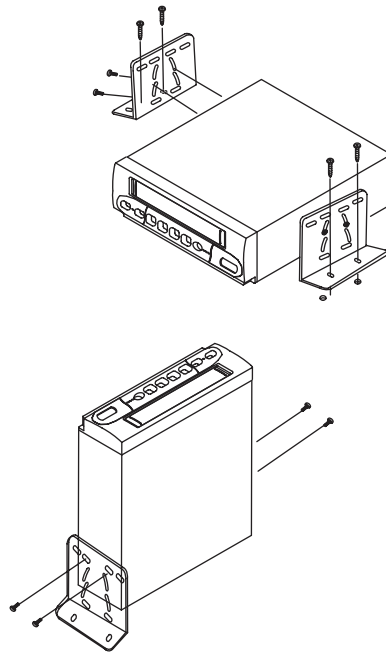
- BUILT-IN TV TUNER (TV/CATV)
- HI-FI STEREO SYSTEM
- BACK LIGHTING OF FUNCTION BUTTONS
- ON SCREEN DISPLAY (English)
- EXTERNAL IR REMOTE CONTROLLER WITH RECEIVER
- DEW & HEAT SENSORS FOR TAPE PROTECTION
- NTSC COLOR SYSTEM
- TWO AUDIO/VIDEO INPUTS
- ENCORE FUNCTION
 - Press ENCORE key on the remote controller to watch the desired picture once during playback.
- AUTO REPEAT PLAY
 - This function can be turned on/off from "menu".
- DIGITAL AUTO TRACKING
 - This VCR plays clear pictures without special operations.
- AUTO START FUNCTION
 - This VCR will automatically power on and into PLAYBACK mode when a cassette is inserted.
- DC POWER SUPPLY (2 KINDS OF DC 12V INPUTS)

ACCESSORIES

- VCR UNIT
- INSTRUCTION MANUAL
- POWER CABLE
- REMOTE CONTROLLER AND BATTERY
- REMOTE IR SENSOR CABLE (5M)
- CONVERT-ADAPTER
- MOUNTING BRACKET AND SCREW

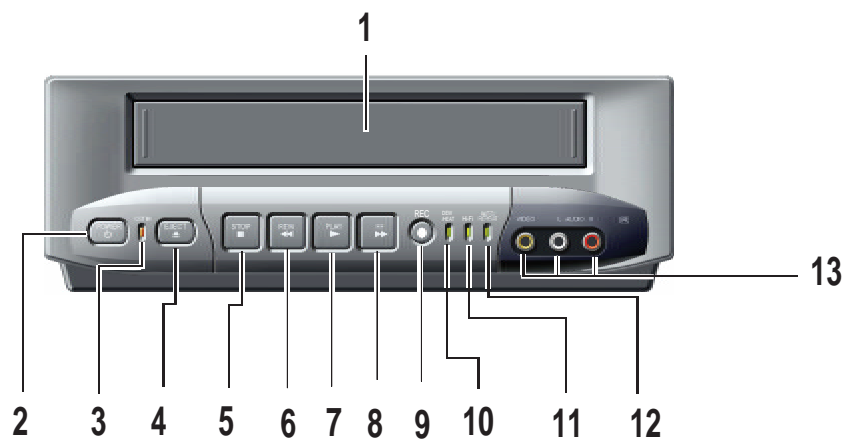
INSTALLATION WITH MOUNTING BRACKETS

Use the short screw for the joint of the VCR and bracket.
Use the long screw for installation of this VCR to your vehicle or any other place.



The VCR can be mounted vertically , horizontally or at any angle in between with the supplied mounting brackets. The VCR cannot be mounted upside down or on its side. VCR is sensitive to dirt and other contaminants. Do not mount the unit in direct sunlight or where fluids are likely to spill on or in the unit.
The VCR is for 12Volt negative ground vehicles only.

FRONT PANEL-CONTROLS AND INDICATORS



1. Cassette Compartment

The power is on automatically when the cassette is inserted even if the power was off. When the cassette is inserted, Auto Tracking Adjustment operates automatically.

2. Power Key

When power is supplied to the set, the power indicator lamp will always light up in red. The Power ON and Power OFF mode will be toggled by pressing this key.

When the POWER is switched on, the power lamp will light up in red the other keys will light up in green.

3. Cassette-In Lamp

When the cassette is inserted, the CST-IN lamp will light up in green.

4. Eject Key

Press this button to eject tape.

5. Stop Key

Press this button to stop tape.

6. Rewind / Review Key

If this key is pressed in the PLAYBACK mode, the VCR enters the reverse picture search mode, and "REW" indicator lamp will be blinked.

If pressed in STOP mode, then the tape will rewind at high speed, the indicator lamp will up in red.

7. Play / Re-AutoTracking

Press this key to playback a recorded tape, or to release special operation such as the search mode.

In the playback mode the playback indicator lamp will be light in red, and Auto Tracking mode, this indicator lamp will blink.

When the playback picture is noisy, press this key to operates Re-Auto Tracking.

8. Fast Forward / Cue Key

If this key is pressed in the PLAYBACK mode, the VCR enters the forward picture search mode, and "FF" indicator lamp will be blinked.

If pressed in STOP mode, then the tape will fast forward at high speed, the indicator lamp will up in red.

9. REC Key

Press the REC key for at least one second to start recording.

10. DEW/HEAT Lamp

When power is on, this indicator flashes red to indicate excessive moisture buildup inside the VCR.

The unit will not operate unit it dries out sufficiently (the tape can be ejected from the unit).

When DEW mode has been activated, leave the unit on the allow it to dry out completely.

11. Hi-Fi Lamp

In the Hi-Fi out mode, the lamp will light up in red.

12. Auto Repeat Lamp

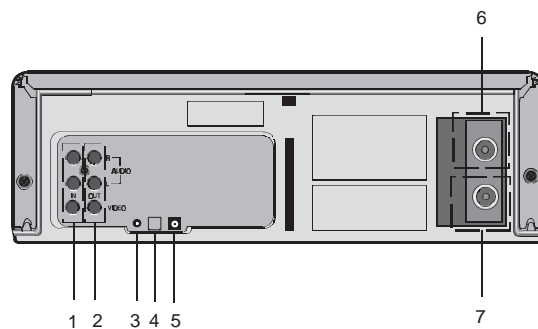
During Auto repeat operation, Auto Repeat lamp will light up in red.

13. Audio/Video In Jacks (AV2)

Connect these jacks to the audio/video out jacks terminal of your game machine or camcorder using the RCA cord.

For displaying this Front A/V Input connected, Input Signal should be set to " AV2" in Menu setting mode.

REAR PANEL-CONNECTIONS AND POWER



1. AUDIO/VIDEO IN (AV1)

Connector this terminal to VIDEO/AUDIO OUT terminal of your Game machine, Camcorder, Portable DVD Player, using the RCA cord
For displaying this Rear A/V input connected, Input Signal should be set to "AV1" in Menu setting mode.

2. AUDIO/VIDEO OUT

Connect this terminal to VIDEO/ AUDIO IN terminal of your TV (or Amplifier/Monitor), using the RCA cord provided.

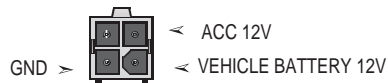
3. IR INPUT

Connect this terminal to Remote IR Sensor cable provided.

4. DC 12V IN JACK (Locking type)

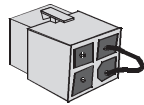
For car using, we recommend to use this connector with 3-wire system.

* Connector description for 4



5. DC 12V IN JACK (Round type)

To use this connector, below Convert-Adapter accessory should be locked into above connector 4.



(Convert-Adapter)

* Please note : We highly recommend to connect the unit corresponding to the 3-wire system of 4.

Thus, to make sure a proper working of power-off tape guide. Beyond it, the unit will automatically change to standby mode after turning off the vehicle in order to save the car battery.

6. ANT IN (TV/CATV)

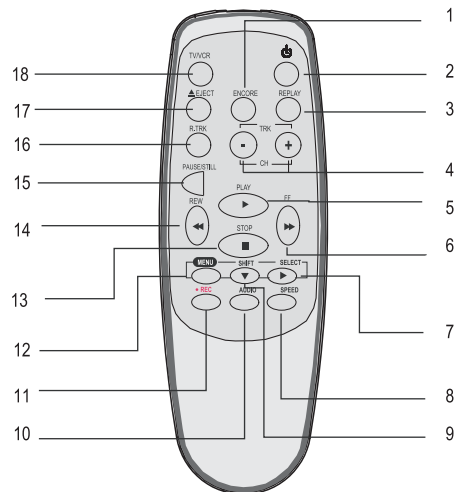
Connect the TV antenna (or cable if available- home use) to this connector.

7. RF OUT

This connectors provides an interface to the antenna input connectors terminal of your television using a coaxial cable.

Set TV to channel 3 or 4 to watch video tapes.

REMOTE CONTROLLER



1. To watch the desired picture once more during playback, press "ENCORE" key .
The VCR unit rewinds the tape for 5 seconds and will play the picture watch again.
2. POWER ON/OFF
3. To watch the picture from start position of tape, press "REPLAY" key .
The VCR unit rewinds the start position of tape.
4. TRACKING -,+ (Manually Tracking in playback mode) / CHANNEL -,+ (in TV or CATV mode)
5. PLAY
6. FAST FORWARD
7. SELECT
8. Tape speed in recording (SP,EP)
9. SHIFT (Cursor Move)
10. During the Hi-Fi STEREO tape playback mode, you can select the audio out channel.
"Hi-Fi → Hi-Fi "L" → Hi-Fi "R" → Mono → Hi-Fi "
11. RECORDING
12. MENU (setting OSD, System and TV Tuner)
13. STOP
14. REWIND
15. PAUSE/STILL
16. When the playback picture is noisy, this "RE - TRACKING" key will control the playback picture quality automatically.
17. EJECT
18. Press to switch between TV and VCR source.
This switch is functioned only when RF OUT connects to TV antenna Input with setting of the TV channel 3 or 4.

SETTING THE MENU

Setting the OSD (On Screen Display)



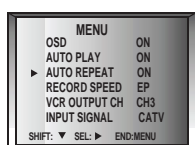
1. Press MENU key on the remote control.
2. Press select ► key until the appropriate system is selected. ("on" or "off")
3. On completion, press MENU key to exit the menu.

Setting the Auto PLAY



1. Press MENU key on the remote control.
2. Press shift ▼ key, until the cursor is placed in front of the "AUTO PLAY " option.
3. Press select ► key until the appropriate system is selected. ("on" or "off")
4. On completion, press MENU key to exit the menu.

Setting the Auto Repeat



1. Press MENU key on the remote control.
2. Press shift ▼ key, until the cursor is placed in front of the "AUTO REPEAT " option.
3. Press select ► key until the appropriate system is selected. ("on" or "off ")
4. On completion, press MENU key to exit the menu.

Setting the Record Speed



1. Press MENU key on the remote control.
2. Press shift ▼ key, until the cursor is placed in front of the "RECORD SPEED" option.
3. Press select ► key until the appropriate system is selected. ("EP" or "SP")
3. On completion, press MENU key to exit the menu.

Setting the VCR Output CH



1. Press MENU key on the remote control.
2. Press shift ▼ key, until the cursor is placed in front of the "VCR OUTPUT CH" option.
3. Press select ► key until the appropriate system is selected. ("CH3" or "CH4")
3. On completion, press MENU key to exit the menu.

Setting the Input Signal (Entrance to TV Tuner Operation)



1. Press MENU key on the remote control.
2. Press shift ▼ key, until the cursor is placed in front of the "INPUT SIGNAL" option.
3. Press select ► key, then the current input signal mode will be blinked.
4. Press shift ▼ key until the appropriate system is selected. ("TV" → "CATV" → "AV1" → "AV2")
5. Press select ► key, to keep selected input signal.

※ **Note :**

AV1 - Rear A/V Input

AV2 - Front A/V Input

If "TV" or "CATV" is selected, channels will be found and stored automatically.

OPERATING TV TUNER

TV CHANNEL SET

※ **NOTE** : If RF-Signal is not input searching channel will be displayed blue-back picture.



1. Press MENU key on the remote control.
2. Press shift ▼ key, until the cursor is placed in front of the "INPUT SIGNAL" option.
3. Press select ► key, then the current input signal mode will be blinked.
4. Press shift ▼ key, until "TV" is selected. ("TV" > "CATV" > "AV1" > "AV2")
5. Press select ► key, then channels will be found and stored automatically.
While the "AUTO SEARCHING" is progressing, channels will be changed up to 69.
6. When searching and storing is completed, the TV mode will be displayed.

※ **NOTE** :

While searching and storing channels, no button will be operated.

When "AUTO REPAT" function is "OFF" and VCR is "STOP" mode, this function will be operated.

CATV CHANNEL SET

※ **NOTE** : If RF-Signal is not input searching channel will be displayed blue-back picture.



1. Press MENU key on the remote control.
2. Press shift ▼ key, until the cursor is placed in front of the "INPUT SIGNAL" option.
3. Press select ► key, then the current input signal mode will be blinked.
4. Press shift ▼ key, until "CATV" is selected. ("TV" > "CATV" > "AV1" > "AV2")
5. Press select ► key, then channels will be found and stored automatically.
While the "AUTO SEARCHING" is progressing, channels will be changed up to 125.
6. When searching and storing is completed, the CATV mode will be displayed.

※ **NOTE** :

While searching and storing channels, no button will be operated.

When "AUTO REPAT" function is "OFF" and VCR is "STOP" mode, this function will be operated.

VIDEO HEAD CLEANING

The video heads enable the VCR to read video information pictures from the tape during playback. In the unlikely event that the heads become clogged with dirt video playback will be impossible. This can easily be determined during playback of a known good tape, there is good sound, but the picture is extremely snowy. If this is the case, have the video cassette recorder checked by qualified service personnel.

NOTES

During normal operation of the VCR, the video and audio heads can accumulate dirt over a period of time, especially when using an old or poor quality tape. When the heads are dirty, the picture can get snowy and the tracking control will have little or no effect.

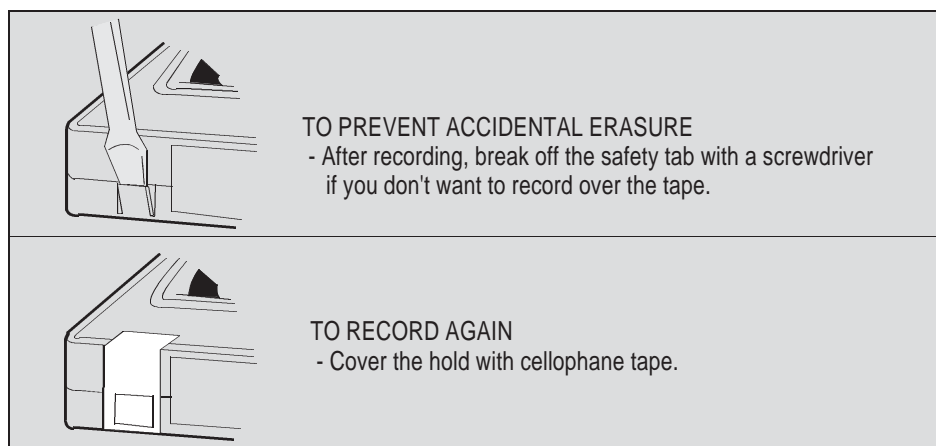
If this condition occurs, head cleaning cartridges may take care of the problem and restore normal picture.

We recommend that head cleaning cartridges be used sparingly since they are very abrasive and can damage the video heads during prolonged use.

If the problem is not resolved with the head cleaning cartridge then the unit needs to be checked by a qualified service personnel.

ERASURE PROTECTION

Video cassettes are equipped with a safety tab to prevent accidental erasure. When the tab is removed, recording can not be performed.



TROUBLE SHOOTING

Before calling service personnel, check the following points for a possible cause of the trouble. A minor adjustment on your part may eliminate the trouble.

SYMPTOMS	CAUSE	POSSIBLE SOLUTIONS
There is no power to the VCR?	<ul style="list-style-type: none"> ▪ The power cord is not connected. ▪ The polarity of power cord is not correct. 	<ul style="list-style-type: none"> ▪ Check the power cord. ▪ Change the polarity of power cord.
Noise bars on screen.	<ul style="list-style-type: none"> ▪ Tracking is not adjusted. 	<ul style="list-style-type: none"> ▪ Adjust the picture to be clear by pressing the Re-tracking.
Operation key does not work.	<ul style="list-style-type: none"> ▪ If the cassette or the VCR is not in normal condition, every indicator LED/LAMP lights up and the VCR does not work. 	<ul style="list-style-type: none"> ▪ Turn off the power and turn on the power again by pressing the POWER cord. Unplug and replug the power cord.
Cassette is ejected upon inserting	<ul style="list-style-type: none"> ▪ Safety device works to protect the cassette when it is inserted incorrectly. 	<ul style="list-style-type: none"> ▪ Pull the cassette out (unloading) and insert it firmly into the cassette compartment.
Audio output does not change to Hi-Fi mode.	<ul style="list-style-type: none"> ▪ The cassette is recorded in mono VCR. ▪ The first auto tracking is executing unit now. 	<ul style="list-style-type: none"> ▪ The cassette can not be playback in Hi-Fi mode. ▪ Wait for a second.
No backlighting at power button.	<ul style="list-style-type: none"> ▪ No 12V DC. 	<ul style="list-style-type: none"> ▪ Check circuit fuse at source of power ▪ (see vehicle/converter manual). ▪ In-line fuse of power cord (in light plug). ▪ Power cord unplugged from 12V outlet or at rear of unit.

SYMPTOMS	CAUSE	POSSIBLE SOLUTIONS
Power indicated with backlighting-unit will not operate.	<ul style="list-style-type: none"> ▪ (Unit in dew mode) Dew feature activated (see instruction manual) 	<ul style="list-style-type: none"> ▪ Retain power to recorder and allow unit for a time to get rid of moisture. (After 30 minutes if dew indicator is still on, completely switch power off from unit and resupply after a minute. This can reset dew indicator if moisture eliminated.)
	<ul style="list-style-type: none"> ▪ No tape in unit. 	<ul style="list-style-type: none"> ▪ Insert the tape.
	<ul style="list-style-type: none"> ▪ Low voltage. 	<ul style="list-style-type: none"> ▪ Start the vehicle, if not running.
Poor video/snow picture or line on screen.	<ul style="list-style-type: none"> ▪ Dirty heads. 	<ul style="list-style-type: none"> ▪ Clean head using tape cartridge cleaner.
PLAY mode indicated no audio or video to TV.	<ul style="list-style-type: none"> ▪ VCR connected to A/V Input jack, RCA patch cables set in TV mode. 	<ul style="list-style-type: none"> ▪ Switch TV to video mode with remote control or switch behind control door of TV.
	<ul style="list-style-type: none"> ▪ VCR connected to A/V output jacks. ▪ Poor connection between VCR output and TV input. ▪ Reversed A/V inputs to TV. 	<ul style="list-style-type: none"> ▪ Change connections from A/V out to A/V input. ▪ Check connection. ▪ Check connection.

SPECIFICATIONS

MODEL	PLTVCP85
POWER SUPPLY	DC 12V
POWER CONSUMPTION	13W
DIMENSION	265 X 91 X 275 (W xH x D)mm
WEIGHT APPROX	2.9Kg
VIDEO SIGNAL SYSTEM	NTSC color
TAPE TYPE	VHS Type
TAPE SPEED	SP: 33.35 mm/sec, LP: 22.23mm/sec, SLP: 11.12 mm/sec
Antenna In/Output terminnals	UHF/VHF 75 Ω F type connector.
FF/REW TIME(T-120)	Approx. 5min
VIDEO SIGNAL INPUT	Video In terminal (RCA) 1.0 Vp - p
AUDIO SIGNAL INTPUT	Audio In terminal (RCA),47K ohm
VIDEO SIGNAL OUTPUT (LINE)	1.0Vp-p, 75 ohm unbalanced, NEGATIVE SYNC
AUDIO SIGNAL OUTPUT(LINE)	-6dBm
OPERATING CONDITION HUMIDITY	80% RH (MAX). Temperature : 5 $^{\circ}$ C ~ 35 $^{\circ}$ C (41 $^{\circ}$ F ~ 95 $^{\circ}$ F)
OPERATING POWER VOLTAGE	12 ~ 14V

Desing and specifications are subjected to change without notice.

Free Manuals Download Website

<http://myh66.com>

<http://usermanuals.us>

<http://www.somanuals.com>

<http://www.4manuals.cc>

<http://www.manual-lib.com>

<http://www.404manual.com>

<http://www.luxmanual.com>

<http://aubethermostatmanual.com>

Golf course search by state

<http://golfingnear.com>

Email search by domain

<http://emailbydomain.com>

Auto manuals search

<http://auto.somanuals.com>

TV manuals search

<http://tv.somanuals.com>