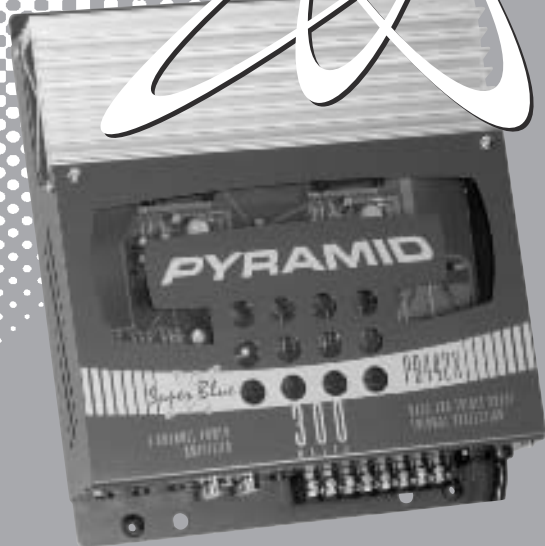


Owner's Manual

PB440X Super Blue

PB442X

Super Blue



PYRAMID

introduction

Congratulations on your purchase of a new Pyramid Super Blue amplifier. Super Blue amps are some of the most advanced car amplification products available. These quality audio products are designed and engineered to afford you years of uncompromised musical service. Pyramid has utilized the latest electronic technologies in order to deliver a superb listening experience.

The Super Blue line has been designed to ensure adequate headroom for even the most demanding peaks and dynamic ranges found on today's CD's and recordings. Used properly, these amplifiers will provide you with years of listening pleasure.

PYRAMID



PYRAMID owner's manual

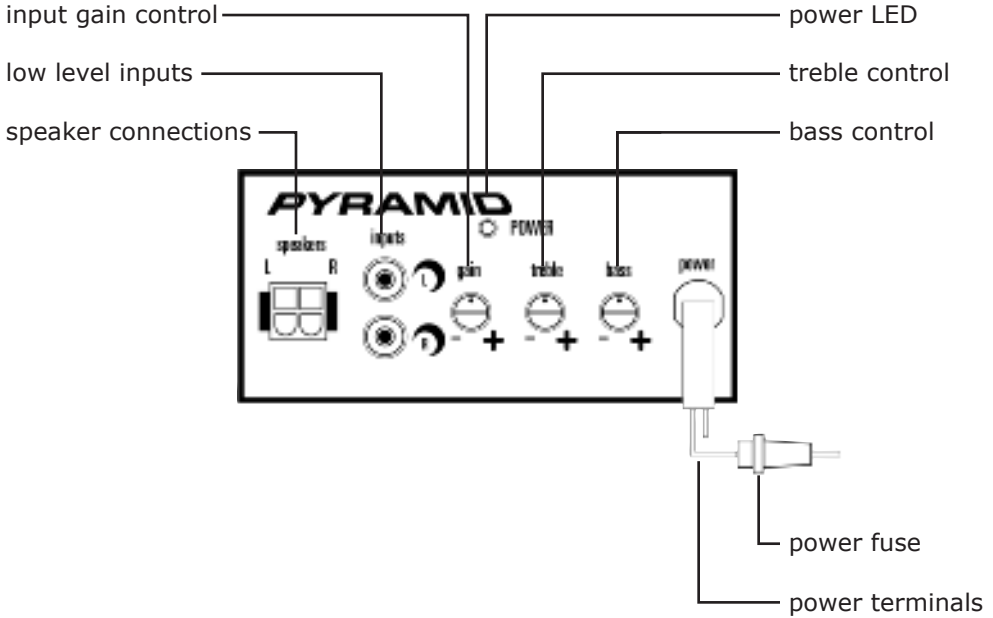
table of contents

Introduction	i
Table of Contents	1
Features and Controls, 2 ch amp PB440X	2
Features and Controls, 4 ch amp PB442X	4
Specifications	6
Electrical Connections	7
Stereo Input Connections, 2 ch amp PB440X	8
2/4 Channel Input Connections, 4 ch amp PB442X	9
Speaker Connections, 2 ch output mode (PB440X)	10
Speaker Connections, 4 ch output mode (PB442X)	11
Mounting and Installation	12
Troubleshooting	13



2 ch amp PB440X

features and controls



PYRAMID

input gain control use this control to match the outputs of your head unit to the amplifier. Starting with your head unit volume control set at about the 2 o'clock position, increase the amp gain control until distortion begins to occur, and reduce slightly from this point.

low level inputs this amp features gold-plated RCA input jacks for high impedance input. Use these with car stereo output which uses RCA-type connector cables.

speaker connections these terminals are 14K gold plated to guarantee high conductivity and minimum signal loss.

power LED this indicator is illuminated when power is applied.

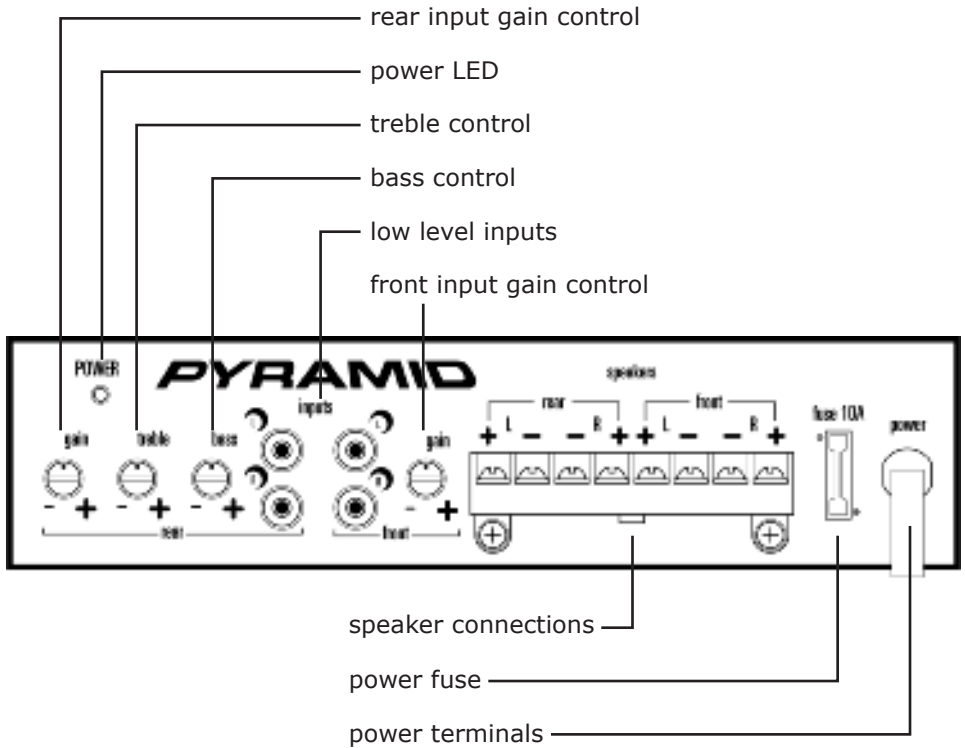
treble control use the control to adjust the treble output level to suit your taste or audio program material.

bass control use the control to adjust the bass output level to suit your taste or audio program material.

power fuse the fuse protects the amplifier and your car's electrical system from short circuit conditions.

power terminals use these connectors to deliver power, ground, and remote turn-on control to the amplifier.

features and controls



PYRAMID

input gain controls use these controls to match the outputs of your head unit(s) to the amplifier. Starting with your head unit volume control set at about the 2 o'clock position, increase the amp gain controls until distortion begins to occur, and reduce slightly from this point.

power LED this indicator is illuminated when power is applied.

treble control use the control to adjust the treble output level to suit your taste or audio program material.

bass control use the control to adjust the bass output level to suit your taste or audio program material.

low level inputs this amp features gold-plated RCA input jacks for high impedance input. Use these with car stereo output which uses RCA-type connector cables.

speaker connections these terminals are 14K gold plated to guarantee high conductivity and minimum signal loss.

power fuse the fuse protects the amplifier and your car's electrical system from short circuit conditions.

power terminals use these connectors to deliver power, ground, and remote turn-on control to the amplifier.

2 ch amp pb440 • 4 ch amp PB442X
specifications

PB440X
2 channel amplifier

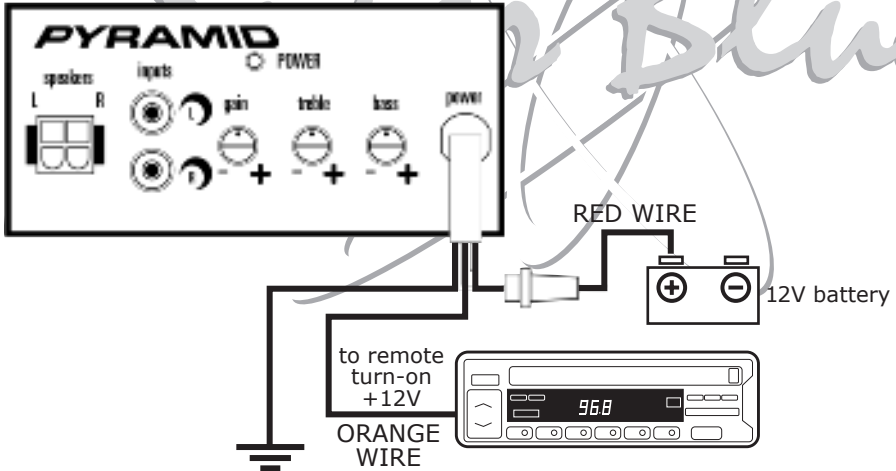
PB442X
4 channel amplifier

	PB440X	PB442X
output power @14.4 V.D.C 1 KHz		
RMS Power Output @ 4 Ohms	35 Watts x 2	35 Watts x 4
Maximum Power Output	120 Watts x 2	75 Watts x 4
bass/treble control	± 12dB	± 12dB
frequency response	15-30 KHz (±3dB)	15-30 KHz (±3dB)
input impedance	10 K-Ohms	10 K-Ohms
input sensitivity	150 mV	150 mV
power supply voltage	DC 14.4V negative ground (10.5-16V)	DC 14.4V negative ground (10.5-16V)
matching speaker impedance	4-8 Ohms	4-8 Ohms
maximum current draw	5 A	10 A
dimensions (W x H x D)		
mm	120 x 59 x 270	230 x 59 x 270
inches	4.75 x 2.32 x 10.63	9.06 x 2.32 x 10.63
net weight		
kg	1.20	2.25
lbs	2.64	4.95

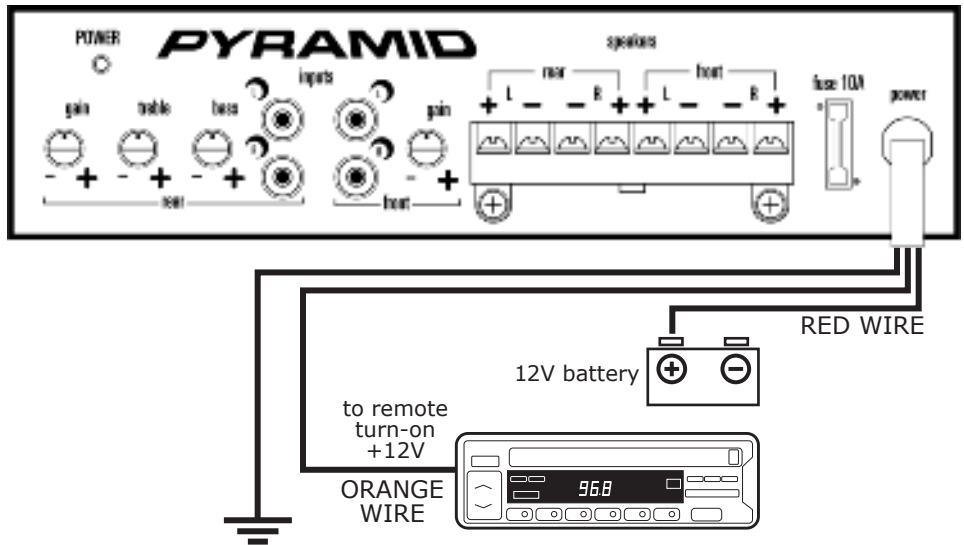
PYRAMID

2 ch amp PB440X • 4 ch amp PB442X
electrical connections

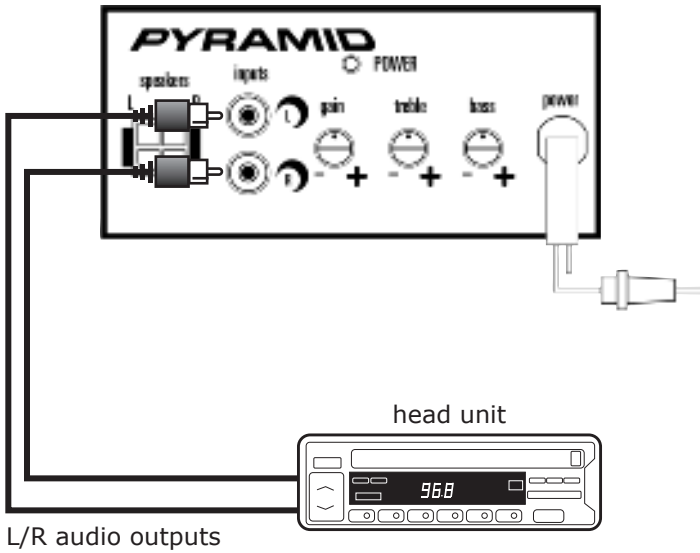
PB440X



PB442X



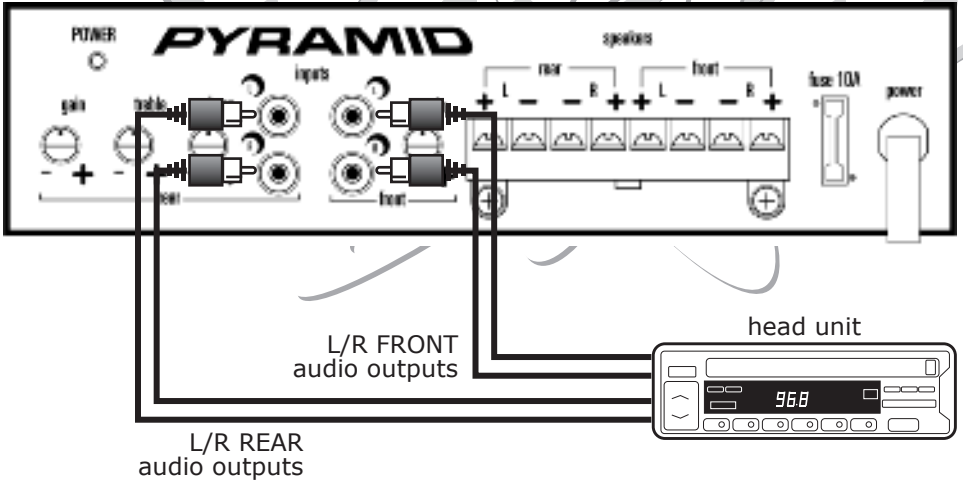
stereo input connections



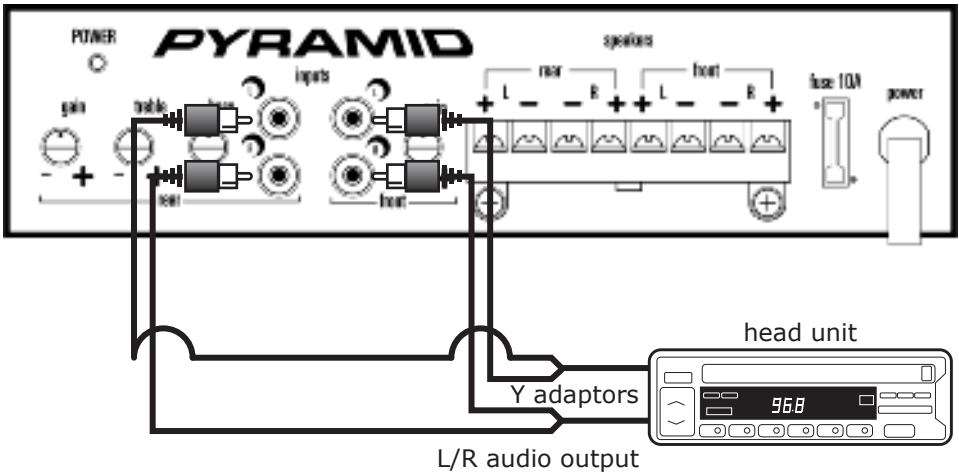
PYRAMID

2/4 channel input connections

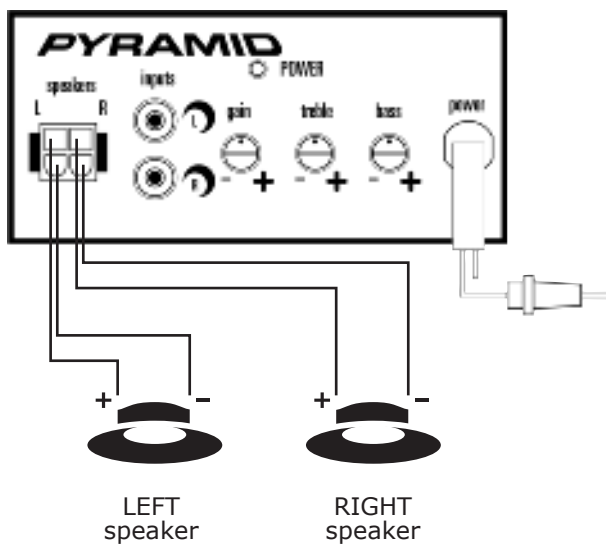
4 ch input connections



2 ch input connections



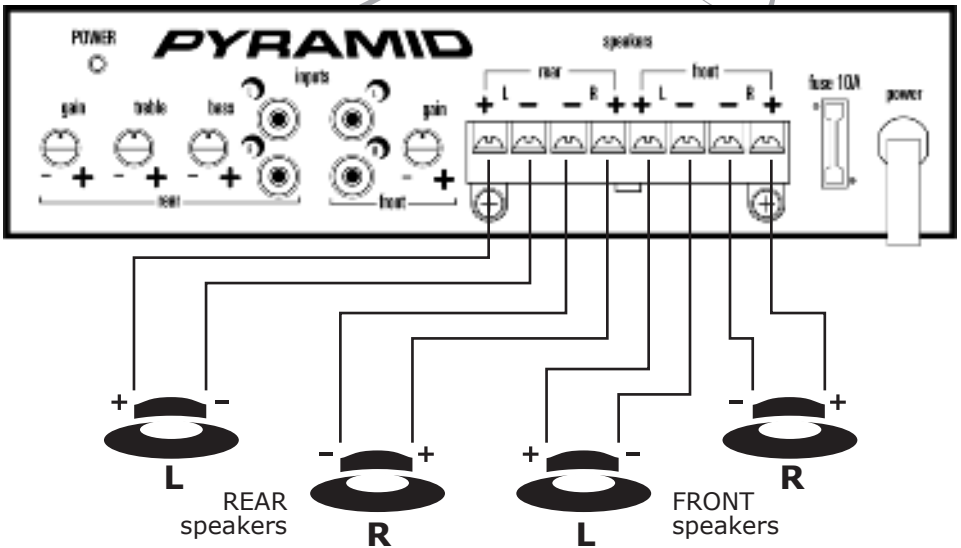
2 ch amp PB440X
speaker connections



NOTE: The PB440X is not capable of having bridged outputs. Bridging the outputs will damage your amplifier!

4 ch amp PB442X
speaker connections

Super Blue



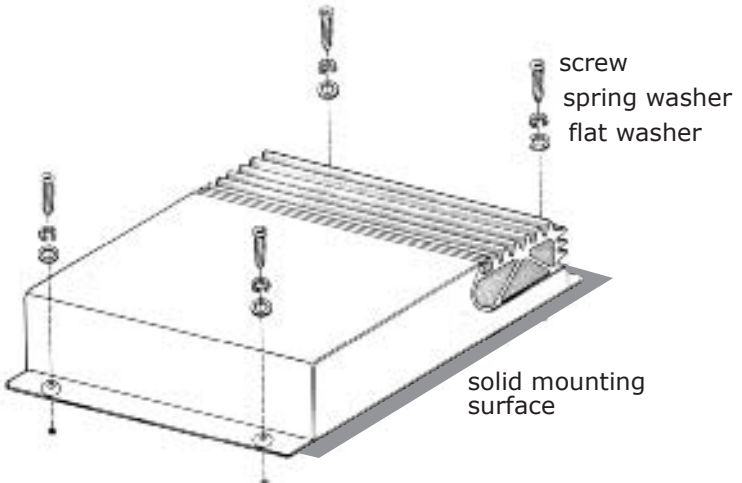
NOTE: The PB442X is not capable of having bridged outputs. Bridging the outputs will damage your amplifier!

mounting and installation

Please read the Installation Precautions section below before installing your Pyramid Super Blue amplifier, and then refer to the diagrams provided to connect power, audio input and speaker connections according to your own system configuration requirements.

Installation Precautions

- Before you drill or cut any holes, investigate your car's layout very carefully. Take care when you work near the gas tank, fuel lines, hydraulic line and electrical wiring.
- Do not operate the amplifier when it is unmounted. Attach all audio system components securely within the automobile to prevent damage, especially in an accident.
- Do not mount this amplifier so that the wire connections are unprotected or in a pinched condition, or likely to be damaged by nearby objects. Be sure to select a location inside your vehicle which has adequate ventilation.
- Before making or breaking power connections in your system, disconnect the vehicle battery. Confirm that your head unit or other equipment is turned off while connecting the input jacks and speaker terminals.
- If you need to replace the power fuse, only replace it with a fuse identical to that supplied with the system. Using a fuse of a different type or rating may result in damage to your system which isn't covered by the manufacturer's warranty.



troubleshooting

Before removing your amplifier, refer to the list below and follow the suggested procedures. Always test the speakers and their wires first.

Amplifier will not power up.

- Check for good ground connection.
- Check that remote DC terminal has at least +3v DC.
- Check that there is battery power on the + terminal.
- Check all fuses.
- Check that Protection LED is not lit. If it is lit, shut off amplifier briefly and then repower it.

High hiss or engine noise (alternator whine) in speakers.

- Disconnect all RCA inputs to the amplifier(s) – if hiss/noise disappears, then plug in the component driving the amplifier and unplug its inputs. If hiss/noise disappears, go on until the faulty/noisy component is found.

- It is best to set the amplifier's input level as insensitive as possible. The best subjective S/N ratio is obtainable this way. Try to drive as high a signal level from the head unit as possible.

Protection LED comes on when the amplifier is powered up.

- Check for shorts on speaker leads.
- Check that the volume control on the head unit is turned down low.
- Remove speaker leads, and reset the amplifier. If the Protection LED still comes on, then the amplifier is faulty.

Amplifier(s) gets very hot.

- Check that the minimum speaker impedance for that model is correct.
- Check for speaker shorts.
- Check that there is good airflow around the amplifier. In some applications, an external cooling fan may be required.

Distorted sound

- Check that the Level control(s) is set to match the signal level of the head unit.
- Check that all crossover frequencies have been properly set.
- Check for shorts on the speaker leads.

High squeal noise from speakers.

- This is almost always caused by a poorly-grounded RCA patch cord.

MANUFACTURER'S LIMITED TWO YEAR WARRANTY

PYRAMID SOUND CORP. warrants this unit to be free from defective material or workmanship and will repair or replace this unit or any part thereof if it proves defective in normal use or service within two (2) years from the date of original purchase.

Our obligation under this warranty is limited to repairing or replacing, at our discretion, the defective instrument or any part thereof when it is returned, transportation prepaid to the Pyramid Service Center at the address below. This warranty will be considered void if the unit has been tampered with, improperly serviced, subjected to abuse or misuse or if installed in a commercial vehicle. This warranty does not cover accidental damage. When returning this unit for service, please include \$10.00 for return postage and handling. Send your unit to:

**PYRAMID SERVICE CENTER
1600 63rd Street
Brooklyn, New York 11204**

IMPORTANT: Pack carefully in original carton if possible. We are not responsible for damage incurred in returning items for repair. A letter stating your exact street address, daytime phone number, and the problem you are experiencing should be included. You must also enclose a copy of the original receipt as proof of date of purchase.

FOR YOUR PROTECTION

Completely and immediately mail the Product Registration Card so that we may contact you directly in the event a safety notification is issued in accordance with the 1972 Consumer Product Safety Act, or for other reasons Pyramid may deem necessary.

TECHNICAL SUPPORT HOTLINE

Our technical department will gladly answer any questions you may have about our products. They cannot, however tell you the status of a repair, or handle other customer service situations.

1-800-934-2277

Monday through Thursday, 9AM to 5PM
Friday 9AM to 2PM Eastern.

Free Manuals Download Website

<http://myh66.com>

<http://usermanuals.us>

<http://www.somanuals.com>

<http://www.4manuals.cc>

<http://www.manual-lib.com>

<http://www.404manual.com>

<http://www.luxmanual.com>

<http://aubethermostatmanual.com>

Golf course search by state

<http://golfingnear.com>

Email search by domain

<http://emailbydomain.com>

Auto manuals search

<http://auto.somanuals.com>

TV manuals search

<http://tv.somanuals.com>