

PYRAMID[®]

HIGH PERFORMANCE CAR AUDIO



MODEL 401EP

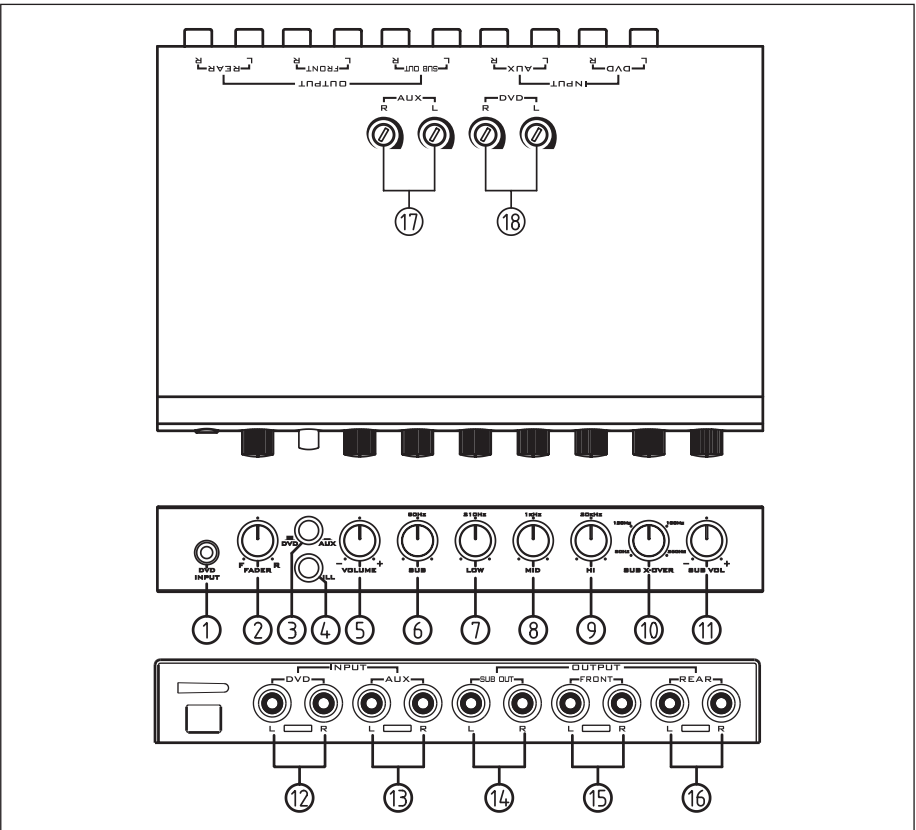
IN-DASH 4 BAND PARAMETRIC EQUALIZER

www.pyramidcaraudio.com

FEATURES:

1. 3.5MM DVD INPUT JACK
2. FADER CONTROL
3. DVD/AUX INPUT SELECTOR SWITCH
4. BI-COLOR LIGHT ILLUMINATION WITH SELECTOR
5. VOLUME CONTROL
6. SUB BAND EQUALIZER CONTROL
7. LOW BAND EQUALIZER CONTROL
8. MID BAND EQUALIZER CONTROL
9. HIGH BAND EQUALIZER CONTROL
10. SUB CROSSOVER FREQUENCY 30-250 HZ ADJUSTABLE
11. SUB OUTPUT VOLUME CONTROL
12. DVD INPUT PORT
13. AUX INPUT PORT
14. SUB OUTPUT PORT
15. FRONT OUTPUT PORT
16. REAR OUTPUT PORT
17. AUX INPUT GAIN ADJUSTMENT
18. DVD INPUT GAIN ADJUSTMENT

CONTROLS:



OPERATION:

1. 3.5MM DVD INPUT JACK

Connects to the DVD source with 3.5mm plug cable.

2. FADER CONTROL

This control adjust the volume between the front and rear speakers in a 4 speaker system.

3. DVD/AUX INPUT SELECTOR SWITCH

This switch selectors the DVD or AUX input.

4. ILLUMINATION SELECTOR SWITCH

This switch allows to select the color of light illumination.

5. VOLUME CONTROL

This control adjusts the output level.

6-9. 4 BAND PARAMETRIC EQUALIZER CONTROLS

This four-band equalizer gives you to control over the output levels at various frequency.

10. SUB CROSSOVER FREQUENCY 30-250 HZ ADJUSTABLE

Lets you adjust the subwoofer crossover frequency from 30 to 250 Hz.

11. SUB OUTPUT VOLUME CONTROL

This control adjusts output level of subwoofer RCA jack.

12. DVD INPUT PORT

Connects the RCA cable to the output of DVD player.

13. AUX INPUT PORT

Connects the RCA cable to the output of auxiliary source.

14. SUB OUTPUT PORT

Connects the RCA cable to the subwoofer channel amplifier input.

15. FRONT OUTPUT PORT

Connects the RCA cable to the front channel amplifier input.

16. REAR OUTPUT PORT

Connects the RCA cable to the rear channel amplifier input.

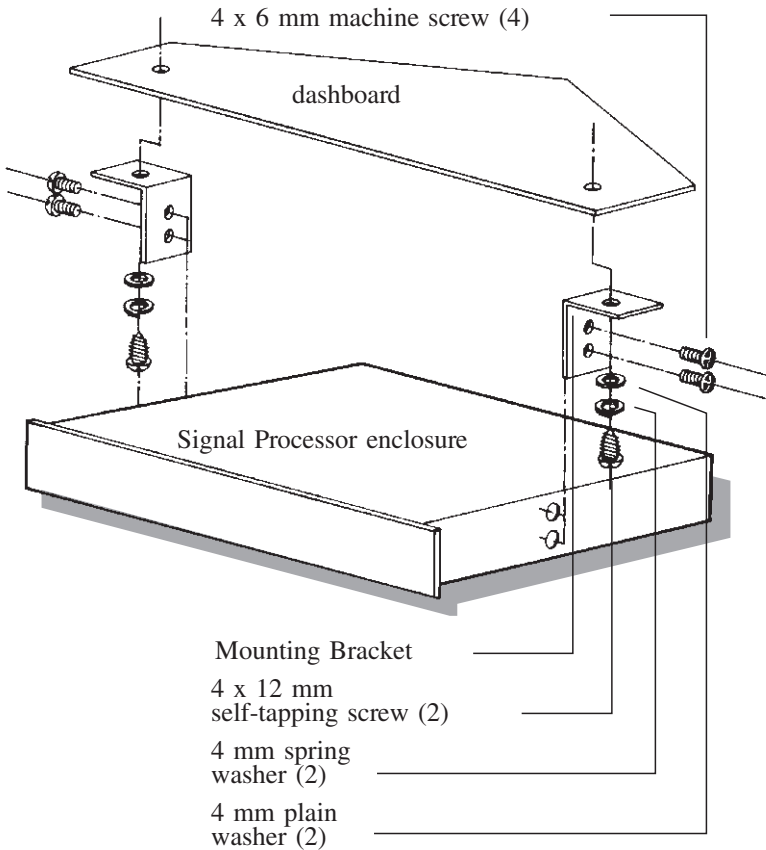
17. AUX INPUT GAIN ADJUSTMENT

Allows you to adjust the left and right channel input sensitivity level separately to match the output level for AUX source input.

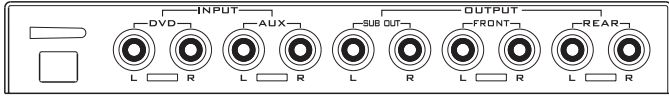
18. DVD INPUT GAIN ADJUSTMENT

Allows you to adjust the left and right channel input sensitivity level separately to match the output level for DVD source input.

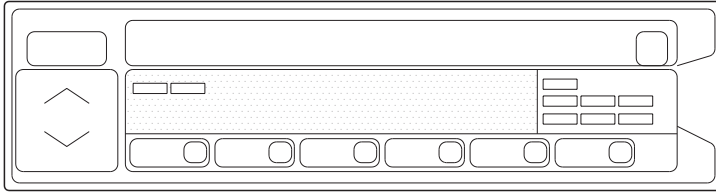
MOUNTING INSTRUCTION :



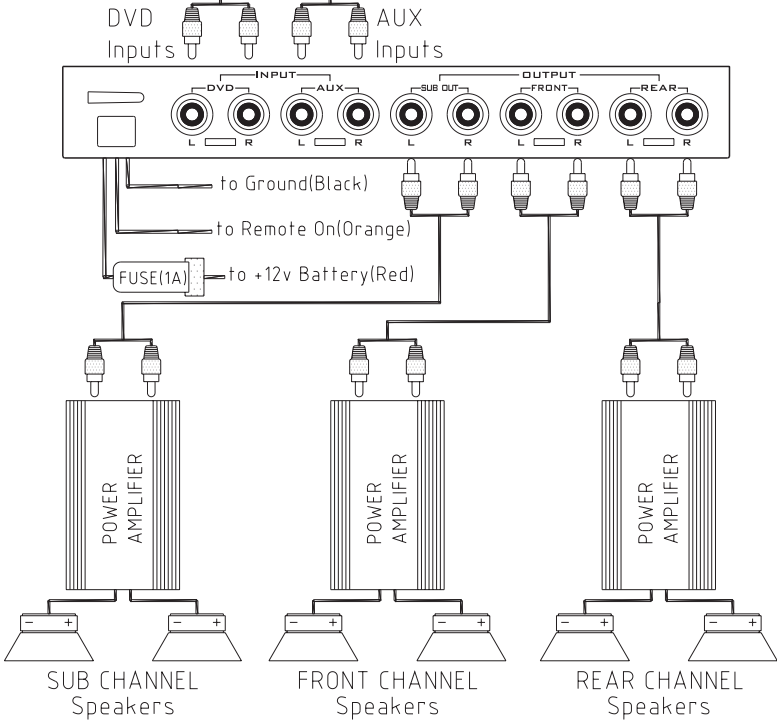
ELECTRICAL WIRING DIRECTIONS



Head unit (Stereo, DVD&CD Player, Tape Deck, etc.)



DVD Or AUX Outputs
From Head Unit



SPECIFICATIONS:

4 Band Parametric	Sub 50Hz, Low 210Hz, Mid 1KHz, Hi 20KHz
Boost/ Cut	18dB
Crossover Frequency	Continuously variable from 40 to 400 Hz
Frequency Response	20-20,000 Hz (at ± 3 dB, 400mV)
Input Level, Front/Rear (for 400 mV Output)	200mV
Total Harmonic Distortion	Less than 0.025% (at 400mV Output)
Output Impedance	1.2K Ohm
Single-to-Noise Ratio85 dB
Separation60 dB
Control Range	± 12 dB
Current Drain	200mA Maximum
Power Supply Voltage	DC, 10-16 Volt Negative Ground
Dimensions (WDH)	178 x 113 x 25 mm

NOTES

Free Manuals Download Website

<http://myh66.com>

<http://usermanuals.us>

<http://www.somanuals.com>

<http://www.4manuals.cc>

<http://www.manual-lib.com>

<http://www.404manual.com>

<http://www.luxmanual.com>

<http://aubethermostatmanual.com>

Golf course search by state

<http://golfingnear.com>

Email search by domain

<http://emailbydomain.com>

Auto manuals search

<http://auto.somanuals.com>

TV manuals search

<http://tv.somanuals.com>