

## SPECIFICATION

### GENERAL

Power requirement.....DC 12V. Negative Ground  
Current consumption.....3A MAX.  
Maximum Power Output.....75W X 2.  
Unit dimensions.....178[W] X 150[D] X 50[H] mm.

### FM SECTION

Frequency range.....88.0MHz -108.0MHz.  
Usable sensitivity.....10uV.  
I.F Frequency.....10.7MHz.

### AM(MW) SECTION

Frequency range.....530KHz - 1700KHz.

### LINE - OUT [OPTION]

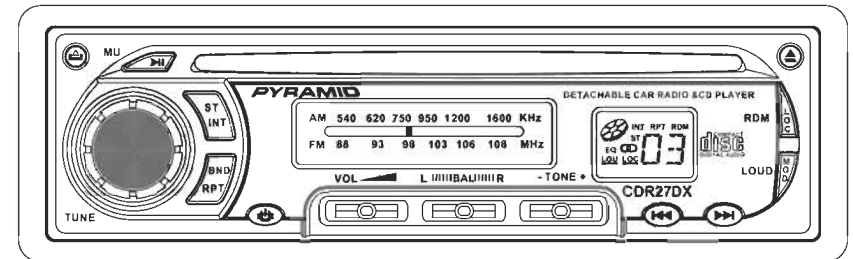
Output.....800mV @ CD MAX.  
Impedance.....10K ohm.

### CD PLAYER

System.....Compact disc audio system.  
Usable disc.....CD, CD-R, CD-RW.  
Signal format.....sampling frequency 44.1KHz.  
No. of quantization bits 1bit.  
Frequency characteristics.....40-100Hz  $\leq$  5dB  
10K-20KHz  $\leq$  5dB.  
Signal to noise ratio.....60dB [1KHz] [IEC - A net work].

# PYRAMID

## OWNER'S MANUAL



**THEFT DETERRENT DETACHABLE SYSTEM  
LCD DISPLAY COMPACT DISC PLAYER  
ANALOGUE DISPLAY AM/FM TUNING RADIO**

**MODEL: CDR27DX**

## DEAR CUSTOMER:

Thank you for your purchase of this CD player.

Selecting fine audio equipment such as the unit you have just purchased is only the start of your musical enjoyment. Now it is time to consider how you can maximize the fun and excitement your equipment offers.

We hope you get the most out of your equipment by playing it at a safe level.

One that lets the sound come through loud and clear without annoying blare or distortion, and, more important, without affecting your sensitive hearing.

Sound can be misled. Over time your hearing "comfort level" adapts to higher volumes of sound.

So what sounds "normal" can actually be loud and harmful to your hearing.

Guard against this by setting your equipment at a safe level BEFORE your hearing adapts.

- To establish a safe level:

Start your volume control at the lowest setting, then slowly increase the sound until you can hear it comfortably and clearly, and without distortion we want you listening for a lifetime.

- Once you have established a comfortable sound level:

Set the dial and leave it there.

Taking a minute to do this now will help to prevent hearing damage or loss in the future. After all, we want you listening for a lifetime.

- ABOUT THIS MANUAL

This product features a number of sophisticated functions ensuring superior reception and operation. All are designed for the easiest possible use, but many are not self-explanatory.

This operation manual is intended to help you benefit fully from their potential and to maximize your listening enjoyment.

- We recommend that you familiarize yourself with the functions and their operation by reading through the manual before you begin using this product. In this operation manual, the Basic Operation for each sound source is outlined at the beginning of its explanation, covering simple operation for that source, such as merely playing music.

### PRECAUTION OF DISC PLAY:

Cleaning the CD:

Before playing a CD, wipe it off with a clean, dust-free cleaning cloth. Wipe the disc in the direction of the arrow.

Always insert the CD with the label side facing upwards.

If the CD is inserted with the printed side facing downwards, the device may be damaged.

Note: If there is already a CD in the CD slot, do not try to insert a second CD. For this may damage the device.

Always hold CDs by the edge. In order to keep the CD clean do not touch the surface. Pull out the CD as the direction of follows. Do not attach any sticker or adhesive tape on the CD.

Do not expose the CD to direct sunlight or sources of heat such as heating pipes.

Do not leave CDs in a car if it parked in direct sunlight as that will lead to a considerable rise in the temperature inside the car.

Note: Do not use any solvents such as petrol or thinning agents.

Commercially available cleaning substances or antistatic spray will damage the device.



## TROUBLE SHOOTING

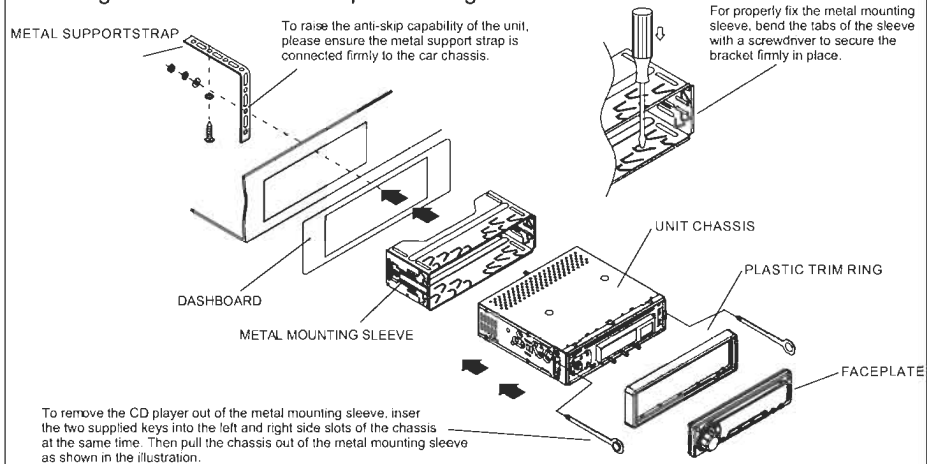
Before using the check list please make all the connections first.

If you still have questions after going through the checklist, please consult your local customer service representative.

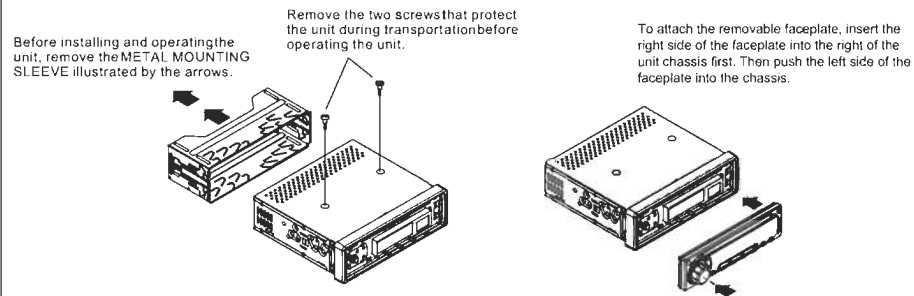
PROBLEM	CAUSE	SOLUTION
No power	The car ignition is not on.	If the power supply is properly connected to the car, switch the ignition key to "ACC"
	The fuse is blown	Replace the fuse
Disc cannot be loaded or ejected	Another CD is present in the player	Remove CD in the player, then insert a new one with label face up
	Disc incorrectly inserted upside-down	Insert the CD with label face up
	CD is extremely dirty or defective	Clean the CD or try a different CD
	Temperature inside the car is too high	Cool off until the ambient temperature returns to normal
No sound	Condensation	Turn off the player for at least an hour, then try again.
	Volume is too low	Adjust volume to a desired level
Sound skips	Wiring is not properly connected	Check wiring connection
	The installation angle is more than 30 degrees	Adjust the installation angle to less than 30 degrees
The radio does not work	CD is extremely dirty or defective	Clean the CD or try a different CD
	The antenna cable is not connected	Insert the antenna cable firmly

## INSTALLATION METHOD

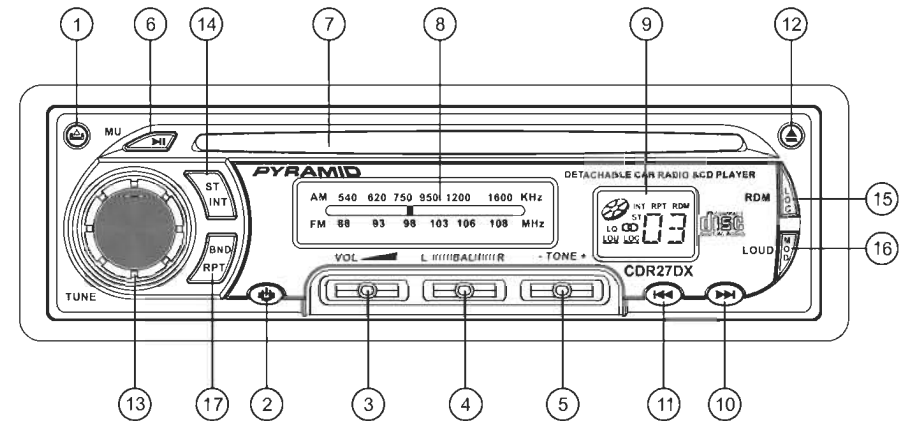
This is an anti-theft installation method.  
The main unit wears a METAL MOUNTING SLEEVE.  
Please connect the wiring, eg, the Power Supply, the Speakers and the Antenna according to the requirements of this Instruction Manual, then install the metal mounting sleeve into the car as per the diagram illustrated below.



## NOTE




## LOCATION AND FUNCTION OF CONTROL



### 1. RELEASE BUTTON

To remove the front control panel out of the main unit for safekeeping, press this button, it will eject from the main unit.

### 2. POWER BUTTON

Turn the power supply on or off by pressing the  button briefly.

### 3. VOLUME CONTROL

Slide this knob left or right to decrease or increase the volume level to the appropriate listening level.

### 4. BALANCE CONTROL

Slide this knob left or right to adjust the left / right speaker balance.

### 5. TONE CONTROL

Slide this knob left or right to adjust the tone effect.

### 6. MU/next BUTTON

In RADIO mode, press the MU/next button briefly to suppress the loudspeaker; press again to resume listening.  
In CD playback state, press the MU/next button briefly to interrupt the playback of the CD; press again to resume normal playback.

### 7. CD SLOT

### 8. FREQUENCY ANALOGUE DIAL

### 9. LCD DISPLAY

## 10. SKIP TRACK UP/ FAST REVERSE BUTTON

In CD playback state, press the ►► button briefly to play the next track. Press and hold the ►► button to fast forward, the CD playback stats when release the button.

## 11. SKIP TRACK DN / FAST REVERSE BUTTON

In CD playback state, press the ◀◀ button briefly to play the previous track. Press and hold the ◀◀ button to fast reverse, the CD playback starts when release the button.

## 12. CD EJECT BUTTON

In power supply on state, the loaded CD can be ejected by pressing the ▲ button. ( NOTE: When the LCD display still display CD playback logo after ejecting a disc, and it may occur incapable load CD, then you can press the ▲ button to resume normal.)

## 13. TUNING CONTROL

In RADIO mode, rotate this tuning knob to set the dial pointer against the station frequency as desired within FM/AM.

## 14. ST/INT BUTTON

ST/MON MODE: (This operation is effective on FM reception only.)  
In RADIO mode, press this button briefly to change between mono and stereo modes. The character ST will be visible on the display while there is a strong signal from an FM station that is broadcasting in stereo. Mono improves the reception of the distant stereo FM stations.

INT MODE:  
In CD playback state, press this button briefly to play the first 10 seconds of each track on the current disc. The character INT appears on the display. Press again to exit the INT mode and resume CD playback when you locate your desired track.

## 15. LOC/RDM BUTTON

LOCAL /DISTANT MODE: ( This operation is effective on FM reception only.)  
In RADIO mode, press this button briefly to change between local and distant reception. Pressing this button briefly will improve reception in some areas where the signal is too strong. The character LOC will appears on the display indicating you are in the local reception mode. press again to release it to improve distant reception when you are located in an area with a weak signal. Use of this button toggles between local and distant FM reception.

RDM MODE:  
IN CD playback state, press this button briefly for random playback mode. The character RDM appears on the LCD display, then press the ►► button to play the entire track on the current disc in random order, press again to cancel this RDM playback mode.

## 16. MODE/LOUD BUTTON

MODE BUTTON:

- (1) When there is a disc in the CD compartment, press this button briefly to change between CD and RADIO mode each other. The LCD display will appears radio reception status when you change it to radio mode; The LCD display will appears CD playback status when you change it to CD mode.
- (2) When there is no a disc in the CD compartment, this button has not the function of mode changing.

LOUD BUTTON:

Press this button briefly to enhance the bass output while the volume level is low. The character LUD will be visible on the display. Press again to cancel loudness effect.

## 17. BAND/RPT BUTTON

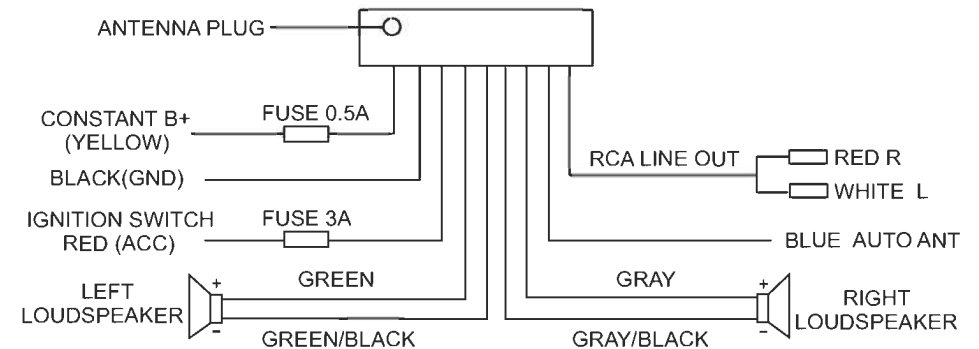
BAND BUTTON:

In RADIO mode, press this button briefly to change between AM and FM. The corresponding character of band which has been selected will appear on the display.

RPT MODE:

In CD playback state, press this button to repeat play the current track. The character RPT will be visible on the display. Press again to stop repeat.

## WIRING DIAGRAM



Note:

If you have 2 speakers system, use 4 ohm impedance loudspeaker;  
If you have 4 speakers system, use 8 ohm impedance loudspeaker  
to reduce the distortion during high volume level.

## Free Manuals Download Website

<http://myh66.com>

<http://usermanuals.us>

<http://www.somanuals.com>

<http://www.4manuals.cc>

<http://www.manual-lib.com>

<http://www.404manual.com>

<http://www.luxmanual.com>

<http://aubethermostatmanual.com>

Golf course search by state

<http://golfingnear.com>

Email search by domain

<http://emailbydomain.com>

Auto manuals search

<http://auto.somanuals.com>

TV manuals search

<http://tv.somanuals.com>