

REMOTE CONTROL BASICS BATTERY REPLACEMENT:

- 1.Remove the battery holder as the direction indicated by the arrow.
- 2.Replace the battery Set a new battery property with (+)side up as illustrated.
- 3.Insert the battery holder. Push in the holder to the original position.

NOTE ON BATTERIES:

Old batteries must immediately be removed and disposed.

BATTERY INFORMATION:

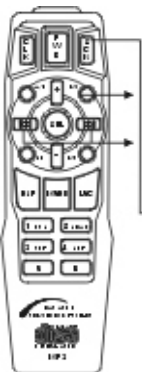
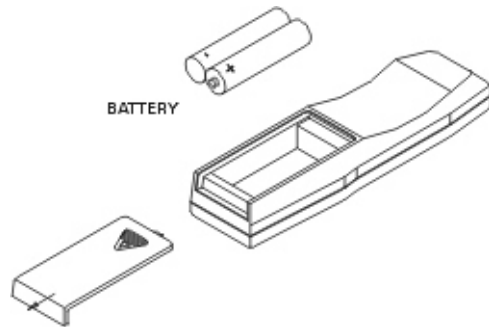
Designated Battery: UM-4"AAA"/R05

Battery Life: 6 months with normal use (in normal room temper atur)

CAUTION:

Improper use of batteries may cause overheating, explosion or ignition. Resulting in jury or fire .Battery leakage may cause damage to the unit.

Do not disassemble or short the batteries. Do not throw the batteries into the fire. To avoid the risk of accident, keep the batteries out of reach of children.



MO/ST BUTTON: Press it to select MONO or STEREO sound mode.

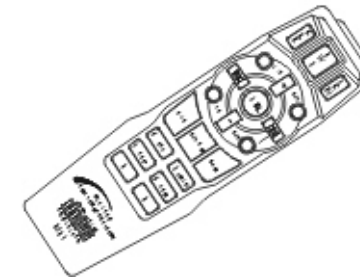
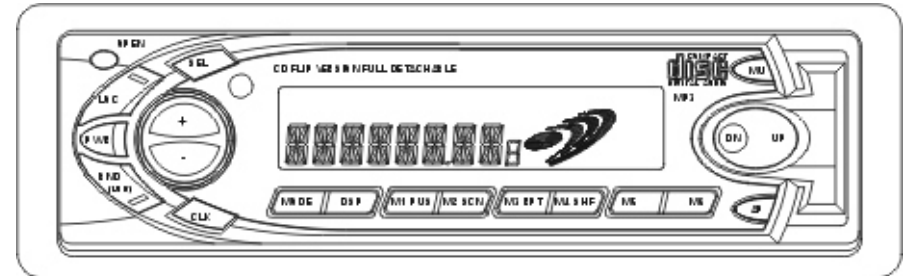
TUNE/SEEK OR TRACK/SKIP AND TIME ADJUST BUTTONS: Same as the UP and DN buttons in front panel.

SCAN BUTTON: Press it to scan up by one channel step with station detection. If a valid signal has detected, the current frequency is blinked within 5 seconds, then press it again to stop scan and remain the current frequency; otherwise, the unit continue to scan up by one channel step with station detection 5 seconds later.

PYRAMID

MODEL: CDR83MP

INSTRUCTION MANUAL



160WATTS

**ANTI-THEFT FLIP DOWN DETACHABLE PANEL
AUTO-LOADING CD/MP3 PLAYER
AM/FM STEREO WITH DIGITAL TUNING RADIO
WITH REMOTE CONTROLLER**

[WWW.pyramidcaraudio.com](http://www.pyramidcaraudio.com)

DEAR CUSTOMER

Selecting fine audio equipment such as the unit you have just purchased is only the start of your musical enjoyment. Now it is time to consider how you can maximize the fun and excitement your equipment offers.

We want you to get the most out of your equipment by playing it at a safe level. One that lets the sound come through loud and clear without annoying blaring or distortion - and, most importantly, without affecting your sensitive hearing. Sound can be deceiving. Over time your hearing "comfort level" adapts to higher volumes of sound. So what sounds "normal" can actually be loud and harmful to your hearing. Guard against this by setting your equipment at a safe level **BEFORE** your hearing adapts.

To establish a safe level:

- . Start your volume control at a low setting
- . Slowly increase the sound until you can hear it comfortably and clearly, and without distortion we want you listening for a lifetime.

Once you have established a comfortable sound level:

- . Set the dial and leave it there.

Taking a minute to do this now will help to prevent hearing damage or loss in the future. After all, we want you listening for a lifetime.

ABOUT THIS MANUAL

This product features a number of sophisticated functions ensuring superior reception and operation. All are designed for the easiest possible use, but many are not self-explanatory. This operation manual is intended to help you benefit fully from their potential and to maximize your listening enjoyment.

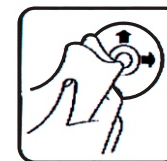
We recommend that you familiarize yourself with the functions and their operation by reading through the manual before you begin using this product. It is especially important that you read and observe the "precaution" on the next page and in other sections.

In this operation manual, the Basic Operation for each sound source is outlined at the beginning of its explanation, covering simple operation for that source, such as merely playing music.

DISC PLAY:

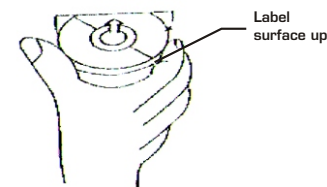
Cleaning discs

Before playing, clean the disc with a clean, lint-free cloth.
Wipe the disc in the direction of the arrow.



NOTE:

- . Do not use so solvents such as benzene, thinners. Commercially available cleaners or anti static spray damage the unit.
- Insert a disc with the label surface down. Doing so may damage the unit.



NOTE:

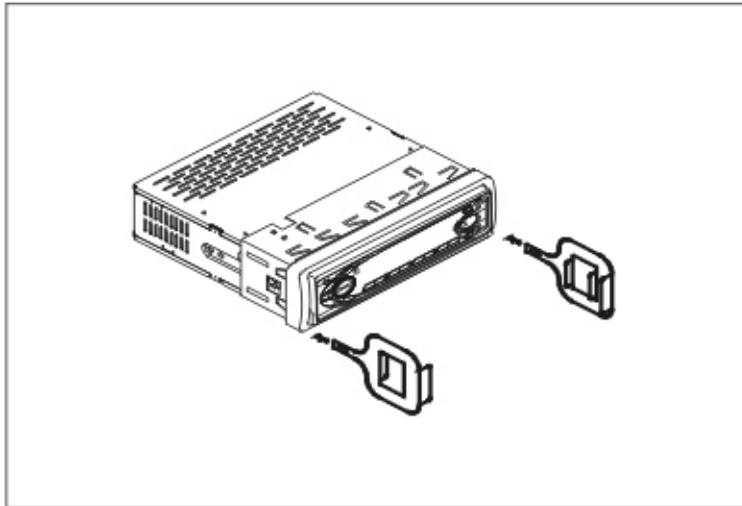
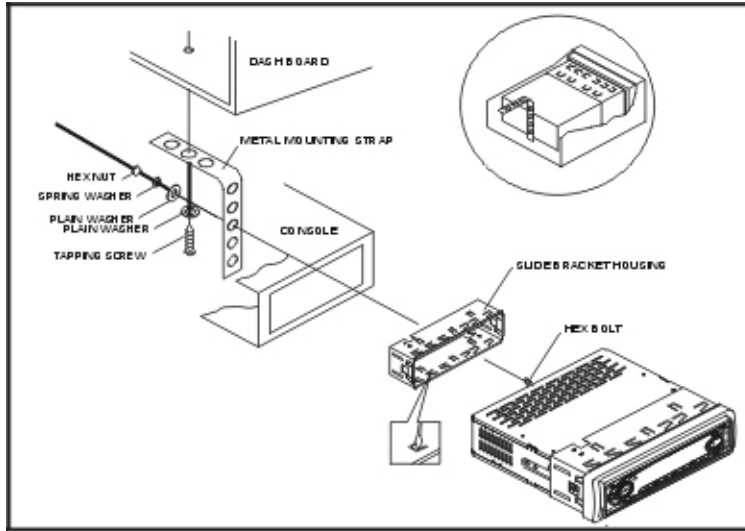
- . Do not try to insert another disc when one has been already inserted. Doing so may damage the unit.
- .Handle the disc by its edge. And to keep the disc clean, do not touch the surface.



.Do not stick paper or tape on the disc.

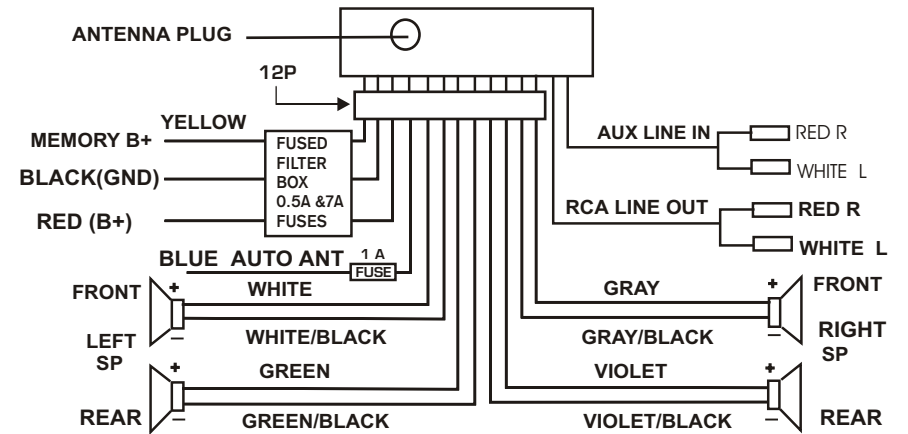
.Do not expose the disc to direct sunlight or heat sources such as hot air ducts. Or leave it in a car parked in direct sunlight where there can be a considerable rise in temperature.

INSTALLATION



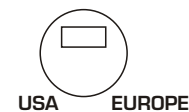
If you want to take CHASSIS out of the SLIDE BRACKET HOUSING, remove the PLASTIC OUTLINE away, then insert the two KEY PLATE into left and right side of chassis as the above illustration.

SPEAKER CONNECTION



NOTE:

1. In spite of having any kinds of speaker system, must use 4 ohms impedance of speaker to reduce the distortion during high volume level.
2. Prohibit to make the conductors of auto antenna and ground touch with each other.

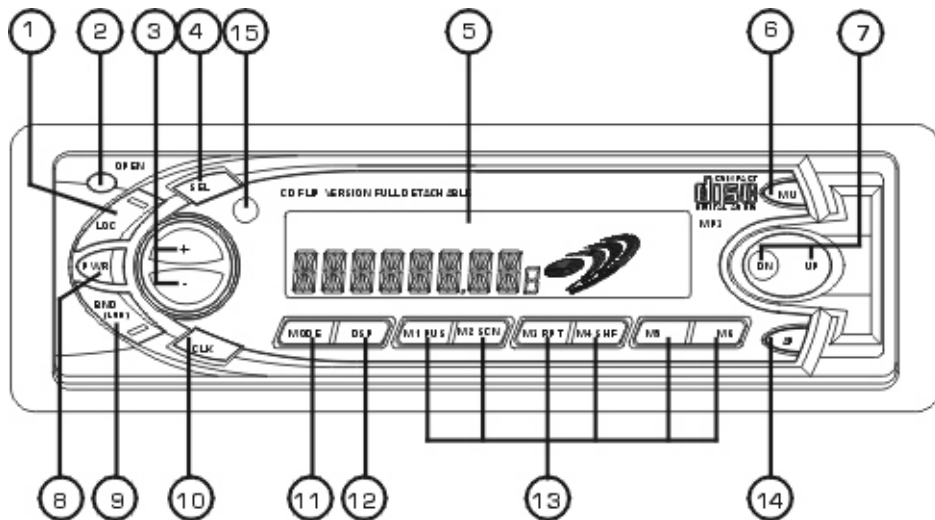


IMPORTANT:

This radio is set to USA frequency by factory, if European frequency is required please flip the frequency step switch on the side of the unit.

After the switchover of the frequency switch, the frequency convert function will not be valid until the RESET button has been pressed. (The RESET button is in the rear facet of the front panel)

LOCATION AND FUNCTION OF CONTROLS



1. LOC BUTTON

Press it for distance reception when you are located at the stronger signal location. Depress it for weak signal.

2. OPEN BUTTON

Press it to flip down the front panel then insert disc into disc slot or press EJECT button to eject out disc or take away the front panel.

3.4. SEL(AUDIO MODE SELECT)/VOLUME +/- BUTTONS

Press SEL button to change the mode in the sequence of



- 1) The volume level can be adjusted at any time by pressing the audio level+ or Button as select mode has been initially defaulted at volume mode.
- 2) The volume level is also obtained by stepping through the SEL button until the function VOL is displayed and then press + or - button to adjust the sound level.
- 3) Press and hold the + or - button to adjust the sound level.

BASS CONTROL

- 1) Press the SEL button to select the bass mode until BAS appears on the display.
- 2) Press + or - to adjust the bass effect.

TREBLE CONTROL

- 1) Press the SEL button to select the treble mode until TRE appears on the display.
- 2) Press + or - to adjust the treble effect.

BALANCE CONTROL

- 1) Press the SEL button to select the balance mode until BAL appears on the display.

SPECIFICATION

GENERAL

Power requirement.....DC 13.8V.
 Current consumption.....7A MAX.
 POWER OUTPUT.....4 X 40W

FM SECTION

Frequency range.....87.5MHz -108.0MHz(EUROPE)
 Frequency range.....87.5MHz -107.9MHz(USA)
 Usable sensitivity.....3uV.
 I.F Frequency.....10.7MHz.

AM SECTION

Frequency range.....522KHz - 1620KHz(EUROPE)
 Frequency range.....530KHz - 1710KHz(USA)
 I.F Frequency.....450KHz
 Usable Sensitivity.....29dB

LINE - OUT [OPTION]

Output.....300mV @ FM 10% THD POWER.

CD PLAYER

System.....compact disc audio system.
 Usable disc.....compact disc/mp3 disc
 No of quantization bits 1bit.
 Signal format.....sampling frequency 44.1KHz.

Frequency characteristics.....5-40Hz ≤ 5dB
 10K-20KHz ≤ 5dB.

Signal to noise ratio.....70dB [1KHz]

Number of channels.....2 STEREO.

Chassis dimensions.....178[W] X 50[H] X 150[D].

TROUBLE SHOOTING

Go through the check list if you are in trouble during operation. If any problem persist after going through the check list, consult your nearest service dealer.

Symptom	Cause	Solution
No power	The car ignition is not on.	If the power supply is properly connected to the car accessory switch the ignition key to " ACC "
	The fuse is blown	Replace the fuse
Disc cannot be loaded or ejected	Presence of CD disc inside the player	Remove the disc in the player then put a new upward
	Inserting the disc in upside down	Insert the compact disc with the label facing upward
	Compact disc is extremely dirty or defective	Clean the disc or try to play a new one
	Temperature inside the car is too high	Cool off until the ambient temperature returns to normal
No sound	Condensation	Leave the player off for an hour or so, then try again
	Volume is in minimum	Adjust volume to a desired level
The operation keys do not work	Wiring is not properly connected	Check wiring connection
	The built-in microcomputer is not operating properly due to noise	Press the RESET button front panel is not properly fix into its place
Sound skips	The installation angle is more than 30 degrees	Adjust the installation angle to less than 30 degrees
	The disc is extremely dirty or defective	Clean the compact disc/try to play a new one
The radio does not work the radio station automatic selection does not work	The antenna cable is not connected the signals are too weak	Insert the antenna cable firmly select a station manually

2) Press the + button or - button to increase or decrease the sound level of left or right speaker.

FADER CONTROL

1) Press the SEL button to select the fader mode until FAD appears on the display.

2) Press the + button or - button to increase or decrease the sound level of front or rear speaker.

5. LCD (LIQUID CRYSTAL DISPLAY)

6. MUTE BUTTON

Press it to eliminate the sound immediately.

7. TUNE SEEK UP/DOWN, TRACK UP/DOWN BUTTONS

During RADIO mode, press UP or DN button to seek up or down for the desired station. Press UP or DN button hold for more than 2 seconds to scan up or down for the stronger station.

During CD mode, Press the UP or DN button to allow you to track forward or backward. Press UP or DN button hold to skip forward or backward.

8. POWER BUTTON

Press the button to turn on or off the unit.

9. BAND/LOUD BUTTON

Press it to select your desired radio band and word which band is selected will be displayed on LCD.

Press it hold for more than 2 seconds to enhance the bass sound effect.

10. CLOCK ADJUSTMENT BUTTON

During frequency display, press it to change to clock display function.

Press the button for more than 2 seconds, until time flashes, then press UP or DN button to adjust hour or minute.

11. MODE BUTTON

Press it repeatedly to select CDP, AUX and RADIO mode in sequence and circulation.

12. DSP BUTTON

Press it to switch between 4 preset equalizer curves: FLAT, CLASSIC, POP and ROCK, and the sound quality will be changed.

13. PRESET STATION [1-6] /1PUS, 2SCN, 3RPT, 4SHF.

A). To memorize the current frequency, press any one of the six preset buttons hold for more than 2 seconds.

B). To recall the preset memory, press one of the preset button [1-6].

C). In CDP mode, press 1PUS button to pause CDP playing, press it again to resume CDP playing.

D).In CDP mode, press 2SCN button to play the first 10 seconds part of each song, press it again to stop scanning and retain playing the song currently selected.

E).In CDP mode, press 3RPT button to play the current track repeatedly. Press it again or eject the disc to cancel this mode.

F).In CDP mode, press 4SHF button to play the track in random order. Press it again or eject the disc to cancel this mode.

14. AS/PS BUTTON

In radio mode:

When short pressing, the radio searches for each preset station. When the field strength level is more than the threshold level of stop level, the radio is holding at that preset number for few seconds with releasing mute, and then searches again. In FM band, FM 1, FM 2 and FM 3 is checked one at a time.

When long pressing (more than 1 second), the radio searches from the current frequency and checks the signal strength level until 1 cycle search is finished. And then 6 strongest stations are preset to the corresponding preset number. The AS operation is implemented in the each band of selected band. When the AS operation is finished, the radio executes the preset scan.

In CD mode, when pressed, it is activated as selecting each mode of Digital Audio.

"Searching track directly" => "Searching File or directory"
=> "Searching File Name"

1). "Searching track directly" in Digital Audio CD and Normal CD.

The unit searches the track selected by following key.

M1~M6, /RADIO SCAN1/DSP(SOUND)/MUTE /CLOCK(or MODE).

2). "Searching File or directory" by file directory structure in Digital Audio CD.

The unit searches file or directory" in file directory structure by "SEEK UP/DN" key.

The selected file can be played by pushing "BAND(ENTER)key.

3). "Searching File Name" in Digital Audio CD.

The unit searches files and directories which have the same character which is inputted by the user. The unit shows these sorted files and directories by "SEEK UP/DN" key.

The selected file can be played by pushing "BAND(ENTER) key.

* * KEY Assigned IN Searching mode

AS/PS	Mode select
BAND	Enter
M1	A, B, C, 1
M2	D, E, F, 2
M3	G, H, I, 3
M4	J, K, L, 4
M5	M, N, O, 5 / 10 TRACK DOWN
M6	P, Q, R, 6 / 10 TRACK UP
DSP(SOUND)	V, W, X, 8
MUTE	Y, Z, SPACE, 9
CLOCK	, -, +, 0
MODE	S, T, U, 7
VOL SEL	CHAR. SHIFT
VOL UP/DOWN	CHAR. SEL(A, B~ 8,9,0)

M5 and M6 is assigned as 10 TRACK when normal play and Searching File or directory

15. INFRARED REMOTE RECEIVING WINDOW

Free Manuals Download Website

<http://myh66.com>

<http://usermanuals.us>

<http://www.somanuals.com>

<http://www.4manuals.cc>

<http://www.manual-lib.com>

<http://www.404manual.com>

<http://www.luxmanual.com>

<http://aubethermostatmanual.com>

Golf course search by state

<http://golfingnear.com>

Email search by domain

<http://emailbydomain.com>

Auto manuals search

<http://auto.somanuals.com>

TV manuals search

<http://tv.somanuals.com>