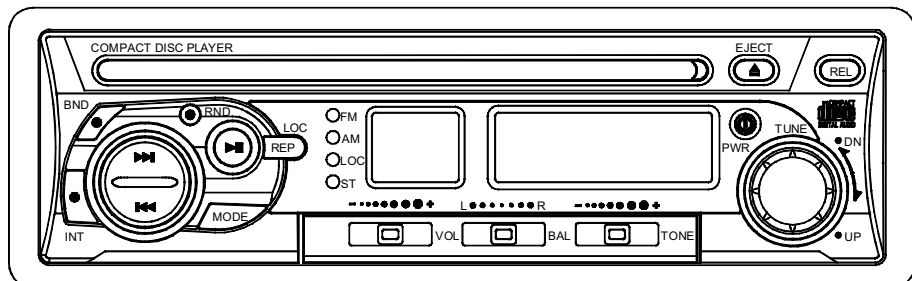


PYRAMID

CDR40DX

OWNER'S MANUAL



**MANUALLY TUNED STEREO RADIO
WITH COMPACT DISC PLAYER**

www.pyramidcaraudio.com

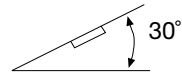
CONTENTS

Installation	3
DIN Front-Mount (Method A)	3
Installing the unit	3
Removing the unit	4
DIN Rear-Mount (Method B)	4
How To Remove And Install The Front Panel	5
Wiring Connection	6
Operation	7
General Operation	7
Radio Operation.....	8
CD Operation	9
Specification.....	10
Trouble Shooting	11

INSTALLATION

Notes:

- Choose the mounting location where the unit will not interfere with the normal driving function of the driver.
- Before finally installing the unit, connect the wiring temporarily and make sure it is all connected up properly and the unit and the system work properly.
- Use only the parts included with the unit to ensure proper installation. The use of unauthorized parts can cause malfunctions.
- Consult with your nearest dealer if installation requires the drilling of holes or other modifications of the vehicle.
- Install the unit where it does not get in the driver's way and cannot injure the passenger if there is a sudden stop, like an emergency stop.
- If installation angle exceeds 30° from horizontal, the unit might not give its optimum performance.



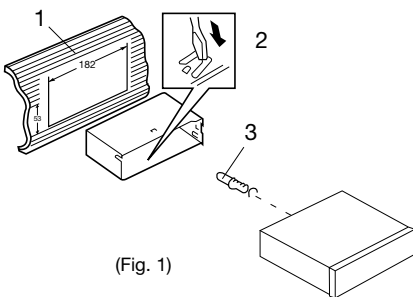
- Avoid installing the unit where it would be subject to high temperature, such as from direct sunlight, or from hot air, from the heater, or where it would be subject to dust, dirt or excessive vibration.

DIN FRONT/REAR-MOUNT

This unit can be properly installed either from “Front” (conventional DIN Front-mount) or “Rear” (DIN Rear-mount installation, utilizing threaded screw holes at the sides of the unit chassis). For details, refer to the following illustrated installation methods.

DIN FRONT-MOUNT (Method A)

Installing the unit



(Fig. 1)

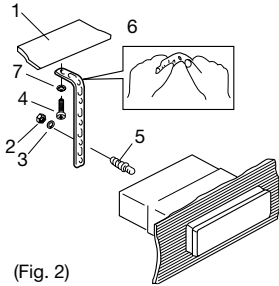
1. Dashboard

2. Holder

After inserting the holder into the dashboard, select the appropriate tab according to the thickness of the dashboard material and bend them inwards to secure the holder in place.

3. Screw

INSTALLATION



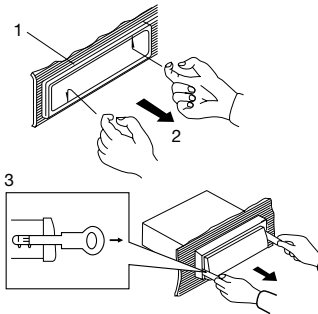
(Fig. 2)

1. Dashboard
2. Nut (5mm)
3. Spring washer
4. Screw (5 x 25mm)
5. Screw
6. Strap
7. Plain washer

Be sure to use the strap to secure the back of the unit in place. The strap can be bent by hand to the desired angle.

Removing the unit

1. Frame
2. Insert fingers into the groove in the front of frame and pull out to remove the frame. (When reattaching the frame, point the side with a groove downwards and attach it.)
3. Lever
Insert the levers supplied with the unit into the grooves at both sides of the unit as shown in figure until they click. Pulling the levers makes it possible to remove the unit from the dashboard.



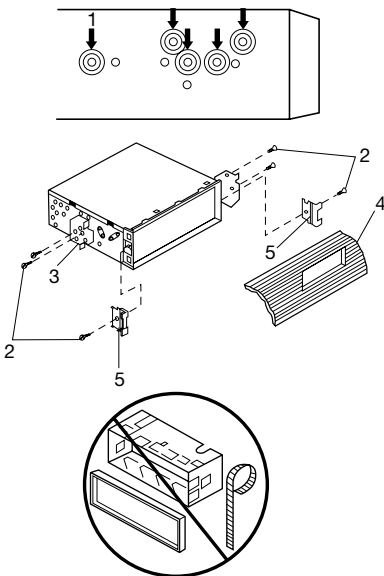
DIN REAR-MOUNT (Method B)

Installation using the screw holes on the sides of the unit.

Fastening the unit to the factory radio mounting bracket.

1. Select a position where the screw holes of the bracket and the screw holes of the main unit become aligned (are fitted), and tighten the screws at 2 places on each side.
Use either truss screws (5 x 5mm) or flush surface screws (4 x 5mm), depending on the shape of the screw holes in the bracket.
2. Screw
3. Factory radio mounting bracket
4. Dashboard or Console
5. Hook (Remove this part)

Note: The mounting box, outer trim ring, and half-sleeve are not used for method B installation.

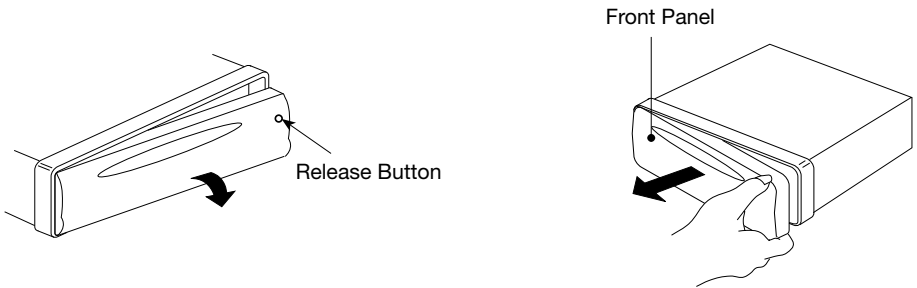


INSTALLATION

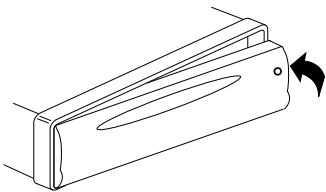
HOW TO REMOVE AND INSTALL THE FRONT PANEL

1. Press the release button and pull-off the front panel.
Keep the front panel into the case.
2. To install the front panel, insert the panel into the housing and make sure the panel is properly installed, otherwise, abnormalities occurs on the display or some keys will not function properly.

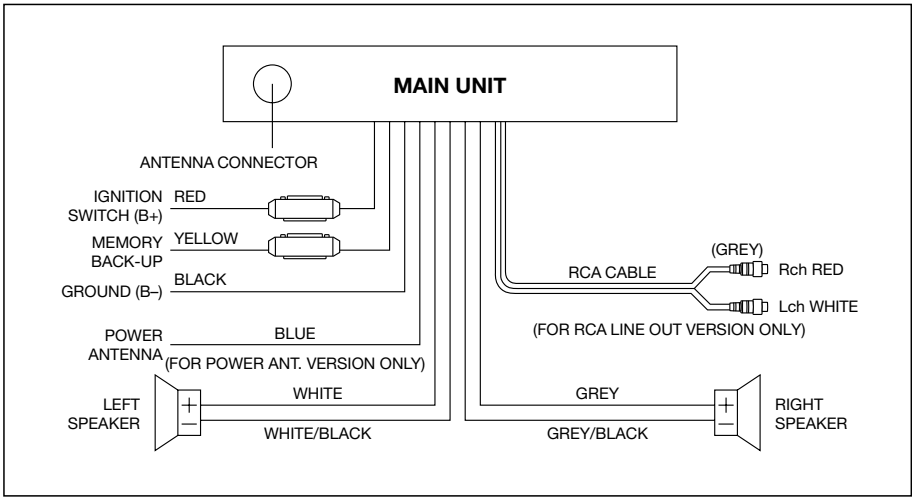
REMOVING THE FRONT PANEL



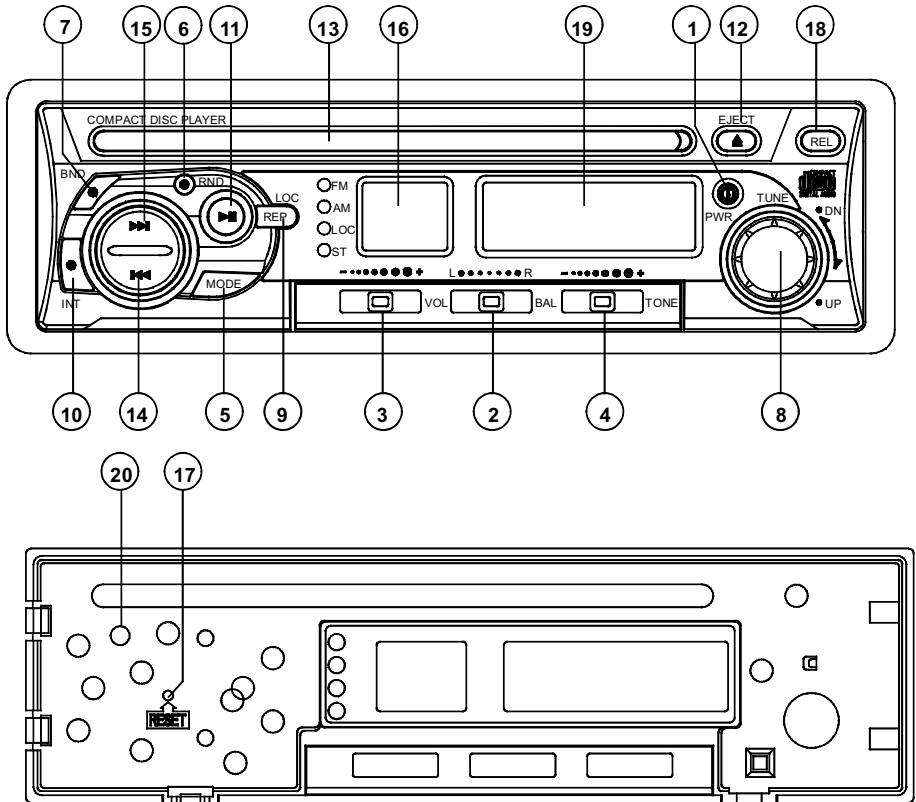
INSTALLING THE FRONT PANEL



WIRING CONNECTION



OPERATION



GENERAL OPERATION

ON/OFF

Press PWR button (1) to turn on the unit. Press it again to turn it off.

BALANCE

Slide BAL button (2) to left or right to adjust sound balance between left and right speakers.

VOLUME

Slide VOL button (3) to left or right to adjust volume level.

TONE CONTROL

Slide TONE button (4) to left or right to obtain the desired sound quality.

SELECT MODE

Press MODE button (5) to change radio mode or CD mode.

OPERATION

RESET BUTTON

RESET button (17) is placed on the housing and must be activated with either a ballpoint pen or thin metal object. The **RESET** button (17) is to be activated for the following reasons:

- Initial installation of the unit when all wiring is completed.
- All the function buttons do not operate.
- Error symbol on the display.

FACEPLATE RELEASE

Press REL button (18) to detach the removable faceplate.

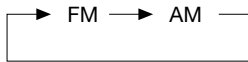
FLASHING LED

If the front panel does not install in the main unit, the LED indicator (20) will be flashing.

RADIO OPERATION

BAND SELECTOR

Press BND button (7) to change bands as below:



SELECT STATION

Rotate the TUNE knob (8) clockwise or anti-clockwise to adjust the frequency upward or downward.

LOCAL/DISTANT

Press the REP/LOC button (9) to select between local setting for reception of strong station and distant setting for reception of weak stations when tuning.

FREQUENCY DISPLAY

The frequency of current reception is indicated by the dial pointer (19).

OPERATION

CD OPERATION

DISC PLAY

Gently insert a compact disc with the label side facing up into the disc slot (13). The disc is then automatically loaded into the unit and starts playing with the first track of the disc. The digital display will indicate the track number and the time of the track.

EJECT

Press ▲ (eject) button (12) to stop CD play and eject CD from slot. Receiver switches to radio operation.

PAUSE CD

During CD playing, press ⏸ button (11) to temporarily stop playing. Press it again to resume playback.

SKIP TRACKS

Press ⏭ button (15) or the ⏮ button (14) to choose the following track or the previous.

FAST FORWARD AND FAST REVERSE

Hold ⏭ button (15) or the ⏮ button (14) for several seconds to fast forward or fast reverse. Releasing the button to stop fast playing.

REPEAT: REPEAT THE SAME TRACK

During CD operation, press REP/LOC button (9) to continuously repeat playing the current track. Press it again to release the mode.

INTRO: PREVIEW ALL TRACKS

During CD operation, press INTRO button (10) to play first several seconds of each track. Press it again to stop intro and listen to track.

RANDOM: PLAY ALL TRACKS IN THE RANDOM ORDER

During CD operation, press and hold RND button(6) for several seconds to play all tracks in the random order . Press it again to cancel the function.

LIQUID CRYSTAL DISPLAY

During CD mode, the LCD (16) can show the current CD working status of the unit.

SPECIFICATION

GENERAL

Power Supply Requirements	: DC 12 Volts, Negative Ground
Chassis Dimensions	: 178 (W) x 163 (D) x 50 (H) mm
Tone Controls	
- Bass (at 100 Hz)	: ± 10 dB
- Treble (at 10 KHz)	: ± 10 dB
Maximum Output Power	: 7W x 2 (ch)
Current Drain	: 3 Ampere

CD PLAYER

Signal to Noise Ratio	: More than 60 dB
Channel Separation	: More than 60 dB
Frequency Response	: 20 Hz - 20 KHz

RADIO

FM

Frequency Coverage	: 88 to 108 MHz
IF	: 10.7 MHz
Sensitivity (S/N = 30 dB)	: 3 μ V
Stereo Separation	: > 30 dB

AM

Frequency Coverage	: 530 to 1710 KHz
IF	: 450 KHz
Sensitivity (S/N = 20 dB)	: 32 dB μ

TROUBLE SHOOTING

Before going through the check list, check wiring connection. If any of the problems persist after check list has been made, consult your nearest service dealer.

Symptom	Cause	Solution
No power.	The car ignition switch is not on.	If the power supply is properly connected to the car accessory circuits, but the engine is not moving, switch the ignition key to "ACC".
	The fuse is blown.	Replace the fuse.
Disc cannot be loaded or ejected.	Presence of CD disc inside the player.	Remove the disc in the player, then put a new one.
	Inserting the disc in reverse direction.	Insert the compact disc with the label facing upward.
	Compact disc is extremely dirty or defective disc.	Clean the disc or try to play a new one.
	Temperature inside the car is too high.	Cool off or until the ambient temperature return to normal.
	Condensation.	Leave the player off for an hour or so, then try again.
No sound.	Volume is in minimum.	Adjust volume to a desired level.
	Wiring is not properly connected.	Check wiring connection.
Sound skips.	The installation angle is more than 30 degrees.	Adjust the installation angle to less than 30 degrees.
	The disc is extremely dirty or defective disc.	Clean the compact disc, then try to play a new one.
The operation keys do not work.	The built-in microcomputer is not operating properly due to noise.	Press the RESET button. Front panel is not properly fixed into its place.
The radio does not work. The radio station automatic selection does not work.	The antenna cable is not connected.	Insert the antenna cable firmly.
	The signals are too weak.	Select a station manually.

Free Manuals Download Website

<http://myh66.com>

<http://usermanuals.us>

<http://www.somanuals.com>

<http://www.4manuals.cc>

<http://www.manual-lib.com>

<http://www.404manual.com>

<http://www.luxmanual.com>

<http://aubethermostatmanual.com>

Golf course search by state

<http://golfingnear.com>

Email search by domain

<http://emailbydomain.com>

Auto manuals search

<http://auto.somanuals.com>

TV manuals search

<http://tv.somanuals.com>