

# **PYRAMID<sup>®</sup>** **Gold Series**

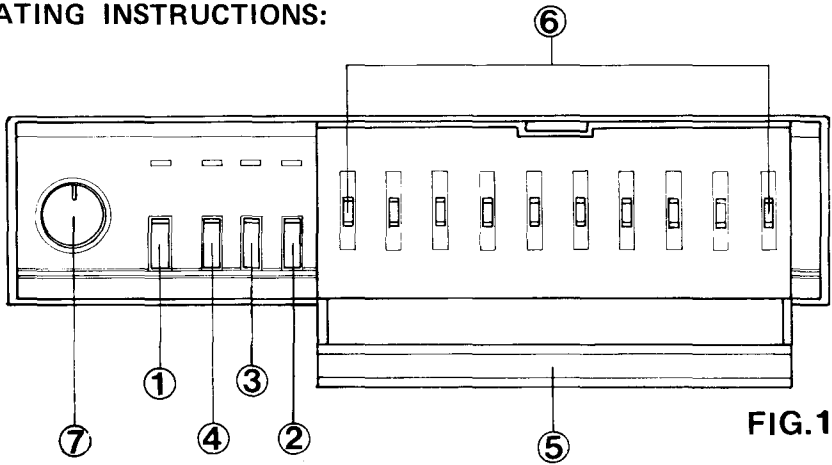


**MODEL:906 VL**

**Built in FM Antenna Booster  
10 Band Graphic Equalizer Booster  
With Scanning and Night Illumination**

**For 12 Volts D.C. Negative Ground System Only**

## OPERATING INSTRUCTIONS:



**1. POWER SWITCH:**

Press to switch amplifier on.

**2. FM ANTENNA BOOSTER SWITCH:**

Press the switch to improve FM reception.

The switch works independently even when power switch off.

**3. HOLD SWITCH:**

Press the switch to light up all the LED indicator built in the shaft of slide equalizer control. (Scan/Level switch at "SCAN" position).

**4. SCAN/LEVEL SWITCH:**

When switch set at "SCAN" position, the LEDs built in each slide control scan automatically from left to right over each frequency points. (Hold switch at "OFF" position) when switch set at "LEVEL" position, the LEDs built in each slide control give visual indication of output power radiating from midpoint of frequencies.

**5. ACRYLIC COVER:**

Remove the acrylic cover for adjustment of slide control

**6. EQUALIZER CONTROLS:**

10 band frequency control, slide the knobs up to boost the signal, slide down to attenuate. The signal is unaffected at center position.

## 7. FADER CONTROL:

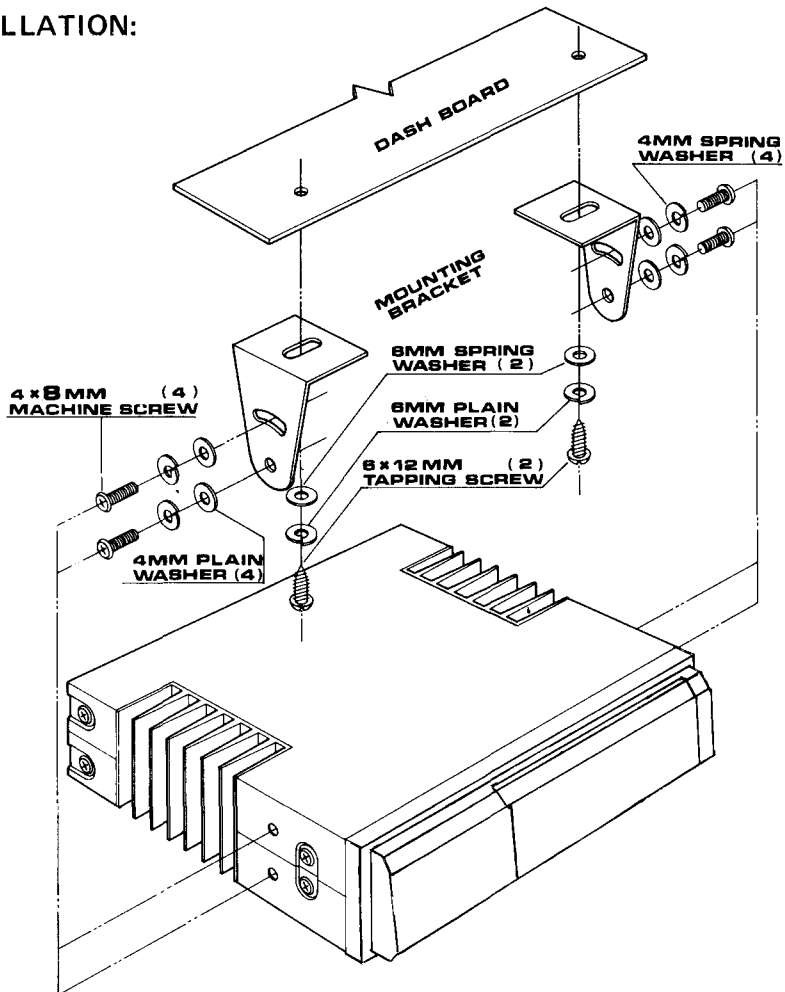
### A) For 4 speakers system:

Fader control can be adjusted by turning the knob to the front side brings up the level of the front speakers, turning it to the rear side brings up that of the rear's and tuning it at mid-position both sets of speakers are at maximum level.

### B) For 2 speakers system:

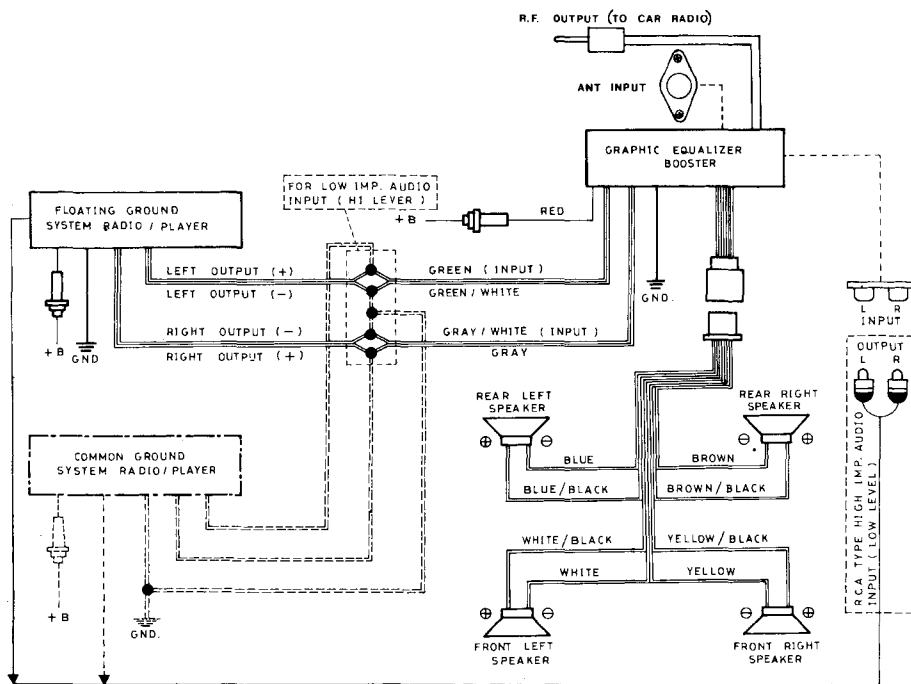
The Fader control knob should be turned to the center of position which provides the loudest sound for using set of speakers.

## INSTALLATION:

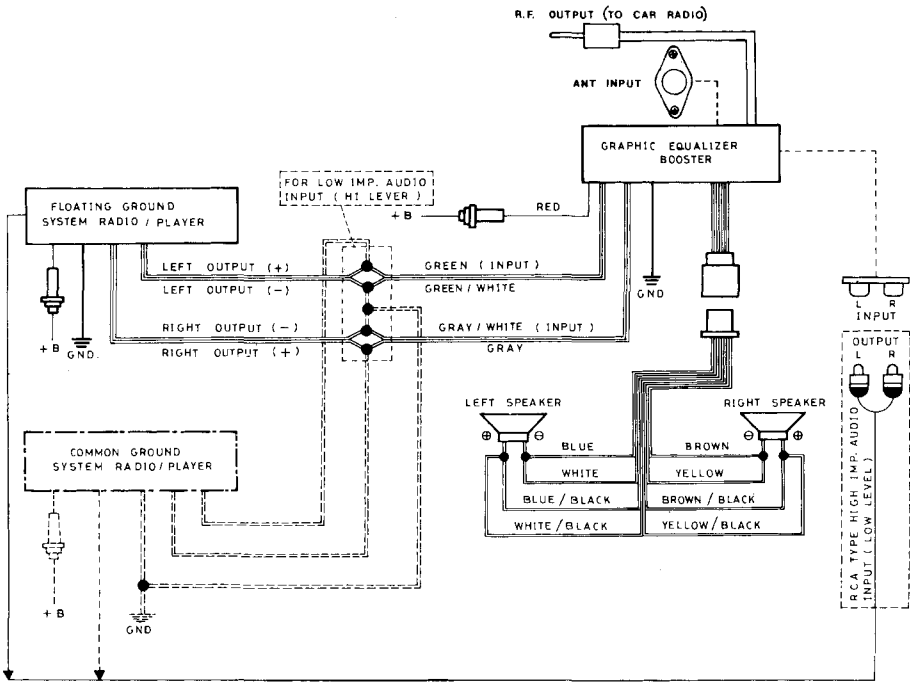


# ELECTRICAL CONNECTIONS:

for 4 Speaker System (4 or 8 ohm)



for 2 Speaker System (4 ohm)



## SPECIFICATIONS:

Power Supply	12 volt D.C. Nominal, Negative Ground
Output Power	150 Watt x 2 Max.
Speaker Impedance	4 ohm (4 ohm ~ 8 ohm allowable)
Frequency Response	20 Hz ~ 20 KHz $\pm$ 1dB
Signal to Noise Ratio	more than 60dB
Input Impedance	High Input 47 k $\Omega$ Low Input 100 $\Omega$
Control Frequency	30Hz, 60Hz, 120Hz, 250Hz, 500Hz, 1KHz, 2KHz, 4KHz, 8KHz, 16KHz
Control Range	$\pm$ 10dB
Fuse	8A
FM Ant Max. Sensitivity	5 dB
Dimensions (W x H x D)	176 (W) x 40 (H) x 154 (D) mm

## CAUTION:

1. The unit and the speaker will be damaged if there is a connection to the ground (chassis) from any speaker wire.
2. For best result, speakers should be rated to safely handle the additional power output provided by the unit speakers with low power rating may be damaged.
3. This equipment is intended for use in 12V DC negative ground electrical system only. The use of voltage or polarity converters is discouraged.
4. To avoid the possibility of short-circuiting the output stages both radio and the amplifier should be switched-off (preferably disconnected from the power supply) when installing and wiring the speakers.
5. Use high or low level inputs to the equalizer. Both can-not be connected at the same time.

# CARE AND MAINTENANCE

---

Your Pyramid 300 Watt Stereo 10-Band Equalizer/Booster is an example of superior design and craftsmanship. The following suggestions will help you care for your equalizer/booster so you can enjoy it for years.



Keep the equalizer/booster dry. If it does get wet, wipe it dry immediately. Liquids contain minerals that can corrode electronic circuits.



Use and store the equalizer/booster only in normal temperature environments. Temperature extremes can shorten the life of electronic devices and distort or melt plastic parts.



Handle the equalizer/booster gently and carefully. Dropping it can damage the circuit boards and can cause it to work improperly.



Keep the equalizer/booster away from dust and dirt, which can cause premature wear of parts.



Wipe the equalizer/booster with a damp cloth occasionally to keep it looking new. Do not use harsh chemicals, cleaning solvents, or strong detergents to clean the equalizer/booster.

**[www.pyramidcaraudio.com](http://www.pyramidcaraudio.com)**

Download from [Www.Somanuals.com](http://Www.Somanuals.com). All Manuals Search And Download.



## Free Manuals Download Website

<http://myh66.com>

<http://usermanuals.us>

<http://www.somanuals.com>

<http://www.4manuals.cc>

<http://www.manual-lib.com>

<http://www.404manual.com>

<http://www.luxmanual.com>

<http://aubethermostatmanual.com>

Golf course search by state

<http://golfingnear.com>

Email search by domain

<http://emailbydomain.com>

Auto manuals search

<http://auto.somanuals.com>

TV manuals search

<http://tv.somanuals.com>