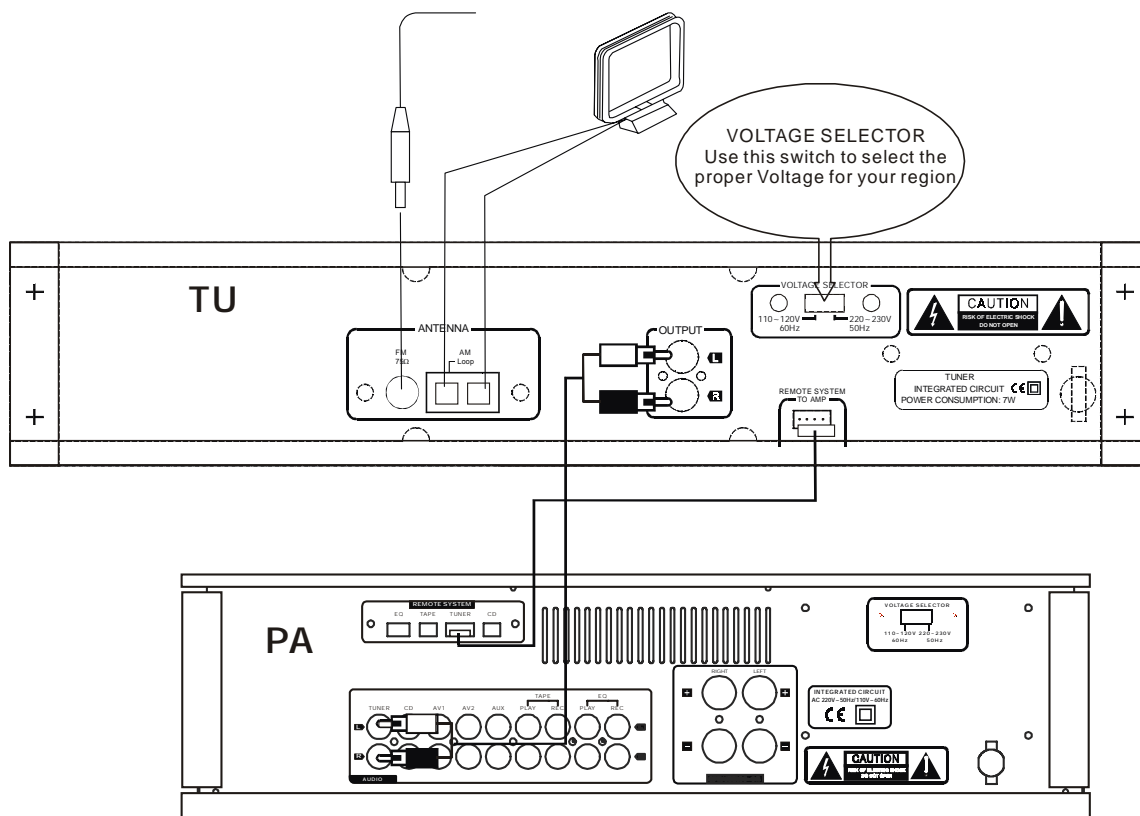


# PR - 332T

## DIGITAL STEREO TUNER

# OPERATION INSTRUCTIONS

## CONNECTIONS



\* Instructions and requirements indicated may vary to some extent depending on sales area, local law and regulations.

### Connection precautions

- \* When connecting or re-locating the unit, be sure to turn the power off or disconnect the power cable.
- \* Check the left and right channels and align them correctly (L to left and R to right.)

### Connections to amplifier

The supplied pin-plug cables should be used for connection between the unit's rear panel OUTPUT terminals and your amplifier's TUNER terminals. Make sure not to confuse the left and right cables in connection.

### FM antenna

#### Indoor T-shaped FM antenna

The T-shaped antenna included with the unit meant for temporary use unit an outdoor is set up. Connect it to the FM 300Ω ANTENNA terminals and open the arm ends to form a "T" shape. While listening to a broadcast, hold the stretched ends and move around until it is facing in the direction in which the signals come in strongest, then attach to wall or ceiling.

#### FM antenna connection

Use the FM 300Ω terminals when connecting the T-shaped FM feeder antenna supplied or a 300Ω lead-in cable from an outdoor antenna. Use the FM 75Ω terminals when connecting a 75Ω coaxial cable from an outdoor antenna.

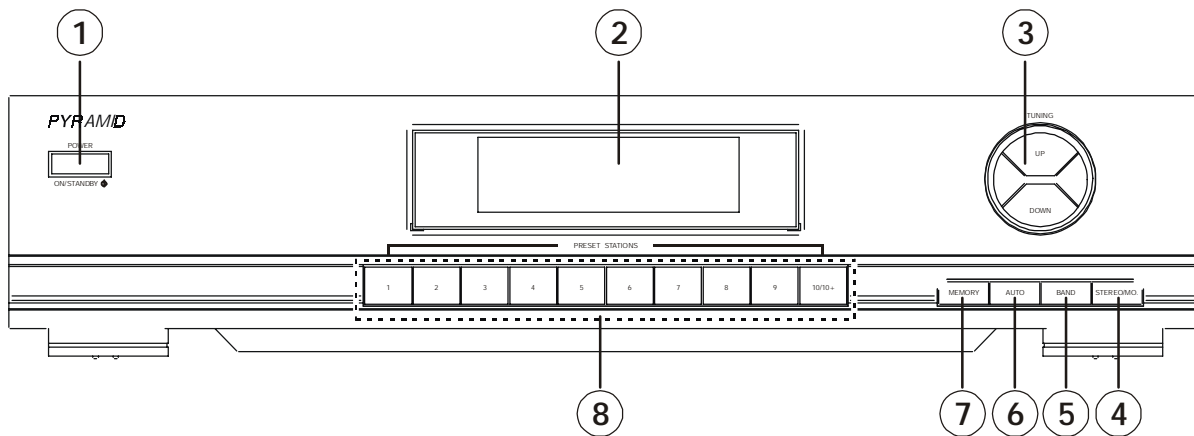
#### AM loop antenna connection

Connect the cord of the accessory AM loop antenna to the AM LOOP antenna terminals, and attach it to the accessory antenna holder.

Attach antenna holder to a wall with the range of the loop antenna cord. When tuning into AM (MW, LW) stations, move the antenna to the left or right and set it in the direction which yields the optimum reception.

- \* AM (MW, LW) reception is not possible with the loop antenna detached. Even if an outdoor AM antenna is erected, keep this loop antenna in place.
- \* Do not bring the power cord or the speaker cords near the loop antenna since noise will be generated.
- \* Do not bring the loop antenna near to the display, otherwise will affect the reception.

## PANEL INFORMATION



### 1. ON/STANDBY SWITCH

Press this button to switch "ON" the unit and press again to switch "OFF" unit into "STANDBY MODE". If the unit is left unattended for long periods, remove the AC cord from the power socket.

### 2. TUNER DISPLAY

The frequency of the station which has been in is indicated in digits. MHz units are used for FM frequencies and KHz units for AM frequencies. When the MEMORY SCAN switch or the PRESET STATION switch is pressed, the current station number will be displayed.

\* When the MEMORY SCAN switch (in remote handset) is pressed, the memorized preset number will flash, and change approximately every 5 seconds. Press the memory hold (in remote handset) switch to stop at the desired station.

\* The number which was last displayed before power was turned off will be displayed again when power is turned back on.

### 3. TUNING SWITCH (UP or DOWN)

Press UP or DOWN to search your favourite station.

Tuning can be performed either automatically or manually, depending on the setting of the tuning mode selector switch.

**Auto tuning:** When the DOWN TUNING switch is depressed, the frequency which is tuned in is counted down and this countdown operation stops automatically as soon as the station is tuned in the LOCK indicator together with the relative frequencies will be continuously counted down without stopping when stations are tuned in until you release the switch. This will stop the automatic tuning operation when the lower frequency limit is reached, count-down changes over to count-up.

**Manual tuning:** Every time one of the TUNING switches is depressed, the received frequency moves up or down in 50KHz units for FM and 9 KHz for AM. (For USA, 10 KHz for AM). When the switches are kept in the depressed position, the received frequency moves up and down rapidly in the units you release the switches.

\* With manual tuning, the frequency will not stop changing as long as the UP or DOWN switch is held pressed.

### 4. FM STEREO/MONO SWITCH

This switch has a dual function: It switches the stereo and mono reception. FM stereo broadcasts can be heard in stereo while FM mono broadcast are heard in mono. Normally, the stereo is received when press the stereo/mono knob once. And the mono when the switch is pressed once again, the relative light will be shown on the display. When received stereo signal is too weak, then there will be some noise, you can press the mono key to cut the noise.

### 5. AM / FM SELECTOR SWITCH

Press this switch to select the broadcast band (AM or FM).

### 6. AUTO SEARCH SWITCH

This switch is used to select AUTO or MANUAL tuning of AM or FM stations. Press once to set to AUTO, press again to set MANUAL.

### 7. MEMORY SWITCHES

- Tune in the station you wish to preset.
- Press the MEMORY switch. While this switch is held pressed, the MEMORY indicator will show.
- Then press the PRESET STATION switch to enter the tuned station into the memory within 5 seconds.

### 8. PRESET STATION SWITCHES

Up to 20 AM or FM stations may be preset at random. Presetting the switches will allow you to tune in your favourite stations simply and easily.

# SPECIFICATIONS

---

## FM Section

**Tuning range**.....87.5 to 108 MHz

### Usable Sensitivity

Mono IHF.....12 dB (3.9 uv)

### 50 dB quieting sensitivity

Mono.....16.5 dBf

Stereo.....37.0 dBf

### Signal to noise ratio at 65 dBf

Mono.....70 dB

Stereo.....70 dB

### Distortion at 65 dBf

Mono.....less than 0.15% at 1,000Hz

Stereo.....less than 0.2% at 1,000Hz

### Alternate channel selectivity

(at 400 KHz).....30 dB

**Stereo separation**.....40 dB at 1,000 Hz

**Frequency response**.....40 to 14 KHz

+3.0 dB, -3.0 dB

**Antenna input impedance**.....300 ohms balanced

75 ohms unbalanced

## AM (MW) Section

**Tuning range**.....MW: 530 to 1710KHz

**Usable sensitivity**.....MW: 68 dB/m (446uVm)

**Signal to noise ratio**.....40 dB

**Image response ratio**.....MW: 40 dB at 1,000kHz

### Others

**Output voltage and impedance**...220 mV/2.2kohms

### Power requirements

Power voltage.....220V~50Hz

For U.K.....240V~50Hz

For U.S.A & Canada.....110V~ 60Hz

Power consumption..... watts VA Rated

10 watts maximum

**Dimensions**..... 420mm W

93mm H

225mm D

**Weight**.....2.3Kg net

## Free Manuals Download Website

<http://myh66.com>

<http://usermanuals.us>

<http://www.somanuals.com>

<http://www.4manuals.cc>

<http://www.manual-lib.com>

<http://www.404manual.com>

<http://www.luxmanual.com>

<http://aubethermostatmanual.com>

Golf course search by state

<http://golfingnear.com>

Email search by domain

<http://emailbydomain.com>

Auto manuals search

<http://auto.somanuals.com>

TV manuals search

<http://tv.somanuals.com>