



ISIS-Series Loudspeakers

ISIS W-102M and ISIS 102M 10" two-way, medium dispersion

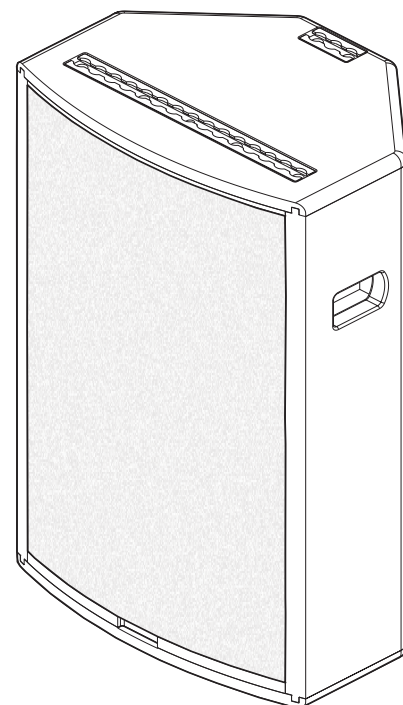
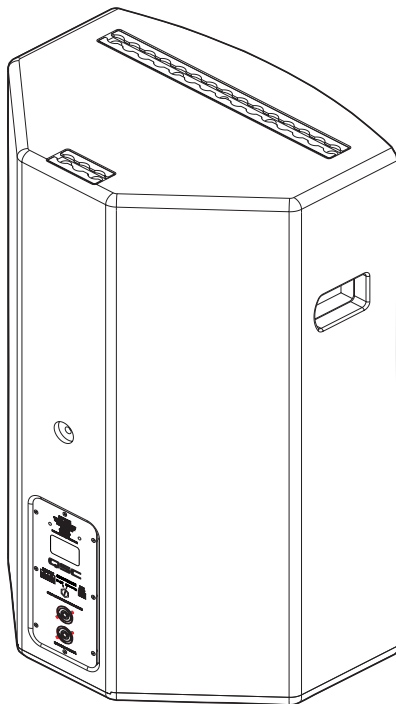
ISIS W-102W and ISIS 102W 10" two-way, wide dispersion

ISIS W-122M and ISIS 122M 12" two-way, medium dispersion

ISIS W-152M and ISIS 152M 15" two-way, medium dispersion

User Manual

EN



TD-000119-00 rev.B

Important Safety precautions & Explanation of symbols

- 1- Read these instructions.
- 2- Keep these instructions.
- 3- Heed all warnings.
- 4- Follow all instructions.
- 5- Clean only with a dry cloth.
- 6- Install in accordance with QSC Audio Product's instructions and a licensed, professional engineer.
- 7- Do not install near any heat sources such as radiators, heat registers, stoves, or other apparatus (including amplifiers) that produce heat.
- 8- Only use attachments/accessories from QSC Audio Products, Inc.
- 9- Use only with mounts or brackets specified by QSC Audio Products.
- 10- Refer all servicing to qualified personnel. Servicing is required when the apparatus has been damaged in any way.

The exclamation point within an equilateral triangle is intended to alert the user to the presence of important operating and maintenance (servicing) instructions in this manual.

WARNING! Before placing, installing, rigging, or suspending any speaker product, inspect all hardware, suspension, cabinets, transducers, brackets and associated equipment for damage. Any missing, corroded, deformed or non-load rated component could significantly reduce the strength of the installation, placement, or array. Any such condition severely reduces the safety of the installation and should be immediately corrected. Use only hardware which is rated for the loading conditions of the installation and any possible short-term unexpected overloading. Never exceed the rating of the hardware or equipment. Consult a licensed, professional engineer when any doubt or questions arise regarding a physical equipment installation.

Warranty (USA only; other countries, see your dealer or distributor)

Disclaimer

QSC Audio Products, Inc. is not liable for any damage to amplifiers, or any other equipment that is caused by negligence or improper installation and/or use of this loudspeaker product.

QSC Audio Products 3 Year Limited Warranty

QSC Audio Products, Inc. ("QSC") guarantees its products to be free from defective material and / or workmanship for a period of three (3) years from date of sale, and will replace defective parts and repair malfunctioning products under this warranty when the defect occurs under normal installation and use - provided the unit is returned to our factory or one of our authorized service stations via pre-paid transportation with a copy of proof of purchase (i.e., sales receipt). This warranty provides that the examination of the return product must indicate, in our judgment, a manufacturing defect. This warranty does not extend to any product which has been subjected to misuse, neglect, accident, improper installation, or where the date code has been removed or defaced. QSC shall not be liable for incidental and/or consequential damages. This warranty gives you specific legal rights. This limited warranty is freely transferable during the term of the warranty period.

Customer may have additional rights, which vary from state to state.

In the event that this product was manufactured for export and sale outside of the United States or its territories, then this limited warranty shall not apply. Removal of the serial number on this product, or purchase of this product from an unauthorized dealer, will void this limited warranty.

Periodically, this warranty is updated. To obtain the most recent version of QSC's warranty statement, please visit www.qscaudio.com.

Contact us at 800-854-4079 or visit our website at www.qscaudio.com.

© Copyright 2003, QSC Audio Products, Inc.

QSC® is a registered trademark of QSC Audio Products, Inc.

"QSC" and the QSC logo are registered with the U.S. Patent and Trademark Office

Speakon® is a registered trademark of Neutrik® and the names of Neutrik® products referenced herein are either trademarks and/or service marks of Neutrik®.

All trademarks are the property of their respective owners.

Introduction

Thank you and congratulations on your purchase of QSC's ISIS multipurpose loudspeakers. These products represent the state-of-the-art in lightweight SR (sound reinforcement) loudspeaker systems. To get the most from your investment, we encourage you to review this manual carefully.

The ISIS 102M, ISIS 102W, ISIS 122M, and ISIS 152M loudspeaker systems are full range, high output, two-way designs delivering superior sound quality and high SPL in a lightweight, all-weather cored composite enclosure.

The ISIS W-102M, ISIS W-102W, ISIS W-122M, and ISIS W-152M loudspeaker systems are wooden enclosure versions and are essentially identical with the exceptions of weight and weather resistance. These models offer an economical alternative to the cored composite enclosures in high quality 13 to 18 ply baltic birch.

Applications include flown arrays, yoke mounting, foldback stage monitors, and portable event use (pole mount). Hardware options make the ISIS loudspeakers versatile and easy to reconfigure for mobile and touring sound companies. These loudspeakers make an excellent choice for a wide variety of SR applications.

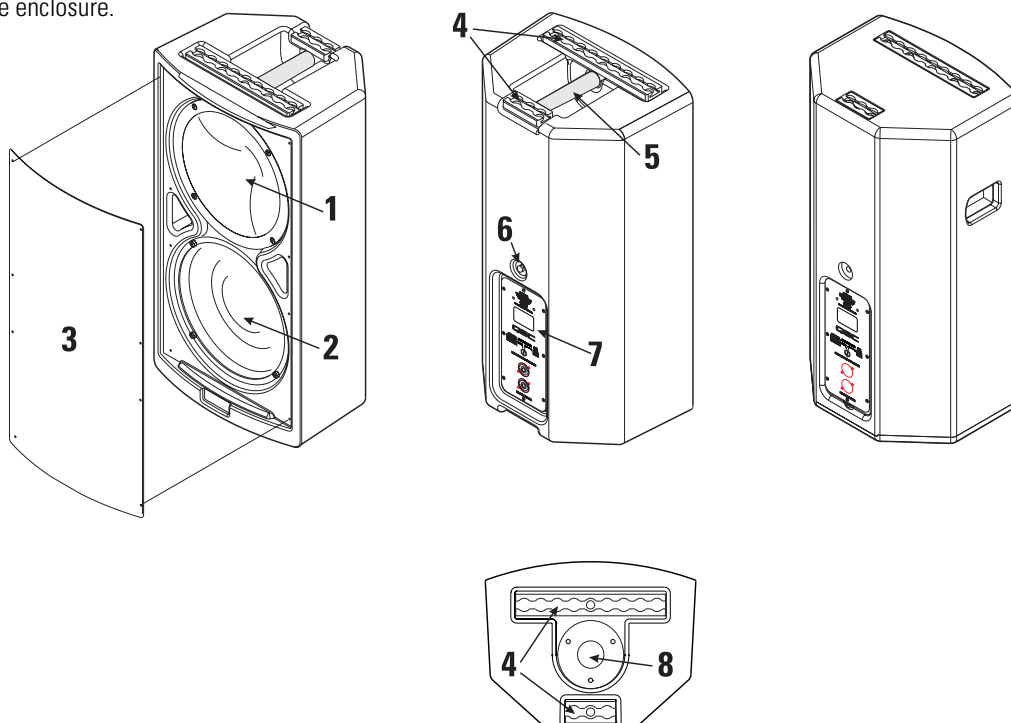
EN



Do not install wooden enclosure models in exterior environments unless fully shield from the weather.

Product Features (ISIS 102M (handle on top) and ISIS W-102M (side recess) shown)

Note: Models featuring cored composite enclosures have a carrying handle on their top, whereas wooden enclosure models have a handling recess on the side of the enclosure. A wooden enclosure is shown at the far right, below. Other views are of a cored composite enclosure.



- 1- High-frequency driver/waveguide assembly (102W waveguide differs)**
- 2- Low-frequency driver**
- 3- Removable metal/foam grill**
- 4- Fly track (top and bottom of cabinet)**
- 5- Carrying handle**
- 6- Rear pick-point**
- 7- Connection panel with two Speakon® connectors wired in parallel and crossover mode selector switch**
- 8- Pole cup (bottom of cabinet)**

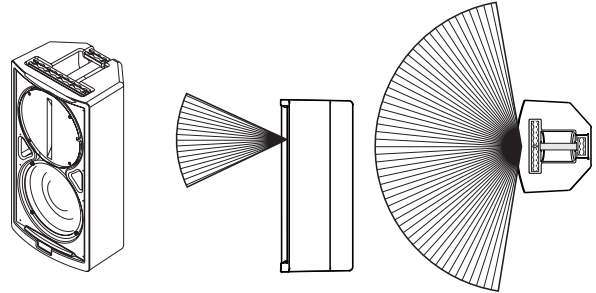
Note- Standard model shown. Custom product options may include hardware and connector variations.

Coverage Angles

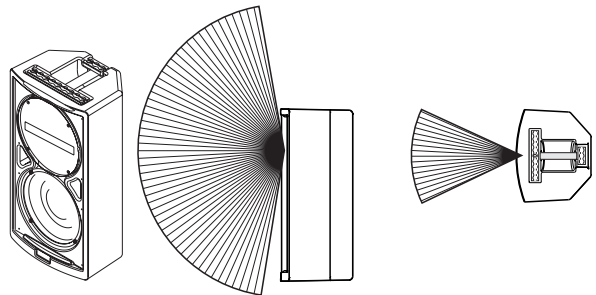
102M/122M/152M- These models are equipped with 60° conical waveguides. HF coverage remains constant regardless of cabinet orientation.

102W- Before mounting the loudspeaker, determine the mounting orientation and desired coverage angles. As supplied from the factory, the loudspeaker's coverage angles are 150° (horizontal) x 50° (vertical) with the cabinet oriented vertically. The waveguide can be rotated to interchange the coverage angles.

Waveguide slot vertically oriented: (102W only; as shipped from factory)



Waveguide slot horizontally oriented: (102W only; requires waveguide rotation)



Rotating the Waveguide to Alter HF Coverage Pattern (102W only)

1- Remove the grill. It is held in place by eight cap head screws.

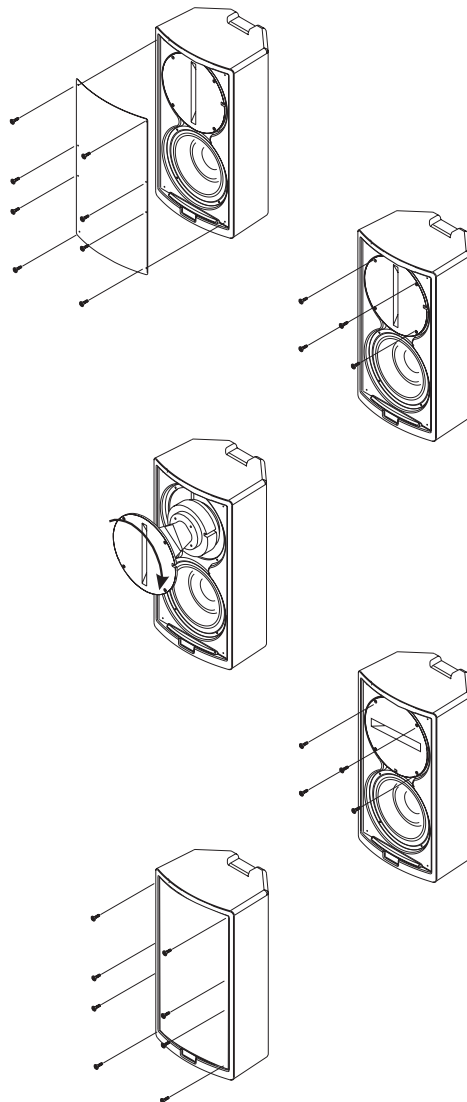
2- Remove the four waveguide retaining screws. A #2-size Phillips screwdriver is recommended.

3- Reach into the waveguide's port and pull gently to remove the waveguide. Be careful not to damage the connections, wiring, or the gasket between the waveguide and the cabinet. The aluminum spacer ring must remain in place.

4- Rotate the waveguide 90° clockwise or counterclockwise and set it back in place. Make certain the wiring is not stressed or pulled loose from its connections when rotating the assembly.

5- Before reinstalling the waveguide mounting screws, lift the assembly a small distance and make sure that the gasket and spacer ring are properly in place. Reposition, if required. Set the waveguide in place and install the screws. We recommend the use of removable thread sealant to prevent the screws from loosening. Do not overtighten.

6- Replace the grill. We recommend the use of removable threadlocker to prevent the screws from loosening. Do not overtighten.



Select the Desired Crossover Mode

All models are equipped with a Crossover Mode switch. Before using, set the Crossover Mode switch to the desired position using a flat-tip screwdriver. The switch has a slotted shaft; insert the screwdriver tip into the slot and turn the shaft so the slot points to the desired mode. Do not change switch positions with power applied.

FULL RANGE: This setting uses the internal crossover network. Connect the full-range input signal to Speakon pins 1+ and 1-.

BI-AMP: This setting bypasses the internal crossover network and connects Speakon pins 1+ and 1- to the low-frequency (LF) driver and pins 2+ and 2- to the high-frequency (HF) driver. Signal processing ahead of the amplifier is required; the HF driver can easily be damaged if full range program is applied! Use a four-wire cable and an amplifier configured to operate in bi-amp mode.



BIAMP OPERATION- Signal processing ahead of the amplifier is required; the HF driver can easily be damaged if full range program is applied!

FULL RANGE

CROSSOVER MODE

BI-AMP / FULL RANGE
/ PASSIVE



INPUT PINOUT

1+	1-
POS	NEG

BI-AMP

CROSSOVER MODE

BI-AMP / FULL RANGE
/ PASSIVE



INPUT PINOUT

LF		HF	
1+	1-	2+	2-
POS	NEG	POS	NEG

Make the Required Connections

All models are equipped with two Neutrik NL4-series airtight Speakon connectors. The two connectors are wired in parallel, allowing for multiple cabinets to be connected in parallel by plugging one cabinet into another with a suitable cable.

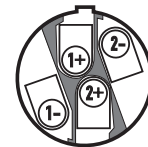
Connector pinout is determined by the Crossover Mode switch setting. Full Range selection uses Speakon pins 1+ and 1-. Bi-amp selection uses pins 1+ and 1- for the LF driver, 2+ and 2- for the HF driver. There are pinout charts printed on the connector plate.



Maintain proper speaker and amplifier connection polarity throughout the entire system. All positive-marked loudspeaker terminals should be connected to positive-marked amplifier output terminals. This will provide the best possible low-frequency output from your system.

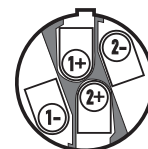
Speakon plug pinouts- The Speakon plugs that are connected to the loudspeaker cabinets should conform to the pin outs shown at right. The connectors are shown from the wire-insertion end and show the inside of the disassembled Speakon plug.

Full Range Speakon™ Pinout



Pin 1+ : LF full range signal positive
Pin 1- : LF full range signal negative

Bi-amp Speakon™ Pinout



Pin 1+ : LF signal positive
Pin 1- : LF signal negative
Pin 2+ : HF signal positive
Pin 2- : HF signal negative

Recommended Fastener Torque

Fly track to cabinet-4.52 Nm (40 in-lb)
Pole cup to cabinet- 1.92 Nm (17 in-lb)
Waveguide to cabinet- 1.92 Nm (17 in-lb)
LF driver to cabinet- 1.92 Nm (17 in-lb)
Grill to cabinet-1.01 Nm (9 in-lb)
Connector plate to cabinet-1.01 Nm (9 in-lb)

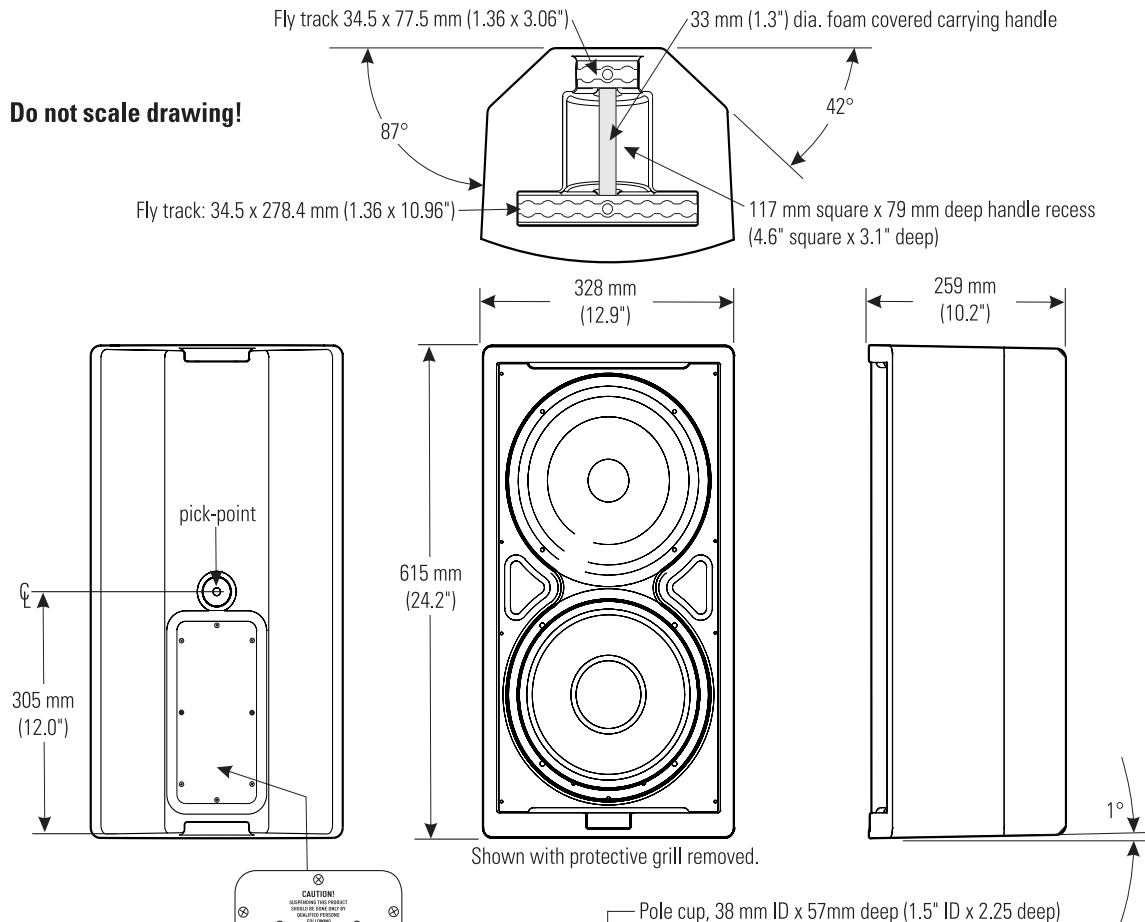
EN



All fasteners should be checked for tightness before loudspeaker use. If any fastener is loose or is removed for any reason, ensure it is installed using a torque-limiting tool to avoid cabinet damage. Fly track hardware is safety-critical and should be carefully checked before suspending or rigging the cabinet.

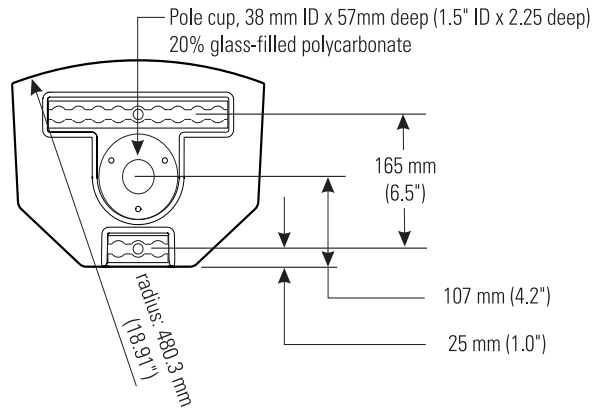
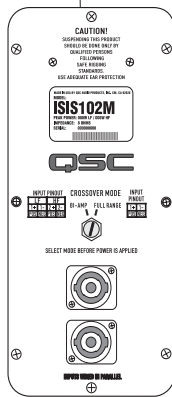
ISIS 102M Dimensions (ISIS 102W similar)

Do not scale drawing!



Connector Plate Detail:

- Model/serial number
- Connector pin-out charts
- Bi-amp/full range switch
- Neutrik® NL4-series Speakon®, 2 places, wired in parallel.



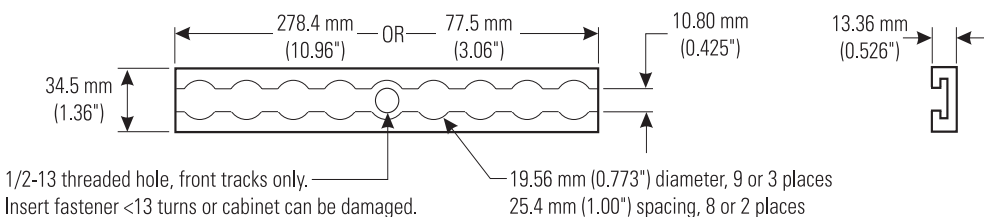
Fastener Information:

All fasteners are SAE American thread, black stainless steel. All fasteners secured with Loctite #242 threadlocker.

- LF driver-to-cabinet: 1/4-20 x 1.00" allen screws
- Connector plate-to-cabinet: #8-32 x 0.325" pan head screws
- Grill-to-cabinet: #8-32 x 1.00" allen screws
- Pole cup-to-cabinet: #10-32 x 0.325" flat head screws
- Rear pick-point: 5/16-18 threaded insert
- Fly track-to-cabinet: 1/4-20 x 1.00" flat head allen screws
- HF waveguide-to-cabinet: #10-32 x 1.00" flat head phillips screws

Fly Track Information:

- Material: Aluminum, high tensile aircraft alloy

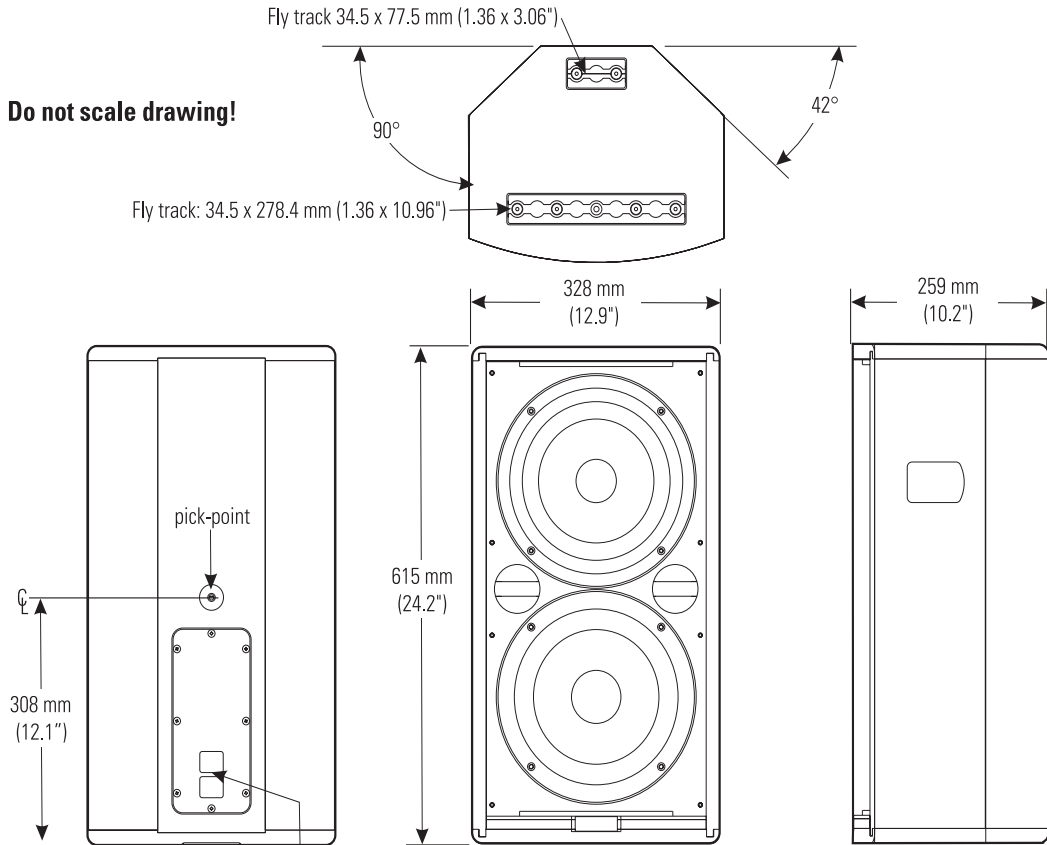


Specifications are subject to change without notice.

EN

ISIS W-102M Dimensions (ISIS W-102W similar)

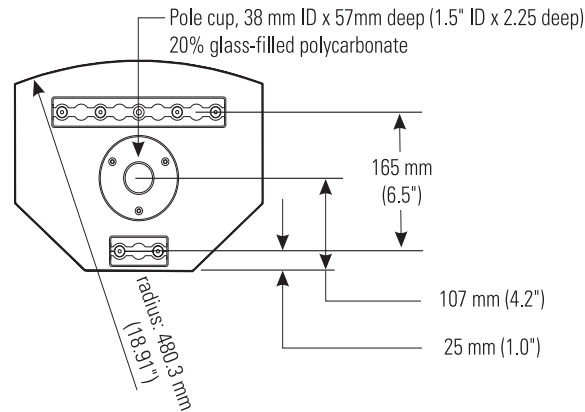
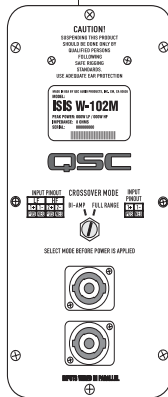
Do not scale drawing!



Shown with protective grill removed.

Connector Plate Detail:

- Model/serial number
- Connector pin-out charts
- Bi-amp/full range switch
- Neutrik® NL4-series Speakon®, 2 places, wired in parallel.



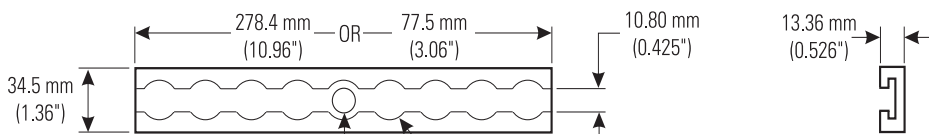
Fastener Information:

All fasteners are SAE American thread, black stainless steel. All fasteners secured with Loctite #242 threadlocker.

- LF driver-to-cabinet: 1/4-20 x 1.00" allen screws
- Connector plate-to-cabinet: #8-32 x 0.325" pan head screws
- Grill-to-cabinet: #8-32 x 1.00" allen screws
- Pole cup-to-cabinet: #10-32 x 0.325" flat head screws
- Rear pick-point: 5/16-18 threaded insert
- Fly track-to-cabinet: 1/4-20 x 1.00" flat head allen screws
- HF waveguide-to-cabinet: #10-32 x 1.00" flat head phillips screws

Fly Track Information:

- Material: Aluminum, high tensile aircraft alloy

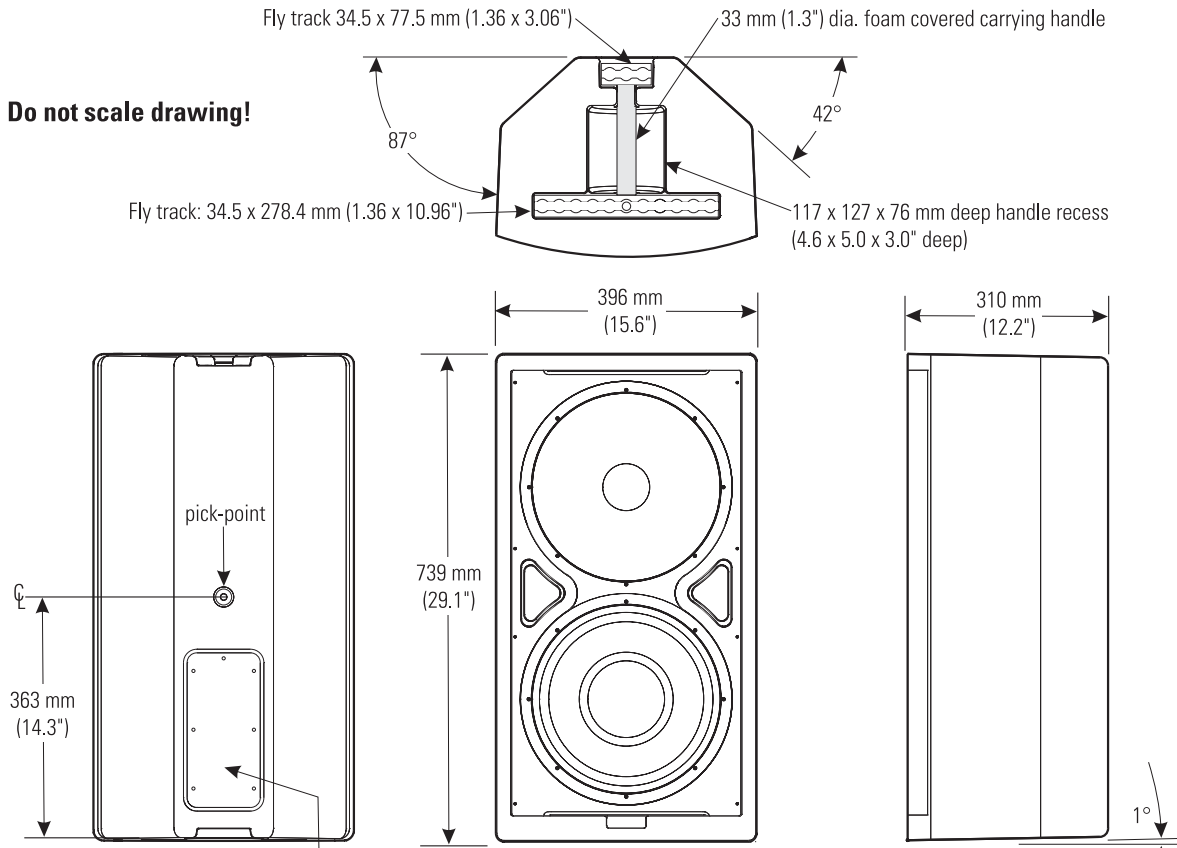


1/2-13 threaded hole, front tracks only.
 Insert fastener <13 turns or cabinet can be damaged.
 19.56 mm (0.773") diameter, 9 or 3 places
 25.4 mm (1.00") spacing, 8 or 2 places

Specifications are subject to change without notice.

ISIS 122M Dimensions

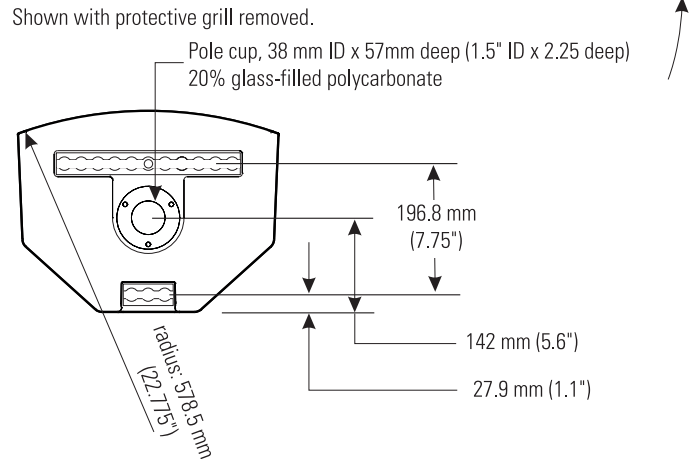
Do not scale drawing!



EN

Connector Plate Detail:

- Model/serial number
- Connector pin-out charts
- Bi-amp/full range switch
- Neutrik® NL4-series Speakon®, 2 places, wired in parallel.



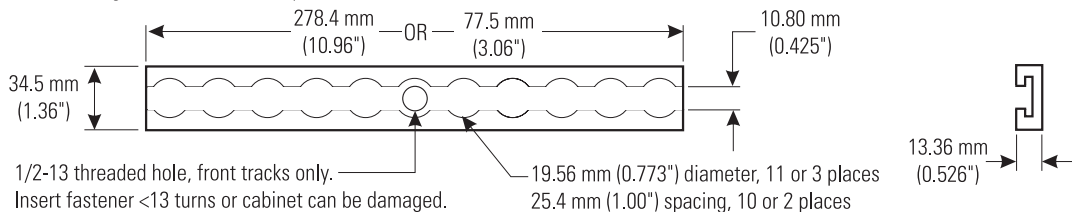
Fastener Information:

All fasteners are SAE American thread, black stainless steel. All fasteners secured with Loctite #242 threadlocker.

- LF driver-to-cabinet: 1/4-20 x 1.00" allen screws
- Connector plate-to-cabinet: #8-32 x 0.325" pan head screws
- Grill-to-cabinet: #8-32 x 1.00" allen screws
- Pole cup-to-cabinet: #10-32 x 0.325" flat head screws
- Rear pick-point: 5/16-18 threaded insert
- Fly track-to-cabinet: 1/4-20 x 1.00" flat head allen screws
- HF waveguide-to-cabinet: #10-32 x 1.00" flat head phillips screws

Fly Track Information:

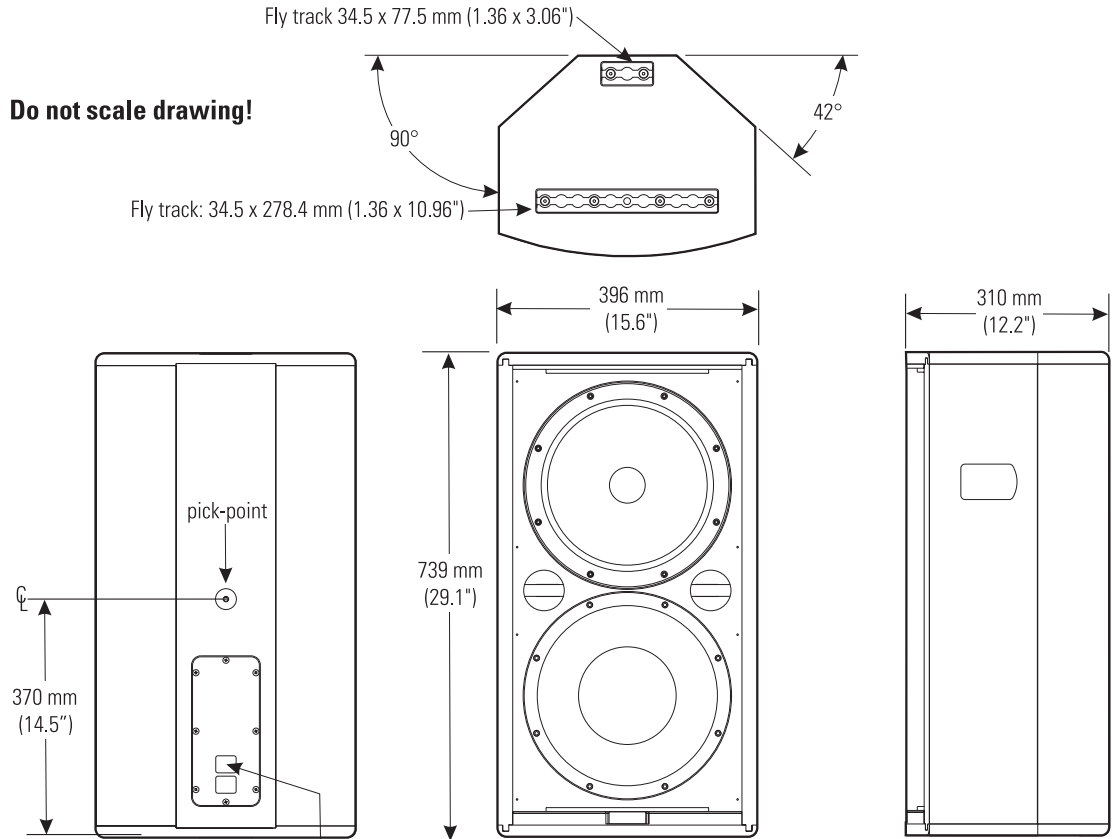
- Material: Aluminum, high tensile aircraft alloy



Specifications are subject to change without notice.

ISIS W-122M Dimensions

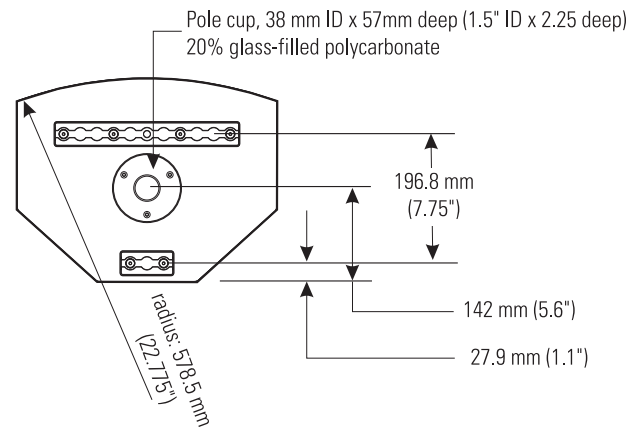
Do not scale drawing!



Shown with protective grill removed.

Connector Plate Detail:

- Model/serial number
- Connector pin-out charts
- Bi-amp/full range switch
- Neutrik® NL4-series Speakon®, 2 places, wired in parallel.



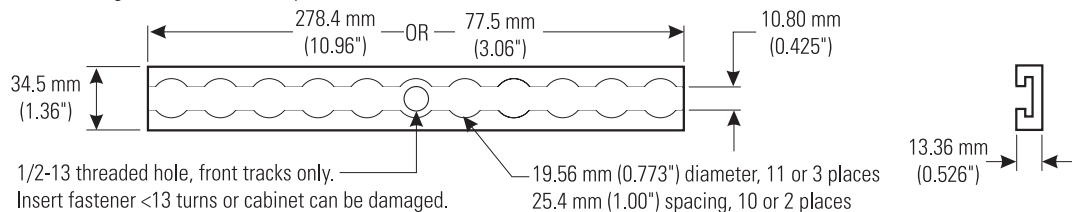
Fastener Information:

All fasteners are SAE American thread, black stainless steel. All fasteners secured with Loctite #242 threadlocker.

- LF driver-to-cabinet: 1/4-20 x 1.00" allen screws
- Rear pick-point: 5/16-18 threaded insert
- Connector plate-to-cabinet: #8-32 x 0.325" pan head screws
- Fly track-to-cabinet: 1/4-20 x 1.00" flat head allen screws
- Grill-to-cabinet: #8-32 x 1.00" allen screws
- HF waveguide-to-cabinet: #10-32 x 1.00" flat head phillips screws
- Pole cup-to-cabinet: #10-32 x 0.325" flat head screws

Fly Track Information:

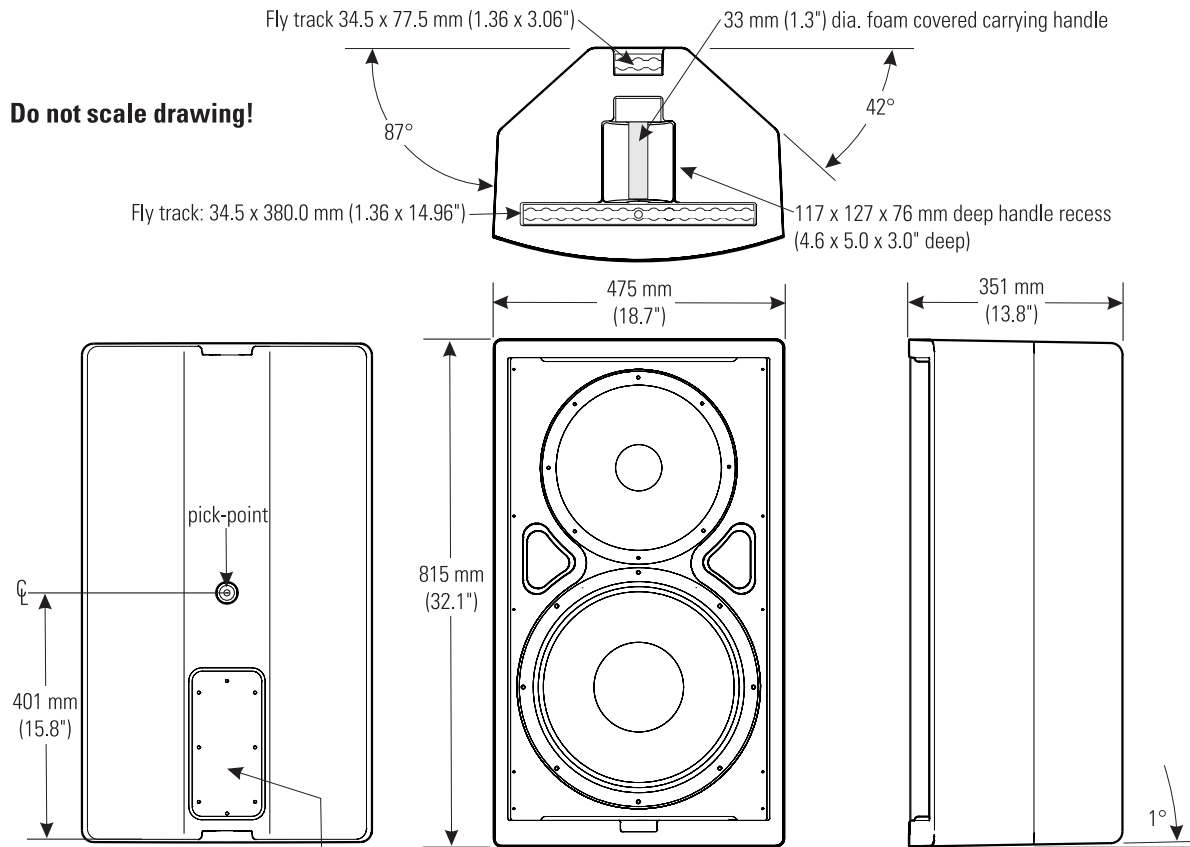
- Material: Aluminum, high tensile aircraft alloy



Specifications are subject to change without notice.

ISIS 152M Dimensions

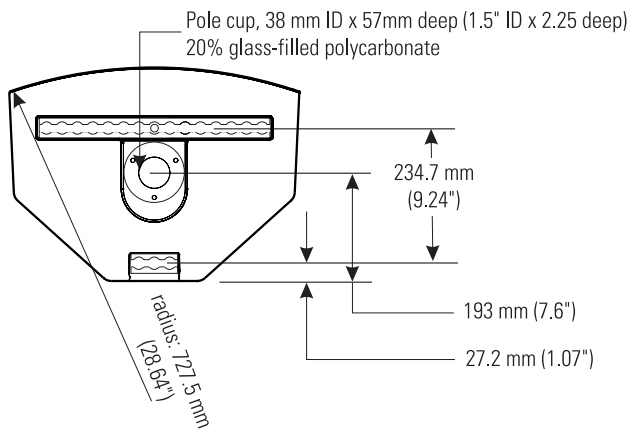
Do not scale drawing!



Shown with protective grill removed.

Connector Plate Detail:

- Model/serial number
- Connector pin-out charts
- Bi-amp/full range switch
- Neutrik® NL4-series Speakon®, 2 places, wired in parallel.



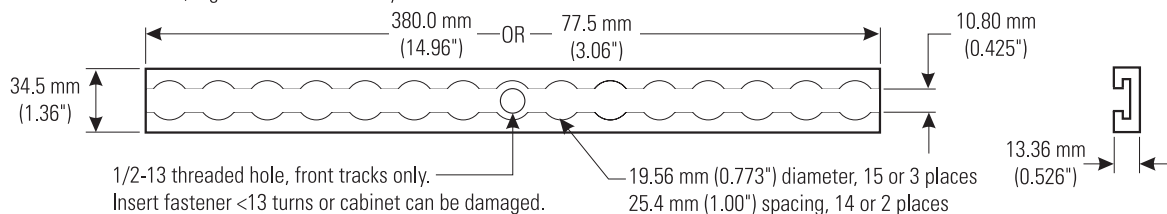
Fastener Information:

All fasteners are SAE American thread, black stainless steel. All fasteners secured with Loctite #242 threadlocker.

- LF driver-to-cabinet: 1/4-20 x 1.00" allen screws
- Connector plate-to-cabinet: #8-32 x 0.325" pan head screws
- Grill-to-cabinet: #8-32 x 1.00" allen screws
- Pole cup-to-cabinet: #10-32 x 0.325" flat head screws
- Rear pick-point: 5/16-18 threaded insert
- Fly track-to-cabinet: 1/4-20 x 1.00" flat head allen screws
- HF waveguide-to-cabinet: #10-32 x 1.00" flat head phillips screws

Fly Track Information:

- Material: Aluminum, high tensile aircraft alloy

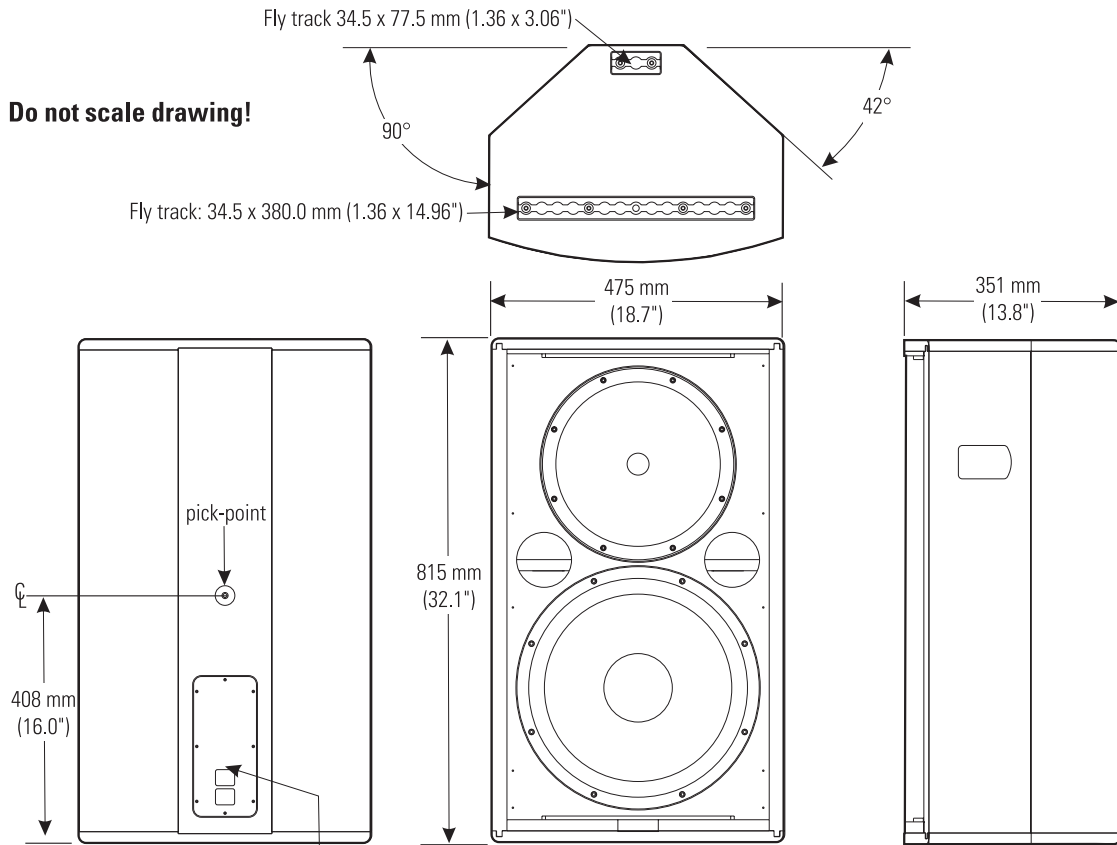


Specifications are subject to change without notice.

EN

ISIS W-152M Dimensions

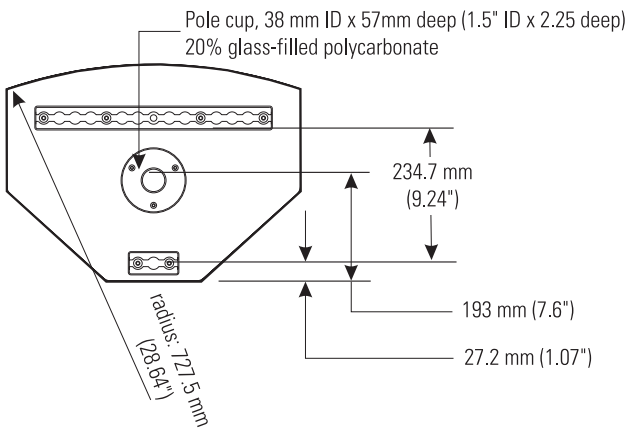
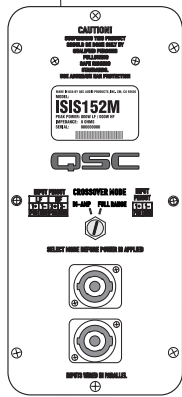
Do not scale drawing!



Shown with protective grill removed.

Connector Plate Detail:

- Model/serial number
- Connector pin-out charts
- Bi-amp/full range switch
- Neutrik® NL4-series Speakon®, 2 places, wired in parallel.



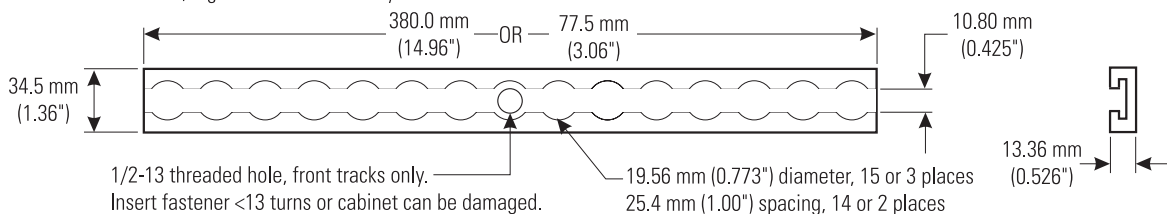
Fastener Information:

All fasteners are SAE American thread, black stainless steel. All fasteners secured with Loctite #242 threadlocker.

- LF driver-to-cabinet: 1/4-20 x 1.00" allen screws
- Connector plate-to-cabinet: #8-32 x 0.325" pan head screws
- Grill-to-cabinet: #8-32 x 1.00" allen screws
- Pole cup-to-cabinet: #10-32 x 0.325" flat head screws
- Rear pick-point: 5/16-18 threaded insert
- Fly track-to-cabinet: 1/4-20 x 1.00" flat head allen screws
- HF waveguide-to-cabinet: #10-32 x 1.00" flat head phillips screws

Fly Track Information:

- Material: Aluminum, high tensile aircraft alloy



Specifications are subject to change without notice.

ISIS 102M and ISIS W-102M Specifications

102M Full Range Specifications (Crossover Mode switch set to Full Range, Passive)

Frequency Range (free field)	Frequency Response (-6 dB)	60-19k Hz
	Usable Frequency Range (-10 dB)	50-20k Hz
Maximum Output		
Calculated Continuous rms Output	118 dB SPL	
Calculated Maximum Peak Output	124 dB SPL	
Continuous Noise Exposure Level	116 dBA SPL	
Impedance		
Nominal	8 ohms	
Minimum	6.7 ohms @ 3 kHz	
Maximum	50 ohms @ 35 Hz	
Power Rating		
rms Power Handling	300 Watts, 100hrs, IEC 268-5, 50-20kHz, 6 dB crest factor	
Recommended Amplifier Power	600 Watts	
Sensitivity		
1 W, 1 m free field	93 dB SPL	
Nominal Coverage, -6 dB	Conical 60°	

Directivity Index & Q

Frequency (Hz)	DI (dB)	Q
500	3.6	2.3
1000	7.7	5.9
2000	9.6	9
4000	10.7	11.7
8000	9.8	9.6
16000	9.3	8.5

102M Bi-Amp Specifications (Crossover Mode switch set to Bi-Amp, LF= low frequency transducer, HF= high frequency transducer)

Frequency Range (free field)	LF	HF
Frequency Response (-6 dB)	70-6.5k Hz	640-17k Hz
Usable (-10 dB)	50-7k Hz	520-19.3k Hz
Maximum Output		
Calculated Continuous rms Output	119 dB SPL	127 dB SPL
Calculated Maximum Peak Output	125 dB SPL	133 dB SPL
Continuous Noise Exposure Level	117 dBA SPL	
Impedance		
Nominal	8 ohms	8 ohms
Minimum	7.9 ohms @ 280 Hz	9.2 ohms @ 3.1 kHz
Maximum	53 ohms @ 35 Hz	67 ohms @ 460 Hz
Power Rating		
rms Power Handling (2 hrs., 6 dB crest factor, within usable freq. range)	300 W	80 W
Recommended Amplifier Power	600 W	160 W
Sensitivity		
1 W, 1 m, free field, within usable freq. range	94 dB	108 dB

102M Bi-Amp with recommended DSP Parameters (QSC DSP configurations are available at the QSC website www.qscaudio.com)

Frequency Range (free field)	Frequency Response (-6 dB)	55-19k Hz	
	Usable (-10 dB)	50-20k Hz	
Nominal Coverage, -6 dB	Conical 60°		
Directivity Index & Q (free field)	Frequency (Hz)	DI (dB)	Q
	500	4	2.5
	1000	9.3	8.6
	2000	13.3	21.6
	4000	10.8	11.9
	8000	9.8	9.6
	6000	9.5	8.9
Physical Weight	Cored Composite:	16.8 kg net, 19.1 kg gross (37 lbs. net, 42 lbs. gross)	
	Wood:	21.3 kg net, 23.6 kg gross (47 lbs. net, 52 lbs. gross)	

Specifications are subject to change without notice.

ISIS 102W and ISIS W-102W Specifications

Full Range Specifications (Crossover Mode switch set to Full Range, Passive)

Frequency Range (free field)	Frequency Response (-6 dB)	60-20k Hz
	Usable Frequency Range (-10 dB)	50-21k Hz
Maximum Output		
Calculated Continuous rms Output	117.5 dB SPL	
Calculated Maximum Peak Output	123.5dB SPL	
Continuous Noise Exposure Level	116 dBA SPL	
Impedance		
Nominal	8 ohms	
Minimum	7.8 ohms @ 180 Hz	
Maximum	50 ohms @ 35 Hz	
Power Rating		
rms Power Handling	300 Watts, 100hrs, IEC 268-5, 50-20kHz, 6 dB crest factor	
Recommended Amplifier Power	600 Watts	
Sensitivity		
1 W, 1 m free field	93 dB SPL	
Nominal Coverage, -6 dB, waveguide as factory mounted	150° horizontal by 50° vertical	

Directivity Index & Q

Frequency (Hz)	DI (dB)	Q
500	4.2	2.6
1000	6.8	4.8
2000	8.9	7.7
4000	10.9	12.4
8000	6.2	4.2
16000	10.7	11.7

Bi-Amp Specifications (Crossover Mode switch set to Bi-Amp, LF= low frequency transducer, HF= high frequency transducer)

Frequency Range (free field)	LF	HF
Frequency Response (-6 dB)	70-6.5k Hz	415- 20.5k Hz
Usable (-10 dB)	50-7k Hz	355-20.7k Hz
Maximum Output		
Calculated Continuous rms Output	120 dB SPL	122 dB SPL
Calculated Maximum Peak Output	126 dB SPL	128 dB SPL
Continuous Noise Exposure Level	119 dBA SPL	
Impedance		
Nominal	8 ohms	8 ohms
Minimum	7.6 ohms @ 330 Hz	7.4 ohms @ 550 Hz
Maximum	56 ohms @ 35 Hz	57.2 ohms @ 855 Hz
Power Rating		
rms Power Handling (2 hrs., 6 dB crest factor, within usable freq. range)	300 W	80 W
Recommended Amplifier Power	600 W	160 W
Sensitivity		
1 W, 1 m, free field, within usable freq. range	94 dB	103 dB

Bi-Amp with recommended DSP Parameters (QSC DSP configurations are available at the QSC website www.qscaudio.com)

Frequency Range (free field)	
Frequency Response (-6 dB)	55-19k Hz
Usable (-10 dB)	45-20k Hz

Directivity Index & Q (free field)

Frequency (Hz)	DI (dB)	Q
500	3.8	2.4
1000	10.3	10.7
2000	6.6	4.6
4000	10.3	10.6
8000	6.4	4.4
6000	10.7	11.7

Physical

Weight	Cored Composite:	16.8 kg net, 19.1 kg gross (37 lbs. net, 42 lbs. gross)
	Wood:	21.3 kg net, 23.6 kg gross (47 lbs. net, 52 lbs. gross)

Specifications are subject to change without notice.

ISIS 122M and ISIS W-122M Specifications

Full Range Specifications (Crossover Mode switch set to Full Range, Passive)

Frequency Range (free field)	Frequency Response (-6 dB)	60-19k Hz
	Usable Frequency Range (-10 dB)	50-20k Hz
Maximum Output		
Calculated Continuous rms Output	120 dB SPL	
Calculated Maximum Peak Output	126 dB SPL	
Continuous Noise Exposure Level	119 dBA SPL	
Impedance		
Nominal	8 ohms	
Minimum	6.8 ohms @ 15k Hz	
Maximum	58 ohms @ 30 Hz	
Power Rating		
rms Power Handling	350 Watts, 100hrs, IEC 268-5, 50-20kHz, 6 dB crest factor	
Recommended Amplifier Power	700 Watts	
Sensitivity		
1 W, 1 m free field	95 dB SPL	
Nominal Coverage, -6 dB	Conical, 60°	

Directivity Index & Q

Frequency (Hz)	DI (dB)	Q
500	4.4	2.8
1000	7.9	6.1
2000	9.5	8.8
4000	12.0	15.7
8000	11.2	13.2
16000	9.6	9.1

Bi-Amp Specifications (Crossover Mode switch set to Bi-Amp, LF= low frequency transducer, HF= high frequency transducer)

Frequency Range (free field)	LF	HF
Frequency Response (-6 dB)	70-3.9k Hz	600-19k Hz
Usable (-10 dB)	50-4k Hz	500-20k Hz
Maximum Output		
Calculated Continuous rms Output	121 dB SPL	127 dB SPL
Calculated Maximum Peak Output	127 dB SPL	133 dB SPL
Continuous Noise Exposure Level	120 dBA SPL	
Impedance		
Nominal	8 ohms	8 ohms
Minimum	7.9 ohms @ 305 Hz	8.5 ohms @ 4k Hz
Maximum	52 ohms @ 32 Hz	69.0 ohms @ 450 Hz
Power Rating		
rms Power Handling (2 hrs., 6 dB crest factor, within usable freq. range)	350 W	80 W
Recommended Amplifier Power	700 W	160 W
Sensitivity		
1 W, 1 m, free field, within usable freq. range	96 dB	108 dB

Bi-Amp with recommended DSP Parameters (QSC DSP configurations are available at the QSC website www.qscaudio.com)

Frequency Range (free field)	
Frequency Response (-6 dB)	55-19k Hz
Usable (-10 dB)	45-20k Hz

Directivity Index & Q (free field)

Frequency (Hz)	DI (dB)	Q
500	4.5	2.8
1000	12.2	16.4
2000	9.7	9.3
4000	12.3	17.7
8000	11.0	12.5
6000	9.8	9.6

Physical

Weight	Cored Composite:	15.4 kg net, 18.6 kg gross (34 lbs. net, 41 lbs. gross)
	Wood:	23.6 kg net, 26.8 kg gross (52 lbs. net, 59 lbs. gross)

Specifications are subject to change without notice.

ISIS 152M and ISIS W-152M Specifications

Full Range Specifications (Crossover Mode switch set to Full Range, Passive)

Frequency Range (free field)	Frequency Response (-6 dB)	55-20k Hz
	Usable Frequency Range (-10 dB)	45-20.7k Hz
Maximum Output		
Calculated Continuous rms Output	120.5 dB SPL	
Calculated Maximum Peak Output	126.5 dB SPL	
Continuous Noise Exposure Level	120 dBA SPL	
Impedance		
Nominal	8 ohms	
Minimum	6.3 ohms @ 16.4k Hz	
Maximum	52 ohms @ 23.6 Hz	
Power Rating		
rms Power Handling	350 Watts, 100hrs, IEC 268-5, 50-20kHz, 6 dB crest factor	
Recommended Amplifier Power	700 Watts	
Sensitivity		
1 W, 1 m free field	95.5 dB SPL	
Nominal Coverage, -6 dB	Conical, 60°	

Directivity Index & Q

Frequency (Hz)	DI (dB)	Q
500	5.7	3.7
1000	8.9	7.7
2000	12.2	52.1
4000	12.3	16.9
8000	10.5	11.2
16000	9.3	8.4

Bi-Amp Specifications (Crossover Mode switch set to Bi-Amp, LF= low frequency transducer, HF= high frequency transducer)

Frequency Range (free field)	LF	HF
Frequency Response (-6 dB)	60-2.6k Hz	630-16k Hz
Usable (-10 dB)	50-3.7k Hz	450-20.7k Hz
Maximum Output		
Calculated Continuous rms Output	121 dB SPL	127 dB SPL
Calculated Maximum Peak Output	127 dB SPL	133 dB SPL
Continuous Noise Exposure Level	120 dBA SPL	
Impedance		
Nominal	8 ohms	8 ohms
Minimum	7.8 ohms @ 55 Hz	9.2 ohms @ 5.1k Hz
Maximum	40 ohms @ 25 Hz	77 ohms @ 440 Hz
Power Rating		
rms Power Handling (2 hrs., 6 dB crest factor, within usable freq. range)	350 W	80 W
Recommended Amplifier Power	700 W	160 W
Sensitivity		
1 W, 1 m, free field, within usable freq. range	96 dB	108 dB

Bi-Amp with recommended DSP Parameters (QSC DSP configurations are available at the QSC website www.qscaudio.com)

Frequency Range (free field)	Frequency Response (-6 dB)	50-20k Hz	
	Usable (-10 dB)	45-21k Hz	
Directivity Index & Q (free field)	Frequency (Hz)	DI (dB)	Q
	500	5.1	3.4
	1000	12.0	16.0
	2000	9.6	9.1
	4000	12.9	19.7
	8000	10.5	11.2
	6000	9.3	8.4
Physical Weight	Cored Composite:	22.2 kg net, 25.4 kg gross (49 lbs. net, 56 lbs. gross)	
	Wood:	28.1 kg net, 31.3 kg gross (62 lbs. net, 69 lbs. gross)	

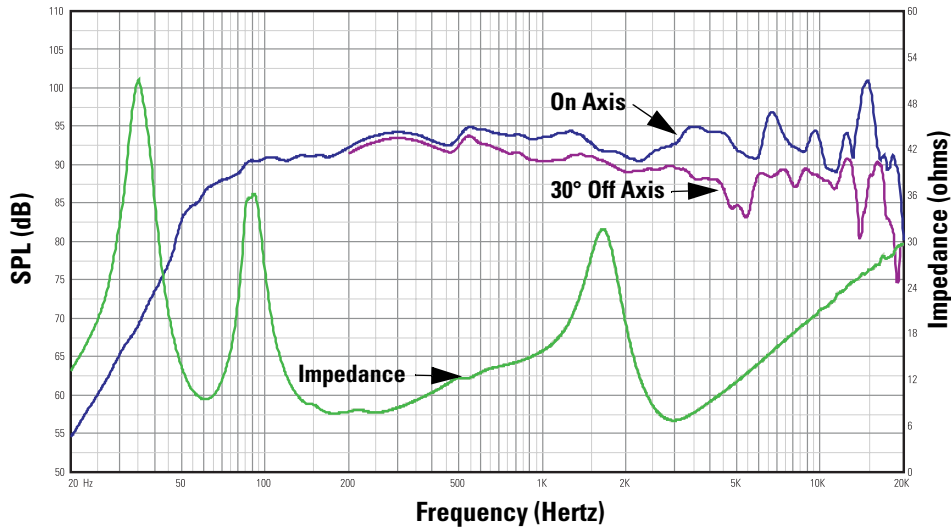
Specifications are subject to change without notice.

This page is intentionally blank so that each model's performance curves appear on facing pages.

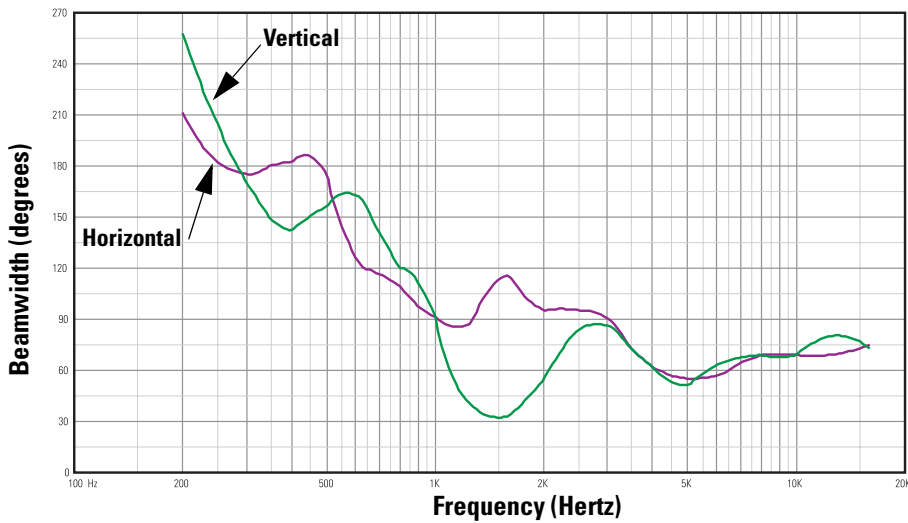
EN

ISIS 102M Performance Curves (ISIS W-102M similar)

ISIS 102M Full Range (passive) Setting, Response and Impedance vs. Frequency

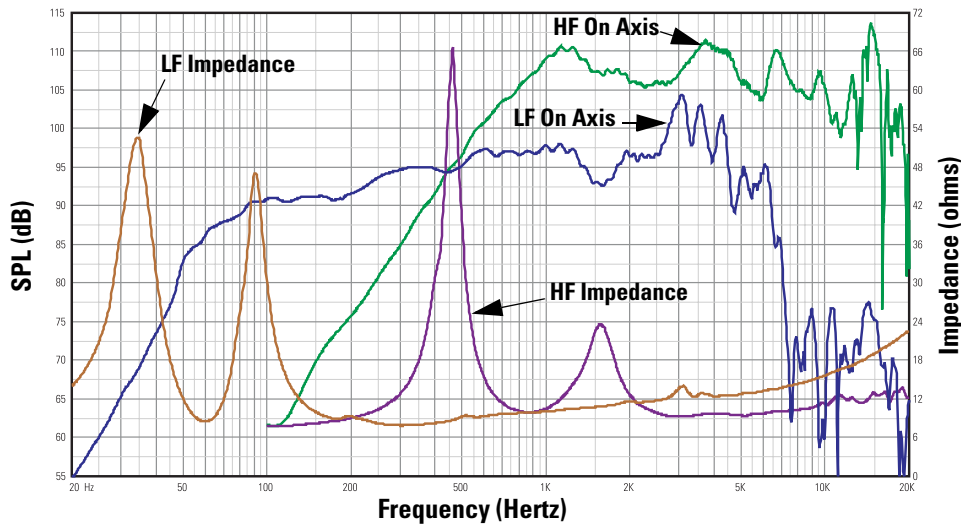


ISIS 102M Full Range (passive) Setting, Horizontal and Vertical Beamwidth vs. Frequency



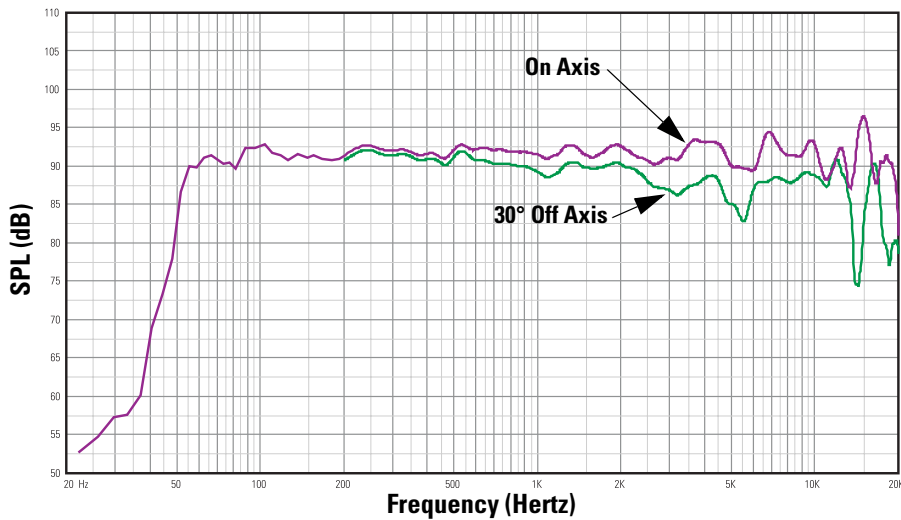
ISIS 102M Performance Curves (ISIS W-102M similar)

ISIS 102M Bi-Amp Setting, Individual Driver Response and Impedance vs. Frequency

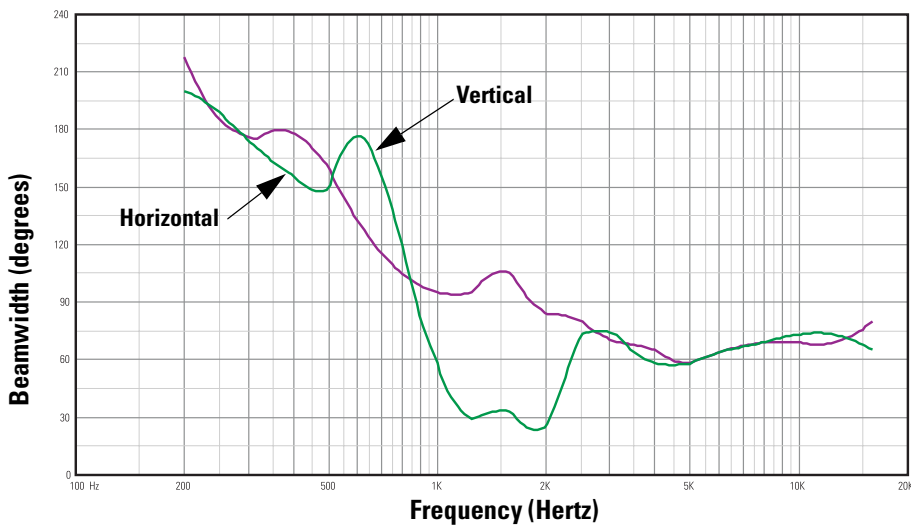


EN

ISIS 102M Bi-Amp Setting, Response vs. Frequency with Recommended Signal Processing¹



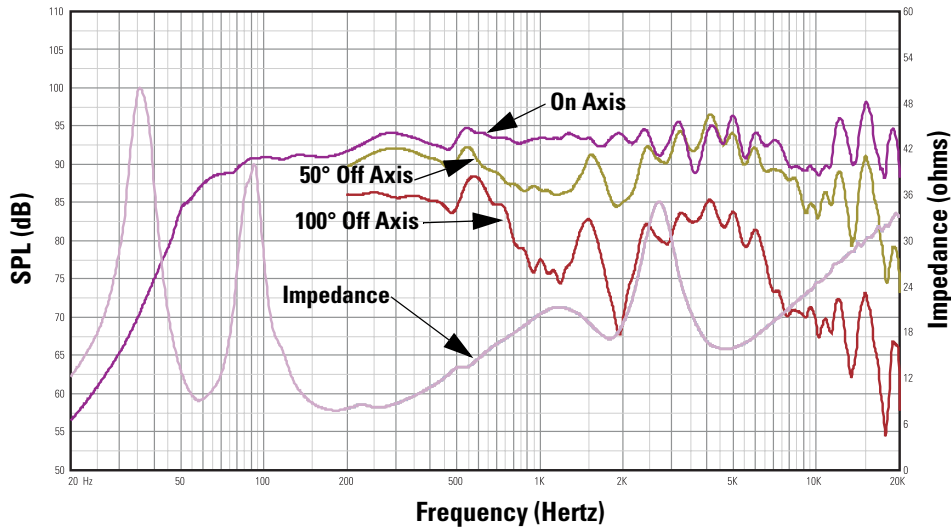
ISIS 102M Bi-Amp Setting, Beamwidth vs. Frequency with Recommended Signal Processing¹



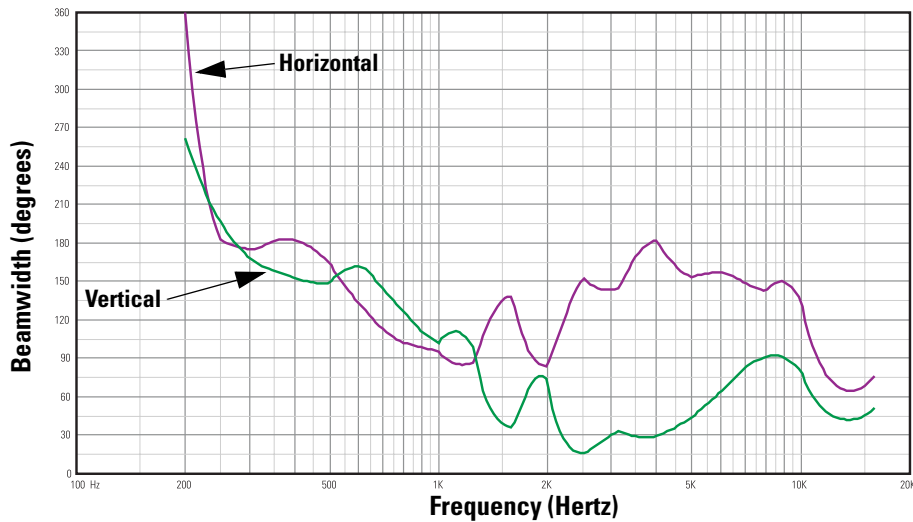
(1) QSC DSP configurations with the recommended signal processing are available at <http://www.qscaudio.com>

ISIS 102W Performance Curves (ISIS W-102W similar)

ISIS 102W Full Range (passive) Setting, Response and Impedance vs. Frequency



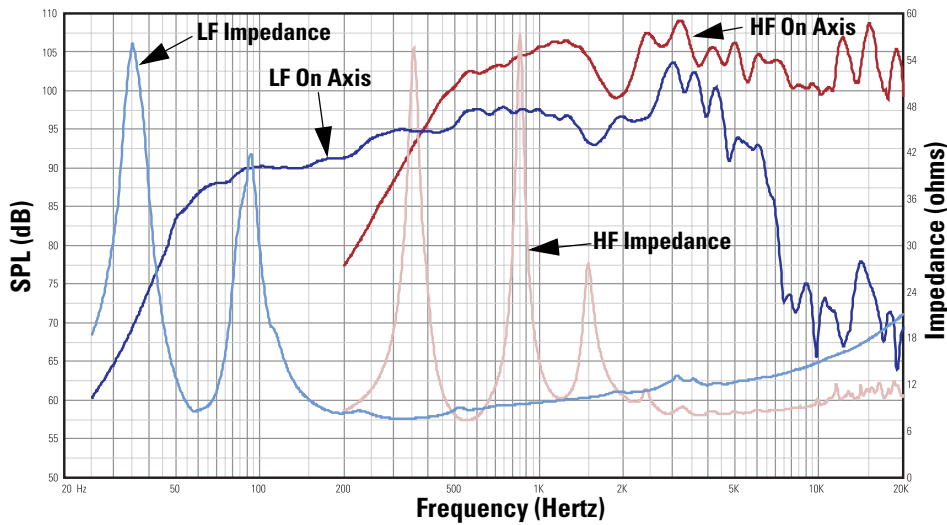
ISIS 102W Full Range (passive) Setting, Horizontal and Vertical Beamwidth vs. Frequency



EN

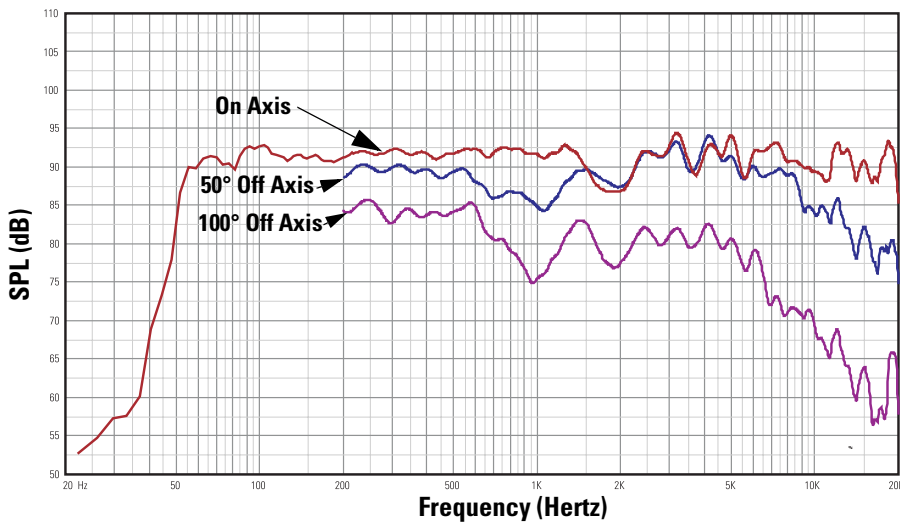
ISIS 102W Performance Curves (ISIS W-102W similar)

ISIS 102W Bi-Amp Setting, Individual Driver Response and Impedance vs. Frequency

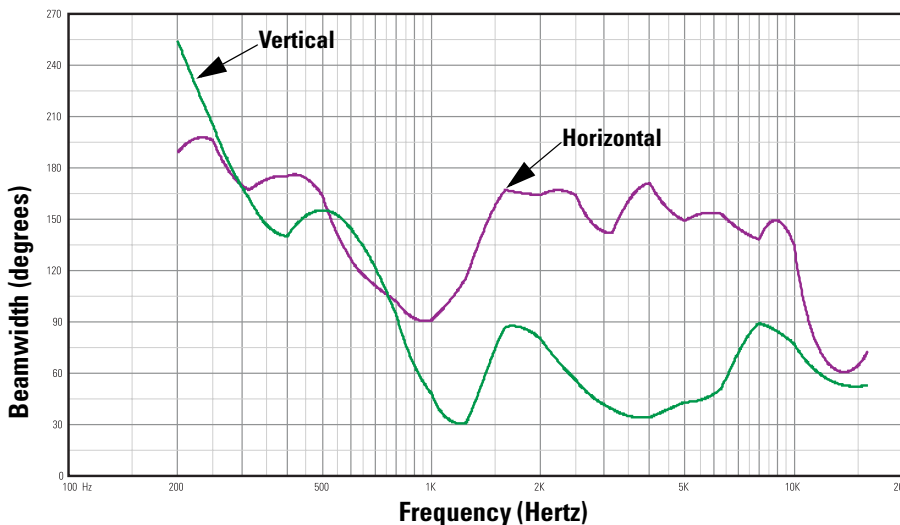


EN

ISIS 102W Bi-Amp Setting, Response vs. Frequency with Recommended Signal Processing¹



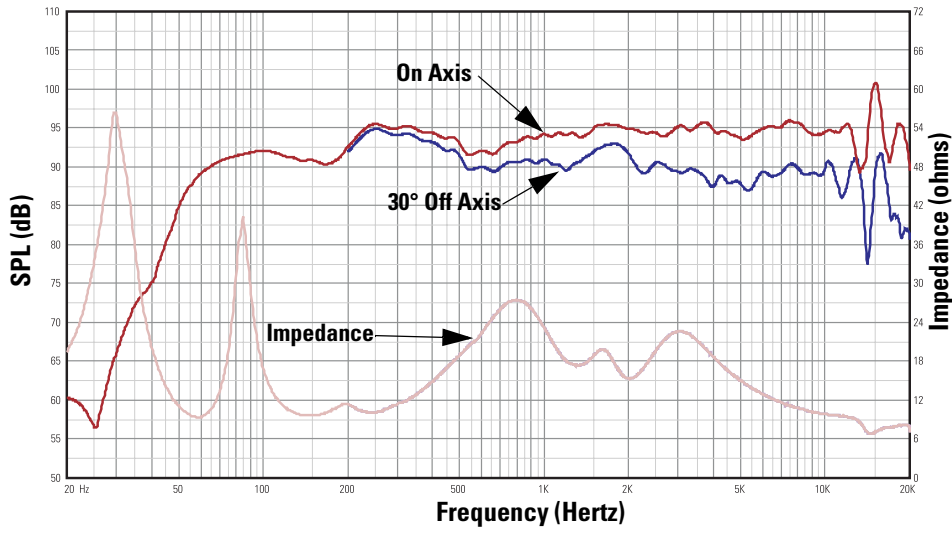
ISIS 102W Bi-Amp Setting, Beamwidth vs. Frequency with Recommended Signal Processing¹



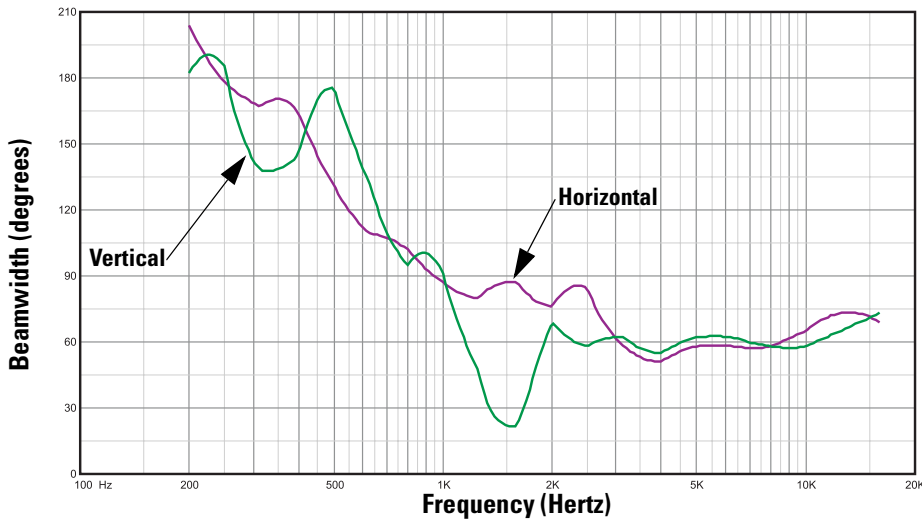
(1) QSC DSP configurations with the recommended signal processing are available at <http://www.qscaudio.com>

ISIS 122M Performance Curves (ISIS W-122M similar)

ISIS 122M Full Range (passive) Setting, Response and Impedance vs. Frequency



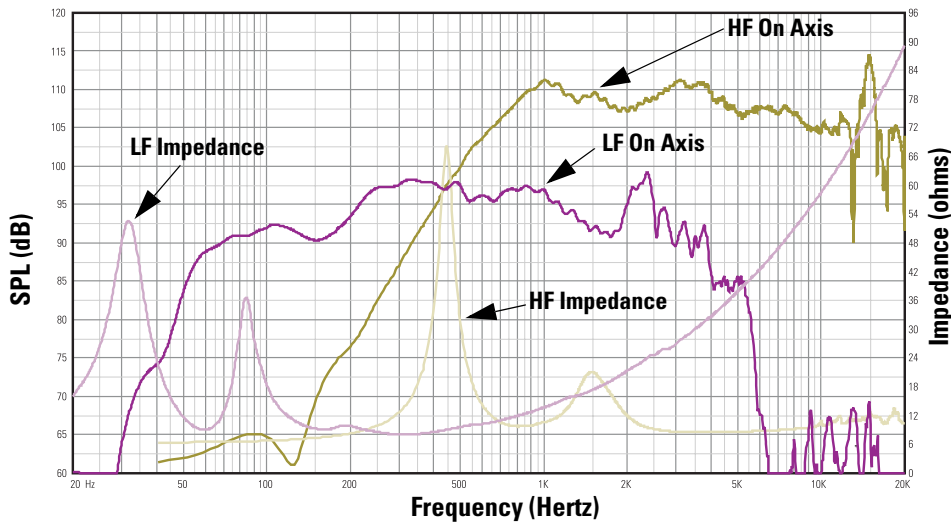
ISIS 122M Full Range (passive) Setting, Horizontal and Vertical Beamwidth vs. Frequency



EN

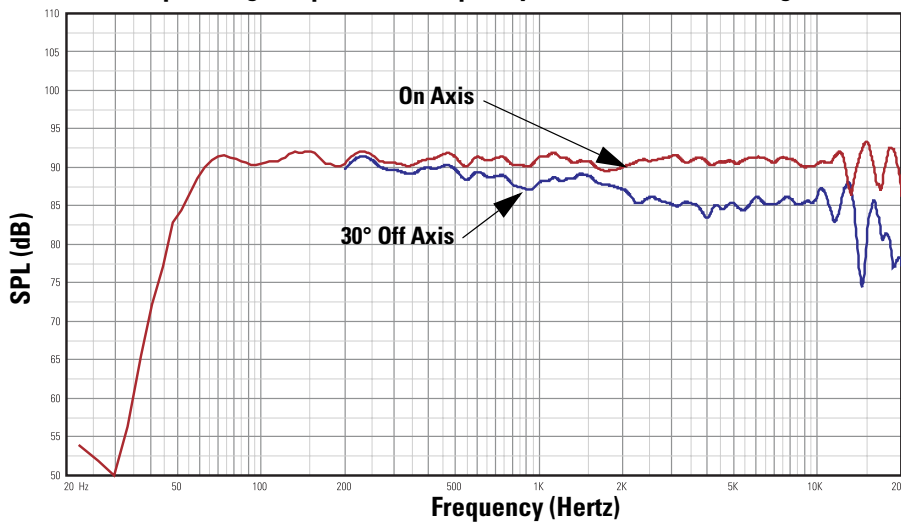
ISIS 122M Performance Curves (ISIS W-122M similar)

ISIS 122M Bi-Amp Setting, Individual Driver Response and Impedance vs. Frequency

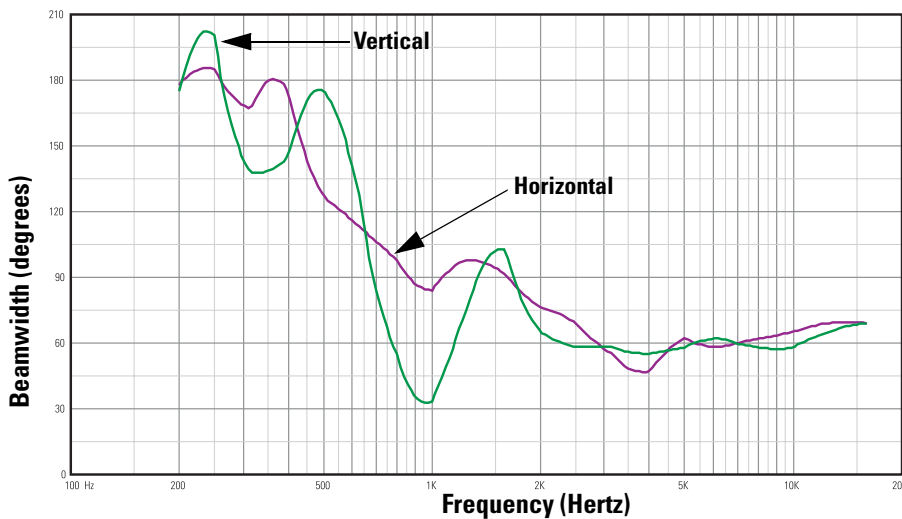


EN

ISIS 122M Bi-Amp Setting, Response vs. Frequency with Recommended Signal Processing¹



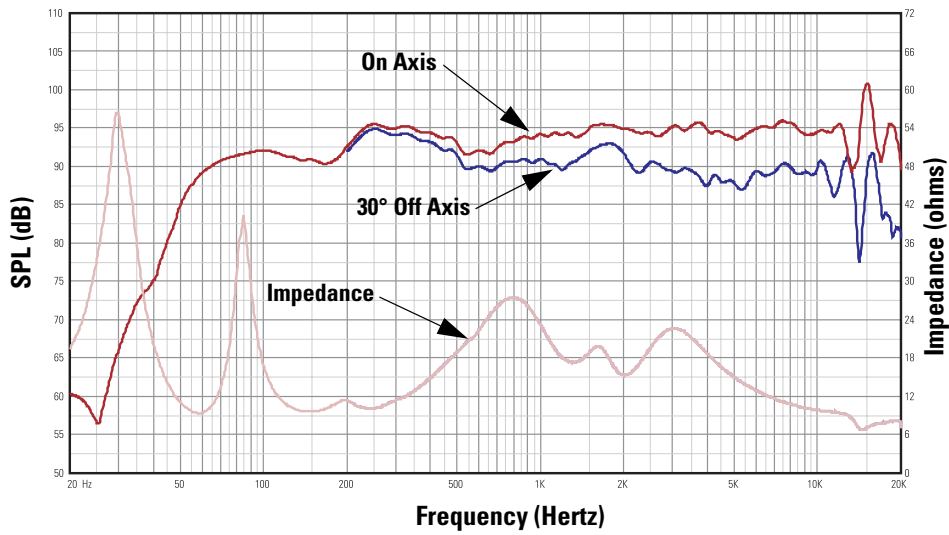
ISIS 122M Bi-Amp Setting, Beamwidth vs. Frequency with Recommended Signal Processing¹



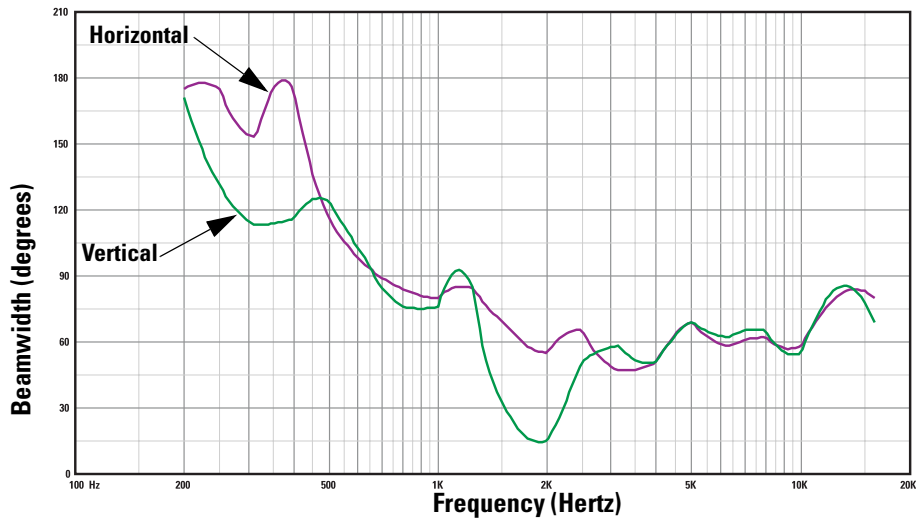
(1) QSC DSP configurations with the recommended signal processing are available at <http://www.qscaudio.com>

ISIS 152M Performance Curves (ISIS W-152M similar)

ISIS 152M Full Range (passive) Setting, Response and Impedance vs. Frequency



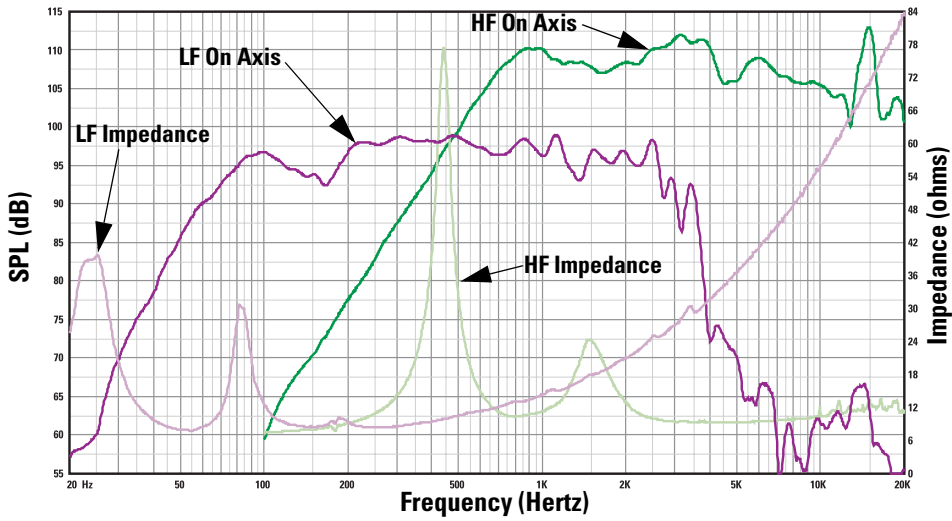
ISIS 152M Full Range (passive) Setting, Horizontal and Vertical Beamwidth vs. Frequency



EN

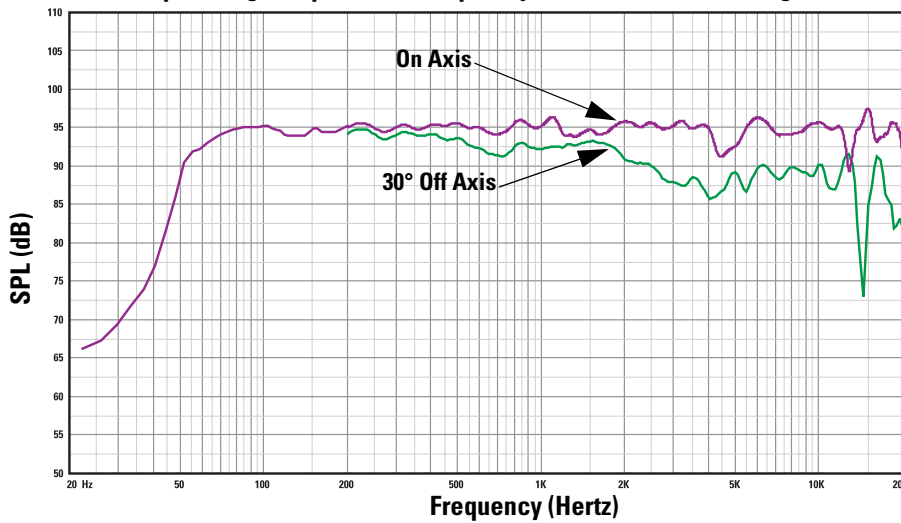
ISIS 152M Performance Curves (ISIS W-152M similar)

ISIS 152M Bi-Amp Setting, Individual Driver Response and Impedance vs. Frequency

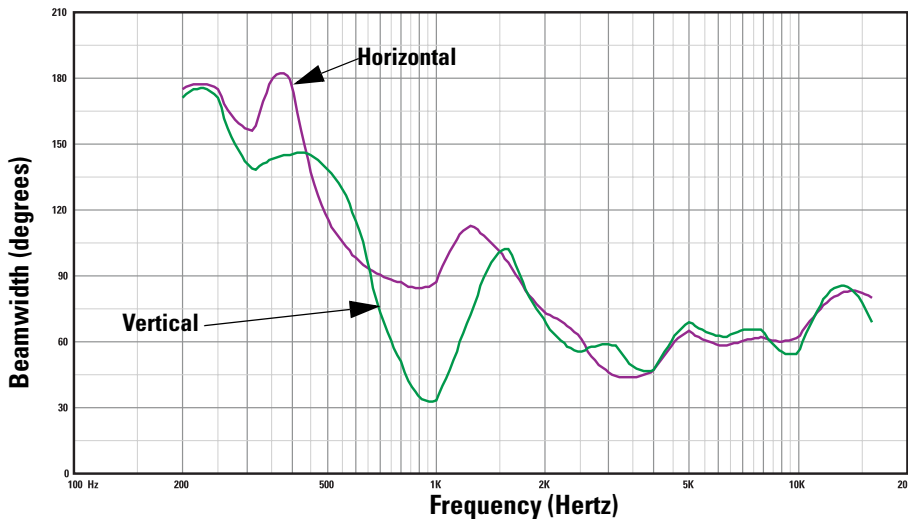


EN

ISIS 152M Bi-Amp Setting, Response vs. Frequency with Recommended Signal Processing¹



ISIS 152M Bi-Amp Setting, Beamwidth vs. Frequency with Recommended Signal Processing¹



(1) QSC DSP configurations with the recommended signal processing are available at <http://www.qscaudio.com>

Notes:

EN

How to Contact QSC Audio Products

Cómo comunicarse con QSC Audio Products

Comment prendre contact avec QSC Audio Products

Kontaktinformationen für QSC Audio Products

联系 QSC Audio Products

Mailing address: QSC Audio Products, Inc.
1675 MacArthur Boulevard
Costa Mesa, CA 92626-1468 USA

Telephone Numbers: Main Number (714) 754-6175
Sales & Marketing (714) 957-7100 or toll free (USA only) (800) 854-4079
Customer Service(714) 957-7150 or toll free (USA only) (800) 772-2834

Facsimile Numbers: Sales & Marketing FAX(714) 754-6174
Customer Service FAX(714) 754-6173

World Wide Web: www.qscaudio.com

E-mail: info@qscaudio.com
service@qscaudio.com



QSC Audio Products, Inc. 1675 MacArthur Boulevard Costa Mesa, California 92626 USA
"QSC" and the QSC logo are registered with the U.S. Patent and Trademark Office.
©2003 QSC Audio Products, Inc.

Free Manuals Download Website

<http://myh66.com>

<http://usermanuals.us>

<http://www.somanuals.com>

<http://www.4manuals.cc>

<http://www.manual-lib.com>

<http://www.404manual.com>

<http://www.luxmanual.com>

<http://aubethermostatmanual.com>

Golf course search by state

<http://golfingnear.com>

Email search by domain

<http://emailbydomain.com>

Auto manuals search

<http://auto.somanuals.com>

TV manuals search

<http://tv.somanuals.com>