

Features

- Four-way selectable, tri or quad- amplified screen channel system
- Unique HF/VHF diaphragm has less mass than traditional diaphragms resulting in exceptional dynamic range, extended high frequency response and lower distortion
- LF-4115 is constructed of MDF and is heavily braced
- Low-distortion waveguides provide highly articulate dialogue
- Shallow depth (20") facilitates installation
- THX™ approved for professional cinema applications



THX

Developed specifically for the unique requirements of professional motion picture playback, the SC-414 extends QSC's commitment to the cinema market. As a member of the DCS Digital Cinema Speaker Series, the SC-414 is a four-way, selectable tri or quad-amplified screen channel loudspeaker system comprised of two main units – the MHV-1090 mid-high-very high-frequency system and the LF-4115 low-frequency system.

The MHV-1090 mid-high-very high system features a high output, horn loaded 10" midrange cone driver and a coaxial neodymium high-frequency/very high-frequency compression driver. The MHV-1090 includes a driver protection network and a passive crossover for tri-amp operation. The protection circuitry prevents low-frequency signals from damaging the high-frequency and very high-frequency driver. A high power 10" cone driver allows operation as low as 250 Hz and the advanced phase plug coupling permits a crossover point of up to 1800 Hz to the high-frequency horn. This ensures that most of the dialog range is reproduced by a single element for unmatched intelligibility.

The coaxial neodymium high-frequency/very high-frequency compression driver provides a dramatic improvement in dynamic response, clarity and transparency. The annular high-frequency diaphragm covers the frequency range between 1800 and 7000 Hz with a smooth, linear response. The large diaphragm excursion of +/-0.8 mm results in high output and increased power handling. The very high-frequency driver covers the frequency range from 7,000 to 22,000 Hz and eliminates the dome break up of conventional drivers that can cause resonance and harsh, metallic sound.

The LF-4115 single 15" (381 mm) low-frequency enclosure is designed specifically to address the extended low-frequency response required for cinema applications. The LF-4115 covers the frequency range from 35 Hz to 250 Hz.

The SC-414 is designed for ease of installation. The MHV-1090 components come pre-assembled to reduce field assembly time. Three bolts are all that are required to secure the MHV-1090 to the top of the LF-4115 enclosure.

THX is a trademark of THX Ltd.

Specifications

SC-414

Nominal Coverage	90° horizontal x +20 to -30° vertical
Frequency Range (-6 dB)	33 - 20 kHz
Active Crossover Frequencies	250, 1700 and 6000 Hz, 24 dB per octave

LF-4115

MH-1090

Impedance	4Ω	MF: 8Ω HF: 8Ω VHF: 8Ω
Sensitivity 1 watt/1 meter, half space	93.5 dB	Tri-amp MF: 105 dB HF/VHF: 110 dB Quad-amp MF: 105 dB HF: 110 dB VHF: 110 dB

Maximum Input Power ¹			
8 hours of 6 db crest factor IEC 268 noise spectrum	400 W RMS	MF: 275 W RMS HF/VHF: 230 W RMS	MF: 275 W RMS HF: 150 W RMS VHF: 80 W RMS

2 hours of 6 db crest factor pink noise, 50 Hz - 20 kHz, AES method	500 W RMS	MF: 800 W RMS HF/VHF: 500 W RMS maximum
---	-----------	---

Recommended Amplifier Power	800 W RMS maximum	MF: 800 W RMS HF: 500 W RMS VHF: 300 W RMS maximum
-----------------------------	-------------------	--

Recommended Processing	Subsonic filter below 30 Hz, >18 dB per octave	4th order LR crossover at 250, 1700 and 6000 Hz via QSC DCM or QSCControl.net
------------------------	--	---

Connectors	Barrier strip screw terminals accept up to #10 AWG stranded wire		
------------	--	--	--

Transducers	One 15" (381 mm) high efficiency, extended bass woofer featuring a 4" copper voice coil	MF: 10" high-efficiency, horn-loaded cone with phase plug HF/VHF: coaxial neodymium compression driver with 3.5" (90 mm) HF diaphragm and 1.75" (44 mm) VHF diaphragm
-------------	---	---

Enclosure	Quasi B4 alignment, ported enclosure with fully flared ports, symmetrical port design, tuned to 36 Hz, constructed of MDF and heavily braced. Features vandal resistant woofer mounting bolts	Tilt/Pan Bracket ±10° vertical tilt ±10° horizontal pan
-----------	---	---

Dimensions (HWD)	18.5" x 30" x 20.3" (470 mm x 762 mm x 516 mm)	39" x 30" x 20" (990 mm x 762 mm x 508 mm)
------------------	--	--

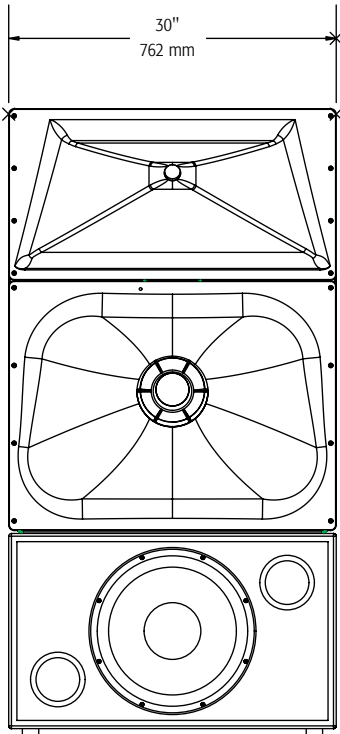
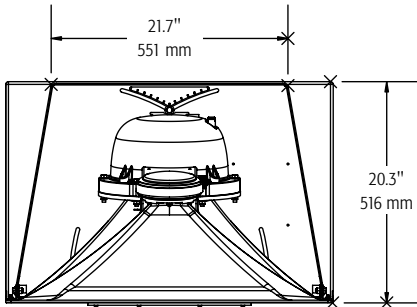
Weight - Net	83 lbs (38 kg)	84 lbs (38.5 kg)
--------------	----------------	------------------

System Weight	167 lbs (76.5 kg)	
---------------	-------------------	--

Baffle Cut-Out	58.75" x 32"	
----------------	--------------	--

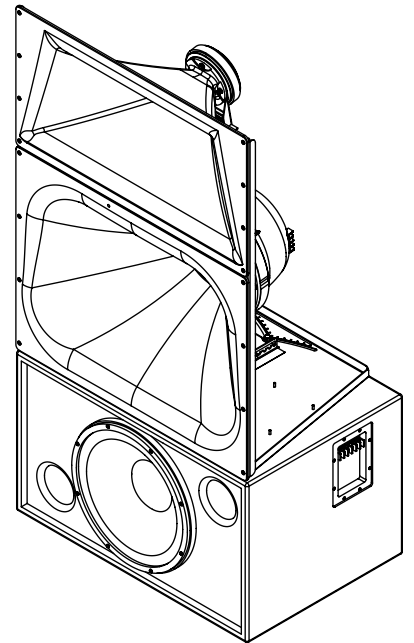
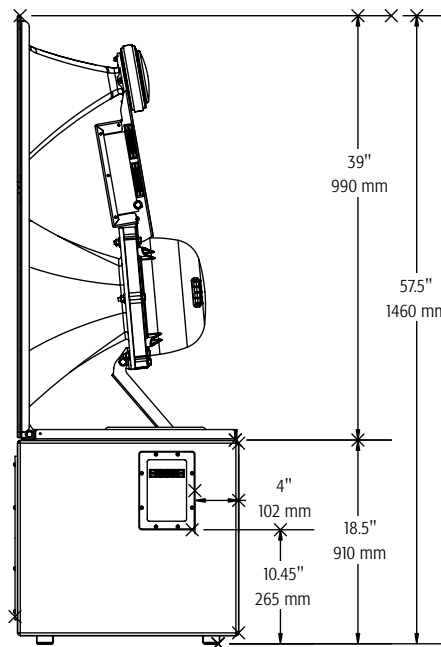
¹) Maximum input power tested in accordance with IEC 268-5 recommendations, 50 Hz - 20 kHz band limiting, 6 dB signal crest factor.

Top



Front

Side



Specifications subject to change without notice.

Free Manuals Download Website

<http://myh66.com>

<http://usermanuals.us>

<http://www.somanuals.com>

<http://www.4manuals.cc>

<http://www.manual-lib.com>

<http://www.404manual.com>

<http://www.luxmanual.com>

<http://aubethermostatmanual.com>

Golf course search by state

<http://golfingnear.com>

Email search by domain

<http://emailbydomain.com>

Auto manuals search

<http://auto.somanuals.com>

TV manuals search

<http://tv.somanuals.com>