



1675 MacArthur Blvd., Costa Mesa, CA, 92626 USA
 Main Number (714) 754-6175 Sales & Marketing (714) 957-7100 or toll free (USA only) (800) 854-4079
 Customer Service (714) 957-7150 or toll free (USA only) (800) 772-2834

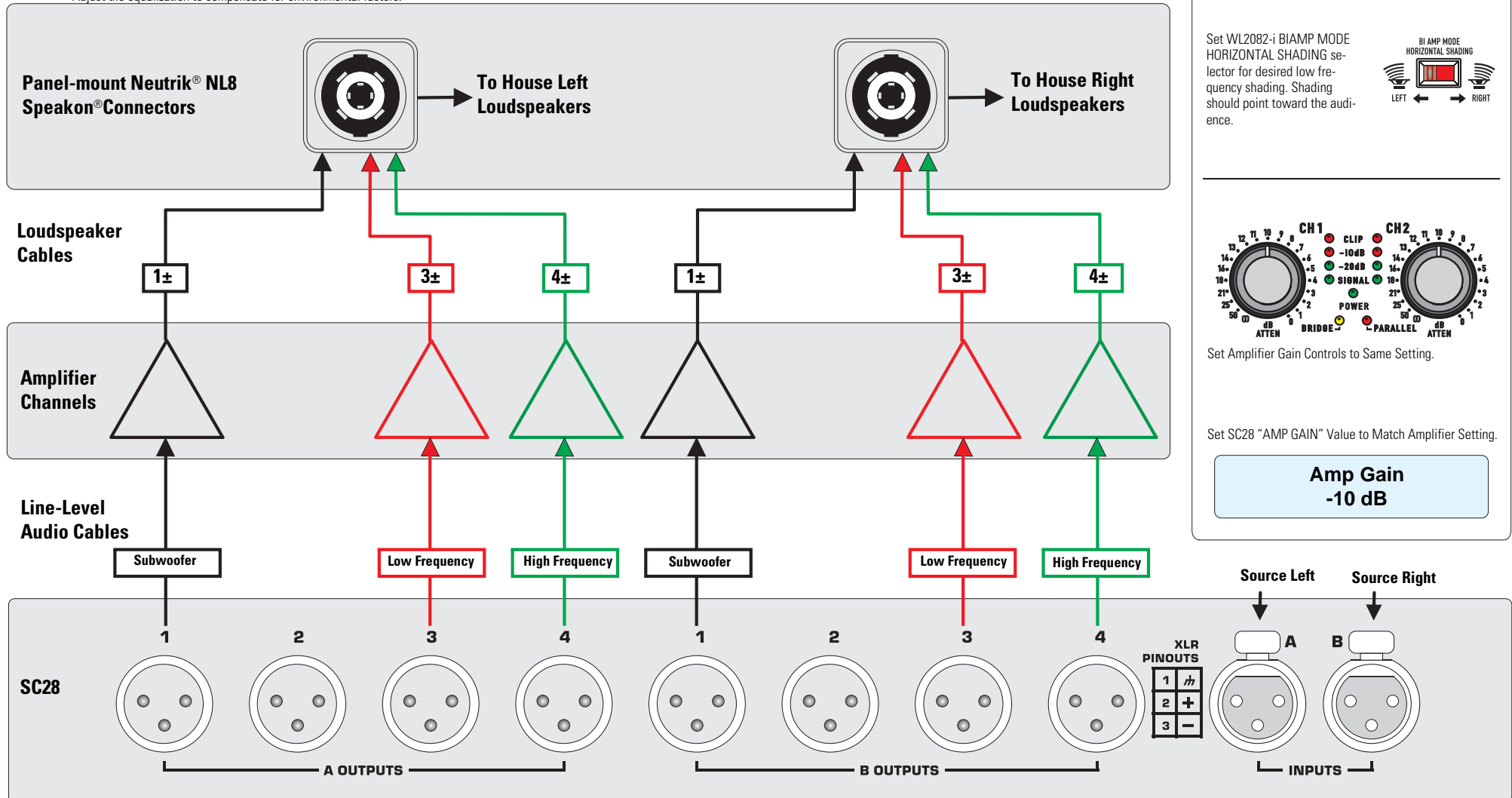
SC28 Biamp Connection Diagram for QSC's ILA Loudspeaker System (WL2082-i)

In the Setup Menu...

- In the **Input Sens** menu, set the input sensitivity to correspond with expected audio source levels.
- In the **Array Config** menu, select the crossover type as **ILA 2way**.
- In the **Array Size** menu, select the number of enclosures in each array.
- In the **Total Splay** menu, select the total of all the splay angles between the enclosures in each array. For more info go to http://www.qscaudio.com/products/dsp/sc28/sc28_array_compensation_eq.pdf
- In the **Subwoofer** menu, select the appropriate QSC sub, "None" for no sub, or "Bypass/Thru" to use an external crossover and EQ for the sub.
 - If the system includes subwoofers...
 - In the **Sub Management** menu, configure the subwoofers as **Stereo** or **Summed Mono**.
 - In the **Sub Gain** menu, adjust the level to compensate for the use of more or fewer subwoofers than a typical system.
 - In the **Sub Delay** and **Array Delay** menus, you may add alignment delays if necessary. If the array is suspended below the subwoofer, the Sub Delay and Array Delay should be the same. If the array is suspended in front of the subwoofer, the Array Delay should be 3.0 ms greater than the Sub Delay setting.
- In the **Limiters** menu, configure the output limiters to protect the loudspeakers or for clip limiting only of the SC28 output. *Disabling the loudspeaker protection is not recommended.*
- In the **Out Amp** menus, select the QSC amplifier attached to each output.
- In the **Out Amp Cfg** menus, select whether each amplifier is configured as **Stereo** or **Bridge Mono**.
- In the **Amp Gain** menu, select the gain to match the gain control settings of the amplifiers connected to the outputs. All amplifiers must be set to the same value.

In the EQ Menu...

- Adjust the equalization to compensate for environmental factors.

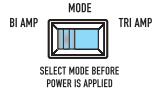


Setup Highlights:

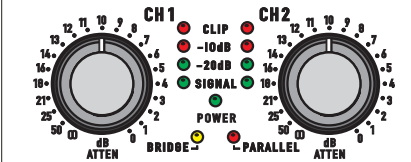
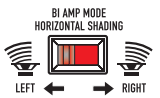
In the SC28's "Setup Menu", select:

Array Config ILA 2way

Set WL2082-1 MODE selector to BIAMP.



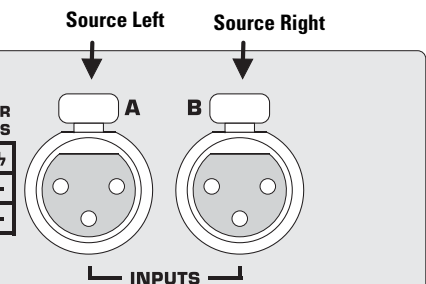
Set WL2082-i BIAMP MODE HORIZONTAL SHADING selector for desired low frequency shading. Shading should point toward the audience.



Set Amplifier Gain Controls to Same Setting.

Set SC28 "AMP GAIN" Value to Match Amplifier Setting.

Amp Gain -10 dB



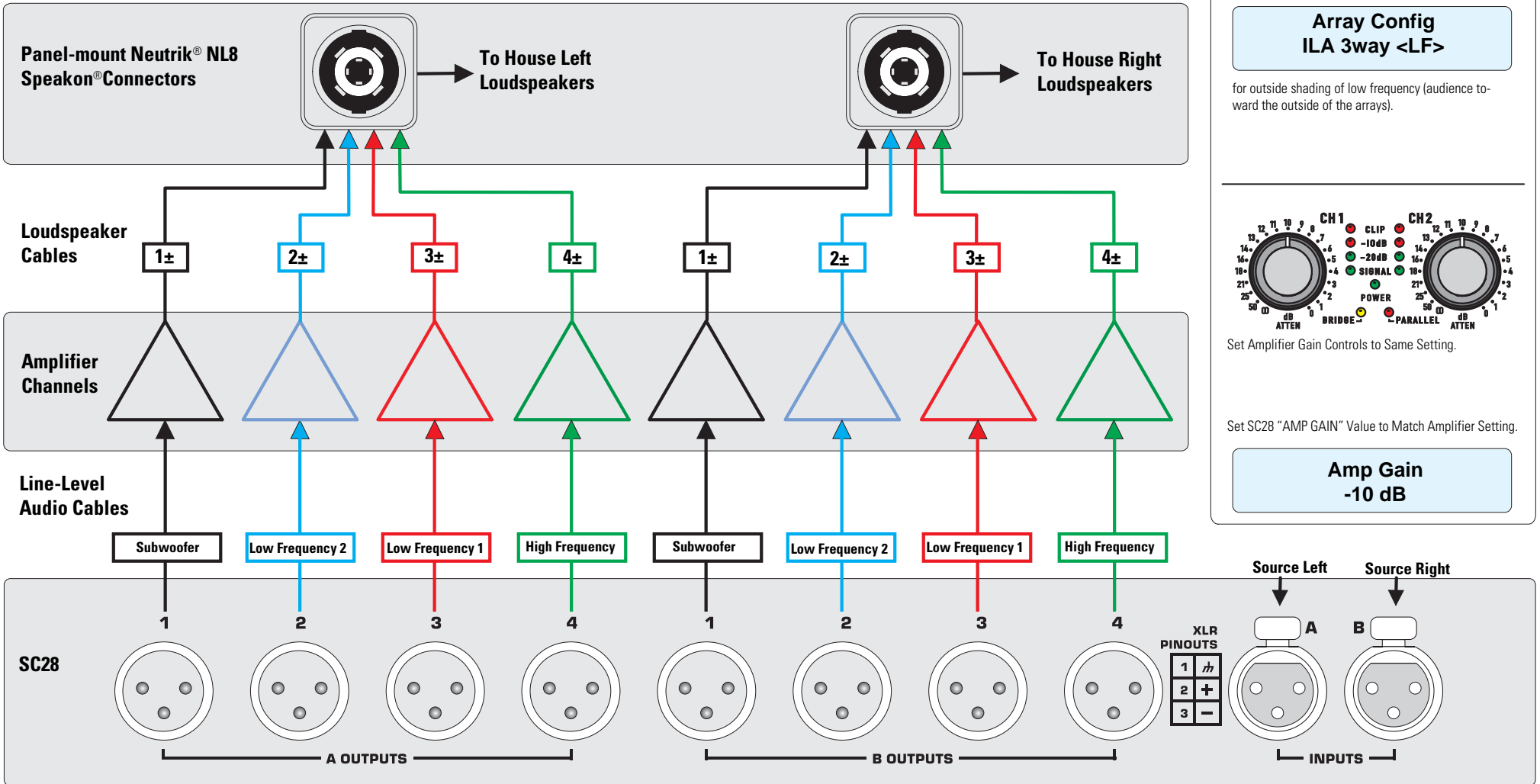
SC28 Triamp Connection Diagram for QSC's ILA Loudspeaker System (WL2082-i)

In the Setup Menu...

- In the **Input Sens** menu, set the input sensitivity to correspond with expected audio source levels.
- In the **Array Config** menu, select the crossover type as **ILA 3way >LF<** for inside shading of low frequencies or **ILA 3way <LF>** for outside shading of low frequencies.
- In the **Array Size** menu, select the number of enclosures in each array.
- In the **Total Splay** menu, select the total of all the splay angles between the enclosures in each array. For more info go to http://www.qscaudio.com/products/dsp/sc28/sc28_array_compensation_eq.pdf
- In the **Subwoofer** menu, select the appropriate QSC sub, "None" for no sub, or "Bypass/Thru" to use an external crossover and EQ for the sub.
 - If the system includes subwoofers...
 - In the **Sub Management** menu, configure the subwoofers as **Stereo** or **Summed Mono**.
 - In the **Sub Gain** menu, adjust the level to compensate for the use of more or fewer subwoofers than a typical system.
 - In the **Sub Delay** and **Array Delay** menus, you may add alignment delays if necessary. If the array is suspended below the subwoofer, the Sub Delay and Array Delay should be the same. If the array is suspended in front of the subwoofer, the Array Delay should be 3.0 ms greater than the Sub Delay setting.
- In the **Limiters** menu, configure the output limiters to protect the loudspeakers or for clip limiting only of the SC28 output. *Disabling the loudspeaker protection is not recommended.*
- In the **Out Amp** menus, select the QSC amplifier attached to each output.
- In the **Out Amp Cfg** menus, select whether each amplifier is configured as **Stereo** or **Bridge Mono**.
- In the **Amp Gain** menu, select the gain to match the gain control settings of the amplifiers connected to the outputs. All amplifiers must be set to the same value.

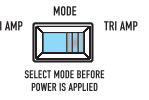
In the EQ Menu...

- Adjust the equalization to compensate for environmental factors.



Setup Highlights:

Set WL2082-1 MODE selector to TRIAMP.



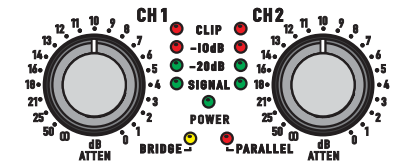
On the SC28, select:

**Array Config
ILA 3way >LF<**

for inside shading of low frequency (audience between the arrays) OR...

**Array Config
ILA 3way <LF>**

for outside shading of low frequency (audience toward the outside of the arrays).



Set Amplifier Gain Controls to Same Setting.

Set SC28 "AMP GAIN" Value to Match Amplifier Setting.

**Amp Gain
-10 dB**



TD-000240-00 revD

Free Manuals Download Website

<http://myh66.com>

<http://usermanuals.us>

<http://www.somanuals.com>

<http://www.4manuals.cc>

<http://www.manual-lib.com>

<http://www.404manual.com>

<http://www.luxmanual.com>

<http://aubethermostatmanual.com>

Golf course search by state

<http://golfingnear.com>

Email search by domain

<http://emailbydomain.com>

Auto manuals search

<http://auto.somanuals.com>

TV manuals search

<http://tv.somanuals.com>