

### Features

- Passive, 2-way, screen channel system
- SC-312X provides 90° horizontal by +15° to -35° vertical coverage
- Low distortion waveguide provides highly articulate dialogue
- Shallow depth (20") facilitates installation



Developed specifically for the unique requirements of professional motion picture playback, the SC-312X extends QSC's commitment to the cinema market. As a member of the DCS Digital Cinema Speaker Series, the SC-312X is a passive, 2-way, screen channel loudspeaker system comprised of two main units—the HF-63X1 high frequency system and the LF-3115 low-frequency system.

The HF-63X1 high-frequency system features a 2.5" (63mm) titanium diaphragm compression driver mounted on a custom designed high frequency cinema horn with an adjustable pan and tilt bracket. The HF-63X1 includes a driver protection and equalization network. DC blocking capacitors protect against DC or low-frequency signals that would likely destroy an unprotected driver. Power limiter circuitry protects the driver from overpowering and a response correction filter smoothes the frequency response of the horn/driver combination. The driver and equalization network provides for more reliable operation, ensuring the show will go on.

The LF-3115 15" (381mm) low-frequency enclosure is designed specifically to address the extended low-frequency response required for cinema applications. The LF-3115 covers the frequency range from 35 Hz to 1000 Hz, depending upon the high-frequency system requirements.

The SC-312X is designed for ease of installation. The HF-63X1 components come pre-assembled to reduce field assembly time. Three bolts are all that are required to secure the HF-63X1 to the top of the LF-3115 enclosure.

### Specifications

#### SC-312X

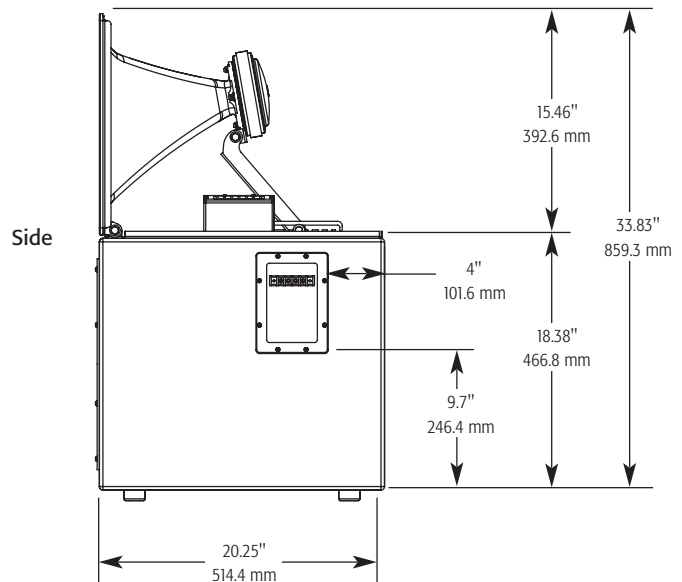
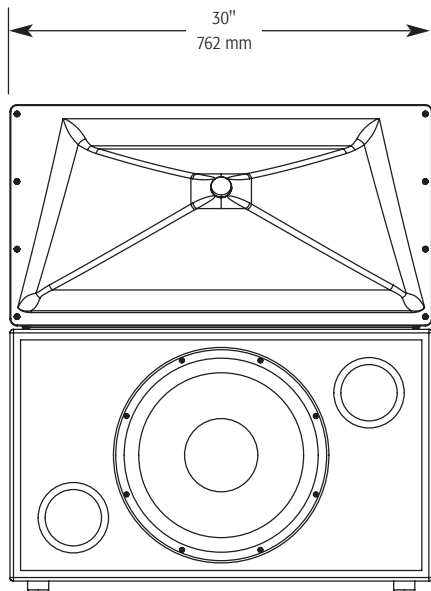
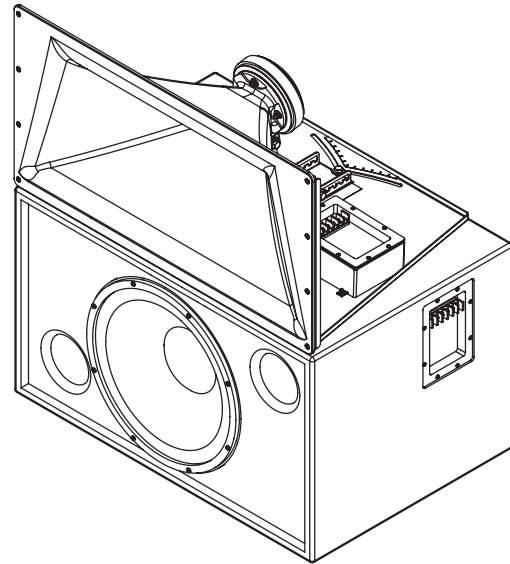
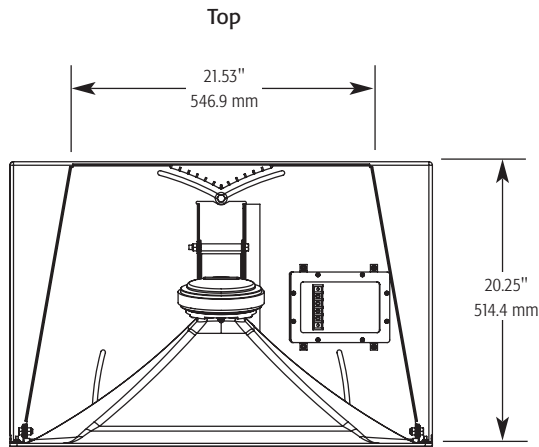
Nominal Coverage	90° horizontal x +15 to -35° vertical	
Frequency Range	33 Hz – 16 kHz (-6 dB)	
Impedance	8Ω	
Sensitivity 1 watt/1 meter, half space	95 dB	
Maximum Input Power <sup>1</sup>		
2 hours of 6 db crest factor pinknoise, 50 Hz – 20 kHz, AES method	150 W RMS	
Recommended Amplifier Power	300 W RMS maximum	
Recommended Processing	Subsonic filter below 30 Hz, > 18 dB per octave	

#### LF-3115

#### HF-63X1

Connectors	Barrier strip screw terminals accept up to #10 AWG stranded wire	Barrier strip screw terminals accept up to #10 AWG stranded wire
Transducers	One 15" (381mm) high efficiency, extended bass woofer featuring a 3" copper voice coil	1.5" (38mm) exit, 2.5" titanium diaphragm compression driver
Enclosure	Quasi B4 alignment, ported enclosure with fully flared ports, symmetrical port design, tuned to 36 Hz, constructed of MDF and heavily braced. Features vandal resistant woofer mounting bolts	Tilt/Pan Bracket ±10° vertical tilt ±10° horizontal pan
Dimensions (HWD)	18.5" x 30" x 20.3" (470 mm x 762 mm x 516 mm)	16" x 30" x 20" (406 mm x 762 mm x 508 mm)
Weight – Net	83 lb (38 kg)	40 lb (18.4 kg)
System Weight	123 lb (56.4 kg)	
Baffle Cut-Out	35.5" x 32"	

<sup>1)</sup> Maximum input power tested in accordance with IEC 268-5 recommendations, 50 Hz – 20 kHz band limiting, 6 dB signal crest factor.



Front

Specifications subject to change without notice.

QSC and the QSC logo are registered trademarks of QSC Audio Products, LLC in the U.S. Patent and Trademark office and other countries. All other trademarks are the property of their respective owners. Patents may apply or be pending.

1675 MacArthur Boulevard • Costa Mesa, CA 92626 • Ph: 800/854-4079 or 714/957-7100 • Fax: 714/754-6174

SC-312X Spec Sheet - 06/20/08

**QSC**  
qscaudio.com

## Free Manuals Download Website

<http://myh66.com>

<http://usermanuals.us>

<http://www.somanuals.com>

<http://www.4manuals.cc>

<http://www.manual-lib.com>

<http://www.404manual.com>

<http://www.luxmanual.com>

<http://aubethermostatmanual.com>

Golf course search by state

<http://golfingnear.com>

Email search by domain

<http://emailbydomain.com>

Auto manuals search

<http://auto.somanuals.com>

TV manuals search

<http://tv.somanuals.com>