

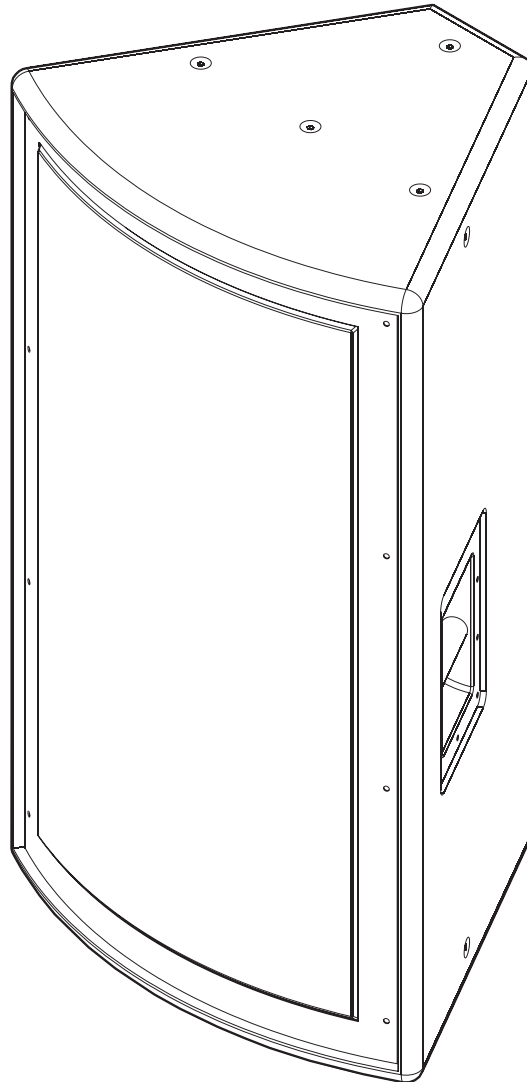


1675 MacArthur Blvd., Costa Mesa, CA, 92626 USA
Main Number (714) 754-6175 or toll free (USA only) (800) 854-4079
Customer Service(714) 957-7150 or toll free (USA only) (800) 772-2834

MD Series Powered Loudspeaker Products

User Manual Manual del Usuario Manuel d'utilisation Benutzerhandbuch 用户手册

MD-FP122/64r	60°x40° (HxV)	12-inch, two-way
MD-FP122/94r	90°x40°	12-inch, two-way
MD-FP122/124r	120°x40°	12-inch, two-way
MD-FP152/94r	90°x40°	15-inch, two-way
MD-FP152/64r	60°x40°	15-inch, two-way
MD-FP152/124r	120°x40°	15-inch, two-way



EN

ES

FR

DE

CH



TD-000186-00 rev.C

Important Safety Precautions & Explanation of Symbols

Install in accordance with QSC Audio Product's instructions and under the supervision of a licensed Professional Engineer.



WARNING!

CAUTION: TO REDUCE THE RISK OF ELECTRIC SHOCK, DO NOT REMOVE THE COVER. NO USER-SERVICEABLE PARTS INSIDE. REFER SERVICING TO QUALIFIED PERSONNEL.



The lightning flash with arrowhead symbol within an equilateral triangle is intended to alert the user to the presence of uninsulated "dangerous" voltage within the product's enclosure that may be of sufficient magnitude to constitute a risk of electric shock to humans.



The exclamation point within an equilateral triangle is intended to alert the user to the presence of important operating and maintenance (servicing) instructions in this manual.

EN

- 1- Read these instructions.
- 2- Keep these instructions.
- 3- Heed all warnings.
- 4- Follow all instructions.
- 5- **WARNING:** To prevent fire or electric shock, do not expose this equipment to rain or moisture. Do not use this apparatus near water.
- 6- Clean only with a dry cloth.
- 7- Allow a minimum of 4" (100mm) clearance at cabinet back for convection cooling. Keep anything that might restrict airflow away from the rear of the enclosure (i.e draperies, fabric, etc...). Do not block any ventilation openings. This product contains an internal power amplifier that produces heat.
- 8- Do not install near any heat sources such as radiators, heat registers, stoves, or other apparatus (including amplifiers) that produce heat.
- 9- Do not defeat the safety purpose of the polarized or grounding-type plug. A polarized plug has two blades with one wider than the other. A grounding plug has two blades and a grounding prong. The wide blade or third prong are provided for your safety. If the provided plug does not fit your outlet, consult an electrician for the replacement of the obsolete outlet.
- 10- Protect the power cord from being walked on or pinched, particularly plugs, convenience receptacles, and the point where they exit from the apparatus.
- 11- Use only attachments/accessories specified by QSC Audio Products, Inc.
- 12- Use only with hardware, brackets, stands, and components sold with the apparatus or by QSC Audio Products, Inc.
- 13- Unplug the apparatus during lightning storms or when unused for long periods of time.
- 14- Refer all servicing to qualified service personnel. Servicing is required when the apparatus has been damaged in any way, such as power supply cord or plug is damaged, liquid has been spilled or objects have fallen into the apparatus, the apparatus has been exposed to rain or moisture, does not operate normally, or has been dropped.
- 15- Before placing, installing, rigging, or suspending any speaker product, inspect all hardware, suspension, cabinets, transducers, brackets and associated equipment for damage. Any missing, corroded, deformed, or non-load rated component could significantly reduce the strength of the installation, placement or array. Any such condition severely reduces the safety of the installation and should be immediately corrected. Use only hardware which is rated for the loading conditions of the installation and any possible short-term, unexpected overloading. Never exceed the rating of the hardware or equipment.
- 16- Consult a licensed, Professional Engineer regarding physical equipment installation. Ensure that all local, state and national regulations regarding the safety and operation of flying equipment are understood and adhered to.

FCC Interference Statement

NOTE: This equipment has been tested and found to comply with the limits for a class B digital device, pursuant to part 15 of the FCC rules. These limits are designed to provide reasonable protection against harmful interference in a residential installation. This equipment generates, uses, and can radiate radio frequency energy and if not installed and used in accordance to the instructions, may cause harmful interference to radio communications. However, there is no guarantee that interference will not occur in a particular installation. If this equipment does cause harmful interference to radio or television reception, which can be determined by switching the equipment off and on, the user is encouraged to try to correct the interference by one or more of the following measures:

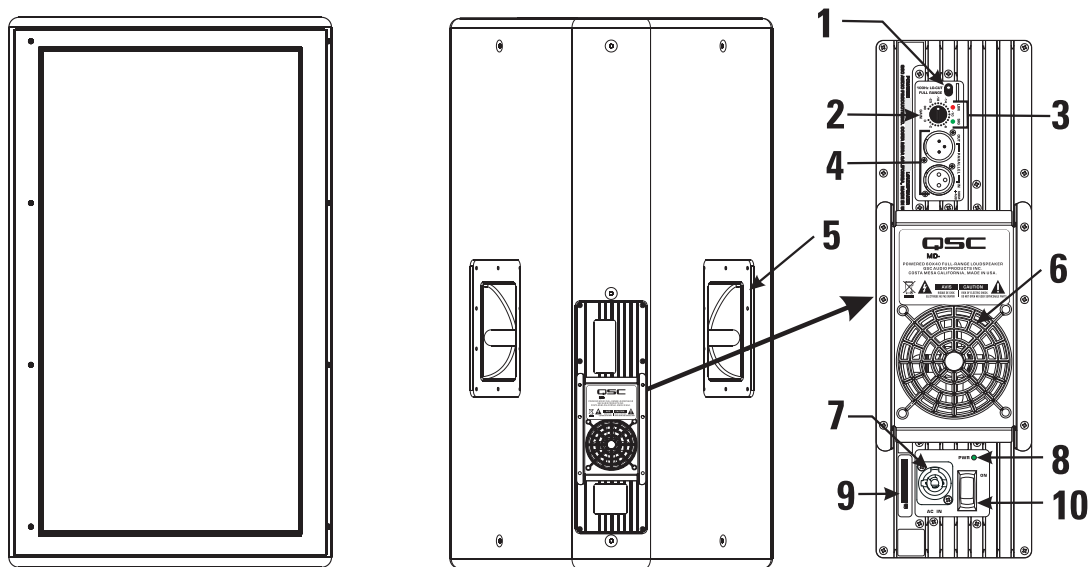
- Reorient or relocate the receiving antenna.
- Increase the separation between the equipment and the receiver.
- Connect the equipment into an outlet on a circuit different from that to which the receiver is connected.
- Consult the dealer or an experienced radio or TV technician for help.

Introduction

Congratulations and thank you for your purchase of this professional, powered loudspeaker product. To get the most from your investment, we recommend you review all the information provided in this User Manual.

The Modular Design (or "MD") self-powered loudspeakers provide excellent sound quality, quality construction, energy-efficient and clean power amplification on-board, and a multitude of models with common cabinet design making installation easier. Its self-contained installation solution, optimized equalization and crossover, rotatable high frequency horn, 15 attachment points, and minimal weight increase over non-powered versions enable the powered MD series to solve more application challenges than competing designs. Available in black or white, they are the perfect solution for house-of-worship, performing arts center, and arena applications that demand flexible and excellent-sounding system solutions.

All models are self-powered, using highly efficient class-D amplifiers and high-frequency switch-mode power supplies. AC line connection is fast and easy; a locking, quick-disconnect Neutrik PowerCon ensures reliable AC mains connection while providing an easy-to-remove power cord for cabinet mobility. Audio is input to the self-powered loudspeaker via an XLR connector with an additional XLR output for daisy-chaining. Handles are provided on black-colored enclosures, while white-colored enclosures are not equipped with handles. Features vary by model, so please refer to sales brochures for specific model information.



- 1- Filter Switch
- 2- Gain Adjuster
- 3- Signal and Clip Indicator LEDs
- 4- Input and Output XLR connectors
- 5- Handles, only on black enclosures

- 6- Cooling Fan
- 7- AC Mains Entrance (PowerCon Receptacle)
- 8- Power ON LED Indicator
- 9- Serial Number Plate
- 10- Power Switch (AC Mains Switch)



NOTE! Handles are provided on black-colored enclosures only! White-colored enclosures are not equipped with handles.

Installation

There are fifteen (15) load-rated pick points on the MD enclosure; four each on the top and on the bottom, two each on the sides, and three on the rear of the enclosure. As shipped from the factory, each pick point has a strength rated flat head bolt installed. These bolts are load bearing components of the enclosure. Do not remove these bolts except to replace a bolt with a forged-shoulder eye bolt. If a flat head screw is lost, contact QSC's Technical Services department for a replacement.



Ensure all pick-point fasteners are installed and correctly tightened in order to maintain enclosure's rated strength. Additionally, air leaks resulting from missing hardware will degrade the loudspeaker's performance.

Use only 3/8-inch, 16 threads per inch forged shoulder eye bolts, QSC part number SR-000096-00. Contact QSC Technical Services department for complete information.

Before placing, installing, rigging, or suspending any speaker product, inspect all hardware, suspension, cabinets, transducers, brackets and associated equipment for damage. Any missing, corroded, deformed, or non-load rated component could significantly reduce the strength of the installation, placement or array. Any such condition severely reduces the safety of the installation and should be immediately corrected. Use only hardware which is rated for the loading conditions of the installation and any possible short-term, unexpected overloading. Never exceed the rating of the hardware or equipment.

Consult a licensed, Professional Engineer regarding physical equipment installation. Ensure that all local, state and national regulations regarding the safety and operation of flying equipment are understood and adhered to.

Installation (continued)

Cooling

This product's internal power amplifier produces some heat as a normal condition of operation. Allow a minimum of 4" (100mm) clearance at cabinet back for adequate ventilation, and avoid exposing to hot lights or direct sunlight. For ambient temperatures below 104°F (40°C) the fan will normally remain off. Between 104°F (40°C) and 122° (50°F) the fan will run for increasing periods of time. Above 130°F (55°C) the internal overheating protection will begin to operate. The unit will reduce its gain, and possibly mute. If the fan appears to be running constantly, try to reduce the ambient temperature to ensure full performance.

Keep anything that might restrict airflow away from the rear of the enclosure (i.e draperies, fabric, etc...).



Do not install enclosures with their rear panels exposed to direct sunlight. Direct sunlight will heat the amplifier module and reduce its ability to produce full output. Install sunshades if the application merits.

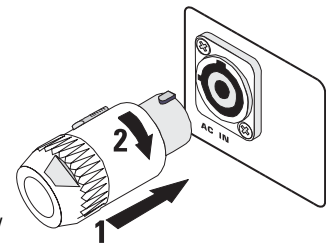
Maximum ambient temperature for full performance to specification is 45° C. (113° F).

Do not install enclosures where exposed to rain or other water sources. The enclosure is not weatherproof. Outdoor installations must provide protection from the elements.

AC Mains

AC Mains Connection

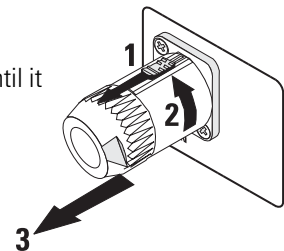
Orient the PowerCon connector with the PowerCon socket located on the rear panel of the loudspeaker. It is keyed and will only fit into the socket when aligned properly. Insert the connector fully and rotate clockwise until the locking mechanism engages.



The correct AC line voltage is shown on the serial number label, on the rear panel. Connecting to the wrong line voltage may damage the amplifier or increase the risk of electric shock.

AC Mains Disconnection

To remove the connector, pull back on the metal locking tab and turn the connector counterclockwise until it stops, then pull to remove the connector from the socket.



Power Switch

Push in on the top of the rocker switch to apply AC mains power to the powered loudspeaker. Push in on the bottom of the rocker switch to turn the powered loudspeaker off.

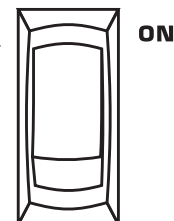
When turned on, the blue Power indicator LED and the red LIM (limiter) indicator LED will illuminate; after a few seconds the red LIM indicator will extinguish.

PWR ●

LED Power Indicator

The blue LED Power indicator will illuminate when the AC Power switch is in the "ON" position, the AC mains power cord is connected properly, and the AC mains are functioning properly. The LED Power indicator will extinguish when the AC Power switch is in the "off" position or AC mains power has been removed from the loudspeaker.

If the Power indicator does not illuminate when the Power switch is placed in the "on" position, verify the AC mains line cord is properly attached to the loudspeaker and plugged into the AC outlet. Verify the outlet is functioning properly.



If the AC mains cordset is serviceable and the AC mains outlet is operating properly, but the loudspeaker fails to operate, the loudspeaker may require servicing. Contact QSC's Technical Services department.

Input/Output Connections

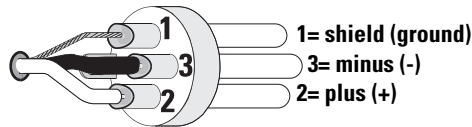
The active MD has a balanced 3-pin female XLR input marked IN and a male XLR output connector marked OUT. These connectors are wired in parallel, enabling connection of multiple enclosures in a "daisy-chain" fashion.

Balanced connections are recommended for less AC hum and interference, especially with long cable runs. Unbalanced connections may be suitable for short cables. The signal's source impedance should be less than 600 ohms.

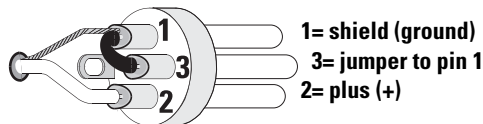
Input connection

Insert the male XLR input into the jack marked IN. Ensure the connector is fully seated. The input impedance is 12k ohm balanced or 6k ohm unbalanced.

Balanced inputs: Connect to the plug as shown.



Unbalanced inputs: Connect to the plug as shown. Pin 3 and pin 1 must be connected with a jumper as shown.



Output Connection

Insert the female XLR connector into the jack marked OUT. Connect the other end of the cable to the next down-stream audio device's input connector.

Gain Control

The Gain control is recessed and can be adjusted with a small screwdriver or flat tool. Turn the gain control clockwise to increase gain and counter clockwise to decrease gain. The attenuation in dB (from maximum) is shown on the label.

The Gain control is marked in dB of attenuation. There are 21 detents for repeatable adjustments. The upper 14 steps are about 1 dB each, and settings should normally be made within this range. The range below -14 dB should not be used for normal program levels, as the input headroom could be exceeded, but can be used for testing at reduced levels. At the minimum setting, the signal is completely cut off.

Filter Select Switch

Above the Gain control is a small toggle switch that selects either Full Range operation or applies a 100 Hz Lo-Cut filter to the system.

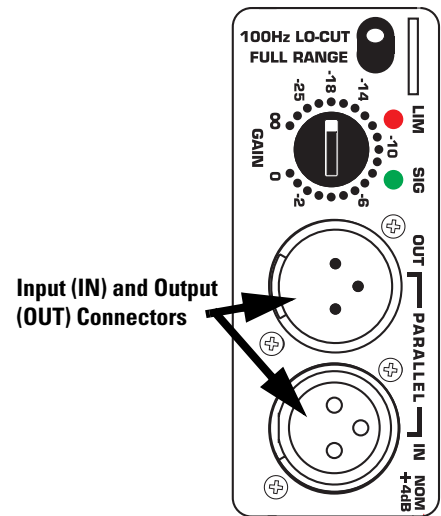
Full Range Setting

Use the Full Range setting for applications without subwoofers or dedicated low-frequency enclosures.

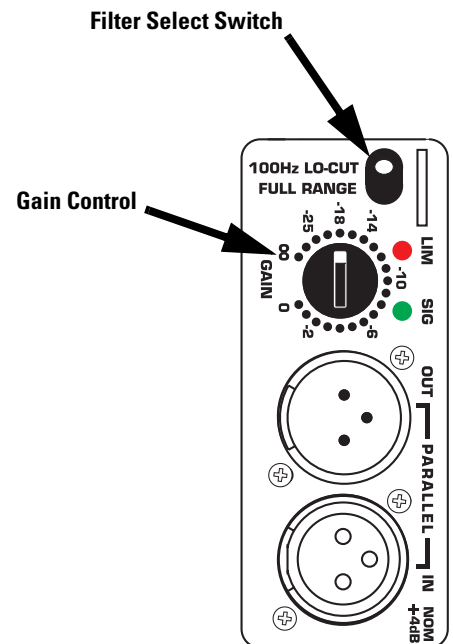
100 Hz Lo-Cut Setting

Use the 100 Hz Lo-Cut setting for applications with optional subwoofers or low-frequency systems.

The two-way wedge will have its low-frequency content below 100 Hz filtered at 24dB per octave, yielding less distortion at low frequencies and provide improved clarity in the mid-frequencies.



EN



SIG (Signal) Indicator LED

The green SIG (signal) indicator alerts the user to the presence of an input signal to the MD loudspeaker.

Normal Indication

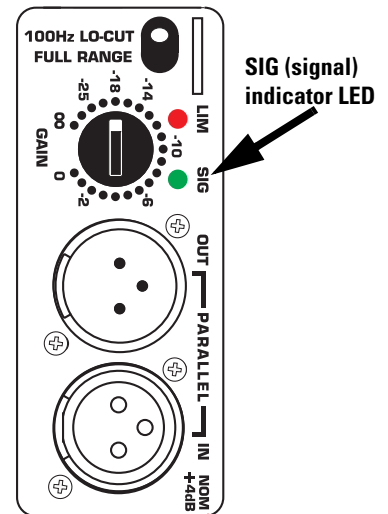
The green SIG indicator illuminates when the input signal exceeds -25 dB.

If No Indication

Check Gain settings and increase gain if necessary. Check input connections and audio source for signal. If the red LIM LED illuminates, refer to the LIM indicator section, below.

Abnormal Indication

If the green SIG LED illuminates with no signal input, there may be system oscillations or some other malfunction. Disconnect the input or fully reduce the gain. If the green SIG LED remains on, the amp may need servicing.



LIM (Limiter) Indicator LED

The red LIM indicator alerts the user to several abnormal conditions within the MD loudspeaker:

Continuous Bright Red Light

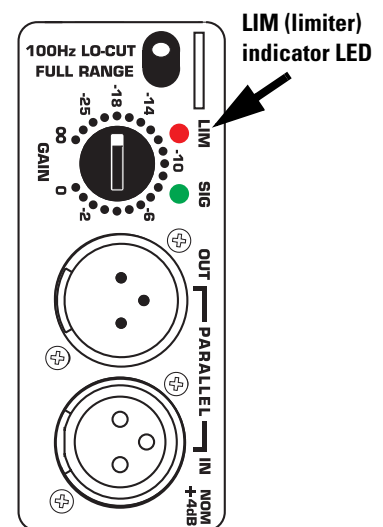
- Indicates protective mute mode.
- The speaker normally passes through muting for several seconds after applying power, after which the light should go out, and sound should be heard.
- If the speaker enters Mute during operation, it has either overheated or developed a fault.
- Overheating should correct itself within 1-2 minutes, after which sound should resume. See below for a full explanation of thermal protection.
- Short periods of muting indicate a component fault. In this case AC power should be removed and the speaker serviced.

Momentary Bright Red Flashes

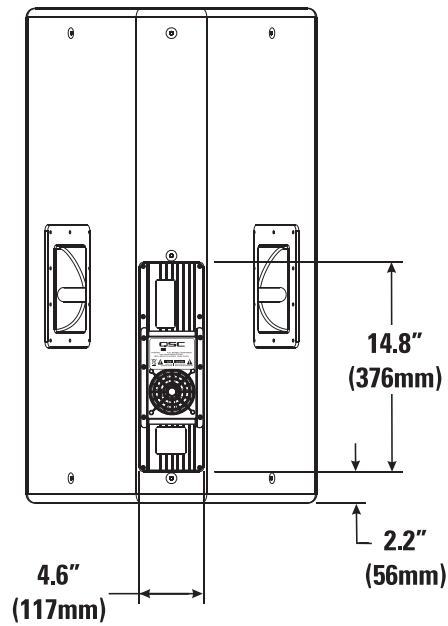
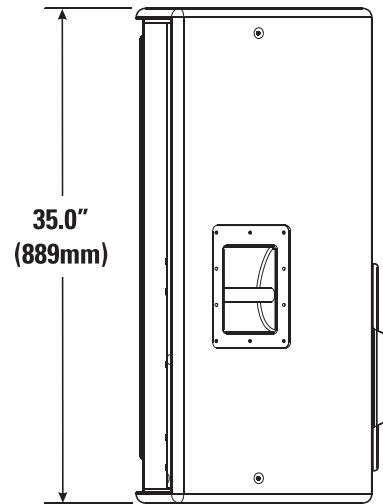
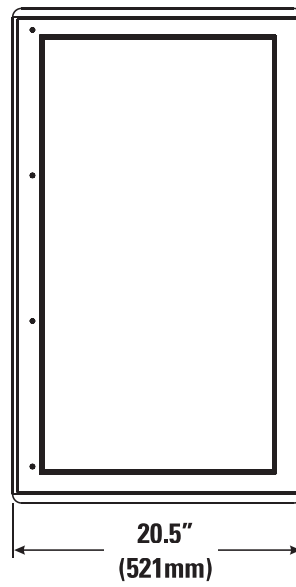
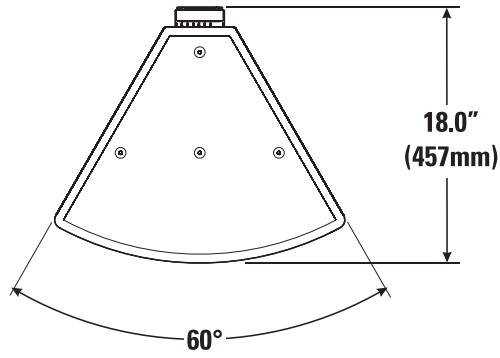
- During operation, bright flashing indicates clipping (overdrive distortion).
- This is normally due to excessive volume, and will likely be accompanied by audible distortion.
- If the speaker mutes repeatedly during peaks, there may be a component fault. AC power should be removed and the speaker serviced.

Continuous Half-bright Light

- Indicates that the internal limiter is reducing gain, due to prolonged clipping and/or excessive temperature.
- After several seconds of severe clipping, the limiter will reduce power to protect the speaker and improve the sound. This results in a steady, half-bright red indication. Any further clipping will still result in bright flashes on top of the steady half-bright indication. When the program level is reduced, the limiter will clear after several seconds, and the red indicator will go out.
- If the power module overheats, the first response is to trigger limiting, to reduce volume and limit further temperature rise. This results in a steady half-bright illumination that does not clear even after reducing program level. It may take several minutes for temperature to drop and clear the limiter. During this time, the exposed heat sink will feel uncomfortably hot to the touch. If overheating continues, the amplifier will ultimately mute, resulting in a full-bright red indication. When muting clears, the amplifier will resume operation, with thermal limiting still active until it further cools off.
- Overheating is usually caused by excessive ambient temperature, since the internal temperature rise of the Class-D power module is relatively low. Protect the speaker from excessive temperatures, such as being placed over a heater vent, or allowing direct sunlight to impinge upon the heat sink surface.



Dimensions



NOTE! Handles are provided on black-colored enclosures only! White-colored enclosures are not equipped with handles.

Location of Pick Points

There are fifteen (15) load-rated pick points on the MD enclosure; four each on the top and on the bottom, two each on the sides, and three on the rear of the enclosure. These pick points are indicated with arrowheads on the illustration. Note the pick points on the cabinet bottom are not shown, but are identical to those indicated on the cabinet top.

As shipped from the factory, each pick point has a strength rated flat head bolt installed. These bolts are load bearing components of the enclosure. Do not remove these bolts except to replace a bolt with a forged-shoulder eye bolt. If a flat head screw is lost, contact QSC's Technical Services department for a replacement.

EN

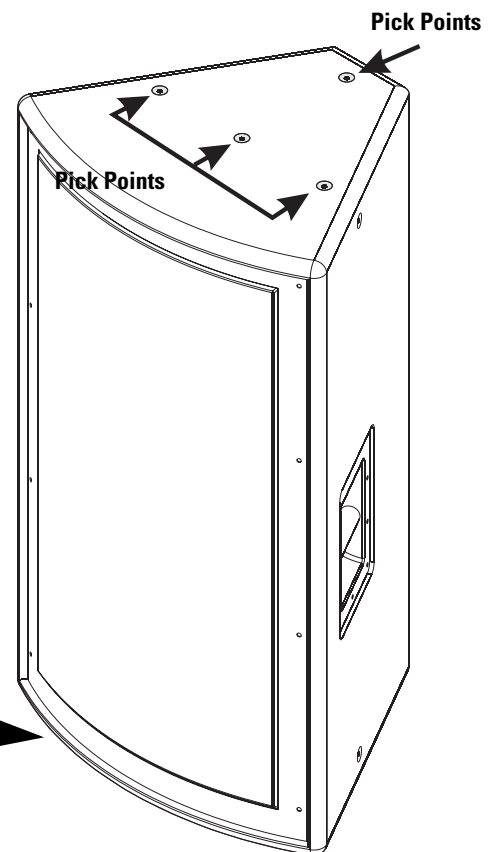
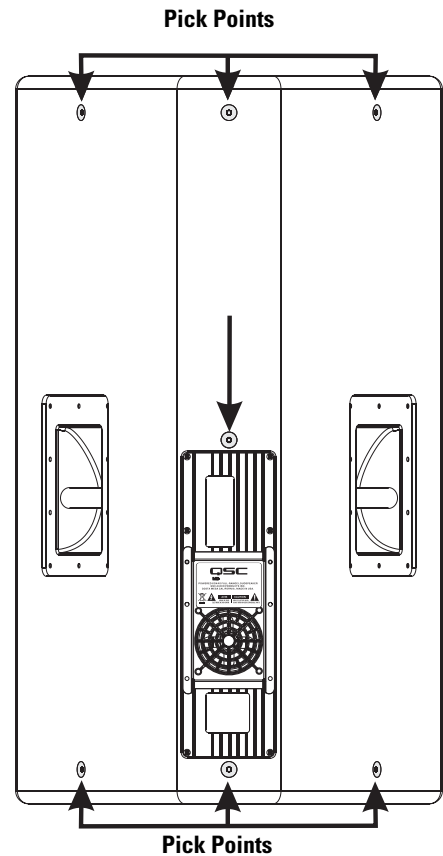


Ensure all pick-point fasteners are installed and correctly tightened in order to maintain enclosure's rated strength. Additionally, air leaks resulting from missing hardware will degrade the loudspeaker's performance.

Use only 3/8-inch, 16 threads per inch forged shoulder eye bolts, QSC part number SR-000096-00. Contact QSC Technical Services department for complete information.

Before placing, installing, rigging, or suspending any speaker product, inspect all hardware, suspension, cabinets, transducers, brackets and associated equipment for damage. Any missing, corroded, deformed, or non-load rated component could significantly reduce the strength of the installation, placement or array. Any such condition severely reduces the safety of the installation and should be immediately corrected. Use only hardware which is rated for the loading conditions of the installation and any possible short-term, unexpected overloading. Never exceed the rating of the hardware or equipment.

Consult a licensed, Professional Engineer regarding physical equipment installation. Ensure that all local, state and national regulations regarding the safety and operation of flying equipment are understood and adhered to.



4 additional Pick Points located on enclosure bottom.

NOTE! Handles are provided on black-colored enclosures only! White-colored enclosures are not equipped with handles.

Horn Rotation

The coverage angles for each model, as shipped from the factory, are shown in the specifications section. If desired the high-frequency driver/horn assembly can be rotated 90° in order to change the coverage angle planes.

Example: An MD-FP122/64r as shipped from the factory has a nominal coverage of 60° in the horizontal plane and 40° in the vertical plane when the enclosure is oriented normally (vertically, as shown at the right). To change the coverage to 40° in the horizontal plane and 60° in the vertical plane, the high-frequency driver/horn assembly would have to be removed, rotated 90°, and reinstalled.

How to Rotate the Horn



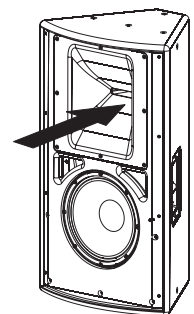
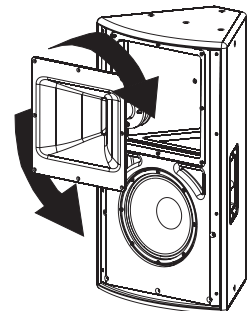
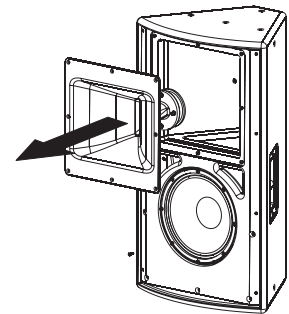
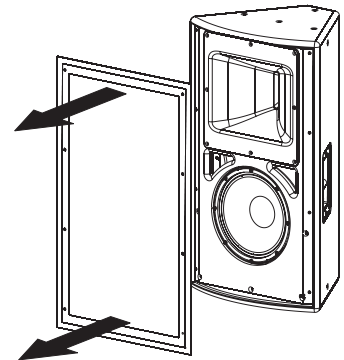
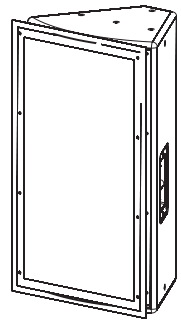
Note! It is always best to have an assistant when working with large assemblies such as this enclosure. The grill assembly is under tension when installed! Be sure to temporarily secure the grill with tape or have an assistant hold the grill edge while removing its retaining screws.

- 1- Remove the four screws from one side of the grill while having an assistant hold the grill from springing free. Remove the four screws from the other side of the grill. Place the grill and retaining screws aside.
- 2- Remove the eight horn retaining screws. Carefully lift the horn from its mounting recess while being careful not to tear or pull away the foam gasket between the horn and enclosure.
- 3- Rotate the horn to the desired position and set back into its mounting recess, being sure the gasket is properly positioned.
- 4- Install the eight horn retaining screws. Do not fully tighten the screws until all have been installed and finger-tightened. This will help to prevent the chance of cracking the horn. Fully tighten the retaining screws.
- 5- Position and align the grill assembly for reinstallation. Install four retaining screws on one side; do not fully tighten. Carefully bend the grill around the front of the enclosure and install the remaining four retaining screws. It is easier to have an assistant hold the grill in place while installing the final four screws.



Grill retaining screws are to be torqued to 30-35 pound inch (0.35 -0.40 kilogram meter)

Horn assembly retaining screws are to be torqued to 40 pound inch (0.46 kilogram meter)



Specifications

MD-FP122/64r

MD-FP122/94r

MD-FP122/124r

Frequency Response, ±3dB	50-17.5k Hz	55-20k Hz	55-18.6k Hz
Frequency Range, -10dB	50-18k Hz	50-20.5k Hz	50-20k Hz
Maximum Peak SPL	128dB	128dB	128dB
Nominal coverage, H x V (as installed at factory)	60°x40°	90°x40°	120°x40°
Directivity Index	13.0	11.1	9.6
Directivity Factor	19.8	13.0	9.1
Acoustic Crossover Freq.	1.4k Hz	1.4k Hz	1.2k Hz
Transducer Description	LF: 12" (305mm) diameter, 4" (102mm) voice coil, ferrite magnet HF: 1.4" (36mm) exit diameter, 2.5" (64mm) voice coil, neodymium magnet, all models		
Amp Power	LF: 800W, HF: 200W, all models		
Input Sensitivity	1.2V _{rms} (+4dB), all models		
Input Headroom/Clipping	7.5V _{rms} (+19.5dB), all models		
Input Connector/Impedance	XLR female, 20k ohm, balanced, all models		
Output Connector	XLR male, wired in parallel with Input connector		
Controls, Indicators, and Adjustments	Rotatable horn assembly, Gain control, 100 Hz high-pass filter switch, Clip/Limit (red LED), Signal presence (green LED), AC Power (blue LED), all models		
Protection, Agency certs.	Thermal limiting, On/Off muting, AC in-rush current limiting, FCC class B (conducted and radiated emissions), UL/CE listed		

AC Power Requirements

	AC Amperes	BTU ⁴
Idle	<0.5 A	<100
1/8 Power¹	2.5 A	570
1/3 Power²	5.0 A	1380
Full Power³	15.0 A	4010

Notes:
(1) 1/8 power is typical of "maximum unclipped program levels".
(2) 1/3 power represents "moderately clipped" operation.
(3) Full power only occurs for short peaks.
(4) BTU includes loudspeakers and amplifier.

AC Power Connector Factory supplied cordset: Neutrik Powercon on 10' (3m) #18AWG 120V North American cordset

Dimensions 20.5" (521mm) W, 35.0" (889mm) H, 17.1" (432mm) D, including rear heatsink fins
Allow for 100mm (4.0") of free space behind the enclosure to assure proper amplifier cooling

Weight 88 lb/40 kg 88 lb/40 kg 89 lb/41 kg

Finish and Grill All models- wear resistant textured paint finish with powder-coated perforated steel grill

Notes:

- 1- Maximum Peak SPL: Calculated by adding the loudspeaker's sensitivity (1W at 1m) to the peak power (dBw) of the amplifier provided.
- 2- Coverage: Included angle between -6dB points, plus X, minus Y dB, 500 to 3.2k Hz, taken at ISO preferred one-third octave intervals, or for an otherwise specified frequency range.
- 3- Directivity Index (DI): Difference between on-axis SPL and average SPL (considering all axes) for the specified coverage range. $DI = 10 \log Q$
- 4- Directivity Factor (Q): Directivity index expressed as a power ratio $Q = 10 \exp DI/10$
- 5- Amplifier Power: The maximum sustained power at less than 1% clipping, averaged over the intended frequency range.
- 6- Input Sensitivity: The sine-wave input voltage required to reach amplifier clipping, measured within the frequency range used to determine Maximum Peak SPL, with the gain on "normal" and no gain reduction due to limiting.
- 7- Input Headroom/Clipping: Maximum input voltage.
- 8- Input Connector/Impedance: RF shunt capacitance should not reduce impedance by more than 30% at 20k Hz.
- 9- TBD= to be determined, data not available at time of printing

Specifications

MD-FP152/64r

MD-FP152/94r

MD-FP152/124r

Frequency Response, ±3dB	50-17.5k Hz	50-19k Hz	50-19k Hz
Frequency Range, -10dB	45-18k Hz	45-20k Hz	5-20.5k Hz
Maximum Peak SPL	129dB	129dB	129dB
Nominal coverage, H x V (as installed at factory)	60°x40°	90°x40°	120°x40°
Directivity Index	12.8	11.3	9.6
Directivity Factor	19.0	13.4	9.1
Acoustic Crossover Freq.	1.32k Hz	1.4k Hz	1.2k Hz

Transducer Description

LF: 15" (381mm) diameter, 4" (102mm) voice coil, ferrite magnet
HF: 1.4" (36mm) exit diameter, 2.5" (64mm) voice coil, neodymium magnet, all models

Amp Power

LF: 800W, HF: 200W, all models

Input Sensitivity

1.2V_{rms} (+4dB), all models

Input Headroom/Clipping

7.5V_{rms} (+19.5dB), all models

Input Connector/Impedance

XLR female, 20k ohm, balanced, all models

Output Connector

XLR male, wired in parallel with Input connector

Controls, Indicators, and Adjustments

Rotatable horn assembly, Gain control, 100 Hz high-pass filter switch, Clip/Limit (red LED), Signal presence (green LED), Power (blue LED), all models

Protection, Agency certs.

Thermal limiting, On/Off muting, AC in-rush current limiting, FCC class B (conducted and radiated emissions), UL/CE listed

AC Power Requirements

	AC Amperes	BTU ⁴
Idle	<0.5 A	<100
1/8 Power ¹	2.5 A	570
1/3 Power ²	5.0 A	1380
Full Power ³	15.0 A	4010

Notes:
(1) 1/8 power is typical of "maximum unclipped program levels".
(2) 1/3 power represents "moderately clipped" operation.
(3) Full power only occurs for short peaks.
(4) BTU includes loudspeakers and amplifier.

AC Power Connector

Factory supplied cordset: Neutrik Powercon on 10' (3m) #18AWG 120V North American cordset

Dimensions

20.5" (521mm) W, 35.0" (889mm) H, 17.1" (432mm) D, including rear heatsink fins
Allow for 100mm (4.0") of free space behind the enclosure to assure proper amplifier cooling

Weight

89 lb/41 kg

88 lb/40 kg

89 lb/41 kg

Finish and Grill

All models- wear resistant textured paint finish with powder-coated perforated steel grill

Notes:

- 1- Maximum Peak SPL: Calculated by adding the loudspeaker's sensitivity (1W at 1m) to the peak power (dBw) of the amplifier provided.
- 2- Coverage: Included angle between -6dB points, plus X, minus Y dB, 500 to 3.2k Hz, taken at ISO preferred one-third octave intervals, or for an otherwise specified frequency range.
- 3- Directivity Index (DI): Difference between on-axis SPL and average SPL (considering all axes) for the specified coverage range. DI= 10 log Q
- 4- Directivity Factor (Q): Directivity index expressed as a power ratio Q=10 exp DI/10
- 5- Amplifier Power: The maximum sustained power at less than 1% clipping, averaged over the intended frequency range.
- 6- Input Sensitivity: The sine-wave input voltage required to reach amplifier clipping, measured within the frequency range used to determine Maximum Peak SPL, with the gain on "normal" and no gain reduction due to limiting.
- 7- Input Headroom/Clipping: Maximum input voltage.
- 8- Input Connector/Impedance: RF shunt capacitance should not reduce impedance by more than 30% at 20k Hz.
- 9- TBD= to be determined, data not available at time of printing

Warranty (USA only; other countries, see your dealer or distributor)

Disclaimer

QSC Audio Products, Inc. is not liable for any damage to amplifiers or any other equipment that is caused by negligence or improper installation and/or use of this loudspeaker product.

QSC Audio Products 3 Year Limited Warranty

QSC Audio Products, Inc. ("QSC") guarantees its products to be free from defective material and / or workmanship for a period of three (3) years from date of sale, and will replace defective parts and repair malfunctioning products under this warranty when the defect occurs under normal installation and use - provided the unit is returned to our factory or one of our authorized service stations via pre-paid transportation with a copy of proof of purchase (i.e., sales receipt). This warranty provides that the examination of the return product must indicate, in our judgment, a manufacturing defect. This warranty does not extend to any product which has been subjected to misuse, neglect, accident, improper installation, or where the date code has been removed or defaced. QSC shall not be liable for incidental and/or consequential damages. This warranty gives you specific legal rights. This limited warranty is freely transferable during the term of the warranty period.

Customer may have additional rights, which vary from state to state.

In the event that this product was manufactured for export and sale outside of the United States or its territories, then this limited warranty shall not apply. Removal of the serial number on this product, or purchase of this product from an unauthorized dealer, will void this limited warranty.

Periodically, this warranty is updated. To obtain the most recent version of QSC's warranty statement, please visit www.qscaudio.com.

Contact us at 800-854-4079 or visit our website at www.qscaudio.com.

1675 MacArthur Blvd., Costa Mesa, CA, 92626 USA

Main Number (714) 754-6175 or toll free (USA only) (800) 854-4079

Customer Service(714) 957-7150 or toll free (USA only) (800) 772-2834



© Copyright 2005, 2006 QSC Audio Products, Inc.

QSC® is a registered trademark of QSC Audio Products, Inc.

"QSC" and the QSC logo are registered with the U.S. Patent and Trademark Office

PowerCon® is a registered trademark of Neutrik® and the names of Neutrik® products referenced herein are either trademarks and/or service marks of Neutrik®.

All trademarks are the property of their respective owners.

Precauciones importantes de seguridad y explicación de los símbolos

Instale de acuerdo con las instrucciones de QSC Audio Products y bajo la supervisión de un ingeniero profesional con la debida licencia.



PRECAUCIÓN: PARA REDUCIR EL RIESGO DE DESCARGA ELÉCTRICA, NO quite la cubierta. El interior no contiene piezas a las que el usuario pueda dar servicio. Refiera el servicio a personal calificado.



El símbolo del rayo con una punta de flecha dentro de un triángulo equilátero tiene la intención de alertar al usuario de la presencia de voltaje "peligroso" no aislado dentro de la caja del producto, que puede ser de magnitud suficiente para constituir un riesgo de descarga eléctrica a los seres humanos.



El signo de exclamación dentro de un triángulo equilátero tiene la intención de alertar al usuario de la presencia de importantes instrucciones de operación y mantenimiento (servicio) en este manual.

- 1- Lea estas instrucciones.
- 2- Conserve estas instrucciones.
- 3- Observe todas las advertencias.
- 4- Siga todas las instrucciones.
- 5- **ADVERTENCIA:** Para prevenir incendios o descargas eléctricas, no exponga este equipo a la lluvia ni a la humedad. No use este aparato cerca del agua.
- 6- Límpielo sólo con un paño seco.
- 7- Deje una separación mínima de 4" (100mm) en la parte posterior de la caja para el enfriamiento por convección. Mantenga cualquier elemento que pudiera restringir el flujo de aire lejos de la parte posterior de la caja (por ejemplo, cortinados, telas, etc...). No obstruya ninguna abertura de ventilación. Este producto contiene un amplificador interno de potencia eléctrica que produce calor.
- 8- No lo instale cerca de fuentes de calor tales como radiadores, registros térmicos, estufas ni otros aparatos (inclusive amplificadores) que produzcan calor.
- 9- No anule ningún elemento de seguridad del enchufe polarizado o del enchufe con conexión a tierra. Un enchufe polarizado tiene dos hojas, una más ancha que la otra. Un enchufe con conexión a tierra tiene dos hojas y una patilla de conexión a tierra. La hoja ancha o el tercer terminal se proporcionan para su seguridad. Si el enchufe que se le proporciona no cabe en su tomacorriente, consulte con un electricista para reemplazar el tomacorriente obsoleto.
- 10- Proteja el cable de alimentación para que no se camine sobre él ni se le comprima, particularmente los enchufes, los receptáculos y el punto en donde éstos salen del aparato.
- 11- Use sólo piezas/accesorios especificados por QSC Audio Products, Inc.
- 12- Use sólo con herraje, soportes, estantes y componentes vendidos con el aparato o por QSC Audio Products, Inc.
- 13- Desenchufe el aparato durante tormentas eléctricas o cuando no lo vaya a usar durante periodos prolongados de tiempo.
- 14- Refiera todo el servicio a personal calificado. Es necesario dar servicio al aparato cuando sufra algún daño, como cuando se daña el cable de alimentación eléctrica o el enchufe, cuando se derraman líquidos o caen objetos sobre el aparato, cuando éste ha estado expuesto a la lluvia o humedad, cuando no opere normalmente o cuando se haya caído.
- 15- Antes de colocar, instalar, montar o suspender cualquier producto de altavoz, inspeccione todo el equipo físico, la suspensión, las cajas, los transductores, los soportes y el equipo asociado para detectar la existencia de daños. Cualquier componente faltante, corroído, deformado o no clasificado para carga podría reducir de manera significativa la resistencia de la instalación, colocación o arreglo. Cualquier condición de este tipo reduce gravemente la seguridad de la instalación y debe corregirse de inmediato. Utilice sólo el equipo físico clasificado para las condiciones de carga de la instalación y cualquier sobrecarga posible inesperada de poca duración. Nunca exceda el valor nominal del equipo físico ni del dispositivo.
- 16- Consulte con un ingeniero profesional con la debida licencia con respecto a la instalación física del equipo. Asegúrese de comprender y acatar todas las normativas locales, estatales y nacionales referentes a la seguridad y operación de equipos suspendidos.

Declaración de la FCC respecto a la interferencia

NOTA: Este equipo ha sido probado y se ha determinado que cumple con los límites de un dispositivo digital Clase B, en virtud de la parte 15 de las reglas de la FCC. Estos límites están diseñados para proporcionar protección razonable contra interferencia dañina en una instalación residencial. Este equipo genera, usa y puede irradiar energía de radiofrecuencia, y si no se instala y usa de acuerdo con las instrucciones, puede causar interferencia dañina con las comunicaciones de radio. Sin embargo, no hay garantía que no ocurrirá interferencia en una instalación en particular. Si este equipo causa interferencia dañina a la recepción de radio o televisión, lo cual se puede determinar al apagar y encender el equipo, se recomienda al usuario que trate de corregir la interferencia en una o más de las siguientes maneras:

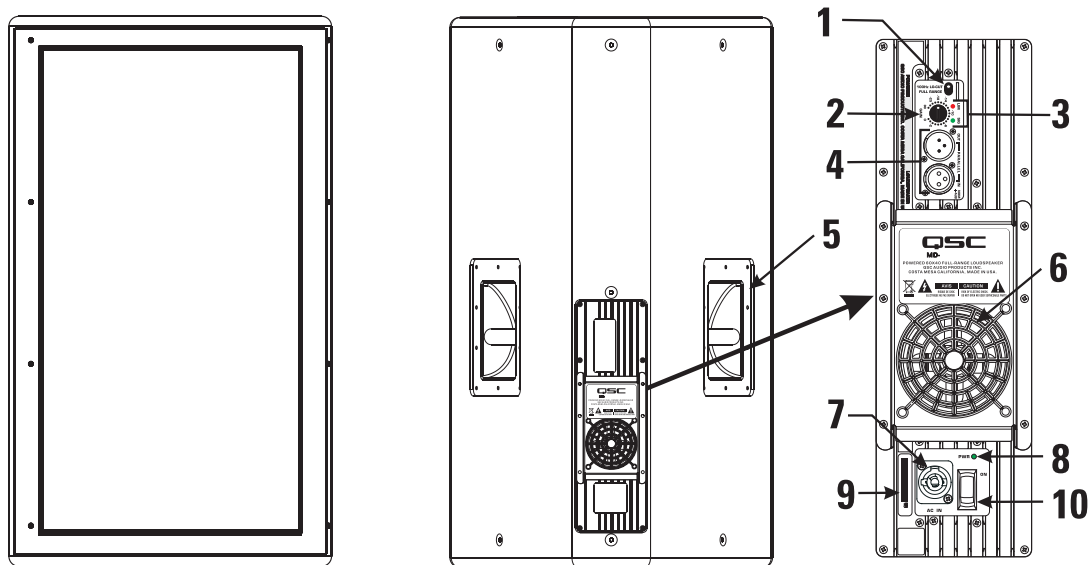
- Reoriente o reubique la antena receptora.
- Aumente la separación entre el equipo y el receptor.
- Conecte el equipo en un tomacorriente de un circuito diferente al cual está conectado el receptor.
- Consulte al distribuidor o a un técnico experimentado de radio o TV para solicitar ayuda.

Introducción

¡Enhorabuena! Le agradecemos que haya comprado este producto profesional de altavoz alimentado. Para aprovechar al máximo su inversión, recomendamos que revise toda la información provista en este Manual del usuario.

Los altavoces autoalimentados de diseño modular (o "MD") tienen una construcción de calidad y brindan una calidad de sonido excelente, una amplificación de potencia incorporada que es limpia y eficiente con respecto al uso de energía, y un sinnúmero de modelos con un diseño común de cajas para facilitar la instalación. Su solución de instalación incorporada, equalización y cruce optimizados, cuerno de alta frecuencia girable, 15 puntos de conexión y aumento de peso mínimo frente a los modelos sin alimentación permiten a la serie MD alimentada resolver más desafíos de aplicación que los diseños de la competencia. Disponibles en negro o blanco, son la solución perfecta para templos religiosos, centros de artes dramáticas y aplicaciones de arena que exigen soluciones de sistemas flexibles y con sonido excelente.

Todos los modelos son autoalimentados, usando amplificadores de clase D altamente eficientes y suministros de potencia de modo conmutado de alta frecuencia. La conexión a la línea de CA es rápida y sencilla; un dispositivo de desconexión rápida con bloqueo de tipo Neutrik PowerCon asegura una conexión fiable a la fuente de alimentación de CA a la vez que proporciona un cable eléctrico fácil de desconectar para brindar una mayor movilidad de la caja. El audio ingresa al altavoz autoalimentado por medio de un conector XLR con una salida XLR adicional para conexión en cadena de margarita. Se suministran asas en las cajas de color negro, mientras que las cajas blancas no tienen asas. Las características varían según el modelo, de modo que deberá consultar los folletos de venta para obtener información específica sobre cada modelo.



1- Conmutador de filtro

2- Ajustador de ganancia

3- Indicadores LED de señal y recorte

4- Conectores XLR de entrada y salida

5- Asas, sólo en cajas negras

6- Ventilador de enfriamiento

7- Entrada del suministro eléctrico principal de CA (receptáculo PowerCon)

8- Indicador LED de potencia encendida

9- Placa con el número de serie

10- Conmutador eléctrico (conmutador del suministro eléctrico principal de CA)



¡NOTA! ¡Se suministran asas sólo en las cajas de color negro! Las cajas blancas no tienen asas.

Instalación

Hay quince (15) puntos de suspensión con clasificación de carga nominal en la caja del MD; cuatro en la parte superior y en la parte inferior, dos en cada lado y tres en la parte posterior de la caja. Tal como se envía de fábrica, cada punto de suspensión tiene instalado un perno de cabeza plana con clasificación nominal para resistencia. Dichos pernos son componentes de la caja que soportan la carga. No desmonte estos pernos salvo para reemplazar alguno con un perno de rebaba forjada. Si se pierde un tornillo de cabeza plana, comuníquese con el departamento de Servicios Técnicos de QSC para obtener un reemplazo.



Asegúrese de tener instalados todos los sujetadores de los puntos de suspensión, apretados correctamente para mantener la resistencia nominal de la caja. Asimismo, las fugas de aire que surgen como consecuencia de equipo físico faltante degradarán el rendimiento del altavoz.

Use sólo pernos de rebaba forjada de 3/8 de pulgada, con 16 roscas por pulgada, número de referencia de QSC SR-000096-00. Comuníquese con el departamento de Servicios Técnicos de QSC para obtener información completa al respecto.

Antes de colocar, instalar, montar o suspender cualquier producto de altavoz, inspeccione todo el equipo físico, la suspensión, las cajas, los transductores, los soportes y el equipo asociado para detectar la existencia de daños. Cualquier componente faltante, corroído, deformado o no clasificado para carga podría reducir de manera significativa la resistencia de la instalación, colocación o arreglo. Cualquier condición de este tipo reduce gravemente la seguridad de la instalación y debe corregirse de inmediato. Utilice sólo el equipo físico clasificado para las condiciones de carga de la instalación y cualquier sobrecarga posible inesperada de poca duración. Nunca exceda el valor nominal del equipo físico ni del dispositivo.

Consulte con un ingeniero profesional con la debida licencia con respecto a la instalación física del equipo. Asegúrese de comprender y acatar todas las normativas locales, estatales y nacionales referentes a la seguridad y operación de equipos suspendidos.

Instalación (continuación)

Enfriamiento

El amplificador de potencia interno de este producto produce algo de calor como condición normal de operación. Deje una separación mínima de 4" (100mm) en la parte posterior de la caja para obtener una ventilación adecuada, y evite exponer el equipo a luces calientes o a la luz solar directa. Para temperaturas ambiente de menos de 104°F (40°C) el ventilador normalmente quedará apagado. Entre 104°F (40°C) y 122° (50°F) el ventilador funcionará durante períodos de tiempo crecientes. Por arriba de 130°F (55°C) comenzará a funcionar la protección interna contra sobrecalentamiento. La unidad reducirá su ganancia, y posiblemente se silenciará. Si el ventilador parece estar en funcionamiento constante, trate de reducir la temperatura ambiente para asegurar un total rendimiento.

Mantenga cualquier elemento que pudiera restringir el flujo de aire lejos de la parte posterior de la caja (por ejemplo, cortinados, telas, etc...).



No instale las cajas con sus paneles posteriores expuestos a la luz solar directa. La luz solar directa calentará el módulo del amplificador y reducirá su habilidad de producir una salida completa. Instale protectores solares en caso de que aplicación lo requiera.

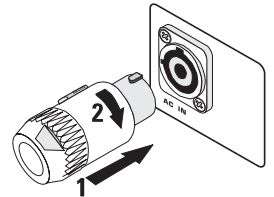
La temperatura ambiente máxima para lograr un rendimiento completo de acuerdo con las especificaciones es 45° C (113° F).

No instale cajas donde queden expuestas a la lluvia o a otras fuentes de agua. La caja no está diseñada a prueba de la intemperie. Las instalaciones al aire libre deben brindar protección de los elementos.

Línea eléctrica de CA

Conexión a la línea principal de CA

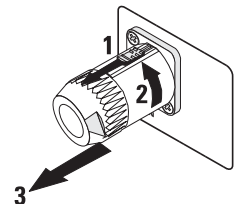
Oriente el conector PowerCon con el receptáculo PowerCon situado en el panel posterior del altavoz. Está ranurado de modo de sólo encajar en el receptáculo cuando está correctamente alineado. Inserte el conector completamente y gire hacia la derecha hasta enganchar el mecanismo de bloqueo.



El voltaje correcto de la línea de CA se muestra en la etiqueta del número de serie que se encuentra en el panel posterior. Si se conecta un voltaje de línea incorrecto se puede dañar el amplificador o aumentar el riesgo de una descarga eléctrica.

Desconexión de la fuente principal de alimentación de CA

Para desmontar el conector, retire hacia atrás la lengüeta metálica de bloqueo y gire el conector hacia la izquierda hasta que se detenga, y luego hale del mismo para quitar el conector del receptáculo.



Conmutador eléctrico

Empuje hacia adentro la parte superior del conmutador basculante para aplicar el suministro eléctrico principal de CA al altavoz alimentado. Empuje hacia adentro la parte inferior del conmutador basculante para apagar el altavoz alimentado.

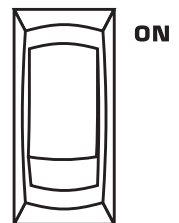
Cuando está encendido, el LED indicador de potencia de color azul y el LED indicador limitador (LIM) de color rojo se iluminarán; después de unos pocos segundos, se apagará el indicador limitador de color rojo.

PWR ●

LED indicador de potencia

El LED indicador de potencia de color azul se iluminará cuando el conmutador de potencia de CA se encuentre en la posición de encendido ("ON"), el cable eléctrico principal de CA esté correctamente conectado y el suministro eléctrico principal de CA esté funcionando de manera apropiada. El LED indicador de potencia se apagará cuando el conmutador eléctrico de CA se encuentre en la posición de apagado ("off") o la alimentación eléctrica principal de CA se haya quitado del altavoz.

Si el indicador de potencia no se ilumina cuando el conmutador correspondiente se coloca en la posición de encendido ("on"), verifique que el cable del suministro eléctrico principal de CA esté correctamente conectado al altavoz y enchufado en el tomacorriente de CA. Verifique que el tomacorriente esté funcionando correctamente.



Si el juego de cables de la alimentación principal de CA está en buenas condiciones y el tomacorriente principal de CA está funcionando correctamente, pero el altavoz no funciona, es posible que el altavoz requiera servicio técnico. Póngase en contacto con el departamento de Servicios Técnicos de QSC.

ES

Conexiones de entrada/salida

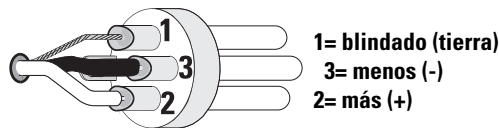
El MD activo tiene una entrada XLR hembra de 3 patas marcada IN (ENTRADA) y un conector de salida XLR macho marcado OUT (SALIDA). Dichos conectores están cableados en paralelo, permitiendo la conexión de varias cajas en "cadena de margarita".

Se recomiendan conexiones equilibradas para menos zumbido e interferencia de la CA, especialmente con tramos largos de cable. Las conexiones no balanceadas pueden ser adecuadas para tramos cortos de cable. La impedancia de la fuente de la señal debe ser menor de 600 ohmios.

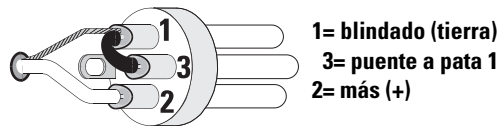
Conexión de entrada

Inserte la entrada XLR macho en el receptáculo marcado IN. Asegúrese de que el conector esté completamente asentado. La impedancia de entrada es de 12k ohmios balanceada o 6k ohmios no balanceada.

Entradas balanceadas: Conecte al enchufe como se muestra.



Entradas no balanceadas: Conecte al enchufe como se muestra. La pata 3 y la pata 1 se deben conectar con un puente como se muestra.



Conexión de salida

Inserte el conector XLR hembra en el receptáculo marcado OUT. Conecte el otro extremo del cable al conector de entrada del siguiente dispositivo de audio corriente abajo.

Control de ganancia

El control de ganancia está empotrado y se puede ajustar con un destornillador pequeño o con una herramienta plana. Gire hacia la derecha el control de ganancia para aumentar la ganancia y hacia la izquierda para reducir la ganancia. La atenuación en dB (desde el valor máximo) se muestra en la etiqueta.

El control de ganancia está marcado en dB de atenuación. Hay 21 retenes para ajustes repetibles. Los 14 pasos superiores son de aproximadamente 1 dB cada uno, y normalmente los ajustes deben hacerse dentro de este intervalo. El intervalo menor de -14 dB no se debe usar para los niveles normales del programa, ya que se podría exceder el espacio libre de entrada, pero se puede usar para hacer pruebas a niveles reducidos. En el ajuste mínimo, la señal se corta completamente.

Conmutador de selección del filtro

Arriba del control de ganancia hay un pequeño conmutador basculante que selecciona una operación de intervalo completo o aplica un filtro de corte bajo de 100 Hz al sistema.

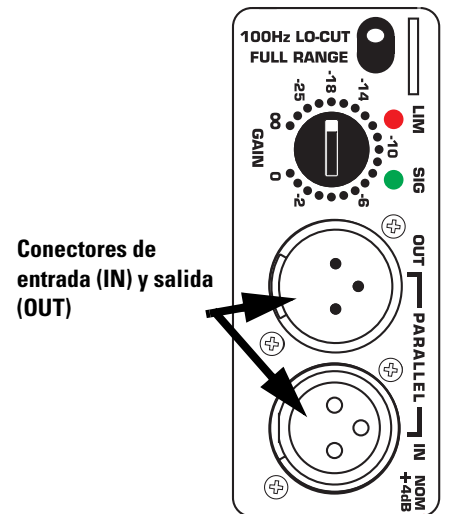
Ajuste de intervalo completo

Use el ajuste de intervalo completo (Full Range) para aplicaciones sin subwoofers o cajas dedicadas de baja frecuencia.

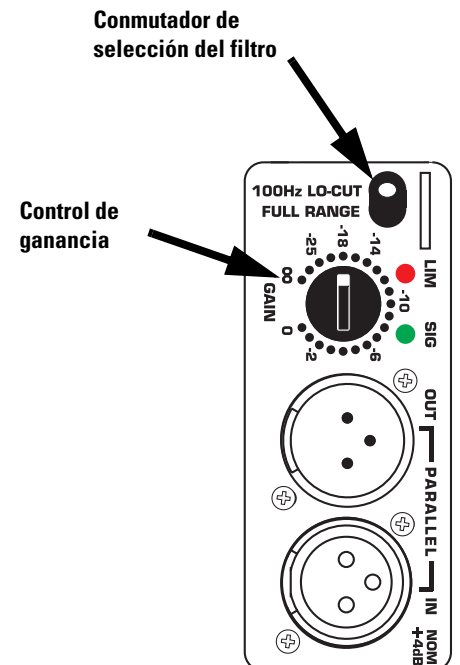
Ajuste de corte bajo de 100 Hz

Use el ajuste de corte bajo de 100 Hz para aplicaciones con subwoofers opcionales o sistemas de baja frecuencia.

La cuña de dos direcciones tendrá su contenido de baja frecuencia por debajo de 100 Hz filtrado a 24dB por octava, con un rendimiento de menor distorsión a bajas frecuencias proporcionando una mejorada claridad a frecuencias medias.



Conectores de entrada (IN) y salida (OUT)



LED indicador SIG (señal)

El indicador de señal (SIG) de color verde advierte al usuario de la presencia de una señal de entrada al altavoz MD.

Indicación normal:

El indicador de señal de color verde se ilumina cuando la señal de entrada excede el valor de -25 dB.

Si no hay indicación

Revise los ajustes de ganancia y aumente la ganancia si es necesario. Revise las conexiones de entrada y la fuente de audio para ver si hay señal. Si se ilumina el LED limitador (LIM) de color rojo, consulte la sección sobre el indicador limitador, más abajo.

Indicación anormal

Si el LED de señal de color verde se ilumina sin entrada de señal, puede haber oscilaciones del sistema o algún otro mal funcionamiento. Desconecte la entrada o reduzca la ganancia completamente. Si el LED de la señal permanece encendido, es posible que el amplificador necesite servicio.

LED indicador LIM (limitador)

El indicador limitador (LIM) de color rojo advierte al usuario sobre diversas condiciones anormales dentro del altavoz MD:

Luz roja brillante continua

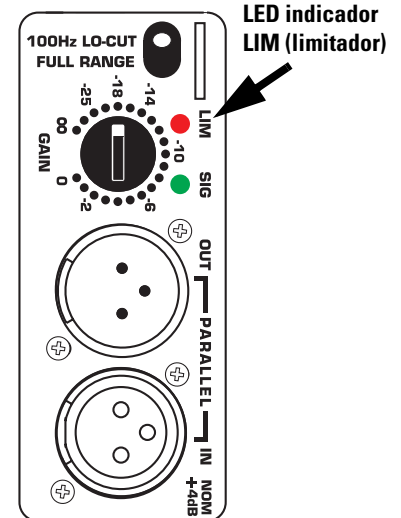
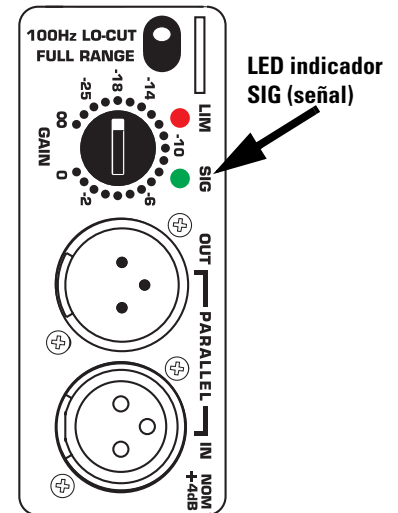
- Indica un modo de silenciamiento protector.
- El altavoz normalmente pasa por un silenciamiento durante varios segundos después de aplicar potencia, después de lo cual la luz debiera apagarse, debiendo poder oírse el sonido.
- Si el altavoz ingresa en el modo de silenciamiento durante la operación, se ha sobrecalentado o ha desarrollado una falla.
- El sobrecalentamiento debiera corregirse automáticamente al cabo de 1 a 2 minutos, después de lo cual el sonido debe reanudarse. Consulte más abajo donde encontrará una explicación detallada de la protección térmica.
- Períodos breves de silenciamiento indican una falla de algún componente. En este caso, debe desconectarse la alimentación de CA y prestarse servicio al altavoz.

Centelleos rojos brillantes momentáneos

- Durante la operación, un centello brillante indica que hay recorte (distorsión por sobreexcitación).
- Esto se debe normalmente a un volumen excesivo, y probablemente estará acompañado por una distorsión audible.
- Si el altavoz se silencia repetidamente durante los picos, puede existir una falla de un componente. Debe desconectarse la alimentación de CA y prestarse servicio al altavoz.

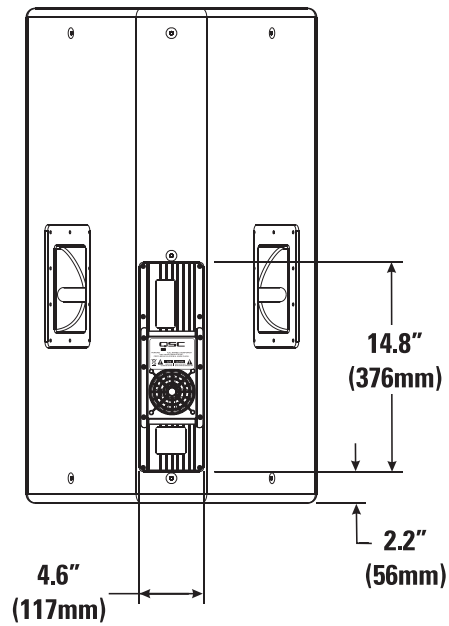
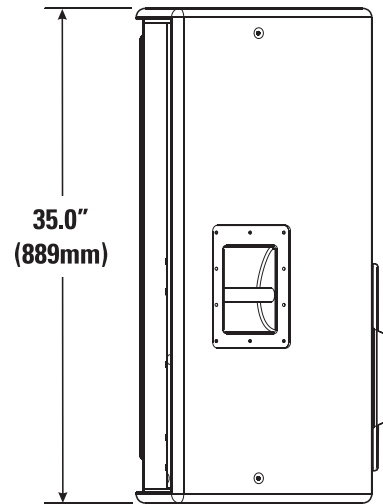
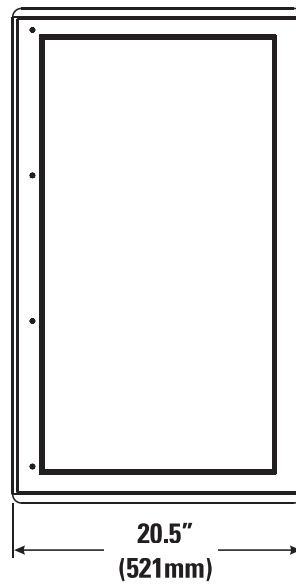
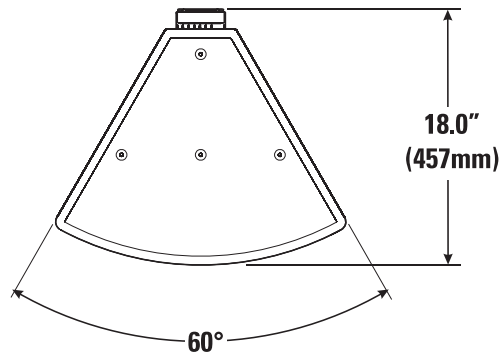
Luz semibrillante continua

- Indica que el limitador interno está reduciendo la ganancia, debido a un recorte prolongado y/o una temperatura excesiva.
- Después de varios segundos de recortes importantes, el limitador reducirá la potencia para proteger el altavoz y mejorar el sonido. Esto resulta en una indicación roja semibrillante, encendida de manera permanente. Cualquier recorte adicional aún resultará en centelleos brillantes además de la indicación semibrillante permanente. Cuando se reduce el nivel del programa, el limitador se borrará después de varios segundos, y se apagará el indicador rojo.
- Si se sobrecalienta el módulo de potencia, la primera respuesta será activar la limitación, reducir el volumen y limitar un aumento ulterior de la temperatura. Esto resulta en una iluminación semibrillante permanente que no se apaga incluso después de reducir el nivel del programa. Puede demorar varios minutos para que disminuya la temperatura y se anule el limitador. Durante este tiempo, el sumidero térmico expuesto tendrá una sensación incómodamente caliente al tacto. Si continúa el sobrecalentamiento, el amplificador finalmente se silenciará, resultando en una indicación roja totalmente brillante. Al finalizar el silenciamiento, el amplificador reanudará su operación, con la limitación térmica aún activa hasta un ulterior enfriamiento.
- El sobrecalentamiento por lo general es causado por una temperatura ambiente excesiva, dado que el aumento de temperatura interna en el módulo de potencia de clase D es relativamente bajo. Proteja el altavoz de temperaturas excesivas, tales como colocarlo sobre una salida de calefacción o permitir que la luz solar directa caliente la superficie del sumidero térmico.



ES

Dimensiones



¡NOTA! ¡Se suministran asas sólo en las cajas de color negro! Las cajas blancas no tienen asas.

ES

Ubicación de los puntos de suspensión

Hay quince (15) puntos de suspensión con clasificación de carga nominal en la caja del MD; cuatro en la parte superior y en la parte inferior, dos en cada lado y tres en la parte posterior de la caja. Estos puntos de suspensión se indican con flechas en la ilustración. Observe que no se muestran los puntos de suspensión en la parte inferior de la caja pero éstos son idénticos a aquellos indicados en la parte superior de la caja.

Tal como se envía de fábrica, cada punto de suspensión tiene instalado un perno de cabeza plana con clasificación nominal para resistencia. Dichos pernos son componentes de la caja que soportan la carga. No desmonte estos pernos salvo para reemplazar alguno con un perno de rebaba forjada. Si se pierde un tornillo de cabeza plana, comuníquese con el departamento de Servicios Técnicos de QSC para obtener un reemplazo.



Asegúrese de tener instalados todos los sujetadores de los puntos de suspensión, apretados correctamente para mantener la resistencia nominal de la caja. Asimismo, las fugas de aire que surgen como consecuencia del equipo físico faltante degradarán el rendimiento del altavoz.

Use sólo pernos de rebaba forjada de 3/8 de pulgada, con 16 roscas por pulgada, número de referencia de QSC SR-000096-00. Comuníquese con el departamento de Servicios Técnicos de QSC para obtener información completa al respecto.

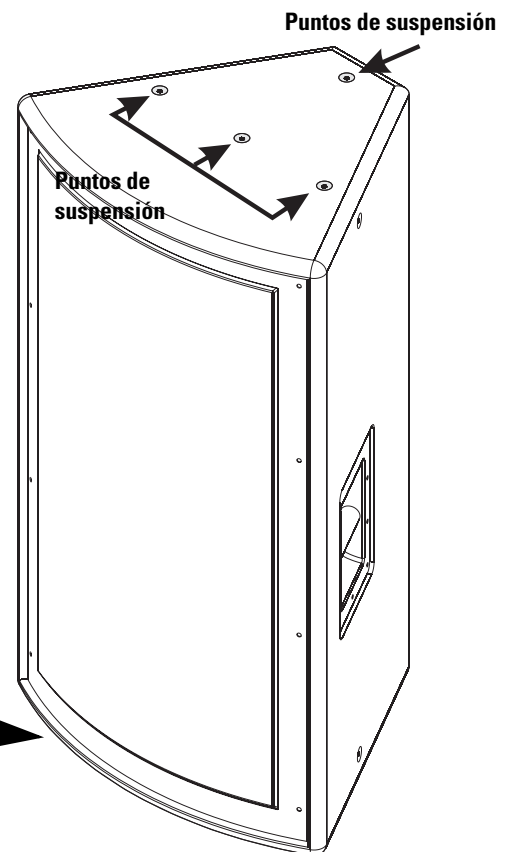
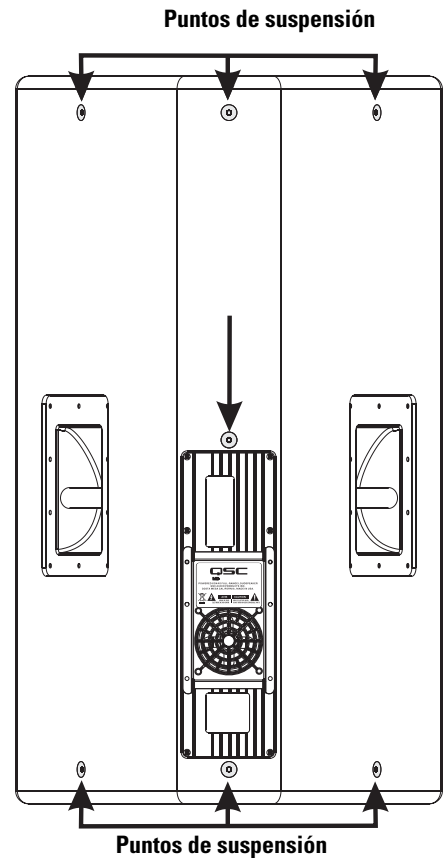
Antes de colocar, instalar, montar o suspender cualquier producto de altavoz, inspeccione todo el equipo físico, la suspensión, las cajas, los transductores, los soportes y el equipo asociado para detectar la existencia de daños. Cualquier componente faltante, corroído, deformado o no clasificado para carga podría reducir de manera significativa la resistencia de la instalación, colocación o arreglo. Cualquier condición de este tipo reduce gravemente la seguridad de la instalación y debe corregirse de inmediato. Utilice sólo el equipo físico clasificado para las condiciones de carga de la instalación y cualquier sobrecarga posible inesperada de poca duración. Nunca exceda el valor nominal del equipo físico ni del dispositivo.

Consulte con un ingeniero profesional con la debida licencia con respecto a la instalación física del equipo. Asegúrese de comprender y acatar todas las normativas locales, estatales y nacionales referentes a la seguridad y operación de equipos suspendidos.



4 puntos de suspensión adicionales ubicados en la parte inferior de la caja.

¡NOTA! ¡Se suministran asas sólo en las cajas de color negro! Las cajas blancas no tienen asas.



Rotación del cuerno

Los ángulos de cobertura para cada modelo, tal como se envían de fábrica, se muestran en la sección de especificaciones. Si se desea, el conjunto de excitador de alta frecuencia/cuerno puede girarse 90° para cambiar los planos angulares de cobertura.

Ejemplo: Un MD-FP122/64r tal como se envía de fábrica tiene una cobertura nominal de 60° en el plano horizontal y 40° en el plano vertical cuando la caja se orienta normalmente (verticalmente, tal como se muestra a la derecha). Para cambiar la cobertura a 40° en el plano horizontal y a 60° en el plano vertical, deberá desmontarse el conjunto de excitador de alta frecuencia/cuerno, girarse 90° y reinstalarse.

Cómo girar el cuerno



¡Nota! Siempre es mejor tener un asistente al trabajar con elementos grandes como esta caja. ¡El conjunto de rejilla se encuentra bajo tensión al ser instalado! Asegúrese de fijar la rejilla temporalmente con cinta o pídale a un asistente que sujete el borde de la rejilla al desmontar sus tornillos de retención.

1- Retire los cuatro tornillos de un lado de la rejilla mientras un asistente sujeta la rejilla para evitar que se suelte. Retire los cuatro tornillos del otro lado de la rejilla. Coloque la rejilla y los tornillos de retención a un lado.

2- Quite los ocho tornillos de retención del cuerno. Levante cuidadosamente el cuerno de su cavidad de montaje teniendo cuidado de no romper ni separar la empaquetadura de espuma entre el cuerno y la caja.

3- Gire el cuerno hasta la posición deseada y colóquelo en su cavidad de montaje, asegurándose de que la empaquetadura se encuentre en la posición correcta.

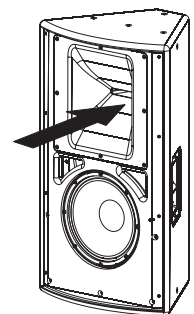
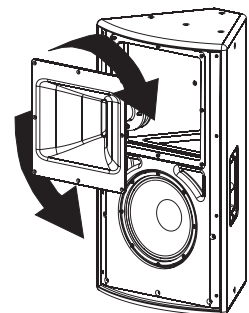
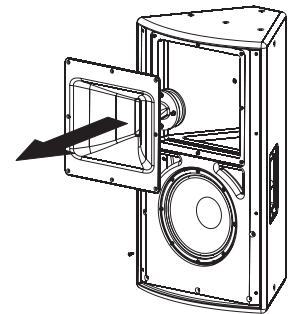
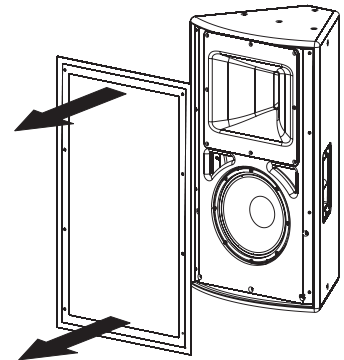
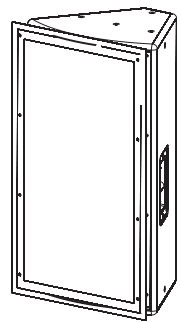
4- Instale los ocho tornillos de retención del cuerno. No apriete los tornillos completamente hasta que todos hayan sido instalados y apretados manualmente. Esto ayudará a evitar la posibilidad de agrietar el cuerno. Apriete completamente los tornillos de retención.

5- Posicione y alinee el conjunto de rejilla para volver a instalarlo. Instale cuatro tornillos de retención a un lado; no los apriete completamente. Flexione cuidadosamente la rejilla alrededor de la parte frontal de la caja e instale los cuatro tornillos restantes. Es más fácil que un asistente sujete la rejilla en posición al instalar los cuatro tornillos finales.



Los tornillos de retención de la rejilla deben apretarse hasta 30-35 libras pulgada (0.35 - 0.40 kilogramos metro).

Los tornillos de retención del conjunto del cuerno deben apretarse hasta 40 libras pulgada (0.46 kilogramos metro)



Especificaciones

MD-FP122/64r

MD-FP122/94r

MD-FP122/124r

Respuesta de frecuencias, ±3dB	50-17.5k Hz	55-20k Hz	55-18.6k Hz
Intervalo de frecuencias, -10dB	50-18k Hz	50-20.5k Hz	50-20k Hz
SPL máximo	128dB	128dB	128dB
Cobertura nominal, H x V (tal como se instaló en fábrica)	60°x40°	90°x40°	120°x40°
Índice de directividad	13.0	11.1	9.6
Factor de directividad	19.8	13.0	9.1
Frecuencia de cruce acústico	1.4k Hz	1.4k Hz	1.2k Hz
Descripción del transductor	LF: bobina de voz con imán de ferrita de 4" (102mm) y 12" (305mm) de diámetro HF: bobina de voz con imán de neodimio de 2.5" (64mm) y 1.4" (36mm) de diámetro de salida, todos los modelos		

Potencia del amplificador LF: 800W, HF: 200W, todos los modelos

Sensibilidad de entrada 1.2V_{rms} (+4dB), todos los modelos

Espacio libre de entrada/Recorte 7.5V_{rms} (+19.5dB), todos los modelos

Conector de entrada/Impedancia XLR hembra, 20k ohmios, balanceado, todos los modelos

Conector de salida XLR macho, cableado en paralelo con el conector de entrada

Controles, indicadores y ajustes Conjunto de cuerno girable, control de ganancia, conmutador de filtro de paso alto de 100 Hz, recorte/limitación (LED rojo), presencia de señal (LED verde), potencia de CA (LED azul), todos los modelos

Protección, certificaciones de agencias Limitación térmica, encendido/apagado de silenciamiento, limitación de corriente de entrada de CA, FCC clase B (emisiones conducidas e irradiadas), enumerado por UL/CE

Requisitos de potencia de CA

	AC Amperes	BTU ⁴
Idle	<0.5 A	<100
1/8 Power ¹	2.5 A	570
1/3 Power ²	5.0 A	1380
Full Power ³	15.0 A	4010

Notes:
(1)1/8 power is typical of "maximum unclipped program levels".
(2)1/3 power represents "moderately clipped" operation.
(3)Full power only occurs for short peaks.
(4) BTU includes loudspeakers and amplifier.

Conector de potencia de CA Juego de cables suministrado por la fábrica: Neutrik PowerCon en juego de cables norteamericanos de 10' (3m) #18AWG y 120V

Dimensiones 20.5" (521mm) W, 35.0" (889mm) H, 17.1" (432mm) D, incluidas las aletas posteriores del sumidero térmico
Deje 100mm (4.0") de espacio libre detrás de la caja para asegurar un correcto enfriamiento del amplificador

Peso 88 lb/40 kg 88 lb/40 kg 89 lb/41 kg

Acabado y rejilla Todos los modelos- acabado de pintura texturizada resistente al desgaste con rejilla de acero perforado recubierta con polvo

Notas:

- 1- SPL máximo: Calculado agregando la sensibilidad del altavoz (1W a 1m) a la potencia pico (dBW) del amplificador provisto.
- 2- Cobertura: ángulo incluido entre puntos de -6dB, más X, menos Y dB, 500 a 3.2k Hz, tomado a intervalos de un tercio de octava preferidos por ISO o para un intervalo de frecuencias especificado de otro modo.
- 3- Índice de directividad (DI): Diferencia entre el SPL en el eje y el SPL medio (considerando todos los ejes) para el intervalo de cobertura especificado. DI= 10 log Q
- 4- Factor de directividad (Q): Índice de directividad expresado como relación de potencia Q=10 exp DI/10
- 5- Potencia del amplificador: La máxima potencia sostenida a menos de un 1% de recorte, promediado a lo largo del intervalo de frecuencias deseado.
- 6- Sensibilidad de entrada: El voltaje de entrada de onda senoidal requerido para alcanzar el recorte del amplificador, medido dentro del intervalo de frecuencias usado para determinar el SPL máximo, con la ganancia en "normal" y sin reducción de ganancia debido a la limitación.
- 7- Espacio libre de entrada/Recorte: Máximo voltaje de entrada.
- 8- Conector de entrada/Impedancia: La capacitancia de derivación de RF no debe reducir la impedancia en más del 30% a 20k Hz.
- 9- TBD= a determinar, datos no disponibles al momento de publicación

Especificaciones	MD-FP152/64r	MD-FP152/94r	MD-FP152/124r
Respuesta de frecuencias, ±3dB	50-17.5k Hz	50-19k Hz	50-19k Hz
Intervalo de frecuencias, -10dB	45-18k Hz	45-20k.	5-20.5k Hz
SPL máximo	129dB	129dB	129dB
Cobertura nominal, H x V (tal como se instaló en fábrica)	60°x40°	90°x40°	120°x40°
Índice de directividad	12.8	11.3	9.6
Factor de directividad	19.0	13.4	9.1
Frecuencia de cruce acústico	1.32k Hz	1.4k Hz	1.2k Hz
Descripción del transductor	LF: bobina de voz con imán de ferrita de 4" (102mm) y 15" (381mm) de diámetro HF: bobina de voz con imán de neodimio de 2.5" (64mm) y 1.4" (36mm) de diámetro de salida, todos los modelos		

ES **Potencia del amplificador** LF: 800W, HF: 200W, todos los modelos

Sensibilidad de entrada 1.2V_{rms} (+4dB), todos los modelos

Espacio libre de entrada/Recorte 7.5V_{rms} (+19.5dB), todos los modelos

Conector de entrada/Impedancia XLR hembra, 20k ohmios, balanceado, todos los modelos

Conector de salida XLR macho, cableado en paralelo con el conector de entrada

Controles, indicadores y ajustes Conjunto de cuerno girable, control de ganancia, conmutador de filtro de paso alto de 100 Hz, recorte/limitación (LED rojo), presencia de señal (LED verde), potencia (LED azul), todos los modelos

Protección, certificaciones de agencias Limitación térmica, encendido/apagado de silenciamiento, limitación de corriente de entrada de CA, FCC clase B (emisiones conducidas e irradiadas), enumerado por UL/CE

Requisitos de potencia de CA

	AC Amperes	BTU ⁴
Idle	<0.5 A	<100
1/8 Power ¹	2.5 A	570
1/3 Power ²	5.0 A	1380
Full Power ³	15.0 A	4010
Notes: (1) 1/8 power is typical of "maximum unclipped program levels". (2) 1/3 power represents "moderately clipped" operation. (3) Full power only occurs for short peaks. (4) BTU includes loudspeakers and amplifier.		

Conector de potencia de CA Juego de cables suministrado por la fábrica: Neutrik PowerCon en juego de cables norteamericanos de 10' (3m) #18AWG y 120V

Dimensiones 20.5" (521mm) W, 35.0" (889mm) H, 17.1" (432mm) D, incluidas las aletas posteriores del sumidero térmico Deje 100mm (4.0") de espacio libre detrás de la caja para asegurar un correcto enfriamiento del amplificador

Peso 89 lb/41 kg 88 lb/40 kg 89 lb/41 kg

Acabado y rejilla Todos los modelos- acabado de pintura texturizada resistente al desgaste con rejilla de acero perforado recubierta con polvo

Notas:

- 1- SPL máximo: Calculado agregando la sensibilidad del altavoz (1W a 1m) a la potencia pico (dBw) del amplificador provisto.
- 2- Cobertura: ángulo incluido entre puntos de -6dB, más X, menos Y dB, 500 a 3.2k Hz, tomado a intervalos de un tercio de octava preferidos por ISO o para un intervalo de frecuencias especificado de otro modo.
- 3- Índice de directividad (DI): Diferencia entre el SPL en el eje y el SPL medio (considerando todos los ejes) para el intervalo de cobertura especificado. DI= 10 log Q
- 4- Factor de directividad (Q): Índice de directividad expresado como relación de potencia Q=10 exp DI/10
- 5- Potencia del amplificador: La máxima potencia sostenida a menos de un 1% de recorte, promediado a lo largo del intervalo de frecuencias deseado,
- 6- Sensibilidad de entrada: El voltaje de entrada de onda senoidal requerido para alcanzar el recorte del amplificador, medido dentro del intervalo de frecuencias usado para determinar el SPL máximo, con la ganancia en "normal" y sin reducción de ganancia debido a la limitación.
- 7- Espacio libre de entrada/Recorte: Máximo voltaje de entrada.
- 8- Conector de entrada/Impedancia: La capacitancia de derivación de RF no debe reducir la impedancia en más del 30% a 20k Hz.
- 9- TBD= a determinar, datos no disponibles al momento de publicación

Garantía (sólo para EE.UU.; para otros países, consulte con su vendedor o distribuidor)

Renuncia

QSC Audio Products, Inc. no es responsable de ningún daño a los amplificadores ni a ningún otro equipo que sea causado por negligencia o instalación y/o uso incorrectos de este producto de altavoz.

Garantía limitada de 3 años de QSC Audio Products

QSC Audio Products, Inc. ("QSC") garantiza que sus productos estarán libres de defectos y/o de mano de obra por un período de tres (3) años a partir de la fecha de venta, y reemplazará piezas defectuosas y reparará productos que funcionan mal bajo esta garantía cuando el defecto ocurra bajo condiciones normales de instalación y uso - siempre y cuando la unidad se devuelva a nuestra fábrica o a una de nuestras estaciones de servicio autorizado por medio del transporte previamente pagado con una copia del comprobante de compra (es decir, recibo de ventas). Esta garantía requiere que el examen del producto devuelto indique, en nuestra opinión, un defecto de fabricación. Esta garantía no se extiende a ningún producto que hubiera estado sometido a uso indebido, negligencia, accidente, instalación incorrecta, o en el que se hubiera quitado o modificado el código de la fecha. QSC tampoco será responsable por daños incidentales y/o emergentes. Esta garantía le otorga derechos legales específicos. Esta garantía limitada es libremente transferible durante el período de la misma.

El cliente podría gozar de derechos adicionales, que podrían variar de un estado a otro.

En caso de que este producto fuera fabricado para exportación y venta fuera de los Estados Unidos o sus territorios, entonces no será aplicable esta garantía limitada. La eliminación del número de serie en este producto, o la compra de este producto, de un distribuidor no autorizado, anulará esta garantía limitada.

Esta garantía se actualiza periódicamente. Para obtener la versión más reciente de la declaración de garantía de QSC, visite www.qscaudio.com.

Comuníquese con nosotros al 800-854-4079 o visite nuestro sitio en Internet en www.qscaudio.com.

1675 MacArthur Blvd., Costa Mesa, CA, 92626 EE.UU.

Número principal (714) 754-6175 o línea sin costo (sólo en EE.UU.) (800) 854-4079

Servicio al Cliente (714) 957-7150 o línea sin costo (sólo en EE.UU.) (800) 772-2834

ES

QSC™

© Copyright 2005, 2006 QSC Audio Products, Inc.

QSC® es una marca comercial registrada de QSC Audio Products, Inc.

"QSC" y el logotipo de QSC están registrados con la Oficina de Patentes y Marcas Comerciales de los Estados Unidos

PowerCon® es una marca comercial registrada de Neutrik® y los nombres de los productos de Neutrik® mencionados aquí son marcas comerciales y/o marcas de servicio de Neutrik®.

Todas las marcas comerciales son propiedad de sus respectivos dueños.

Précautions importantes et explication des symboles

Installer conformément aux instructions de QSC Audio Products et d'un technicien professionnel diplômé.



AVERTISSEMENT !



ATTENTION : POUR RÉDUIRE LES RISQUE D'ÉLECTROCUTION, NE PAS RETIRER LE CAPOT. AUCUNE PIÈCE RÉPARABLE PAR L'UTILISATEUR À L'INTÉRIEUR. CONFIER TOUTE RÉPARATION À UN PERSONNEL QUALIFIÉ.



L'éclair fléché situé dans un triangle équilatéral a pour objet de signaler à l'utilisateur la présence d'une tension « dangereuse » non isolée dans le boîtier du produit suffisante pour présenter un risque d'électrocution pour l'homme.



Le point d'exclamation dans un triangle équilatéral a pour objet de signaler à l'utilisateur la présence d'instructions importantes d'utilisation et de maintenance (réparation) dans ce manuel.

- 1- Lire ces instructions.
- 2- Conserver ces instructions.
- 3- Respecter tous les avertissements.
- 4- Suivre toutes les instructions.
- 5- **AVERTISSEMENT** : Pour écarter les risques d'incendie et d'électrocution, ne pas exposer ce matériel à la pluie ou l'humidité. Ne pas utiliser cet appareil près de l'eau.
- 6- Nettoyer uniquement avec un chiffon sec.
- 7- Prévoir un dégagement minimum de 100 mm à l'arrière de l'enceinte pour un refroidissement par convection. Tout ce qui risquerait de réduire la circulation d'air doit être tenu à l'écart de l'arrière de l'enceinte (rideaux, tissu, etc.). Ne pas bloquer les bouches d'aération. Ce produit contient un amplificateur d'alimentation interne qui produit de la chaleur.
- 8- N'installer à proximité d'aucune source de chaleur comme des radiateurs, des registres de chaleur, des poêles ou d'autres appareils (y compris des amplis) qui dégagent de la chaleur.
- 9- Ne pas éliminer la sécurité de la fiche polarisée ou de terre. Une fiche polarisée comporte deux broches, l'une étant plus large que l'autre. Une fiche de terre a trois broches dont une broche de terre. La broche large ou troisième broche assure la sécurité. Si la fiche fournie n'entre pas dans la prise, consulter un électricien pour faire remplacer la prise obsolète.
- 10- Protéger le cordon d'alimentation pour que personne ne puisse marcher dessus, qu'il ne puisse pas être pincé, surtout les fiches, les prises confort et le point d'émergence du cordon de l'appareil.
- 11- Utiliser uniquement les accessoires spécifiés par QSC Audio Products, Inc.
- 12- Utiliser uniquement avec la visserie, les supports, socles et composants vendus avec l'appareil ou par QSC Audio Products, Inc.
- 13- Débrancher l'appareil en cas d'orage électrique ou lorsqu'il est inutilisé pendant longtemps.
- 14- Confier toutes les réparations à un personnel qualifié. Une réparation s'impose lorsque l'appareil a été endommagé d'une manière quelconque, par exemple endommagement du cordon d'alimentation ou de sa fiche, déversement de liquide ou chute d'objets sur ou à l'intérieur de l'appareil, exposition de l'appareil à la pluie ou l'humidité, fonctionnement anormal ou chute de l'appareil.
- 15- Avant de placer, installer, monter ou suspendre un haut-parleur, inspecter l'état de toute la visserie, du matériel de suspension, des armoires, des transducteurs, des supports et du matériel associé. Tout composant manquant, corrodé, déformé ou non adapté à la charge risque de réduire sensiblement la solidité de l'installation, sa mise en place ou sa portée. Une telle condition réduit sensiblement la sécurité de l'installation et doit être immédiatement corrigée. Utiliser uniquement du matériel de montage prévu pour les conditions de charge de l'installation et toute surcharge éventuelle à court terme imprévue. Ne jamais dépasser les spécifications nominales du matériel de montage ou de l'équipement.
- 16- Consulter un technicien professionnel diplômé en cas de doute ou de question concernant l'installation physique de l'équipement. S'assurer que toutes les réglementations locales, provinciales et nationales concernant la sécurité et le fonctionnement d'équipements de vol sont comprises et respectées.

Déclaration de la FCC relative aux interférences

REMARQUE : Suite à des tests, cet appareil s'est avéré conforme aux limites d'un appareil numérique de classe B, dans le cadre de la section 15 des règlements de la FCC. Ces limites visent à fournir une protection raisonnable contre les interférences nuisibles dans une installation résidentielle. Cet appareil produit, utilise et peut rayonner une énergie haute fréquence et, s'il n'est pas installé et utilisé conformément aux instructions, il risque d'interférer avec les communications radio. Toutefois, il n'est pas possible de garantir l'absence d'interférences dans une installation particulière. Si cet appareil cause des interférences nuisibles à la réception radio ou TV, ce qui peut être déterminé en l'éteignant puis en le rallumant, l'utilisateur est encouragé à essayer de corriger l'interférence en prenant l'une au moins des mesures suivantes :

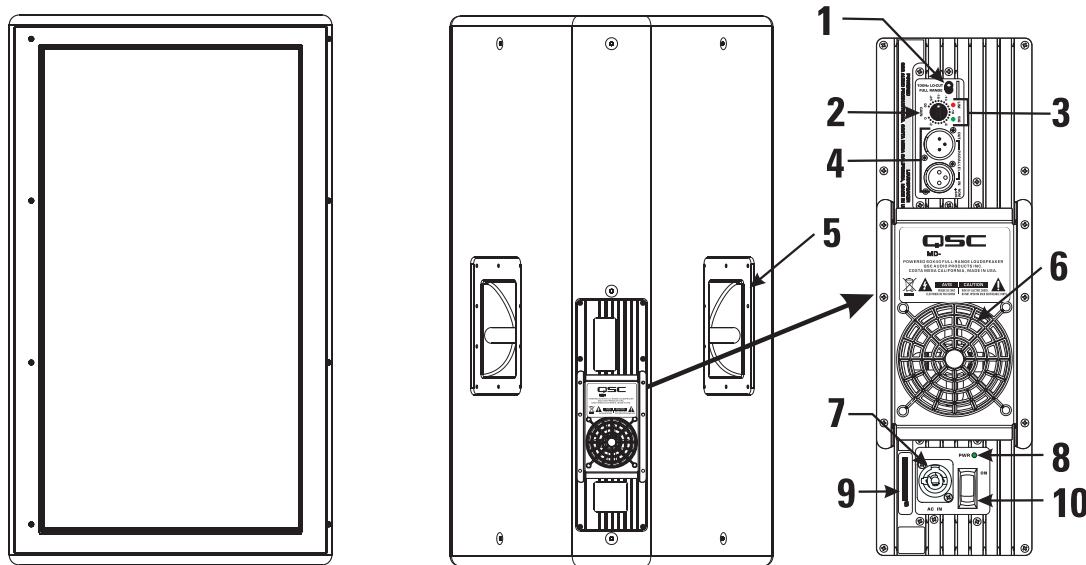
- Réorientation ou déplacement de l'antenne réceptrice.
- Éloignement de l'appareil par rapport au récepteur.
- Branchement de l'appareil sur une prise secteur appartenant à un autre circuit que celui du récepteur.
- Sollicitation de l'assistance du revendeur ou d'un spécialiste radio/TV.

Introduction

Félicitations et merci d'avoir acheté ce haut-parleur puissant pour professionnels. Pour tirer le maximum de cet investissement, il est conseillé de lire toutes les informations de ce manuel d'utilisation.

Les haut-parleurs auto-alimentés Modular Design (« MD »), caractérisés par une construction de qualité, procurent une excellente qualité sonore, un bon rendement énergétique et une parfaite amplification de puissance embarquée ; ils sont proposés dans une multitude de modèles et la conception standard de leurs enceintes facilite leur installation. La série MD alimentée peut résoudre davantage problèmes d'application que les conceptions concurrentes en raison de ses caractéristiques suivantes : solution d'installation autonome, égalisation et filtre passif optimisés, pavillon acoustique haute fréquence orientable, 15 points d'attache et augmentation de poids minimale par rapport aux versions non alimentées. Proposés en noir ou blanc, ces haut-parleurs sont la solution parfaite pour les lieux de culte, les salles de spectacle et les stades - toutes des applications qui demandent des systèmes audio flexibles et excellents.

Tous les modèles sont auto-alimentés, utilisant les blocs d'alimentation de mode de commutation haute fréquence et des amplificateurs de classe D efficaces. Le branchement sur secteur est facile et rapide ; une prise rapide verrouillable Neutrik PowerCon garantit une connexion fiable au secteur tout en fournissant un cordon d'alimentation facile à retirer pour assurer la mobilité de l'enceinte. Le son entre dans le haut-parleur auto-alimenté via un connecteur XLR ; une sortie XLR supplémentaire est incluse pour les connexions en guirlande. Des poignées figurent sur les enceintes noires seulement (pas de poignées sur les enceintes blanches). Les fonctions variant selon le modèle, consulter les brochures pour y lire les informations spécifiques.



- | | |
|--|--|
| 1- Sélecteur de filtre | 6- Ventilateur de refroidissement |
| 2- Réglage du gain | 7- Entrée secteur (prise PowerCon) |
| 3- Voyants du signal et du limiteur d'amplitude | 8- Voyants d'alimentation |
| 4- Connecteurs XLR d'entrée et de sortie | 9- Plaque du numéro de série |
| 5- Poignées, uniquement sur les enceintes noires | 10- Interrupteur d'alimentation (interrupteur général) |



REMARQUE ! Seules les enceintes noires sont équipées de poignées ! Les enceintes blanches n'ont pas de poignées.

Installation

On compte quinze (15) points d'attache sur l'enceinte MD ; quatre en haut et quatre en bas, deux sur chaque côté et trois à l'arrière de l'enceinte. À la sortie d'usine, chaque point d'attache est équipé d'un boulon à tête plate de résistance nominale. Ces boulons sont les composants portants de l'enceinte. Ne pas retirer ces boulons, sauf pour remplacer un boulon par un boulon à œil à collier forgé. Si une vis à tête plate est perdue, contacter le service technique QSC pour obtenir une vis de rechange.



S'assurer que toutes les attaches des points d'attache sont installées et correctement serrées pour maintenir la résistance nominale de l'enceinte. En outre, les fuites d'air résultant de la visserie manquante dégraderont la performance des haut-parleurs.

Utiliser uniquement des boulons à œil à collier forgés de 19 mm, 16 filets par pouce, numéro de référence QSC SR-000096-00. Pour des informations complètes, contacter le service technique QSC.

Avant de placer, installer, monter ou suspendre un haut-parleur, inspecter l'état de toute la visserie, du matériel de suspension, des armoires, des transducteurs, des supports et du matériel associé. Tout composant manquant, corrodé, déformé ou non adapté à la charge risque de réduire sensiblement la solidité de l'installation, sa mise en place ou sa portée. Une telle condition réduit sensiblement la sécurité de l'installation et doit être immédiatement corrigée. Utiliser uniquement du matériel de montage prévu pour les conditions de charge de l'installation et toute surcharge éventuelle à court terme imprévue. Ne jamais dépasser les spécifications nominales du matériel de montage ou de l'équipement.

Consulter un technicien professionnel diplômé en cas de doute ou de question concernant l'installation physique de l'équipement. S'assurer que toutes les réglementations locales, provinciales et nationales concernant la sécurité et le fonctionnement d'équipements de vol sont comprises et respectées.

Installation (suite)

Refroidissement

L'amplificateur de puissance interne de ce produit génère un certain dégagement de chaleur comme condition normale de fonctionnement. Compter un dégagement de 100 mm minimum à l'arrière de l'enceinte pour une ventilation adéquate et éviter toute exposition aux spots électriques chauds ou à la lumière directe du soleil. Pour les températures ambiantes inférieures à 40 °C, le ventilateur restera normalement arrêté. Entre 40 et 50 °C, le ventilateur fonctionnera pendant des périodes toujours plus longues. À plus de 55 °C, la protection interne contre la surchauffe commencera à fonctionner. L'appareil réduira son gain et il est possible que plus aucun son n'en sorte. Si le ventilateur semble fonctionner constamment, essayer de réduire la température ambiante pour assurer une performance maximale.

Tout ce qui risquerait de réduire la circulation d'air doit être tenu à l'écart de l'arrière de l'enceinte (rideaux, tissu, etc.).



Ne pas installer les enceintes avec les panneaux arrière exposés à la lumière directe du soleil. La lumière directe du soleil chauffera le module de l'amplificateur et réduira son aptitude à produire une sortie maximale. Installer des rideaux si l'application le mérite.

La température ambiante maximale pour une performance complètement conforme aux spécifications est de 45 °C.

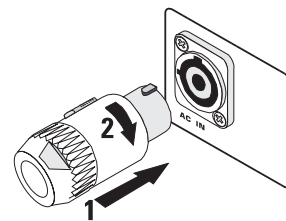
Ne pas installer les enceintes à un endroit exposé à la pluie ou d'autres sources d'eau. L'enceinte n'est pas étanche. Les installations extérieures doivent fournir une protection des éléments.

FR

Alimentation secteur (~)

Branchement de l'alimentation secteur (~)

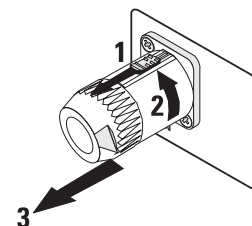
Orienter le connecteur PowerCon en l'alignant sur la prise PowerCon située sur le panneau arrière du haut-parleur. Il est à un sens et n'entrera dans la prise qu'à condition d'être correctement aligné. Insérer le connecteur à fond et tourner dans le sens horaire jusqu'à ce que le mécanisme de blocage s'enclenche.



La tension secteur (~) correcte est indiquée sur l'étiquette du numéro de série, sur le panneau arrière. Le branchement de l'amplificateur sur une tension secteur incorrecte risque d'endommager l'appareil et d'augmenter le risque d'électrocution.

Débranchement de l'alimentation secteur (~)

Pour retirer le connecteur, tirer sur la patte de blocage métallique et tourner le connecteur dans le sens anti-horaire jusqu'à ce qu'il bute, puis tirer pour ôter le connecteur de la prise.



Interrupteur de marche/arrêt

Appuyez sur le haut de l'interrupteur à bascule pour mettre le haut-parleur sous tension secteur. Appuyez sur le bas de l'interrupteur à bascule pour mettre le haut-parleur hors tension secteur.

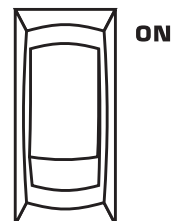
Lorsque le haut-parleur est sous tension, le voyant d'alimentation bleu et le voyant LIM (limiteur) rouge s'allument ; au bout de quelques secondes, le voyant LIM rouge s'éteint.

PWR ●

Voyant d'alimentation

Le voyant d'alimentation bleu s'allume lorsque l'interrupteur de marche/arrêt est sur position Marche, le cordon d'alimentation secteur est bien branché et l'alimentation secteur fonctionne correctement. Le voyant d'alimentation s'éteint lorsque l'interrupteur de marche/arrêt est sur Arrêt ou que l'alimentation secteur a été débranchée du haut-parleur.

Si le voyant d'alimentation ne s'allume pas lorsque l'interrupteur de marche/arrêt est sur Marche, assurez-vous que le cordon d'alimentation secteur est bien branché sur le haut-parleur et sur la prise secteur. Assurez-vous que la prise secteur fonctionne correctement.



Si le cordon d'alimentation secteur est en bon état, que la prise secteur fonctionne correctement, mais que le haut-parleur ne fonctionne pas, le haut-parleur pourra exiger une réparation. Contacter le service technique de QSC.

Branchements d'entrée/de sortie

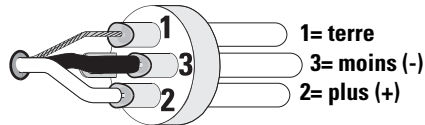
Le MD actif a un connecteur d'entrée XLR femelle à 3 broches équilibré libellé IN et un connecteur de sortie XLR mâle libellé OUT. Ces connecteurs sont branchés en parallèle, permettant la connexion d'enceintes multiples en guirlande.

Les connexions équilibrées sont recommandées pour diminuer le ronflement et les interférences, surtout avec de longs câbles. Les branchements non équilibrés peuvent être adaptés à des câbles courts. L'impédance de source du signal doit être inférieure à 600 ohms.

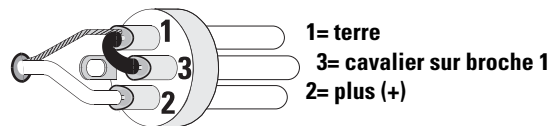
Branchement d'entrée

Insérer le connecteur XLR mâle dans la prise marquée IN. S'assurer que le connecteur est bien enfiché. L'impédance d'entrée est de 12 kilo-ohms (équilibrée) ou de 6 kilo-ohms (non équilibrée).

Entrées équilibrées : connecter à la fiche comme illustré.



Entrées non équilibrées : connecter à la fiche comme illustré. Les broches 3 et 1 doivent être connectées avec un cavalier comme illustré.



Branchement de sortie

Insérer le connecteur XLR femelle dans la prise marquée OUT. Brancher l'autre extrémité du câble sur le connecteur d'entrée de l'appareil audio suivant en aval.

Commande de gain

La commande de gain est renfoncée et se règle avec un petit tournevis ou un outil plat. Tourner la commande de gain dans le sens des aiguilles d'une montre pour augmenter le gain et dans le sens inverse pour le diminuer. L'atténuation en dB (à partir du maximum) apparaît sur l'étiquette.

La commande de gain est indiquée en dB d'atténuation. Il existe 21 détentes pour des réglages reproductibles. Les 14 paliers supérieurs sont d'environ 1 dB chacun et les réglages doivent normalement être opérés effectués dans cette plage. La plage inférieure à -14 dB ne doit pas être utilisée pour des niveaux de programme normaux, car la marge de sécurité pourrait être dépassée, mais elle peut être utilisée pour des tests à des niveaux réduits. Au réglage minimal, le signal est complètement coupé.

Sélecteur de filtre

Au-dessus de la commande de gain se trouve un petit commutateur à bascule qui permet la sélection du fonctionnement Pleine gamme ou applique un filtre passe-bas de 100 Hz au système.

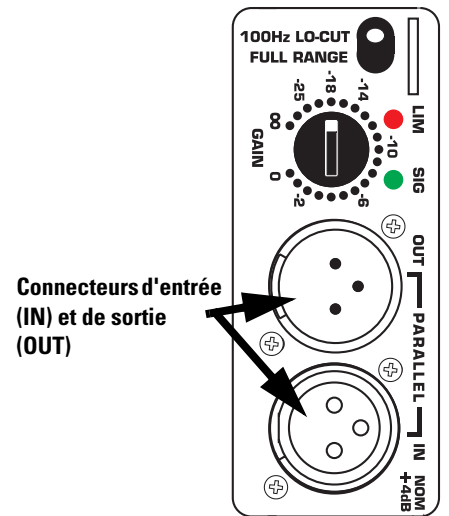
Réglage Full Range

Utiliser le réglage Full Range (pleine gamme) pour les applications avec caisson d'extrêmes graves ou enceintes basse fréquence dédiées.

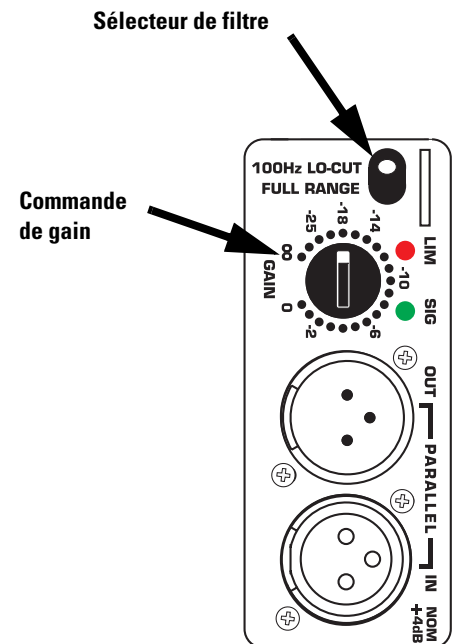
Réglage 100 Hz Lo-Cut

Utiliser le réglage 100 Hz Lo-Cut (filtre passe-bas 100 Hz) pour les applications à caissons d'extrêmes graves ou systèmes basse fréquence en option.

Le coin bidirectionnel aura sa teneur en basses fréquences inférieures à 100 Hz filtrée à 24 dB par octave, donnant une distorsion moindre à basses fréquences et une plus grande clarté dans les moyennes fréquences.



Connecteurs d'entrée (IN) et de sortie (OUT)



Voyant SIG (Signal)

Le voyant SIG (signal) vert alerte l'utilisateur à la présence d'un signal d'entrée en direction du haut-parleur MD.

Indication normale

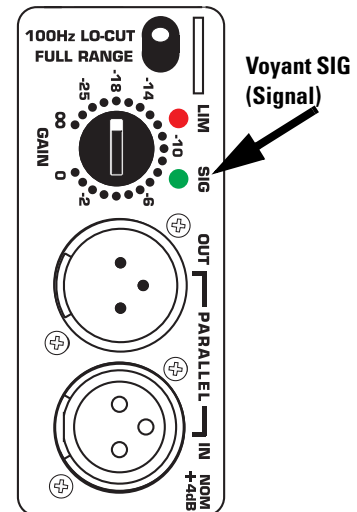
Le voyant SIG vert s'allume lorsque le signal d'entrée dépasse -25 dB.

Absence d'indication

Vérifier les réglages de gain et augmenter le gain au besoin. Vérifier les connexions d'entrée et la source audio correspondant au signal. Si le voyant LIM rouge s'allume, se reporter à la section « Voyant LIM » ci-dessous.

Indication anormale

Si le voyant SIG vert s'allume sans entrée de signal, il peut y avoir des oscillations système ou un autre dysfonctionnement. Déconnecter l'entrée et réduire complètement le gain. Si le voyant SIG vert reste allumé, il faudra peut-être nécessaire de faire réparer l'amplificateur.



Voyant LIM (Limiteur)

Le voyant LIM rouge alerte l'utilisateur à plusieurs états anormaux dans le haut-parleur MD :

Voyant rouge vif allumé en continu

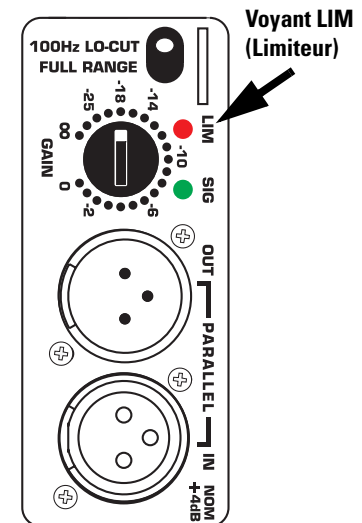
- Indique le mode Silence de protection.
- Le haut-parleur passe normalement dans ce mode pendant quelques secondes après l'application d'alimentation, après quoi le voyant doit s'éteindre et le son être à nouveau audible.
- Si le haut-parleur passe en mode Silence en cours de fonctionnement, il a surchauffé ou rencontré un état d'erreur.
- Une surchauffe devrait se résoudre d'elle-même en 1-2 minutes, après quoi le son devrait être à nouveau audible. Pour une explication complète de la protection thermique, voir ci-dessous.
- De brèves périodes de silence indiquent l'état d'erreur d'un composant. Dans ce cas, l'alimentation secteur doit être coupée et le haut-parleur réparé.

Clignotements rouge vif momentanés

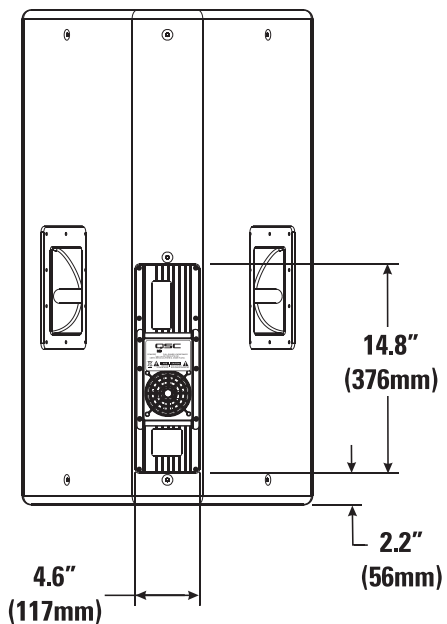
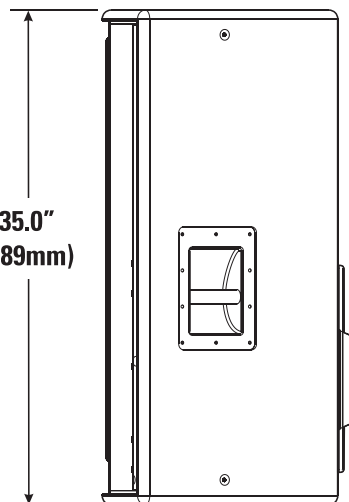
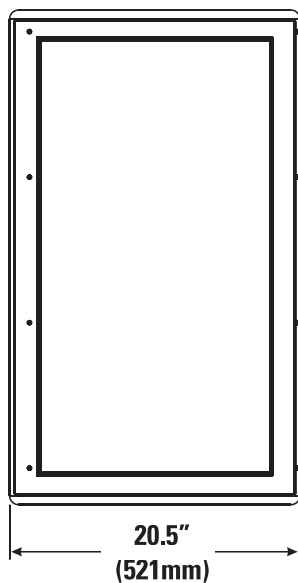
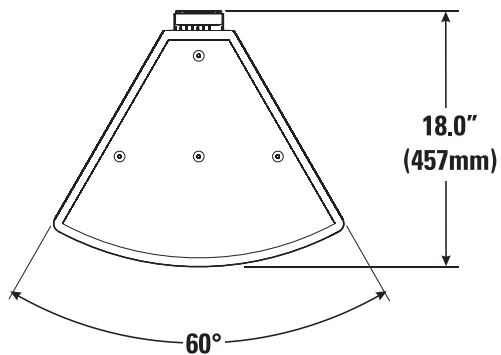
- En cours de fonctionnement, un clignotement rouge vif indique une limitation d'amplitude (distorsion de surmultiplication).
- Ceci est normalement dû à un volume excessif et sera probablement accompagné d'une distorsion audible.
- Si le haut-parleur passe en mode Silence de manière répétée durant des crêtes, il pourra s'agir de l'état d'erreur d'un composant. Couper l'alimentation secteur et faire réparer le haut-parleur.

Voyant rouge semi-vif allumé en continu

- Indique que le limiteur interne réduit le gain en raison d'une limitation d'amplitude prolongée et/ou d'une température excessive.
- Au bout de quelques secondes de limitation d'amplitude sévère, le limiteur réduira la puissance pour protéger le haut-parleur et améliorer le son. L'allumage du voyant est continu (rouge semi-vif). Toute limitation d'amplitude supplémentaire produira toujours des clignotements vifs en plus de l'indication semi-vive continue. Une fois le niveau de programme réduit, le limiteur se désactive au bout de quelques secondes et le voyant rouge s'éteint.
- Si le module d'alimentation surchauffe, la première réponse consiste à limiter le déclenchement, pour réduire le volume et endiguer toute hausse de température supplémentaire. Le voyant est allumé en continu (rouge semi-vif) et reste ainsi même après réduction du niveau de programme. La chute de température et la désactivation du limiteur pourront prendre quelques minutes. Durant cette période, le dissipateur de chaleur exposé sera très chaud au toucher. Si la surchauffe continue, l'amplificateur finira par passer en mode Silence, ce qui se traduira par un voyant rouge vif. Une fois le mode Silence désactivé, l'amplificateur reprendra son fonctionnement, la limitation thermique étant toujours active jusqu'à ce que le refroidissement se poursuive encore.
- Une surchauffe est généralement causée par une température ambiante excessive, dans la mesure où la hausse de température interne du module d'alimentation de classe D est relativement faible. Protéger le haut-parleur contre les températures excessives, notamment en évitant de le placer sur une bouche de chauffage ou à la lumière directe du soleil qui précipitera sur la surface du dissipateur de chaleur.



Dimensions



FR



REMARQUE ! Seules les enceintes noires sont équipées de poignées ! Les enceintes blanches n'ont pas de poignées.

Position des points d'attache

On compte quinze (15) points d'attache sur l'enceinte MD ; quatre en haut et quatre en bas, deux sur chaque côté et trois à l'arrière de l'enceinte. Ces points d'attache sont indiqués par des flèches sur l'illustration. Notez que les points d'attache sur le bas de l'enceinte ne sont pas illustrés, mais ils sont identiques à ceux indiqués sur le dessus de l'enceinte.

À la sortie d'usine, chaque point d'attache est équipé d'un boulon à tête plate de résistance nominale. Ces boulons sont les composants portants de l'enceinte. Ne pas retirer ces boulons, sauf pour remplacer un boulon par un boulon à œil à collier forgé. Si une vis à tête plate est perdue, contacter le service technique QSC pour obtenir une vis de rechange.



S'assurer que toutes les attaches des points d'attache sont installées et correctement serrées pour maintenir la résistance nominale de l'enceinte. En outre, les fuites d'air résultant de la visserie manquante dégraderont la performance des haut-parleurs.

Utiliser uniquement des boulons à œil à collier forgés de 19 mm, 16 filets par pouce, numéro de référence QSC SR-000096-00. Pour des informations complètes, contacter le service technique QSC.

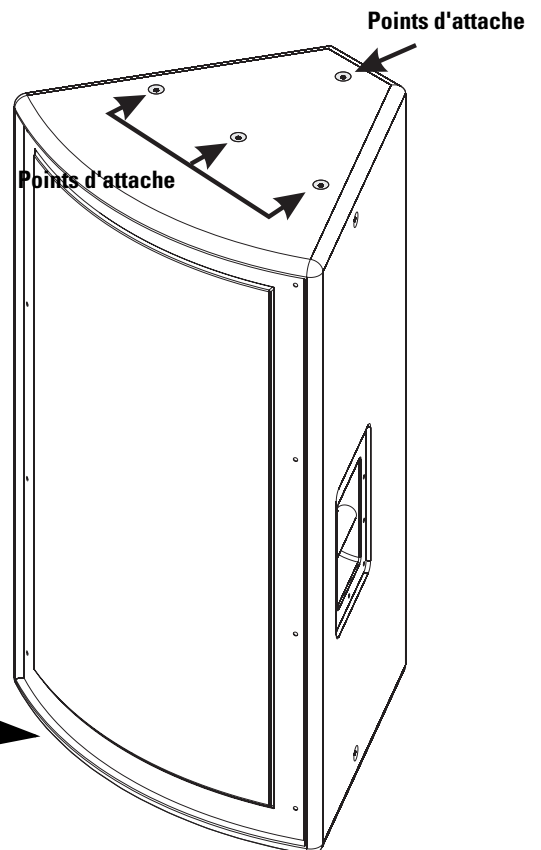
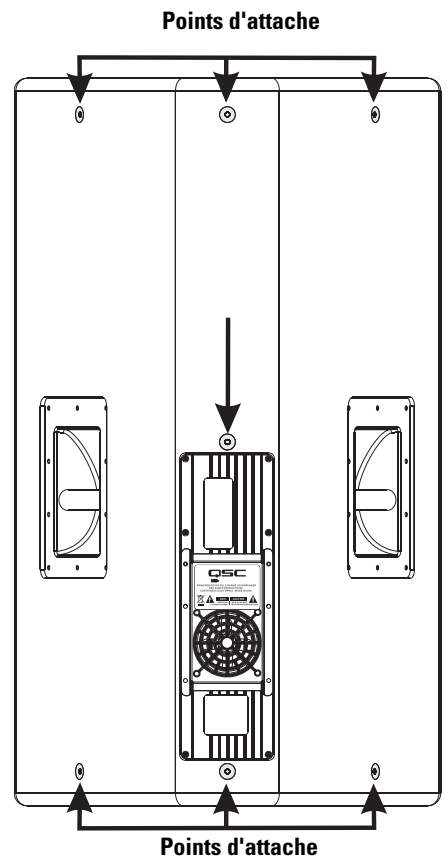
Avant de placer, installer, monter ou suspendre un haut-parleur, inspecter l'état de toute la visserie, du matériel de suspension, des armoires, des transducteurs, des supports et du matériel associé. Tout composant manquant, corrodé, déformé ou non adapté à la charge risque de réduire sensiblement la solidité de l'installation, sa mise en place ou sa portée. Une telle condition réduit sensiblement la sécurité de l'installation et doit être immédiatement corrigée. Utiliser uniquement du matériel de montage prévu pour les conditions de charge de l'installation et toute surcharge éventuelle à court terme imprévue. Ne jamais dépasser les spécifications nominales du matériel de montage ou de l'équipement.

Consulter un technicien professionnel diplômé en cas de doute ou de question concernant l'installation physique de l'équipement. S'assurer que toutes les réglementations locales, provinciales et nationales concernant la sécurité et le fonctionnement d'équipements de vol sont comprises et respectées.



4 points d'attache supplémentaires en bas de l'enceinte.

REMARQUE ! Seules les enceintes noires sont équipées de poignées ! Les enceintes blanches n'ont pas de poignées.



Rotation du pavillon acoustique

Les angles de couverture pour chaque modèle, tels qu'expédiés de l'usine, sont indiqués à la section des caractéristiques techniques suivantes. Au besoin, l'ensemble pavillon acoustique/étage d'attaque haute fréquence peut être tourné de 90° pour modifier les plans de couverture.

Exemple : Un MD-FP122/64r tel qu'expédié de l'usine a une couverture nominale de 60° dans le plan horizontal et de 40° dans le plan vertical quand l'enceinte est normalement orientée (verticalement, comme indiqué à droite). Pour modifier la couverture à 40° dans le plan horizontal et à 60° dans le plan vertical, l'ensemble pavillon acoustique/étage d'attaque haute fréquence devrait être retiré, tourné de 90°, puis réinstallé.

Rotation du pavillon acoustique



Remarque ! Il est toujours préférable de se faire aider pour manipuler de grands ensembles comme cette enceinte. La grille est sous tension lorsqu'elle est installée ! Veiller à fixer temporairement la grille avec un ruban adhésif ou indiquer à quelqu'un de tenir la grille par son bord tout en retirant ses vis de fixation.

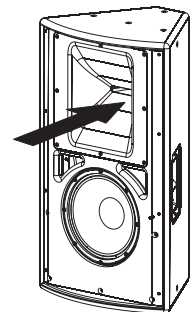
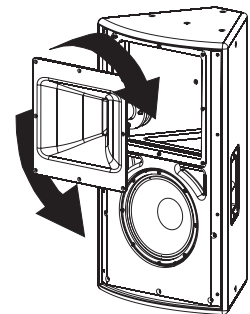
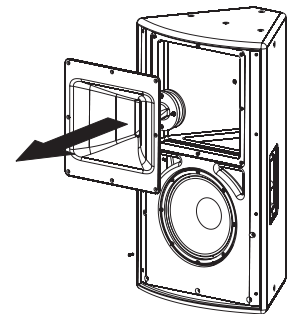
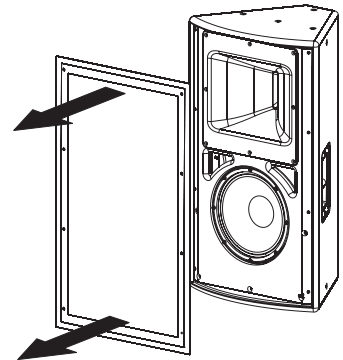
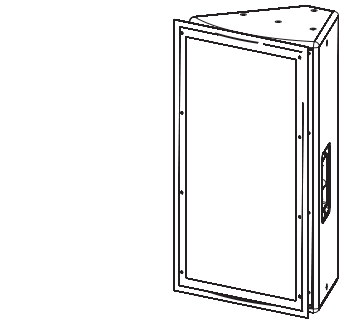
1- Retirer les quatre vis d'un côté de la grille tout en indiquant à un assistant de la tenir pour l'empêcher de se détacher. Retirer les quatre vis de l'autre côté de la grille. Mettre la grille et les vis de côté.

2- Retirer les huit vis de retenue du pavillon acoustique. Soulevez délicatement le pavillon acoustique de son renforcement de fixation tout en veillant à ne pas déchirer ni tirer sur le joint de mousse entre le pavillon acoustique et l'enceinte.

3- Tourner le pavillon acoustique à la position désirée et le remettre dans son renforcement, en veillant à ce que le joint soit correctement positionné.

4- Installer les huit vis de retenue du pavillon acoustique. Ne pas serrer les vis à fond avant de les avoir toutes installées et serrées à la main. Ceci permettra d'éviter le risque de fissuration du pavillon acoustique. Serrer à fond les vis.

5- Positionner et aligner la grille pour réinstallation. Installer quatre vis d'un côté ; ne pas serrer à fond. Courber délicatement la grille sur l'avant de l'enceinte et installer les quatre vis restantes. Il est plus facile de demander à quelqu'un de tenir la grille en place en installant les quatre vis.



Les vis de retenue de la grille doivent être serrées à 0,35-0,40 kg/m (30-35 lb/in)

Les vis de retenue du pavillon acoustique doivent être serrées à 0,46 kg/m (40 lb/in)

Caractéristiques techniques

MD-FP122/64r

MD-FP122/94r

MD-FP122/124r

Réponse en fréquence, ±3 dB	50-17,5 kHz	55-20 kHz	55-18,6 kHz
Plage de fréquence, -10 dB	50-18 kHz	50-20,5 kHz	50-20 kHz
SPL de crête maximum	128 dB	128 dB	128 dB
Couverture nominale, H x V (comme installé à l'usine)	60°x40°	90°x40°	120°x40°
Indice de directivité	13	11,1	9,6
Facteur de directivité	19,8	13	9,1
Fréq. de filtre passif acoustique	1,4 kHz	1,4 kHz	1,2 kHz
Description du transducteur	LF : diamètre de 305 mm, bobine mobile de 102 mm, aimant de ferrite HF : diamètre de sortie de 36 mm, bobine mobile de 64 mm, aimant de néodyme, tous les modèles		
Puissance d'ampli	LF : 800 W, HF : 200 W, tous les modèles		
Sensibilité d'entrée	1,2 V _(efficace) (+4 dB), tous les modèles		
Marge de sécurité d'entrée/limitation d'amplitude	7,5 V _(efficace) (+19,5 dB), tous les modèles		
Connecteur d'entrée/impédance	XLR femelle, 20 kilo-ohms, équilibré, tous les modèles		
Connecteur de sortie	XLR mâle, branché en parallèle avec le connecteur d'entrée		
Commandes, voyants et ensemble de Réglages	pavillon acoustique orientable, Commande de gain, commutateur de filtre passe-haut 100 Hz, limitation d'amplitude (voyant rouge), présence d'un signal (voyant vert), alimentation secteur (voyant bleu), tous les modèles		
Protection, certifications d'organisations	Limitation thermique, marche/arrêt silence, limitation de courant d'appel secteur, FCC classe B (émissions conduites et rayonnées), homologation UL/CE		

Exigences d'alimentation secteur

	AC Amperes	BTU ⁴
Idle	<0.5 A	<100
1/8 Power ¹	2.5 A	570
1/3 Power ²	5.0 A	1380
Full Power ³	15.0 A	4010

Notes:
(1) 1/8 power is typical of "maximum unclipped program levels".
(2) 1/3 power represents "moderately clipped" operation.
(3) Full power only occurs for short peaks.
(4) BTU includes loudspeakers and amplifier.

Connecteur d'alimentation secteur

Cordon fourni par l'usine : Neutrik Powercon sur cordon de 3 m 18 AWG 120 V (Amérique du Nord)

Dimensions

521 mm (L), 889 mm (H), 432 mm (P), y compris les ailerons du dissipateur de chaleur arrière
Prévoir un espace de 100 mm derrière l'enceinte pour assurer le refroidissement correct de l'amplificateur

Poids

40 kg

40 kg

41 kg

Finition et grille

Tous les modèles - Peinture texturée résistant à l'usure avec grille d'acier perforée peinte en poudre

Remarques :

- 1- SPL (niveau sonore) de crête maximum : calculé en ajoutant la sensibilité du haut-parleur (1 W à 1 m) à la puissance de crête (dBw) de l'amplificateur fourni
- 2- Couverture : Angle inclus entre points -6 dB, plus X, moins Y dB, 500 à 3,2 kHz, mesurée à intervalles tiers d'octave préféré par l'ISO ou pour une plage de fréquence autrement spécifiée.
- 3- Indice de directivité (ID) : différence entre SPL sur axe et SPL moyen (moyenne de tous les axes) pour la plage de couverture spécifiée ID= 10 log Q
- 4- Facteur de directivité (Q) : indice de directivité exprimé sous forme de rapport de puissance Q=10 exp ID/10
- 5- Puissance d'amplificateur : puissance soutenue maximum à moins de 1% de limitation d'amplitude, dont la moyenne est calculée sur la plage de fréquence prévue
- 6- Sensibilité d'entrée : tension d'entrée sinusoïdale requise pour atteindre la limitation d'amplitude de l'amplificateur, mesurée dans la plage de fréquence utilisée pour déterminer le SPL de crête maximum, avec le gain sur « normal » et aucune réduction du gain pour cause de limitation
- 7- Marge de sécurité d'entrée/limitation d'amplitude : tension d'entrée maximum
- 8- Connecteur d'entrée/impédance : la capacité de shunt RF ne doit pas réduire l'impédance de plus de 30 % à 20 kHz.
- 9- TBD = à déterminer, données indisponibles à la mise sous presse

Garantie (États-Unis seulement ; dans les autres pays, consulter le revendeur ou le distributeur)

Avis de non-responsabilité

QSC Audio Products, Inc. n'est pas responsable des dommages subis par les amplificateurs ou tout autre équipement causé par un acte de négligence ou une installation impropre et/ou l'utilisation de ce haut-parleur.

QSC Audio Products - Garantie limitée de 3 ans

QSC Audio Products, Inc. (« QSC ») garantit que ses produits sont dépourvus de tout vice de fabrication et /ou de matériel pendant une période de trois (3) ans à partir de la date de vente et remplacera les pièces défectueuses et réparera les produits qui fonctionnent mal dans le cadre de cette garantie si le défaut survient dans des conditions normales d'installation et d'utilisation - à condition que l'appareil soit retourné à l'usine ou à l'un de nos centres de réparation agréés en port prépayé, accompagné d'un justificatif d'achat (facture, par ex.). Cette garantie prévoit que l'examen du produit retourné doit indiquer, selon notre jugement, un défaut de fabrication. Cette garantie ne s'étend à aucun produit qui a été soumis à une utilisation abusive, un acte de négligence, un accident, une installation incorrecte ou un produit dont le code-date a été retiré ou effacé. QSC ne pourra être tenue pour responsable de dommages accessoires et/ou indirects. Cette garantie vous accorde des droits spécifiques. Cette garantie limitée est librement cessible durant sa période de validité.

Le client pourra bénéficier d'autres droits, variables d'une juridiction à l'autre.

Si ce produit a été fabriqué pour une exportation et une vente en dehors des États-Unis ou de ses territoires, cette garantie limitée ne s'appliquera pas. Le retrait du numéro de série sur ce produit ou l'achat de ce produit auprès d'un revendeur non agréé annulera cette garantie limitée.

Cette garantie est régulièrement mise à jour. Pour obtenir la toute dernière version de la garantie de QSC, rendez-vous sur le site www.qscaudio.com.

Contactez-nous au 800-854-4079 ou visitez notre site Web www.qscaudio.com

1675 MacArthur Blvd., Costa Mesa, CA 92626

Téléphone (standard) (714) 754-6175 ou numéro vert (États-Unis seulement) (800) 854-4079

Service clientèle(714) 957-7150 ou numéro vert (États-Unis seulement) (800) 772-2834

QSC™

© Copyright 2005, 2006 QSC Audio Products, Inc.

QSC® est une marque déposée de QSC Audio Products, Inc.

QSC et le logo QSC sont des marques déposées auprès de l'U.S. Patent and Trademark Office.

PowerCon® est une marque déposée de Neutrik® et les noms de produit Neutrik® désignés dans ce document sont des marques déposées et/ou des marques de service de Neutrik®.

Toutes les marques de commerce appartiennent à leur propriétaire respectif.

Wichtige Sicherheitsvorkehrungen und Erläuterung der Symbole

Die Installation unter der Aufsicht eines lizenzierten Fachtechnikers gemäß der Anleitung von QSC Audio Products vornehmen lassen.



ACHTUNG!

**VORSICHT: ZUR REDUZIERUNG DES STROMSCHLAGRISIKOS DIE ABDECKUNG NICHT ABNEHMEN.
KEINE VOM BENUTZER ZU WARTENDEN INNENKOMPONENTEN. FÜR ALLE WARTUNGSARBEITEN DAFÜR QUALIFIZIERTES
PERSONAL EINSETZEN.**



Das aus einem Blitz mit einer Pfeilspitze bestehende Symbol in einem Dreieck soll den Benutzer auf das Vorhandensein nicht isolierter, gefährlicher Spannungen innerhalb des Gehäuses aufmerksam machen, die stark genug sein können, um einen elektrischen Schlag abzugeben.



Das Ausrufezeichen in einem Dreieck soll den Benutzer auf das Vorhandensein wichtiger Betriebs- und Wartungsanleitungen in diesem Handbuch aufmerksam machen.

1. Diese Anleitung sorgfältig durchlesen.
2. Diese Anleitung gut aufbewahren.
3. Alle Warnungen beachten.
4. Alle Anweisungen befolgen.
5. **ACHTUNG:** Zur Vermeidung von Bränden und Stromschlägen darf diese Ausrüstung weder Regen noch Feuchtigkeit ausgesetzt werden. Dieses Gerät nicht in Wassernähe verwenden.
6. Nur mit einem trockenen Tuch reinigen.
7. An der Gehäuserückseite mindestens 4 Zoll (100 mm) Abstand einhalten, damit das Gerät richtig gekühlt wird. Alle Gegenstände, die den Luftstrom von der Gehäuserückseite beeinträchtigen könnten (z. B. Vorhänge, Stoff usw.), entfernen. Keine Lüftungsöffnungen blockieren. Dieses Produkt enthält einen internen Leistungsverstärker, der Wärme erzeugt.
8. Nicht in der Nähe von Wärmequellen wie Heizkörpern, Warmluftschiebern, Öfen oder anderen Geräten (einschließlich Verstärkern) aufstellen, die Wärme abstrahlen.
9. Die Sicherheitsfunktion des Verpolschutz- oder Schutzkontaktsteckers nicht außer Kraft setzen. Ein Stecker mit Verpolschutz verfügt über zwei Stifte, von denen einer breiter ist als der andere (nur für USA/Kanada). Ein Schutzkontaktstecker besitzt zwei Stifte und einen Erdungspol (nur für USA/Kanada). Der breite Stift bzw. der dritte Pol ist zu Ihrer Sicherheit vorgesehen. Wenn der im Lieferumfang enthaltene Stecker nicht in Ihre Steckdose passt, ist diese veraltet und muss von einem Elektriker ersetzt werden.
10. Das Netzkabel so verlegen, dass niemand darauf treten oder es eingeklemmt werden kann. Dies gilt insbesondere für Stecker, Steckdosen und die Stelle, an der das Kabel aus dem Gerät austritt.
11. Nur von QSC Audio Products, Inc. spezifiziertes Zubehör verwenden.
12. Nur mit Befestigungsteilen, Halterungen, Ständern und Komponenten verwenden, die zusammen mit dem Gerät bzw. von QSC Audio Products, Inc. verkauft werden.
13. Das Netzkabel des Geräts während Gewittern oder wenn es längere Zeit nicht benutzt wird, von der Steckdose abziehen.
14. Wartungsarbeiten nur von qualifiziertem Instandhaltungspersonal ausführen lassen. Das Gerät muss immer dann gewartet werden, wenn es auf irgendeine Weise beschädigt wurde, z. B. wenn das Netzkabel oder der Netzstecker beschädigt ist, Flüssigkeiten auf dem Gerät verschüttet oder Gegenstände in das Gerät gefallen sind, das Gerät Regen oder Feuchtigkeit ausgesetzt wurde, es nicht normal funktioniert oder fallen gelassen wurde.
15. Vor dem Aufstellen, Installieren, Rigging oder Aufhängen von Lautsprecherprodukten alle Befestigungsteile, Aufhängungen, Gehäuse, Wandler, Halterungen und damit in Verbindung stehende Vorrichtungen auf eventuelle Schäden inspizieren. Fehlende, korrodierte, verformte oder nicht belastbare Komponenten können die Stabilität der Installation, der Aufstellung oder der Gerätekombination deutlich reduzieren. Jeder Zustand dieser Art bewirkt eine erhebliche Verringerung der Sicherheit der Installation und sollte umgehend behoben werden. Ausschließlich Befestigungsteile verwenden, die für die Belastungsbedingungen der Installation zugelassen und für jede potenzielle, unerwartete oder kurzfristige Überlastung ausgelegt sind. Die Nennleistung der Befestigungsteile bzw. Ausrüstung darf keinesfalls überschritten werden.
16. Bei Fragen zur Installation eines Geräts einen qualifizierten Techniker hinzuziehen. Alle anwendbaren Vorschriften und Bestimmungen in Bezug auf die Sicherheit und Betrieb von Ausrüstung mit Flug-Armaturen müssen verstanden und eingehalten werden.

FCC-Hinweis zu Empfangsstörungen

HINWEIS: Dieses Gerät wurde getestet und gemäß Teil 15 der FCC-Regeln als in Übereinstimmung mit den Grenzwerten für ein digitales Gerät der Klasse B befindlich befunden. Diese Grenzwerte sollen einen angemessenen Schutz vor schädlichen Empfangsstörungen bei einer Installation in Wohnbereichen bieten. Dieses Gerät erzeugt und nutzt Hochfrequenzenergie und kann diese ausstrahlen. Wenn es nicht in Übereinstimmung mit der Gebrauchsanleitung installiert und benutzt wird, kann das Gerät Störungen der Funkkommunikation verursachen. Es gibt jedoch keine Garantie dafür, dass in einer bestimmten Installation keine Störungen auftreten. Falls dieses Gerät unerwünschte Störungen des Radio- oder Fernsehempfangs verursachen sollte, was durch Ein- und Ausschalten des Geräts festgestellt werden kann, sollte der Benutzer versuchen, die Störungen anhand einer oder mehrerer der folgenden Maßnahmen zu beheben:

- durch eine andere Ausrichtung oder Aufstellung der Empfangsantenne;
- durch die Vergrößerung des Abstands zwischen Gerät und Empfänger;
- durch das Anschließen des Geräts an eine Steckdose eines anderen Stromkreises als dem, an dem der Empfänger angeschlossen ist;
- durch Rücksprache mit dem Händler oder einem erfahrenen Radio-/Fernsehtechniker, um sich beraten zu lassen.

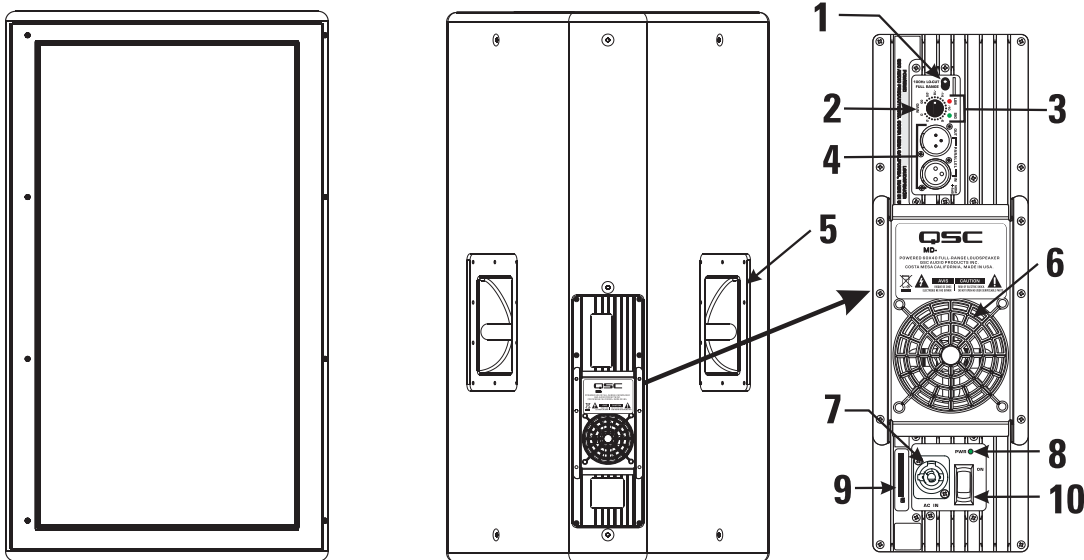
DE

Einführung

Herzlichen Dank für Ihren Kauf dieses professionellen, mit Strom versorgten Lautsprecherprodukts! Um Ihre Anlage optimal zu nutzen, empfehlen wir, dass Sie alle Informationen in diesem Benutzerhandbuch genau durchlesen.

Die modulare Bauweise (Modular Design oder "MD") von eigenstromversorgten Lautsprechern bietet hervorragende Tonqualität, qualitativ hochwertige Bauweise, geringen Stromverbrauch und saubere Bordleistungsverstärkung. Eine Vielzahl von Modellen mit gemeinsamem Gehäusedesign vereinfacht die Installation. Die eigenständige Installationslösung, das optimierte Equalizing und Crossover, der drehbare Hochfrequenz-Schalltrichter, 15 Befestigungspunkte und minimale Gewichtszunahme im Vergleich zu nicht mit Strom versorgten Versionen sorgen dafür, dass die mit Strom versorgte Serie MD mehr Anwendungsherausforderungen besteht als die Entwicklungen anderer Hersteller. Die Lautsprecher sind in Schwarz oder Weiß erhältlich und stellen die perfekte Lösung für Gotteshäuser, Kunstzentren und Arena-Anwendungen dar, die flexible Soundsystemlösungen hervorragender Qualität erfordern.

Alle Modelle sind eigenstromversorgt und verwenden sehr effiziente Verstärker der Klasse D sowie Hochfrequenz-Schaltnetzteile. Der Netzanschluss erfolgt schnell und einfach. Ein verschließender Schnelltrennabschluss, der Neutrik PowerCon, gewährleistet zuverlässige Netzverbindungen und bietet gleichzeitig ein einfach abzutrennendes Netzkabel, um die Gehäusemobilität zu gewährleisten. Der Audioeingang zum eigenstromversorgten Lautsprecher erfolgt über einen XLR-Anschluss mit einem zusätzlichen XLR-Ausgang für die Reihenschaltung. Schwarze Gehäuse weisen Griffe auf, weiße Gehäuse nicht. Die Funktionen variieren je nach Modell. Spezifische Modellinformationen entnehmen Sie daher den Verkaufsbroschüren.



- | | |
|--------------------------------------|---------------------------------------|
| 1- Filterschalter | 6- Gebläse |
| 2- Verstärkungsregler | 7- Netzstromeingang (PowerCon-Buchse) |
| 3- Signal- und Clip-Anzeige-LEDs | 8- Strom-Ein-Anzeige-LED |
| 4- Ein- und Ausgangs-XLR-Anschlüsse | 9- Seriennummernschild |
| 5- Griffe, nur an schwarzen Gehäusen | 10- Netzschalter (Hauptschalter) |



HINWEIS! Nur schwarze Gehäuse weisen Griffe auf! Weiße Gehäuse sind nicht mit Griffen ausgestattet.

Installation

Das MD-Gehäuse weist 15 Befestigungspunkte mit Nennlastausweisung auf, vier oben und unten, zwei an den Seiten und drei an der Gehäuserückseite. Bei Lieferung ab Werk ist an jedem Befestigungspunkt eine Senkkopfschraube mit Nennlastausweisung angebracht. Diese Schrauben sind die lasttragenden Komponenten des Gehäuses. Entfernen Sie diese Schrauben nur, wenn sie mit einer Gussringschraube ersetzt werden. Geht eine Senkkopfschraube verloren, wenden Sie sich an den technischen Kundendienst von QSC, um eine neue zu erhalten.



Alle Befestigungsteile müssen korrekt installiert und festgezogen sein, um die Nennleistung des Gehäuses zu wahren. Darüber wird die Leistung des Lautsprechers durch aufgrund fehlender Kleinteile austretende Luft beeinträchtigt.

Verwenden Sie nur 3/8-Zoll-Gussringschrauben mit 16 Gewinden pro Zoll (QSC-Teilenummer SR-000096-00). Vollständige Informationen erhalten Sie beim technischen Kundendienst von QSC.

Vor dem Aufstellen, Installieren, Rigging oder Aufhängen von Lautsprecherprodukten alle Befestigungsteile, Aufhängungen, Gehäuse, Wandler, Halterungen und damit in Verbindung stehende Vorrichtungen auf eventuelle Schäden inspizieren. Fehlende, korrodierte, verformte oder nicht belastbare Komponenten können die Stabilität der Installation, der Aufstellung oder der Gerätekombination deutlich reduzieren. Jeder Zustand dieser Art bewirkt eine erhebliche Verringerung der Sicherheit der Installation und sollte umgehend behoben werden. Verwenden Sie ausschließlich Befestigungsteile, die für die Belastungsbedingungen der Installation zugelassen und für jede potenzielle, unerwartete oder kurzfristige Überlastung ausgelegt sind. Die Nennleistung der Befestigungsteile bzw. Ausrüstung darf keinesfalls überschritten werden.

Bei Fragen zur Installation eines Geräts sollten Sie einen qualifizierten Techniker hinzuziehen. Alle anwendbaren Vorschriften und Bestimmungen in Bezug auf die Sicherheit und Betrieb von Ausrüstung mit Flug-Armaturen müssen verstanden und eingehalten werden.

Installation (Fortsetzung)

Kühlung

Der interne Leistungsverstärker dieses Produkts erzeugt bei normalem Betrieb etwas Hitze. Lassen Sie mindestens 4 Zoll (100 mm) Abstand an der Gehäuserückseite frei, um eine ausreichende Lüftung zu gewährleisten, und setzen Sie das Produkt nicht heißen Scheinwerfern oder direktem Sonnenlicht aus. Bei Umgebungstemperaturen unter 104° F (40° C) bleibt das Gebläse normalerweise deaktiviert. Zwischen 104° F (40° C) und 122° F (50° C) läuft das Gebläse längere Zeit. Über 130° F (55° C) setzt der interne Überhitzschutz ein. Die Einheit reduziert die Verstärkung und wird evtl. stumm geschaltet. Läuft das Gebläse anscheinend ständig, versuchen Sie, die Umgebungstemperatur zu senken, um eine optimale Leistung zu gewährleisten.

Alle Gegenstände, die den Luftstrom von der Gehäuserückseite beeinträchtigen könnten (z. B. Vorhänge, Stoff usw.), fernhalten.



Gehäuse nicht so installieren, dass ihre Rückseiten direktem Sonnenlicht ausgesetzt sind. Direktes Sonnenlicht erhitzt das Verstärkermodul und reduziert seine Fähigkeit zu vollen Ausgangsleistungen. Je nach Anwendung sind Sonnenblenden zu installieren.

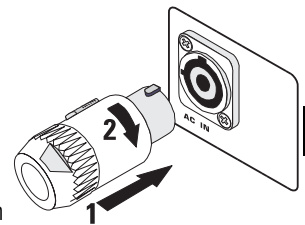
Die maximale Umgebungstemperatur für volle Spezifikationsleistung beträgt 45° C (113° F).

Gehäuse nicht an Stellen installieren, an denen sie Regen oder anderen Wasserquellen ausgesetzt sind. Das Gehäuse ist nicht wetterfest. Bei Installationen im Freien muss das Gehäuse vor den Elementen geschützt werden.

Netzanschluss

Netzanschluss

Richten Sie den PowerCon-Stecker mit der PowerCon-Buchse an der Rückseite des Lautsprechers aus. Der Stecker passt nur bei korrekter Ausrichtung in die Buchse. Führen Sie den Stecker ganz ein und drehen Sie ihn im Uhrzeigersinn, bis der Sperrmechanismus einrastet.



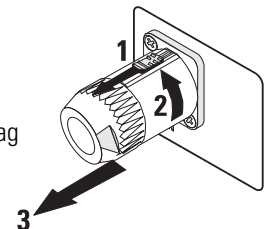
DE



Die richtige Netzspannung ist auf dem Seriennummernaufkleber auf der Rückplatte angegeben. Wenn eine falsche Netzspannung angelegt wird, kann der Verstärker beschädigt und das Stromschlagrisiko erhöht werden.

Abtrennen des Netzstroms

Um den Stecker abzutrennen, ziehen Sie an der Metallverschlusslasche und drehen den Stecker bis zum Anschlag gegen den Uhrzeigersinn. Ziehen Sie den Stecker dann aus der Buchse.



Netzschalter

Drücken Sie auf die Oberseite des Wippschalters, um den eingeschalteten Lautsprecher mit Netzstrom zu versorgen. Drücken Sie auf die Unterseite des Wippschalters, um den eingeschalteten Lautsprecher auszuschalten.

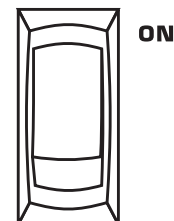
Ist der Lautsprecher eingeschaltet, leuchten die blaue Stromanzeige-LED und die rote LIM (Begrenzer)-Anzeige-LED auf. Nach wenigen Sekunden erlischt die rote LIM-Anzeige.

PWR ●

LED-Betriebsanzeige

Die blaue LED-Betriebsanzeige leuchtet auf, wenn der Netzschalter eingeschaltet, das Netzkabel richtig angeschlossen und die Netzstromversorgung funktionstüchtig ist. Die LED-Betriebsanzeige erlischt, wenn der Netzschalter ausgeschaltet oder der Lautsprecher vom Netzstrom abgetrennt wird.

Leuchtet die Betriebsanzeige nicht auf, wenn der Netzschalter eingeschaltet wird, überprüfen Sie, ob das Netzkabel richtig am Lautsprecher und an einer Steckdose angeschlossen ist. Überprüfen Sie, ob die Steckdose richtig funktioniert.



Ist das Netzkabel funktionstüchtig und funktioniert die Steckdose ordnungsgemäß, während der Lautsprecher immer noch nicht betrieben werden kann, muss dieser evtl. gewartet werden. Kontaktieren Sie den technischen Kundendienst von QSC.

Eingangs-/Ausgangsanschlüsse

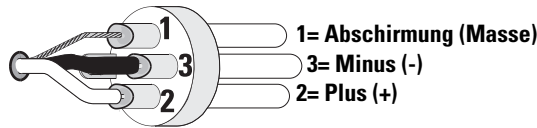
Der aktive MD weist einen symmetrischen 3-Stift-Buchseneingang auf, der als IN gekennzeichnet ist, und einen XLR-Ausgangsstecker, der mit OUT markiert ist. Diese Anschlüsse sind parallel verdrahtet, was das Verbinden mehrerer Gehäuse in einer Reihenschaltung ermöglicht.

Wegen der damit verbundenen Reduzierung des Netzbrumms und von Interferenzen werden besonders bei langen Kabelstrecken symmetrische Verbindungen empfohlen. Asymmetrische Verbindungen können sich für kurze Kabel eignen. Die Quellimpedanz des Signals sollte unter 600 Ohm liegen.

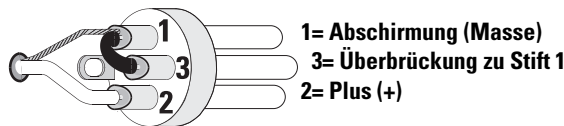
Eingangsanschluss

Stecken Sie den XLR-Eingangsstecker in die mit IN markierte Buchse. Der Stecker muss ganz eingesteckt werden. Die Eingangsimpedanz beträgt 12 kOhm (symmetrisch) bzw. 6 kOhm (asymmetrisch).

Symmetrische Eingänge: Wie gezeigt mit dem Stecker verbinden.



Asymmetrische Eingänge: Wie gezeigt mit dem Stecker verbinden. Stift 3 und Stift 1 müssen wie gezeigt mit einer Steckbrücke verbunden werden.



Ausgangsanschluss

Stecken Sie den XLR-Buchsenstecker in die mit OUT markierte Buchse. Schließen Sie das andere Ende des Kabels an den Eingangsanschluss des nächsten nachgeordneten Audiogeräts an.

Verstärkungsregler

Der Verstärkungsregler ist eingelassen und kann mit einem kleinen Schraubenzieher oder einem anderen Flachwerkzeug eingestellt werden. Drehen Sie den Verstärkungsregler im Uhrzeigersinn, um die Verstärkung zu erhöhen, und gegen den Uhrzeigersinn, um sie zu reduzieren. Die Dämpfung in dB (vom Maximalwert) ist auf dem Aufkleber ersichtlich.

Die Skala des Verstärkungsreglers ist in Dämpfung-dB unterteilt. 21 Arretierungen ermöglichen wiederholbare Einstellungen. Die oberen 14 Inkremente entsprechen jeweils ca. 1 dB; normalerweise sollten alle Einstellungen in diesem Bereich erfolgen. Der Bereich unterhalb von -14 dB sollte für normale Programmpegel nicht benutzt werden, da der Eingangs-Headroom überschritten werden könnte; er kann jedoch zu Testzwecken bei reduzierten Pegeln verwendet werden. Bei der Minimaleinstellung wird das Signal gänzlich abgeschnitten.

Filterauswahlschalter

Über dem Verstärkungsregler befindet sich ein kleiner Kippschalter, der den Vollbereichs-Betrieb aktiviert oder einen 100 Hz-Lo-Cut-Filter auf das System anwendet.

Vollbereichs-Einstellung

Verwenden Sie die Vollbereichs-Einstellung für Anwendungen ohne Subwoofer oder dedizierte Niederfrequenzgehäuse.

100 Hz-Lo-Cut-Einstellung

Verwenden Sie die 100 Hz-Lo-Cut-Einstellung für Anwendungen mit optionalen Subwoofern oder Niederfrequenzsystemen.

Bei der Zweiweg-Weiche wird der Niederfrequenzinhalt unter 100 Hz bei 24 dB pro Oktave gefiltert, was bei niedrigen Frequenzen zu weniger Verzerrung und im mittleren Frequenzbereich zu verbesserter Klarheit führt.



SIG (Signal)-Anzeige-LED

Die grüne SIG (Signal)-Anzeige weist den Benutzer auf die Anwesenheit eines Eingangssignals zum MD-Lautsprecher hin.

Normalanzeige

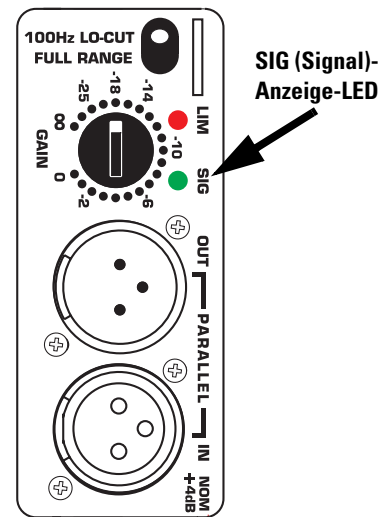
Die grüne SIG-Anzeige leuchtet auf, wenn das Eingangssignal -25 dB überschreitet.

Falls keine Anzeige

Überprüfen Sie die Verstärkungseinstellungen und erhöhen Sie bei Bedarf die Verstärkung. Überprüfen Sie die Eingangsanschlüsse und die Audioquelle auf Signale. Leuchtet die rote LIM-LED auf, siehe Abschnitt zur LIM-Anzeige weiter unten.

Nicht normale Anzeige

Wenn die grüne SIG-LED ohne Signaleingang aufleuchtet, liegen möglicherweise Systemschwingungen oder eine andere Störung vor. Trennen Sie den Eingang ab oder reduzieren Sie die Verstärkung ganz. Wenn die grüne SIG-LED weiterhin aufleuchtet, muss der Verstärker möglicherweise gewartet werden.



LIM (Limiter oder Begrenzer)-Anzeige-LED

Die rote LIM-Anzeige weist den Benutzer auf mehrere abnormale Bedingungen im MD-Lautsprecher hin:

Stetig hell leuchtendes rotes Licht

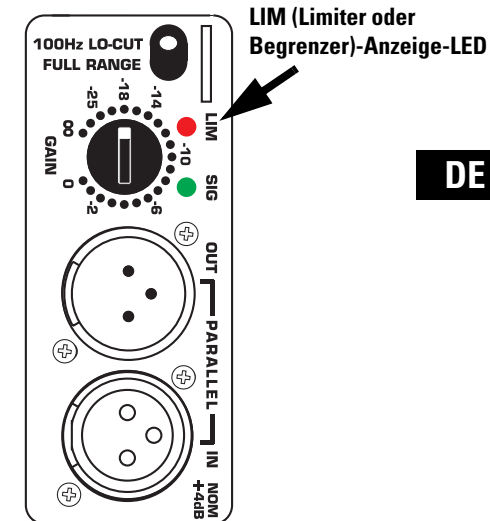
- Weist auf Schutz-Stummschaltungsmodus hin.
- Der Lautsprecher durchläuft die Stummschaltung normalerweise mehrere Sekunden nach dem Einschalten. Danach sollte die Anzeige erlöschen und Ton zu hören sein.
- Schaltet der Lautsprecher während des Betriebs stumm, ist er entweder überhitzt oder ein Fehler ist aufgetreten.
- Ein Überhitzen wird normalerweise innerhalb von 1 bis 2 Minuten korrigiert, danach sollte wieder Ton zu hören sein. Weiter unten finden Sie eine vollständige Erläuterung des Wärmeschutzes.
- Kurze Stummschaltungsperioden weisen auf einen Komponentenfehler hin. In diesem Fall das Gerät vom Stromnetz trennen und den Lautsprecher warten.

Kurzzeitig hell blinkendes rotes Licht

- Während des Betriebs weist ein hell blinkendes rotes Licht auf Clipping (Übersteuerungsverzerrung) hin.
- Dies ist normalerweise auf eine zu hohe Lautstärke zurückzuführen und wird von einer hörbaren Verzerrung begleitet.
- Wird der Lautsprecher während Spitzen wiederholt stumm geschaltet, liegt evtl. ein Komponentenfehler vor. Trennen Sie das Gerät vom Netz und lassen Sie den Lautsprecher reparieren.

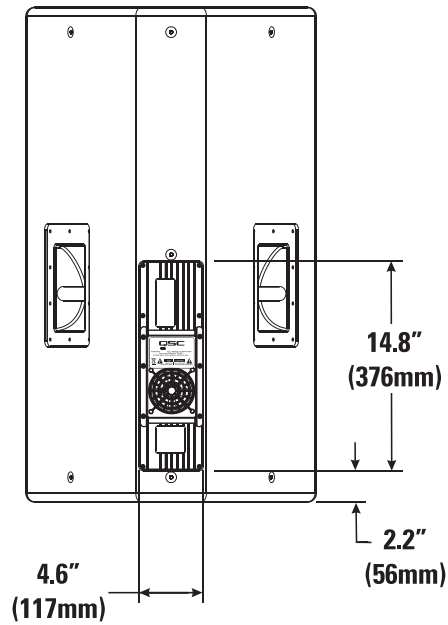
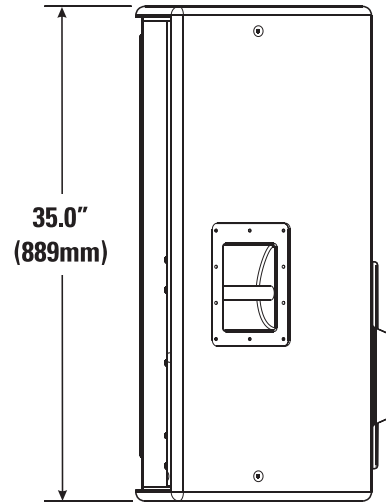
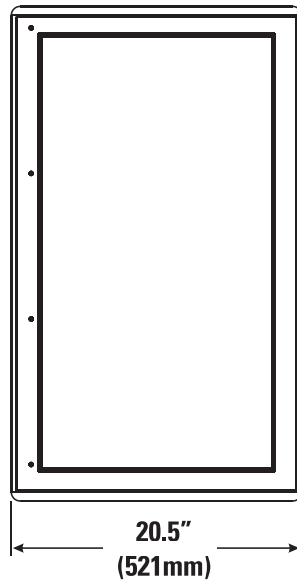
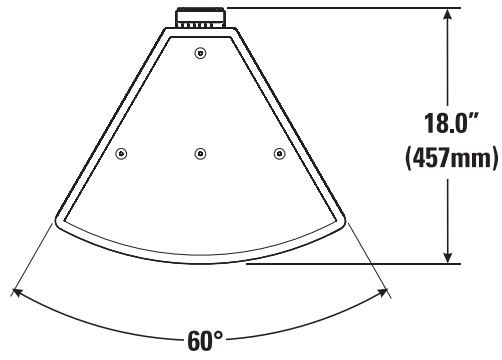
Stetig halb hell leuchtendes Licht

- Zeigt an, dass der interne Begrenzer die Verstärkung aufgrund verlängerten Clippings bzw. übermäßiger Temperatur reduziert.
- Nach mehreren Sekunden starken Clippings reduziert der Begrenzer die Leistung, um den Lautsprecher zu schützen und den Sound zu verbessern. Dies führt dazu, dass die Leuchte stetig rot halb hell aufleuchtet. Jedes weitere Clipping resultiert weiterhin in hellem Blinken oberhalb der stetig halb hell leuchtenden Anzeige. Bei einer Reduzierung des Programmpegels wird der Begrenzer nach mehreren Sekunden zurückgesetzt, und die rote Anzeige erlischt.
- Überhitzt das Leistungsmodul, besteht die erste Reaktion in der Auslösung der Begrenzung, um die Lautstärke zu reduzieren und einen weiteren Temperaturanstieg zu verhindern. Dies führt zu einer stetig halb hell leuchtenden Anzeige, die bei einer Reduzierung des Programmpegels nicht zurückgesetzt wird. Es kann mehrere Minuten dauern, bis die Temperatur so weit gesunken ist, dass der Begrenzer zurückgesetzt wird. Während dieser Zeit fühlt sich der exponierte Kühlkörper sehr heiß an. Bei einer fortgesetzten Überhitzung wird der Verstärker letztendlich stumm geschaltet, was zu einer hell leuchtenden roten Anzeige führt. Beim Zurücksetzen der Stummschaltung setzt der Verstärker den Betrieb fort, wobei eine Wärmebegrenzung weiterhin stattfindet, bis der Verstärker genug abgekühlt ist.
- Eine Überhitzung wird meist durch übermäßige Umgebungstemperaturen verursacht, da der interne Temperaturanstieg des Leistungsmoduls der Klasse D relativ gering ist. Schützen Sie den Lautsprecher vor übermäßigen Temperaturen, indem Sie ihn nicht über einem Heizungsschacht aufstellen, ihn keinem direkten Sonnenlicht aussetzen und die Oberfläche des Kühlkörpers nicht abdecken.



DE

Abmessungen



DE



HINWEIS! Nur schwarze Gehäuse weisen Griffe auf! Weiße Gehäuse sind nicht mit Griffen ausgestattet.

Position der Befestigungspunkte

Das MD-Gehäuse weist 15 Befestigungspunkte mit Nennlastausweisung auf, vier oben und unten, zwei an den Seiten und drei an der Gehäuserückseite. Diese Befestigungspunkte sind auf der Abbildung durch Pfeile gekennzeichnet. Bitte beachten Sie, dass die Befestigungspunkte an der Gehäuseunterseite nicht dargestellt sind. Sie sind aber mit den an der Gehäuseoberseite dargestellten identisch.

Bei Lieferung ab Werk ist an jedem Befestigungspunkt eine Senkkopfschraube mit Nennlastausweisung angebracht. Diese Schrauben sind die lasttragenden Komponenten des Gehäuses. Entfernen Sie diese Schrauben nur, wenn sie mit einer Gussringschraube ersetzt werden. Geht eine Senkkopfschraube verloren, wenden Sie sich an den technischen Kundendienst von QSC, um eine neue zu erhalten.



Alle Befestigungsteile müssen korrekt installiert und festgezogen sein, um die Nennleistung des Gehäuses zu wahren. Darüber wird die Leistung des Lautsprechers durch aufgrund fehlender Kleinteile austretende Luft beeinträchtigt.

Verwenden Sie nur 3/8-Zoll-Gussringschrauben mit 16 Gewinden pro Zoll (QSC-Teilenummer SR-000096-00). Vollständige Informationen erhalten Sie beim technischen Kundendienst von QSC.

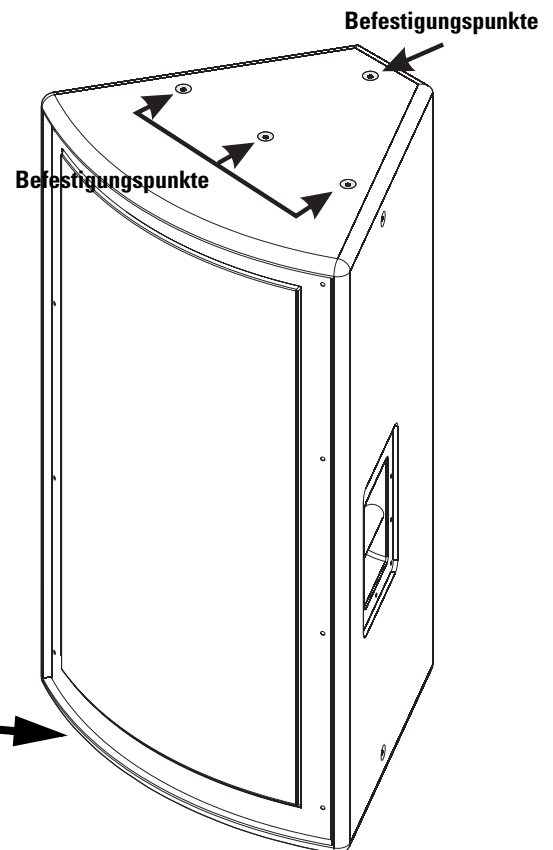
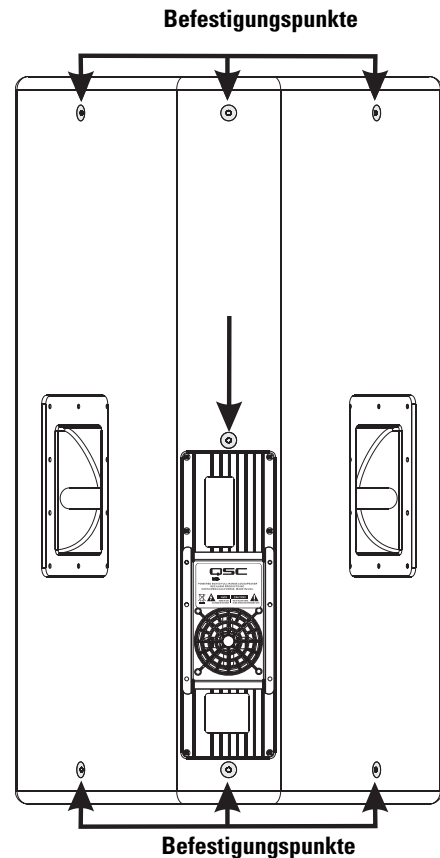
Inspizieren Sie vor dem Aufstellen, Installieren, Rigging oder Aufhängen von Lautsprecherprodukten alle Befestigungsteile, Aufhängungen, Gehäuse, Wandler, Halterungen und damit in Verbindung stehende Vorrichtungen auf eventuelle Schäden. Fehlende, korrodierte, verformte oder nicht belastbare Komponenten können die Stabilität der Installation, der Aufstellung oder der Gerätekombination deutlich reduzieren. Jeder Zustand dieser Art bewirkt eine erhebliche Verringerung der Sicherheit der Installation und sollte umgehend behoben werden. Verwenden Sie ausschließlich Befestigungsteile, die für die Belastungsbedingungen der Installation zugelassen und für jede potenzielle, unerwartete oder kurzfristige Überlastung ausgelegt sind. Die Nennleistung der Befestigungsteile bzw. Ausrüstung darf keinesfalls überschritten werden.

Bei Fragen zur Installation eines Geräts sollten Sie einen qualifizierten Techniker hinzuziehen. Alle anwendbaren Vorschriften und Bestimmungen in Bezug auf die Sicherheit und den Betrieb von Ausrüstung mit Flug-Armaturen müssen verstanden und eingehalten werden.

4 weitere Befestigungspunkte befinden sich an der Gehäuseunterseite.



HINWEIS! Nur schwarze Gehäuse weisen Griffe auf! Weiße Gehäuse sind nicht mit Griffen ausgestattet.



Schalltrichterdrehung

Die Abstrahlwinkel für jedes Modell ab Werk sind im Spezifikationsabschnitt zu finden. Auf Wunsch kann die Hochfrequenz-Treiber/Schalltrichter-Baugruppe um 90° gedreht werden, um die Abstrahlwinkelebenen zu ändern.

Beispiel: Ein MD-FP122/64r ab Werk weist einen Nennabstrahlwinkel von 60° auf der horizontalen und 40° auf der vertikalen Ebene auf, wenn das Gehäuse normal ausgerichtet ist (vertikal, wie rechts dargestellt). Um den Abstrahlwinkel auf 40° auf der horizontalen und 60° auf der vertikalen Ebene zu ändern, muss die Hochfrequenz-Treiber/Schalltrichter-Baugruppe entfernt, um 90° gedreht und wieder installiert werden.

Drehen des Schalltrichters



Bitte beachten! Bei der Arbeit mit großen Baugruppen wie diesem Gehäuse sollten Sie stets zu zweit arbeiten. Die Gitterbaugruppe ist unter Spannung, wenn sie installiert ist. Befestigen Sie das Gitter temporär mit Klebeband oder lassen Sie einen Mitarbeiter die Gitterkante festhalten, während Sie die Sicherungsschrauben entfernen.

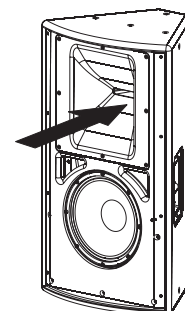
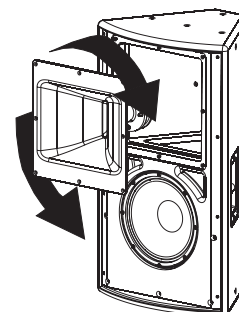
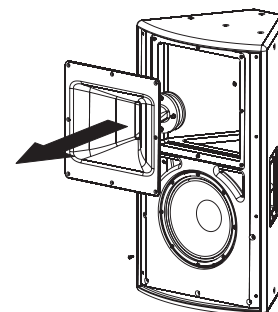
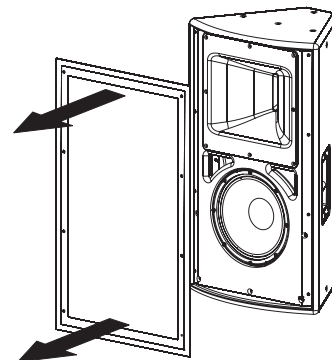
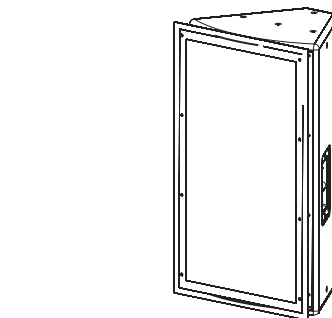
1. Entfernen Sie die vier Schrauben auf einer Seite des Gitters, während Ihr Kollege dafür sorgt, dass das Gitter sich nicht löst. Entfernen Sie die vier Schrauben von der anderen Seite des Gitters. Legen Sie Gitter und Sicherungsschrauben beiseite.

2. Entfernen Sie die acht Schalltrichter-Sicherungsschrauben. Heben Sie den Schalltrichter vorsichtig aus seiner Befestigungsvertiefung, wobei Sie darauf achten sollten, dass die Schaumdichtung zwischen Schalltrichter und Gehäuse nicht zerreißt oder abgezogen wird.

3. Drehen Sie den Schalltrichter in die gewünschte Position und stecken Sie ihn wieder in seine Befestigungsvertiefung, wobei die Dichtung richtig platziert sein muss.

4. Bringen Sie die acht Schalltrichter-Sicherungsschrauben an. Ziehen Sie die Schrauben erst ganz fest, wenn Sie alle angebracht und fingerfest angezogen haben. Dies verhindert, dass der Schalltrichter einen Riss bekommt. Ziehen Sie die Sicherungsschrauben ganz fest.

5. Positionieren Sie die Gitterbaugruppe und richten Sie sie für den Wiedereinbau aus. Bringen Sie die vier Sicherungsschrauben auf einer Seite an. Ziehen Sie sie noch nicht ganz fest. Biegen Sie das Gitter um die Gehäusevorderseite und bringen Sie die restlichen vier Sicherungsschrauben an. Es ist einfacher, wenn ein Kollege das Gitter festhält, während Sie die letzten vier Schrauben anbringen.



DE



Die Sicherungsschrauben für das Gitter sind auf 30-35 Pound/Zoll (0,35 -0,40 kg/m) festzuziehen.

Die Sicherungsschrauben der Schalltrichterbaugruppe sind auf 40 Pound/Zoll (0,46 kg/m) festzuziehen.

Spezifikationen

MD-FP122/64r

MD-FP122/94r

MD-FP122/124r

Frequenzgang, ±3 dB	50-17,5 kHz	55-20 kHz	55-18,6 kHz
Frequenzgang, -10 dB	50-18 kHz	50-20,5 kHz	50-20 kHz
Maximaler Spitzen-SPL	128 dB	128 dB	128 dB
Nennabstrahlung, H x V (bei Installation ab Werk)	60°x40°	90°x40°	120°x40°
Richtungsmaß	13,0	11,1	9,6
Richtungsfaktor	19,8	13,0	9,1
Akustische Crossover-Frequenz	1,4 kHz	1,4 kHz	1,2 kHz
Wandlerbeschreibung	NF: 12 Zoll (305 mm) Durchmesser, 4 Zoll (102 mm) Schwingspule, Ferritmagnet HF: 1,4 Zoll (36 mm) Ausgangsdurchmesser, 2,5 Zoll (64 mm) Schwingspule, Neodymmagnet, alle Modelle		
Verstärkerleistung	NF: 800 W, HF: 200 W, alle Modelle		
Eingangsempfindlichkeit	1,2 V _{rms} (+4 dB), alle Modelle		
Eingangs-Headroom/Clipping	7,5 V _{rms} (+19,5 dB), alle Modelle		
Eingangsanschluss/Impedanz	XLR-Buchse, 20 kOhm, symmetrisch, alle Modelle		
Ausgangsanschluss	XLR-Stecker, parallel verdrahtet mit Eingangsanschluss		
Steuerungselemente, Anzeigen und Einstellungen	drehbare Schalltrichterbaugruppe, Verstärkungsregler, 100 Hz-High-Pass-Filterschalter, Clip/Limit (rote LED), Signalpräsenz (grüne LED), Netzstrom (blaue LED), alle Modelle		
Schutz, behördl. Zert.	Thermische Grenzleistung, Stummschaltung Ein/Aus, Einschaltstrombegrenzung, FCC Klasse B (geleitete und ausgestrahlte Emissionen), UL/CE-zertifiziert		

DE

Netzstromanforderungen

	AC Amperes	BTU ¹
Idle	<0.5 A	<100
1/8 Power ¹	2.5 A	570
1/3 Power ²	5.0 A	1380
Full Power ³	15.0 A	4010

Notes:
(1) 1/8 power is typical of "maximum unclipped program levels".
(2) 1/3 power represents "moderately clipped" operation.
(3) Full power only occurs for short peaks.
(4) BTU includes loudspeakers and amplifier.

Netzanschluss	Werkseitig gelieferter Kabelsatz: Neutrik Powercon an 10 Fuß (3 m) #18AWG 120 V-Kabelsatz, Nordamerika		
Abmessungen	20,5 Zoll (521 mm) B, 35,0 Zoll (889 mm) H, 17,1 Zoll (432 mm) T, einschließlich Kühlrippen an Rückseite. Hinter dem Gehäuse 100 mm (4,0 Zoll) Abstand halten, um eine korrekte Verstärkerkühlung zu gewährleisten.		
Gewicht	88 lb/40 kg	88 lb/40 kg	89 lb/41 kg
Oberflächenausführung und Gitter	Alle Modelle - widerstandsfähige, texturierte Lackierung mit pulverspritzlackiertem Stahlgitter		

Anmerkungen:

- 1- Maximaler Spitzen-SPL: Berechnet durch Addieren der Lautsprecherempfindlichkeit (1 W bei 1 m) zur Spitzenleistung (dBw) des gelieferten Verstärkers.
- 2- Abstrahlung: Eingeschlossener Winkel zwischen -6dB-Punkten, plus X, minus Y dB, 500 bis 3,2 kHz, gemessen bei ISO-bevorzugten Ein-Drittel-Oktavintervallen oder für einen anderweitig spezifizierten Frequenzbereich.
- 3- Richtungsmaß (DI): Differenz zwischen On-Axis-SPL und durchschnittlichem SPL (unter Berücksichtigung aller Achsen) für den angegebenen Beschallungsbereich. DI= 10 log Q
- 4- Richtungsfaktor (Q): Richtungsmaß ausgedrückt als Leistungsverhältnis Q=10 exp DI/10
- 5- Verstärkerleistung: maximal aufrechterhaltene Leistung bei weniger als 1% Clipping als Durchschnitt über dem intendierten Frequenzbereich
- 6- Eingangsempfindlichkeit: Sinuswellen-Eingangsspannung, die notwendig ist, um Verstärker-Clipping zu erzielen, gemessen im Frequenzbereich, der verwendet wird, um maximalen Spitzen-SPL zu bestimmen, wobei die Verstärkung „normal“ ist und keine Verstärkungsreduzierung durch Begrenzung vorliegt
- 7- Eingangs-Headroom/Clipping: maximale Eingangsspannung
- 8- Eingangsanschluss/Impedanz: HF-Parallelkapazität darf die Impedanz nicht um mehr als 30 % bei 20 kHz reduzieren.
- 9- noch festzulegen, Daten zum Zeitpunkt der Drucklegung nicht verfügbar

Spezifikationen

MD-FP152/64r

MD-FP152/94r

MD-FP152/124r

Frequenzgang, ±3 dB	50-17,5 kHz	50-19 kHz	50-19 kHz
Frequenzbereich, -10 dB	45-18 kHz	45-20 kHz	5-20,5 kHz
Maximaler Spitzen-SPL	129 dB	129 dB	129 dB
Nennabstrahlung, H x V (bei Installation ab Werk)	60°x40°	90°x40°	120°x40°
Richtungsmaß	12,8	11,3	9,6
Richtungsfaktor	19,0	13,4	9,1
Akustische Crossover-Frequenz	1,32 kHz	1,4 kHz	1,2 kHz
Wandlerbeschreibung	NF: 15 Zoll (381 mm) Durchmesser, 4 Zoll (102 mm) Schwingspule, Ferritmagnet HF: 1,4 Zoll (36 mm) Ausgangsdurchmesser, 2,5 Zoll (64 mm) Schwingspule, Neodymmagnet, alle Modelle		
Verstärkerleistung	NF: 800 W, HF: 200 W, alle Modelle		
Eingangsempfindlichkeit	1,2 V _{rms} (+4 dB), alle Modelle		
Eingangs-Headroom/Clipping	7,5 V _{rms} (+19,5 dB), alle Modelle		
Eingangsanschluss/Impedanz	XLR-Buchse, 20 kOhm, symmetrisch, alle Modelle		
Ausgangsanschluss	XLR-Stecker, parallel verdrahtet mit Eingangsanschluss		
Steuerungselemente, Anzeigen und Einstellungen	drehbare Schalltrichterbaugruppe, Verstärkungsregler, 100 Hz-High-Pass-Filterschalter, Clip/Limit (rote LED), Signalpräsenz (grüne LED), Strom (blaue LED), alle Modelle		
Schutz, behördl. Zert.	Thermische Grenzleistung, Stummschaltung Ein/Aus, Einschaltstrombegrenzung, FCC Klasse B (geleitete und ausgestrahlte Emissionen), UL/CE-zertifiziert		

Netzstromanforderungen

	AC Amperes	BTU ⁴
Idle	<0.5 A	<100
1/8 Power ¹	2.5 A	570
1/3 Power ²	5.0 A	1380
Full Power ³	15.0 A	4010

Notes:
(1) 1/8 power is typical of "maximum unclipped program levels".
(2) 1/3 power represents "moderately clipped" operation.
(3) Full power only occurs for short peaks.
(4) BTU includes loudspeakers and amplifier.

Netzanschluss

Werkseitig gelieferter Kabelsatz: Neutrik Powercon an 10 Fuß (3 m) #18AWG 120 V-Kabelsatz, Nordamerika

Abmessungen

20,5 Zoll (521 mm) B, 35,0 Zoll (889 mm) H, 17,1 Zoll (432 mm) T, einschließlich Kühlrippen an Rückseite.
Hinter dem Gehäuse 100 mm (4,0 Zoll) Abstand halten, um eine korrekte Verstärkerkühlung zu gewährleisten.

Gewicht

89 lb/41 kg

88 lb/40 kg

89 lb/41 kg

Oberflächenausführung und Gitter

Alle Modelle - widerstandsfähige, texturierte Lackierung mit pulverspritzlackiertem Stahlgitter

Anmerkungen:

- 1- Maximaler Spitzen-SPL: Berechnet durch Addieren der Lautsprecherempfindlichkeit (1 W bei 1 m) zur Spitzenleistung (dBw) des gelieferten Verstärkers.
- 2- Abstrahlung: Eingeschlossener Winkel zwischen -6dB-Punkten, plus X, minus Y dB, 500 bis 3,2 kHz, gemessen bei ISO-bevorzugten Ein-Drittel-Oktavintervallen oder für einen anderweitig spezifizierten Frequenzbereich.
- 3- Richtungsmaß (DI): Differenz zwischen On-Axis-SPL und durchschnittlichem SPL (unter Berücksichtigung aller Achsen) für den angegebenen Beschallungsbereich. DI= 10 log Q
- 4- Richtungsfaktor (Q): Richtungsmaß ausgedrückt als Leistungsverhältnis Q=10 exp DI/10
- 5- Verstärkerleistung: maximal aufrechterhaltene Leistung bei weniger als 1% Clipping als Durchschnitt über dem intendierten Frequenzbereich.
- 6- Eingangsempfindlichkeit: Sinuswellen-Eingangsspannung, die notwendig ist, um Verstärker-Clipping zu erzielen, gemessen im Frequenzbereich, der verwendet wird, um maximalen Spitzen-SPL zu bestimmen, wobei die Verstärkung „normal“ ist und keine Verstärkungsreduzierung durch Begrenzung vorliegt.
- 7- Eingangs-Headroom/Clipping: maximale Eingangsspannung
- 8- Eingangsanschluss/Impedanz: HF-Parallelkapazität darf die Impedanz nicht um mehr als 30 % bei 20 kHz reduzieren.
- 9- noch festzulegen, Daten zum Zeitpunkt der Drucklegung nicht verfügbar

Garantie (nur für die USA; wenden Sie sich zwecks Garantieinformationen für andere Länder an Ihren Händler oder Distributor)

Haftungsausschluss

QSC Audio Products, Inc. ist nicht für Schäden an Verstärkern oder anderen Geräten haftbar, die durch Fahrlässigkeit oder eine unsachgemäße Installation und/oder Verwendung dieses Lautsprecherprodukts verursacht werden.

Beschränkte Dreijahresgarantie durch QSC Audio Products

QSC Audio Products, Inc. ("QSC") gewährleistet, dass seine Produkte für einen Zeitraum von drei (3) Jahren ab dem Kaufdatum keine Material- und/oder Ausführungsfehler aufweisen werden, und QSC verpflichtet sich zum Ersatz defekter Teile und zur Reparatur funktionsgestörter Produkte gemäß dieser Garantie, wenn dieser Fehler bei einer normalen Installation und unter normalen Gebrauchsbedingungen auftritt – vorausgesetzt, dass das Gerät unter Vorauszahlung der Transportkosten und zusammen mit einer Kopie des Kaufnachweises (z.B. der Kaufquittung) an unser Werk zurückgeschickt oder an eine unserer autorisierten Kundendienststellen eingeschickt wird. Diese Garantie setzt voraus, dass die Prüfung des zurückgeschickten Produkts in unserem Ermessen einen Herstellungsdefekt zu erkennen gibt. Diese Garantie erstreckt sich auf keine Produkte, die einer unsachgemäßen oder fahrlässigen Behandlung, Unfällen oder einer unvorschriftsmäßigen Installation unterlagen, oder deren Datumscode entfernt oder unkenntlich gemacht wurde. QSC ist für keine Neben- und/oder Folgeschäden haftbar. Diese Garantie gewährt Ihnen bestimmte Rechte. Diese beschränkte Garantie ist während der Garantiezeit frei übertragbar.

Manche Kunden können je nach Rechtsprechung zusätzliche und andere Rechte besitzen.

Falls dieses Produkt zum Export und Verkauf außerhalb der Vereinigten Staaten oder deren Hoheitsgebieten hergestellt wurde, besitzt diese eingeschränkte Garantie keine Gültigkeit. Die Entfernung der Seriennummer auf diesem Produkt oder der Kauf dieses Produkts von einem nicht autorisierten Händler macht diese beschränkte Garantie unwirksam.

Diese Garantie wird gelegentlich aktualisiert. Die jeweils aktuellste Version der Garantieerklärung von QSC finden Sie im Internet unter www.qscaudio.com.

Sie erreichen uns telefonisch unter +1 800-854-4079 (gebührenfrei in den USA und Kanada) oder im Internet unter www.qscaudio.com.

1675 MacArthur Blvd., Costa Mesa, CA, 92626 USA

Zentrale +1 (714) 754-6175 oder gebührenfrei (nur in den USA) +1 (800) 854-4079

Kundendienst +1 (714) 957-7150 oder gebührenfrei (nur in den USA) +1 (800) 772-2834



© Copyright 2005, 2006 QSC Audio Products, Inc.

QSC ist eine eingetragene Marke von QSC Audio Products, Inc.

„QSC“ und das QSC-Logo sind beim US-Patent- und Markenamt angemeldet.

PowerCon® ist eine eingetragene Marke von Neutrik® und die in diesem Dokument genannten Namen von Neutrik® Produkten sind entweder Marken und/oder Dienstleistungsmarken von Neutrik®.

Alle Marken sind Eigentum ihrer jeweiligen Inhaber.

Download from www.Somanuals.com. All Manuals Search And Download.

重要的安全注意事项和符号说明

遵照 QSC Audio Product 公司规定在经认证的专业工程师监督下进行安装。



警告！



小心：为避免电击危险，请不要移除盖板。
内部无用户能维修的零件。联络合格的专业人士进行维修。



等边三角形内带箭头的闪电符号，警告用户该产品外壳内有非绝缘“危险”电压，会对人体产生电击危险。



等边三角形内的惊叹号是提醒用户本手册中重要的操作和维护（维修）说明。

- 1- 阅读这些规定。
- 2- 保存好这些规定。
- 3- 注意所有警告。
- 4- 遵守这些规定。
- 5- 警告：为避免着火或电击，不要将设备暴露于雨中或潮湿环境中。不要靠近水的地方使用本设备。
- 6- 只能用干布擦拭。
- 7- 机壳背后至少要留出 4"（100mm）的空隙以便进行对流冷却。机罩背后不要放置可能影响空气流动的物品（比如布料、织物等等）。切勿堵塞通风口。本产品内置有功率放大器，因此会产生热量。
- 8- 不要安装在会产生热量的设备附近，如散热器、热调节装置、炉子或者其他设备（包括放大器）。
- 9- 勿使极化或接地插头的安全性失效。极化插头有两个叶片，一个较宽，另一个较窄。接地插头有两个叶片以及一个接地爪。较宽的叶片或第三个爪手是为了人身安全而设。如果所提供的插头和您的插座不匹配，请向电工咨询了解如何更换该旧插座。
- 10- 保护电线防止被踩踏或挤压，尤其要注意插头、电源插座及其离开设备处。
- 11- 仅限使用 QSC Audio Products 有限公司指定的附件 / 配件。
- 12- 仅限使用随本设备或由 QSC Audio Products 有限公司出售的硬件、托架、支架及元件。
- 13- 在雷电发生期间或长时间不用时，请拔下本设备的插头。
- 14- 由合格人员进行维护。如果本设备损坏，必须进行维修，比如电源线或插头损坏，液体溅到或物体落入本设备，设备遭受雨淋或受潮，不能正常工作，或曾跌落等情况。
- 15- 放置、安装、装配或悬挂扬声器产品前，检查所有硬件、悬架、搁柜、变频器、支架和相关设备有无损坏。任何额定部件的缺失、腐蚀、变形或未装载都可能大大降低安装、放置或阵列的强度。以上任何情况都会严重降低安装的安全性，一经发现应立即更正。仅限使用符合额定加载条件安装并可应付可能的短期突发超载的硬件。切勿超过硬件或设备的额定值。
- 16- 关于物理设备的安装，请咨询经认证的专业工程师。确保理解并遵循所有当地、州和国家关于悬空设备安全和操作的规定。

FCC 干扰声明

注意：本设备已经测试符合“FCC 规则”第 15 部分中 B 类数字设备的限制。所规定的这些限制是为了提供合理的保护，防止对住宅设施造成有害干扰。此设备会产生、使用和发出无线电频率能量，如果不按照指导进行安装和使用，可能会对无线通信造成有害干扰。但是，我们不排除在特定安装条件下仍会产生干扰的可能性。如果本设备对无线电或电视接收造成了有害干扰（通过关闭后再打开设备即可以确定），建议用户尝试采取以下一项或多项措施来排除此类干扰：

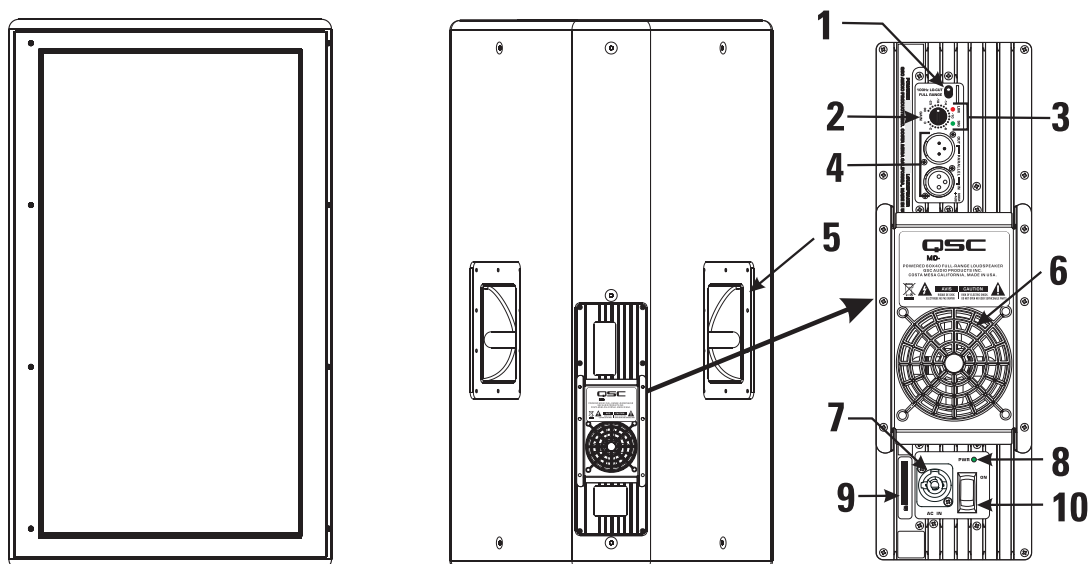
- 变换接收天线的朝向或重新放置。
- 增大设备和接收器之间的距离。
- 将设备使用的电源插座与接收器所使用的插座分开。
- 咨询经销商或有经验的无线电或电视技术人员寻求帮助。

简介

非常感谢您购买本公司专业的高功率扬声器产品。为了让您的投资产生最大效益，我们建议您详细阅读此《用户手册》。

模块化设计（“MD”）的自供电扬声器具有极其出色音质、高质量的构架、节约能耗、明晰的在板功率放大和多种模式的普通机壳设计，安装更为容易。供电模块化系列产品自有安装方案、平衡和分频经过优化、高频喇叭可旋转、有15个连接点、相较非供电产品的最低重量增加，因此和同类设计相比可以解决更多应用上的难题。具有黑白两色，是教堂、表演艺术中心和会场等既要求灵活性又需要高质量的声音系统场所中的最佳解决方案。

所有型号均为自供电型，使用高效的D级放大器和高频切换模式供电。交流线连接快速、简便。可以锁定、快速断开 Neutrik PowerCon 确保了交流电源连接的可靠性同时便于拆除电源线，这样就增加了机壳的机动性。声音通过带有用于菊花式连接的附加 XLR 输出的 XLR 接头输入到自供电扬声器。黑色机罩上有把手，而白色机罩没有把手。各型号产品的特点有所不同，因此请参阅销售手册了解各型号的详细信息。



- 1- 过滤器开关
- 2- 增益调整器
- 3- 信号和削波指示 LED
- 4- 输入和输出 XLR 接头
- 5- 把手（仅黑色机罩上有）

- 6- 冷却风扇
- 7- AC 电源入口（PowerCon 插座）
- 8- 电源开 LED 指示灯
- 9- 序列号铭牌
- 10- 电源开关（交流电源开关）



注意！仅黑色机罩有把手！白色机罩不配把手。

安装

在模块化机罩上有15个按负载设定的起吊点；上下各四个，两边各两个，机罩后面三个。出厂时，各起吊点都安有一个按强度设定的平头螺栓。螺栓是机罩的承重组件。除非要用锻造肩型吊环螺栓替换，否则请勿移除这些螺栓。如果平头螺栓丢失，请联系 QSC 的技术服务部进行更换。



确保所有的起吊点扣件都已安装且牢牢地固定以确保机罩的额定强度。另外，由于缺少五金件而造成的空气泄漏也会降低扬声器的性能。

仅使用 3/8 英寸，每英寸上 16 个线头的锻造肩型吊环螺栓，QSC 部件编号为 SR-000096-00。联络 QSC 技术服务部了解详细信息。

放置、安装、装配或悬挂扬声器产品前，检查所有硬件、悬架、搁柜、变频器、支架和相关设备有无损坏。任何额定部件的缺失、腐蚀、变形或未装载都可能大大降低安装、放置或阵列的强度。以上任何情况都会严重降低安装的安全性，一经发现应立即更正。仅限使用符合额定加载条件安装并可应付可能的短期突发超载的硬件。切勿超过硬件或设备的额定值。

关于物理设备的安装，请咨询经认证的专业工程师。确保理解并遵循所有当地、州和国家关于悬空设备安全和操作的规定。

安装 (续)

冷却

在正常的工作状态下，本产品的内部功率放大器会产生一些热量。为了保证充分通风，最少要在机壳后留出 4" (100mm) 的间隙，并避免受到热光或阳光的直射。如果环境温度低于 104° F (40° C)，电扇通常会处于停止状态。在 104° F (40° C) 和 122° F (50° C) 之间，电扇会运转稍长时间。高于 130° F (55° C) 时，内部过热保护将会工作。此部件会降低扬声器的增益，并可能使其静音。如果电扇总是在运转，请试着降低环境温度以确保性能。

机罩背后不要放置可能影响空气流动的物品（比如布料、织物等等）。



安装时勿要将机罩的背板处于阳光直射下。因为阳光直射会使放大器模块发热，从而降低其全功率输出的能力。如果需要请安装遮阳篷。

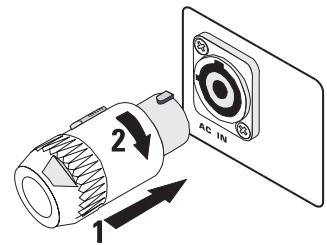
全性能下的最高容许环境温度为 45° C (113° F)。

勿将其安装在淋雨或者其它水源处。因为机罩会受天气影响。如果安装在室外，则必须对元件进行防护。

交流电源

交流电源连接

将 PowerCon 接头对准位于扬声器背板上的 PowerCon 插座。此为键入式，只有在完全对齐的时候才能插入插座。将接头完全插入并顺时针旋转直至锁定机构啮合。

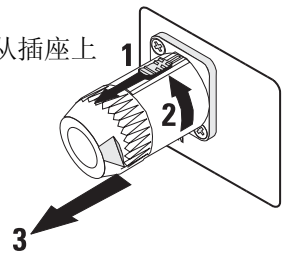


正确的交流线压在后面板的序列号标签上注明。连接到错误的线电压可能会损坏放大器或增大电击危险。

CH

断开交流电源

要移除接头，将其从金属锁定片上拉回，然后逆时针转动接头直至停止，接着将接头从插座上拉出。



电源开关

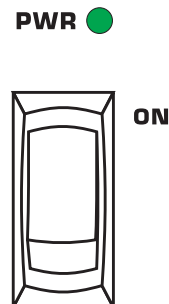
按下按键开关的顶部将交流电接入已加电的扬声器。按下按键开关的底部关闭已加电的扬声器。

打开后，蓝色的电源指示灯 LED 和红色的限位器 (LIM) 指示灯亮起；几秒钟后红色的 LIM 指示灯熄灭。

LED 电源指示灯

如果交流电源开关处于“开”的位置，且交流电源线连接良好，交流电源供电正常，蓝色的 LED 电源指示灯亮起。如果交流电源开关处于“关”的位置，或者交流电源供电已经从扬声器移除，那么 LED 电源指示灯熄灭。

如果电源开关处于“开”的位置时电源指示灯没有亮，确认交流电源线是否正确地接入了扬声器并且插入了交流电插座。确认插座是否工作正常。



如果交流电供电正常且交流电插头工作正常，但是仍然无法操作扬声器，那么就可能需要维修扬声器。请联络 QSC 的技术维护部。

输入 / 输出连接

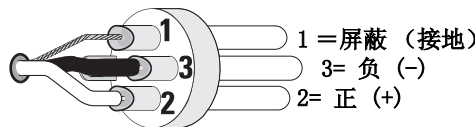
有源模块化产品有一个平衡的 3 引脚内孔 XLR 输入接头，标识为 IN，还有一个标识为 OUT 的外孔 XLR 输出接头。接头为平行布线，这样就可以采用菊花式连接接上多个机罩。

建议采用平衡连接以降低交流噪声和干扰，特别在使用长电缆的情况下。非平衡连接适用于短电缆的情况。信号的源阻抗应低于 600 欧姆。

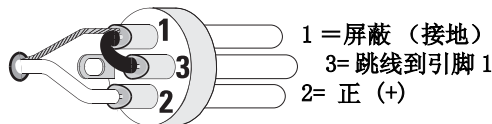
输入连接

将外孔 XLR 输入插入标识为 IN 的插孔。确保接头完全插入。输入阻抗为 12k 欧姆（平衡）或 6k 欧姆（非平衡）。

平衡输入：如图所示连到插头。



非平衡输入：如图所示连到插头。引脚 3 和引脚 1 必须用跳线连接，如图所示。



输出连接

将内孔 XLR 接头插入标识为 OUT 的接头。将线缆的另一端接入下一个下游声音设备的输入接头。

增益控制

增益控制为内陷式，可以用小型螺丝刀或平板工具进行调整。顺时针转动增益控制会增大增益；逆时针转动则减小增益。dB 的衰减情况（从最大）显示在标签上。

增益控制按分贝 (dB) 衰减。有 21 个制动器可进行重复调整。上面的 14 步大约是每步 1 dB，正常的设置应该在这个范围内。低于 -14 dB 的范围不能用于正常程序电平，因为输入净空可能被超过，但可在降低电平下测试。在最小设置下，信号完全被切断。

过滤器选择开关

在增益控制上有一个小的拨动开关可以选择全幅操作或向系统应用一个 100 赫兹低阻滤波器。

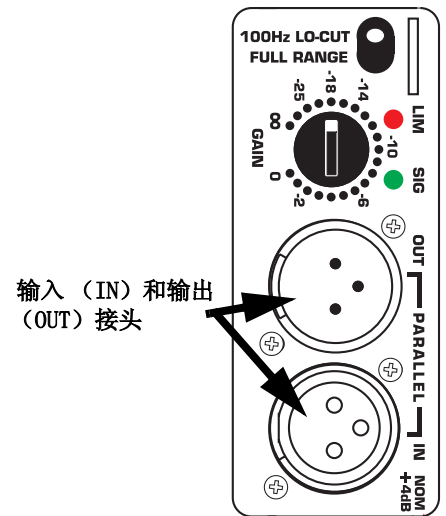
全幅设置

对于没有亚低音扬声器的应用或者专用的低频机罩使用全幅设置。

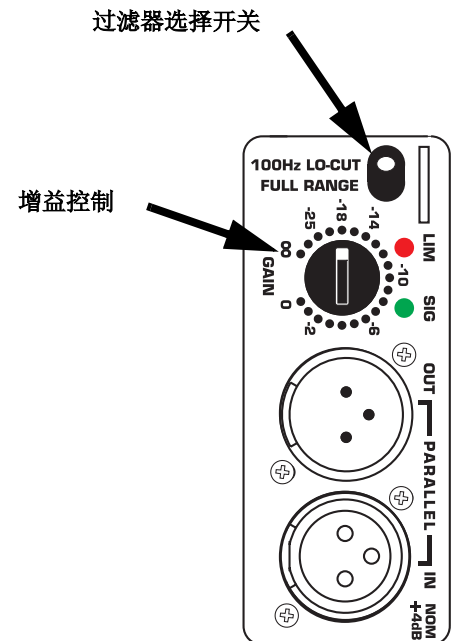
100 Hz 低阻设置

对于可选亚低音扬声器或低频系统使用 100 赫兹低阻设置。

双向楔会将低频内容置于低于 100 赫兹的 24dB/ 八分音度过滤，这样在低频时产生的失真更小，在中频时也能产生更好的清晰度。



输入 (IN) 和输出 (OUT) 接头



信号指示 LED

绿色的信号指示灯提醒用户存在到 MD 扬声器的输入信号。

正常显示

如果输入信号超过 -25dB，绿色的信号指示灯亮起。

如果没有显示

检查增益设置；如有必要，增加增益值。检查输入端连接和信号的音频源。如果红色限位 LED 亮起，请参阅下面的限位指示灯部分。

异常显示

如果绿色信号 LED 闪亮，而没有信号输入，可能是系统震动或其他故障。断开负载或大幅度降低增益。如果绿色信号 LED 仍然亮起，可能需要维修放大器。

限位器指示 LED

红色的限位指示灯向用户提醒 MD 扬声器中的多个异常状态：

红灯继续亮起

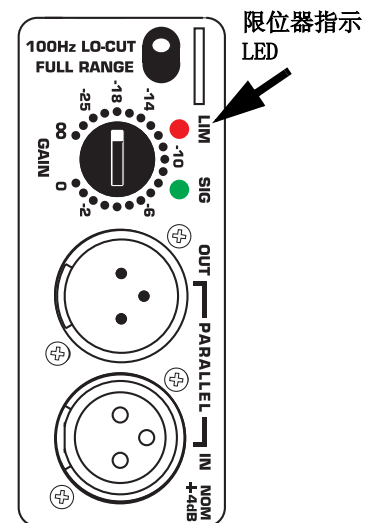
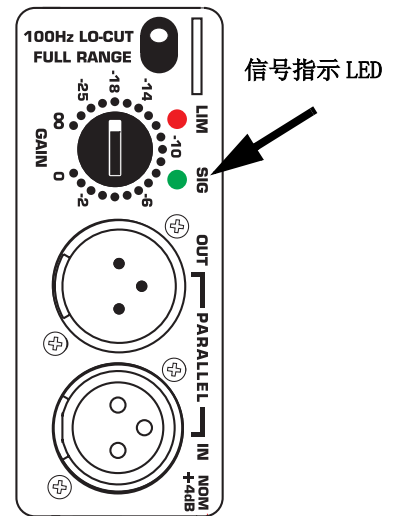
- 表示保护性静音模式。
- 扬声器通常会在加电后静音几秒钟，然后指示灯熄灭，声音传出。
- 如果扬声器在工作中进入静音，可能是过热或者发生了故障。
- 如果是过热，则其会在 1 - 2 分钟内自动修正，然后声音继续传出。如欲了解过热保护的详情，请参阅下面的部分。
- 短期的默音表示元件故障。如果出现这种情况，应将交流电源移除后维修扬声器。

红色指示灯瞬闪

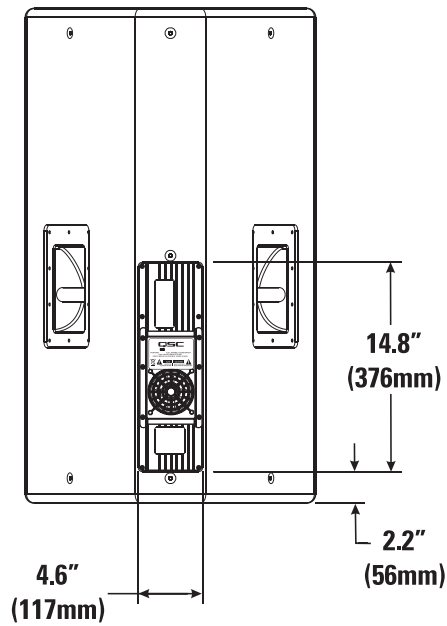
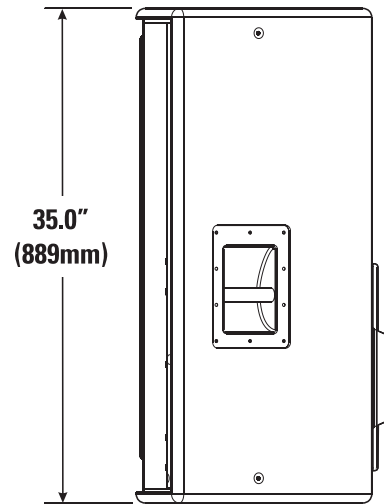
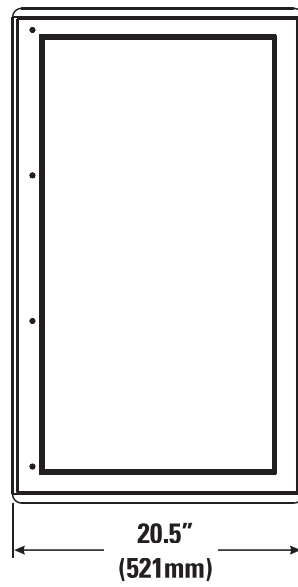
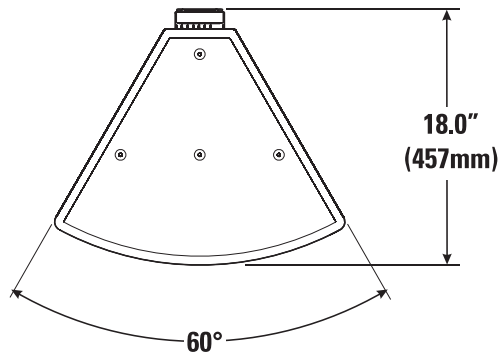
- 在工作过程中闪动表示削波（过载变形）。
- 通常是由音量过大造成的，经常会伴有可以听到的声音失真情况。
- 如果扬声器在峰值中不断默音，则可能是元件出现了故障。应将交流电源移除后维修扬声器。

红灯持续半亮起

- 表示由于削波过长和 / 或温度过高，内部限位器正在降低增益。
- 经过几秒钟的严重削波后，限位器将降低功率来保护扬声器并提高声音效果。这样会造成稳定的半亮红灯提示。如果还有进一步的削波，稳定的半亮提示上部会出现明亮的闪光。程序电平降低后，限位器会在几秒钟后清空，红色指示灯熄灭。
- 如果功率模块过热，第一个反应就是启动限位以降低音量并防止温度进一步升高。这样会使得指示灯稳定地半亮，而且即便降低了程序电平也不会清空。可能需要几分钟时间温度才能降低并清空限位器。如果在此期间触摸暴露在外的散热片会感到烫得让人受不了。如果持续过热，放大器将最终静音，使指示灯出现全亮指示。清空静音后，放大器会恢复工作，而热限位继续起效直至进一步冷却。
- 过热的原因通常是因为环境温度过高，因为 D 级功率模块的内部温度升高是相对较低的。要防止扬声器过热，比如不要放置在取暖炉上，也不要让阳光直接照射在散热片表面。



尺寸



CH



注意！仅黑色机罩有把手！白色机罩不配把手。

起吊点位置

在模块化机罩上有 15 个按负载设定的起吊点；上下各四个，两边各两个，机罩后面三个。这些起吊点在图上用箭头指示出来。注意：机壳底部上的起吊点没有在图上显示出来，但是它们应该和机壳顶部所显示的起吊点相同。

出厂时，各起吊点都安有一个按强度设定的平头螺栓。螺栓是机罩的承重组件。除非要用锻造肩型吊环螺栓替换，否则请勿移除这些螺栓。如果平头螺栓丢失，请联系 QSC 的技术服务部进行更换。

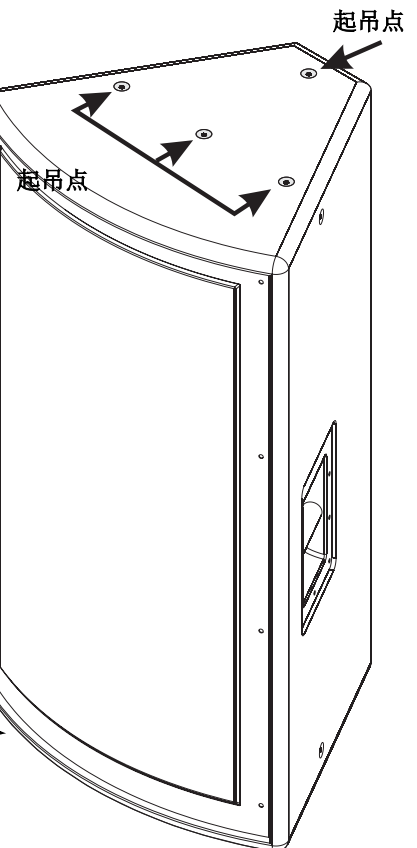
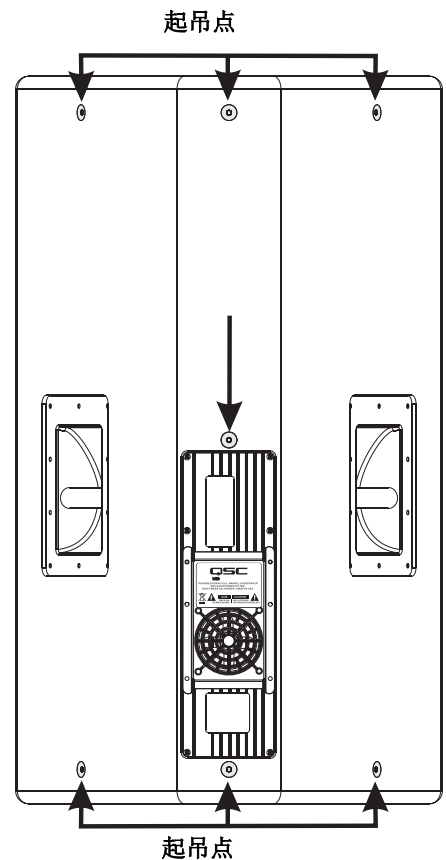


确保所有的起吊点扣件都已安装且牢牢地固定以确保机罩的额定强度。另外，由于缺少五金件而造成的空气泄漏也会降低扬声器的性能。

仅使用 3/8 英寸，每英寸上 16 个线头的锻造肩型吊环螺栓，QSC 部件编号为 SR-000096-00。联络 QSC 技术服务部了解详细信息。

放置、安装、装配或悬挂扬声器产品前，检查所有硬件、悬架、搁柜、变频器、支架和相关设备有无损坏。任何额定部件的缺失、腐蚀、变形或未装载都可能大大降低安装、放置或阵列的强度。以上任何情况都会严重降低安装的安全性，一经发现应立即更正。仅限使用符合额定加载条件安装并可应付可能的短期突发超载的硬件。切勿超过硬件或设备的额定值。

关于物理设备的安装，请咨询经认证的专业工程师。确理解并遵循所有当地、州和国家关于悬空设备安全和操作的规定。



在机罩底部还有 4 个起吊点。

注意！仅黑色机罩有把手！白色机罩不配把手。

喇叭旋转

各型号出厂时的覆盖角度显示在各规格部分中。如果需要，可以将高频驱动器 / 喇叭组旋转 90° 来改变覆盖角度平面。

比如：出厂时，如果机罩正常放置（垂直，如右图所示），MD-FP122/64r 在水平面的标称覆盖范围是 60°，垂直面为 40°。要将覆盖范围更改为水平面 40°，垂直面 60°，则需要移动高频驱动器 / 喇叭组，旋转 90° 后，再安装好。

如何旋转喇叭



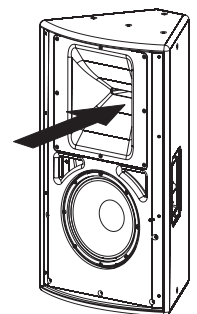
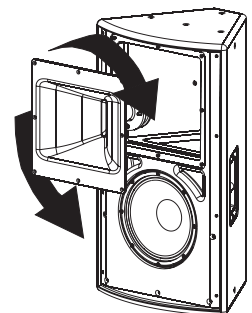
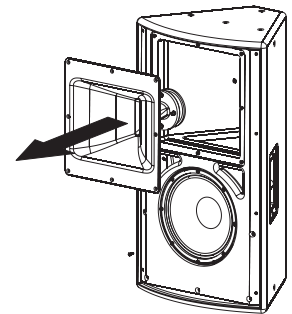
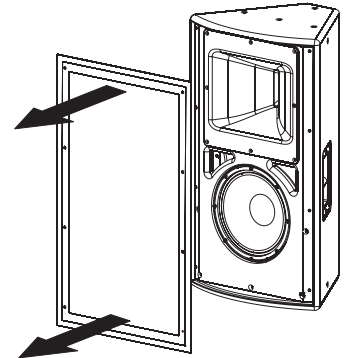
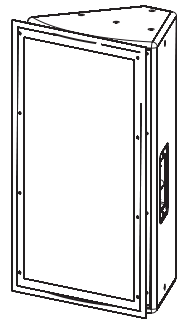
注意！对机罩类的大型设备进行操作时，一定要有助手帮助。安装时栅格组件处于拉紧状态！移除固定螺丝时一定要用胶带临时固定栅格或者让助手抓住栅格边缘。

- 1- 让助手抓住栅格以防晃动的同时将四个螺丝从栅格的一侧移除。移除栅格另一侧的四个螺丝。将栅格和固定螺丝放在一旁。
- 2- 去掉八颗喇叭管固定螺丝。将喇叭从其安装孔小心地提起，注意不要扯开或拉开喇叭和机罩之间的泡沫垫圈。
- 3- 将喇叭转到想要的位置后将其放回安装孔，确定将垫圈放置在正确的位置上。
- 4- 安上八颗喇叭管固定螺丝。在全部部件安装并且用手指固定后方可上紧螺丝。这样可以避免挤碎喇叭。将固定螺丝上紧。
- 5- 重新安装时对准并对其栅格组件。在一侧安上四个固定螺丝，不要全部拧紧。沿机罩的前面板小心地弯曲栅格，然后安装剩余的四个固定螺丝。安装最后四个固定螺丝的时候让助手将栅格固定到位，这样做比较容易安装。



栅格固定螺丝的扭矩为每英寸 30 — 35 磅（每米 0.35-0.40 公斤）。

喇叭组的固定螺丝的扭矩为每英寸 40 英镑（每米 0.46 公斤）



规格

MD-FP122/64r

MD-FP122/94r

MD-FP122/124r

频率响应, $\pm 3\text{dB}$	50-17.5k Hz	55-20k Hz	55-18.6k Hz
频率范围, -10dB	50-18k Hz	50-20.5k Hz	50-20k Hz
最大峰值 SPL	128dB	128dB	128dB
标称覆盖范围, $H \times V$ (按出厂时的安装)	$60^\circ \times 40^\circ$	$90^\circ \times 40^\circ$	$120^\circ \times 40^\circ$
定向指数	13.0	11.1	9.6
定向因数	19.8	13.0	9.1
声音分频频率	1.4k Hz	1.4k Hz	1.2k Hz

换频器说明

低频: 直径 12" (305mm), 音圈 4" (102mm), 铁氧体磁铁
 高频: 出口截面直径 1.4" (36mm), 音圈 2.5" (64mm), 钕磁铁, 所有型号产品

放大器功率

低频: 800W, 高频: 200W, 所有型号

输入灵敏度

$1.2V_{\text{rms}}$ (+4dB), 所有型号

输入净空高度 / 削波

$7.5V_{\text{rms}}$ (+19.5dB), 所有型号

输入接头 / 阻抗

内孔 XLR, 20k ohm, 平衡, 所有型号

输出接头

外孔 XLR, 和输入接头平行布线

控制、指示灯和调整

可旋转喇叭组, 增益控制, 100 赫兹高通滤波开关, 削波 / 限位 (红色 LED), 信号出现 (绿色 LED), 交流电源 (蓝色 LED), 所有型号

保护、机构证明

热限位、开 / 关静音、交流突入电流限位、FCC B 级 (传导和辐射)、UL/CE 许可

交流电源要求

	AC Amperes	BTU ¹
Idle	<0.5 A	<100
1/8 Power ¹	2.5 A	570
1/3 Power ²	5.0 A	1380
Full Power ²	15.0 A	4010

Notes:
 (1) 1/8 power is typical of "maximum unclipped program levels".
 (2) 1/3 power represents "moderately clipped" operation.
 (3) Full power only occurs for short peaks.
 (4) BTU includes loudspeakers and amplifier.

交流电源接头

出厂时提供的插头: Neutrik Powercon 上的 10' (3m) #18AWG 120V 北美插头

规格

20.5" (521mm) W, 35.0" (889mm) H, 17.1" (432mm) D, 包括后散热片
 在机罩后留出 100mm (4.0") 的自由空间以便保证放大器的正常冷却

重量

88 lb/40 kg 88 lb/40 kg 89 lb/41 kg

漆面和栅格

所有型号 - 耐磨材质涂料漆面和镀粉穿孔钢质栅格

注意事项:

- 1- 最高峰值 SPL: 通过增加扬声器的灵敏度 (1m 时 1W) 到放大器所提供的峰值 (dBw) 来计算。
- 2- 覆盖范围: 包括 -6dB 点间的角度, 正 X、负 Y dB、500 到 3.2k Hz、以 ISO 推荐的 1/3 八分音度间隔, 或者其它指定的频率范围。
- 3- 定向指数 (DI): 对于指定的覆盖范围, 在轴 SPL 和平均 SPL (考虑所有轴) 之间的差值。DI = $10 \log Q$
- 4- 定向因数 (Q): 以功率因数 $Q = 10 \exp DI/10$ 表达的定向指数
- 5- 放大器功率: 低于 1% 削波时的最大持续功率, 在预期频率范围上的平均值
- 6- 输入灵敏度: 要求到达放大器削波的正弦波输入电压, 在用于确定最大峰值 SPL 的频率范围中测量, 正常时的增益, 限位时增益不降低。
- 7- 输入净空高度 / 削波: 最大输入电压。
- 8- 输入接头 / 阻抗: RF 分流电容不应在 20k 赫兹时将阻抗降低 30% 以上。
- 9- TBD = 待确定, 印刷时数据不可用

规格	MD-FP152/64r	MD-FP152/94r	MD-FP152/124r
----	--------------	--------------	---------------

频率响应, $\pm 3\text{dB}$	50-17.5k Hz	50-19k Hz	50-19kHz
频率范围, -10dB	45-18k Hz	45-20k Hz	5-20.5k Hz
最大峰值 SPL	129dB	129dB	129dB
标称覆盖范围, $H \times V$ (按出厂时的安装)	$60^\circ \times 40^\circ$	$90^\circ \times 40^\circ$	$120^\circ \times 40^\circ$
定向指数	12.8	11.3	9.6
定向因数	19.0	13.4	9.1
声音分频频率	1.32k Hz	1.4k Hz	1.2k Hz

换频器说明 低频: 直径 15" (381mm), 音圈 4" (102mm), 铁氧体磁铁
高频: 出口截面直径 1.4" (36mm), 音圈 2.5" (64mm), 钕磁铁, 所有型号产品

放大器功率 低频: 800W, 高频: 200W, 所有型号

输入灵敏度 $1.2V_{\text{rms}}$ (+4dB), 所有型号

输入净空高度 / 削波 $7.5V_{\text{rms}}$ (+19.5dB), 所有型号

输入接头 / 阻抗 内孔 XLR, 20k ohm, 平衡, 所有型号

输出接头 外孔 XLR, 和输入接头平行布线

控制、指示灯和调整 可旋转喇叭组, 增益控制, 100 赫兹高通滤波开关, 削波 / 限位 (红色 LED), 信号出现 (绿色 LED), 电源 (蓝色 LED), 所有型号

保护、机构证明 热限位、开 / 关静音、交流突入电流限位、FCC B 级 (传导和辐射)、UL/CE 许可

交流电源要求

	AC Amperes	BTU ⁴
Idle	<0.5 A	<100
1/8 Power ¹	2.5 A	570
1/3 Power ²	5.0 A	1380
Full Power ³	15.0 A	4010

Notes:
(1) 1/8 power is typical of "maximum unclipped program levels".
(2) 1/3 power represents "moderately clipped" operation.
(3) Full power only occurs for short peaks.
(4) BTU includes loudspeakers and amplifier.

交流电源接头 出厂时提供的插头: Neutrik Powercon 上的 10' (3m) #18AWG 120V 北美插头

规格 20.5" (521mm) W, 35.0" (889mm) H, 17.1" (432mm) D, 包括后散热片
在机罩后留出 100mm (4.0") 的自由空间以便保证放大器的正常冷却

重量 89 lb/41 kg 88 lb/40 kg 89 lb/41 kg

漆面和栅格 所有型号 - 耐磨材质涂料漆面和镀粉穿孔钢质栅格

注意事项:

- 1- 最高峰值 SPL: 通过增加扬声器的灵敏度 (1m 时 1W) 到放大器所提供的峰值 (dBw) 来计算。
- 2- 覆盖范围: 包括 -6dB 点间的角度, 正 X、负 Y dB、500 到 3.2k Hz、以 ISO 推荐的 1/3 八分音度间隔, 或者其它指定的频率范围。
- 3- 定向指数 (DI): 对于指定的覆盖范围, 在轴 SPL 和平均 SPL (考虑所有轴) 之间的差值。DI = $10 \log Q$
- 4- 定向因数 (Q): 以功率因数 $Q = 10 \exp DI/10$ 表达的定向指数
- 5- 放大器功率: 低于 1% 削波时的最大持续功率, 在预期频率范围上的平均值
- 6- 输入灵敏度: 要求到达放大器削波的正弦波输入电压, 在用于确定最大峰值 SPL 的频率范围中测量, 正常时的增益, 限位时增益不降低。
- 7- 输入净空高度 / 削波: 最大输入电压。
- 8- 输入接头 / 阻抗: RF 分流电容不应在 20k 赫兹时将阻抗降低 30% 以上。
- 9- TBD = 待确定, 印刷时数据不可用

保修（仅限美国；其它国家，请联系您的经销商或分销商）

声明

QSC Audio Products, Inc. 对于因疏忽或不适当的安装和 / 或使用本扬声器产品而对放大器或任何其它设备所造成的任何损坏不承担任何责任。

QSC Audio Products 3 年有限质保协议

QSC Audio Products, Inc. (“QSC”) 担保其产品自销售之日起三年内不会发生材料或制造工艺缺陷；若在正常安装和使用条件下发生的损坏，QSC 将按照本质保协议更换有缺陷的零件和维修故障产品 - 但您要将产品送回我们的工厂或任一授权维修点，预付运费并附带购买证明（即销售收据）复印件。此质保协议规定，退回的产品必须经我们检查断定存在制造缺陷。本质保不适用于任何因误用、疏忽、意外、不正确安装，或日期编码被去掉或破损的产品。QSC 不对意外和 / 或间接发生的损害承担责任。此质保赋予您特定的法律权力。此有限质保在保证期内可自由转让。

在不同的州，顾客可能会有其他权利。

此有限质保不适用于为出口或不在美国销售而生产的产品。产品上缺少序列号，或者从非授权销售商处购买此产品，将失去此有限质保。

此质保协议会定期更新。请浏览：www.qscaudio.com，获得最新版本的 QSC 质保协议声明。

联系我们：800-854-4079，或访问我们的网站：www.qscaudio.com
1675 MacArthur Blvd., Costa Mesa, CA, 92626 USA
主要号码 (714) 754-6175 或免费电话（仅限美国）(800) 854-4079
客服 (714) 957-7150 或免费电话（仅限美国）(800) 772-2834

QSC™

© Copyright 2005, 2006 QSC Audio Products, Inc.

QSC® 是 QSC Audio Products, Inc. 的注册商标
“QSC” 以及 QSC 的标志已在美国专利和商标局注册

PowerCon® 是 Neutrik® 的注册商标，所提到的 Neutrik® 产品为 Neutrik® 的商标和 / 或服务标识。
所有商标归其各自拥有者所有。

Free Manuals Download Website

<http://myh66.com>

<http://usermanuals.us>

<http://www.somanuals.com>

<http://www.4manuals.cc>

<http://www.manual-lib.com>

<http://www.404manual.com>

<http://www.luxmanual.com>

<http://aubethermostatmanual.com>

Golf course search by state

<http://golfingnear.com>

Email search by domain

<http://emailbydomain.com>

Auto manuals search

<http://auto.somanuals.com>

TV manuals search

<http://tv.somanuals.com>