

Features

- Parallel outputs for feeding additional units
- 90° horizontal dispersion
- QuickMount bracket for fast, easy and secure installation
- High-power handling capability and rugged plywood enclosure optimized for digital soundtrack reproduction



Developed specifically for the unique requirements of professional motion picture playback, QSC extends its commitment to the cinema market with the introduction of the SR-46 Cinema Surround Loudspeaker. As a member of QSC's DCS Digital Cinema Speaker Series, the SR-46 offers high-power handling, excellent sensitivity, and extended bass response in a very compact enclosure.

The SR-46 Cinema Surround Loudspeaker features four high-power, long-throw 6.5" low-frequency transducers coupled with a 1" titanium diaphragm compression driver. The system's plywood enclosure features a 15" down angle baffle and Array Optimized Tuning (AOT) for optimum frequency response. The 300 watt continuous power rating and sophisticated crossover provides absolute reliability.

A 50° controlled vertical coverage provides for a better reach and more consistent sound pressure levels across the audience area.

The compact black enclosure with black grille blends into any theatre decor. A new QuickMount bracket design allows for fast, easy and secure installation. The loudspeaker half of the bracket comes pre-installed on each SR-46. The QuickMount wall bracket is purchased separately to allow shipment to the job site ahead of the loudspeakers. A traditional U-bracket is also available in lieu of the QuickMount bracket system.

Specifications

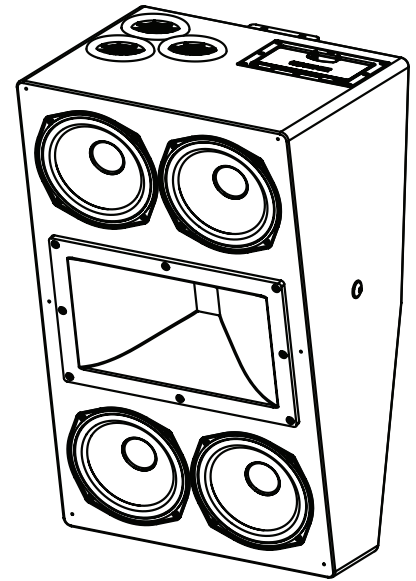
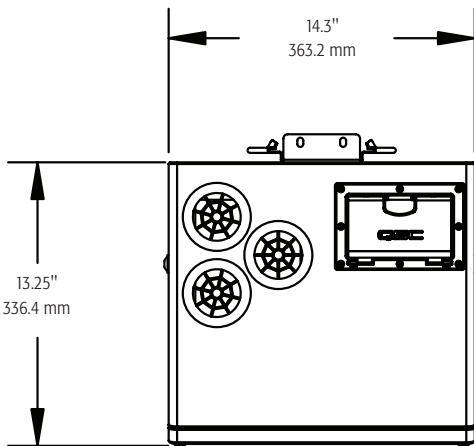
Frequency Range ¹	
-6 dB half space	50 Hz – 20 kHz
-10 dB half space	42 Hz – 20 Hz
Nominal Coverage	90° horizontal x 50° vertical (averaged from 1 kHz to 10 kHz, -6 dB)
Directivity Index	7.9 dB
Q	6.2
Maximum Output ²	
Calculated Peak at Rated Power	125 dB
Calculated Continuous	119 dB
Impedance	8Ω nominal
Maximum Input Power ³	
100 hours of 6 db crest factor IEC 268 noise spectrum	250 W RMS
2 hours of 6 db crest factor pink noise, 50 Hz – 20 kHz, AES method	300 W RMS
Recommended Amplifier Power	600 W RMS maximum into 8Ω
Sensitivity 1 watt/1 meter, half space	95 dB
Crossover Frequency	3 kHz
Recommended Processing	Subsonic filter at 50 Hz as provided by QSC DCA amplifiers
Connectors	Barrier strip screw terminals accept up to #10 AWG stranded wire
Transducers	4 x 6.5" long throw low-frequency transducers 1" titanium diaphragm compression driver on a CD horn
Enclosure	Plywood, baffle angle is 15° downward
Dimensions (HWD)	24" x 14.3" x 13.25" (610 mm x 363 mm x 336 mm)
Weight – Net	44 lb (20 kg)

1) All frequency ranges specified refer to measured free field response (half space, 2π).

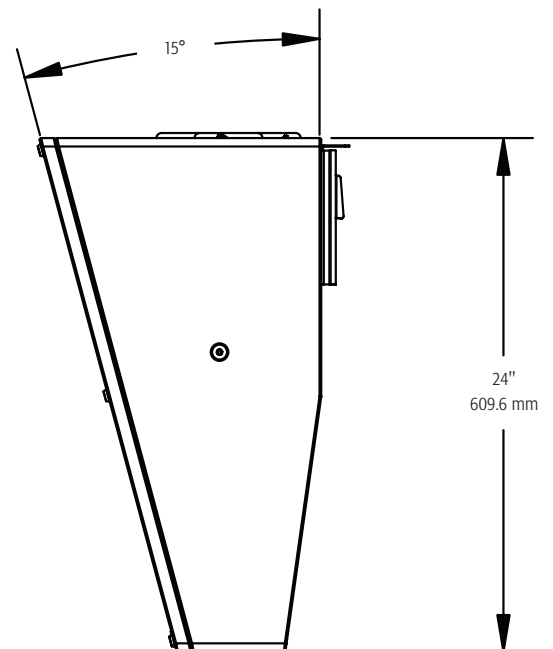
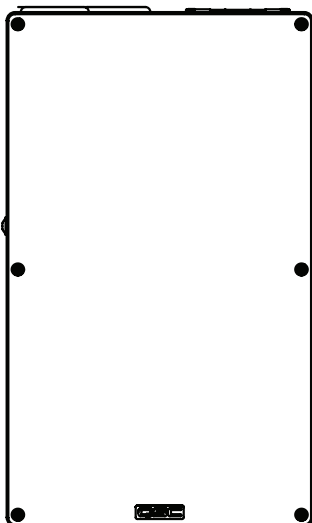
2) Calculated SPL at 1m, (half space, 2π), speaker operating at rated RMS power with pink noise within specified frequency range.

3) Maximum input power tested in accordance with IEC 268-5 recommendations, 50 Hz – 20 kHz band limiting, 6 dB signal crest factor.

Top



Front



Side

Specifications subject to change without notice.

QSC and the QSC logo are registered trademarks of QSC Audio Products, LLC in the U.S. Patent and Trademark office and other countries. All other trademarks are the property of their respective owners. Patents may apply or be pending.

1675 MacArthur Boulevard • Costa Mesa, CA 92626 • Ph: 800/854-4079 or 714/957-7100 • Fax: 714/754-6174

SR-46 Spec Sheet - 06/20/08

QSC
qscaudio.com

Free Manuals Download Website

<http://myh66.com>

<http://usermanuals.us>

<http://www.somanuals.com>

<http://www.4manuals.cc>

<http://www.manual-lib.com>

<http://www.404manual.com>

<http://www.luxmanual.com>

<http://aubethermostatmanual.com>

Golf course search by state

<http://golfingnear.com>

Email search by domain

<http://emailbydomain.com>

Auto manuals search

<http://auto.somanuals.com>

TV manuals search

<http://tv.somanuals.com>