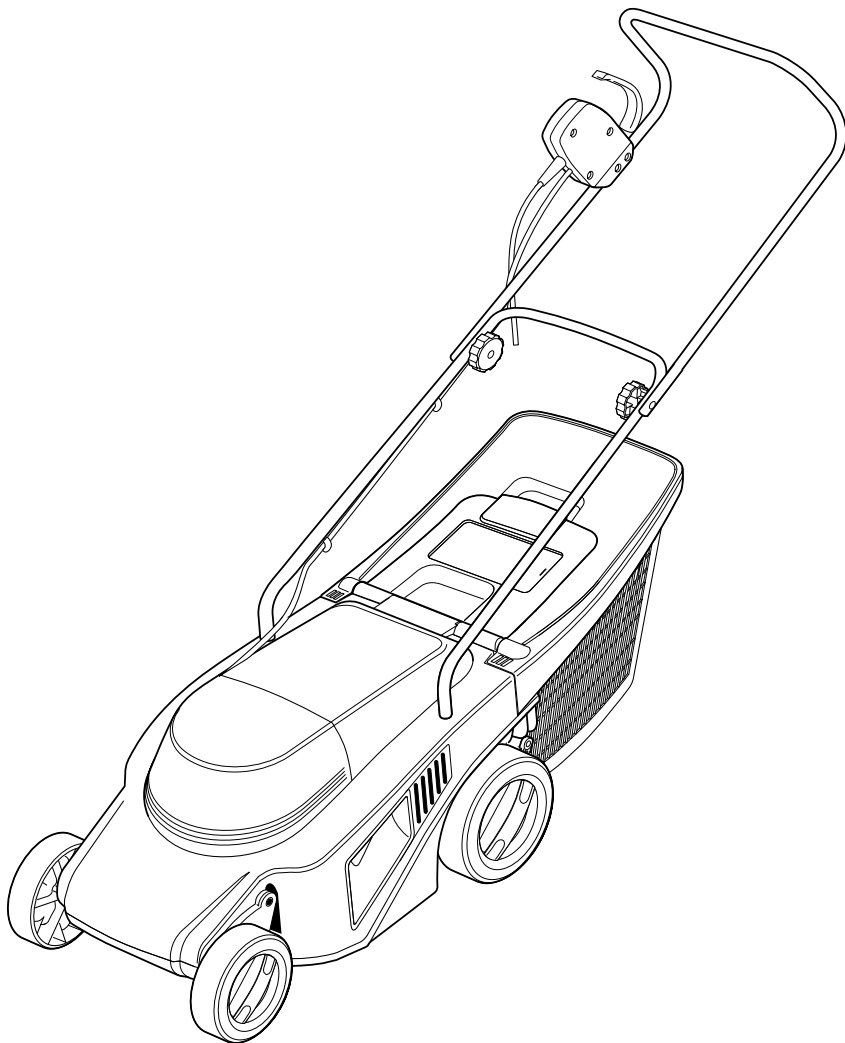


QUALCAST



COBRA 32 OPERATING INSTRUCTIONS

Safety Rules



WARNING ! Know your controls. Read the user instructions carefully.
Learn how to stop the mower quickly in an emergency.

Explanation of symbols on the lawnmower.



1. General hazard safety alert.



2. Read Instruction Manual.



3. Beware of thrown or flying objects to bystanders.



4. Keep bystanders a safe distance away from the machine.



5. Switch off and remove plug from mains before adjusting, cleaning or if the cable is entangled and before leaving the lawnmower unattended for any period. Keep the supply flexible cord away from the cutting blade.



6. Sharp blade(s). Beware of severing toes or fingers.



7. Wait until all machine components have completely stopped before touching them. The blade continues to rotate after the machine is switched off, a rotating blade can cause injury.



8. Do not mow in the rain or leave the lawnmower outdoors whilst it is raining.

Never allow children or people unfamiliar with these instructions to use the lawnmower. Local regulations may restrict the age of the operator.

Never mow while people, especially children or pets, are nearby.

The operator or user is responsible for accidents or hazards occurring to other people or their property.

Do not operate the lawnmower when barefoot or wearing open sandals, always wear substantial footwear and long trousers.

Thoroughly inspect the area where the lawnmower is to be used and remove all stones, sticks, wires, bones and other foreign objects.

Before using, always visually inspect to see that the blade, blade bolt and cutter assembly are not worn, damaged or loose.

Replace worn or damaged blade and bolts in sets to preserve balance.

Mow only in daylight or in good artificial light.

Avoid operating the lawnmower in wet grass, where feasible.

Walk, never run.

Never cut grass by pulling the mower towards you.

Mowing on banks can be dangerous:

- Do not mow excessively steep slopes.
- Always be sure of your footing on slopes or wet grass.
- Mow across the face of slopes - never up and down.
- Exercise extreme caution when changing direction on slopes.
- Use extreme caution when stepping back or pulling the lawnmower towards you.

Stop the mower if the lawnmower has to be tilted for transportation when crossing surfaces other than grass and when transporting the lawnmower to and from the area to be mowed.

Do not tilt the lawnmower when starting or switching on the motor, except if the lawnmower has to be tilted for starting in long grass. In this case, do not tilt it more than absolutely necessary and lift only the part which is away from the operator.

Switch on the lawnmower with feet well away from the blade.

Do not put hands or feet near or under rotating parts.

Never operate the lawnmower without the grassbox/bag or deflector guard in position.

Never operate the lawnmower with a defective deflector guard or a defective grassbox/bag.

Never pick up or carry the lawnmower while the motor is running.

Remove the plug from the socket:

- whenever you leave the machine;
- before clearing a blockage;
- before checking, cleaning or working on the lawnmower;
- after striking a foreign object. Inspect the lawnmower for damage and make repairs as necessary;
- if the lawnmower starts to vibrate abnormally (check immediately).

Keep all nuts, bolts and screws tight to be sure that lawnmower is in safe working condition.

Check the grassbox/bag frequently for wear or deterioration.

Replace worn or damaged parts for safety.

Ensure only replacement parts fitted are Qualcast approved.

Introduction

Thank you for buying your new Qualcast lawnmower. This manual gives instructions on the correct assembly and safe use of your mower. It is important that you read these instructions carefully.

When fully assembled the machine weighs approximately 13.5kg. If necessary, obtain assistance to remove from packaging.

Take care when pushing the machine over uneven surfaces. Never lift the machine unless you feel it is comfortably light enough to do so. Obtain assistance if you have tight areas or obstacles to negotiate.

Please record the following information. It will help your service agent if you ever need assistance or spare parts. The information is located on a label on the rear of the machine.

Model N°	
Serial N°	
Date of purchase	

Unpacking

Carefully remove the machine from its packaging and check that you have all the following items:

1. Mower
2. Handle top
3. Handle bottom
4. Grassbox and grassbox top
5. A hardware pack containing:
Mower Operating Instructions,
2 clips, 2 wingnuts, 2 bolts and
Machine Registration Card.

If any components are missing please call the Consumer Care Hotline on (01449) 742130 for assistance. We also have a wide network of Qualcast Approved Service Agents who you can contact for service and advice both within and outside the period of the guarantee.

For ordering spares/replacements please refer to the parts diagram supplied.



WARNING!



SWITCH OFF, REMOVE PLUG FROM MAINS BEFORE ADJUSTING, CLEANING OR IF CABLE IS CUT OR ENTANGLED.

THE BLADE CONTINUES TO ROTATE FOR A FEW SECONDS AFTER THE MACHINE IS SWITCHED OFF.

CAUTION - DO NOT TOUCH ROTATING BLADE.

Electrical Safety

Note: It is recommended for increased electrical safety to use a Residual Current Device (RCD) with a tripping current of not more than 30mA. Always check your RCD every time you use it.

Note: Your mower is fitted with an approved 13A (BS1363/A) electric plug and is protected by a 13A fuse (ASTA Approved to BS1362).

If the fitted plug is not suitable for your socket outlets, it should be cut off and an appropriate plug fitted in its place.

The severed plug must be disposed of to avoid a possible shock hazard and should never be inserted into a 13A socket elsewhere.

Your mower is double insulated for safety and requires no earth connection. The operating voltage is 230V ac.50Hz.

Extension cable

Only use an approved extension cable. Contact your Qualcast Approved Service Agent for details.

The couplings of connection leads must be protected against splashes and the coupling sockets on the leads must be made of rubber or coated with rubber.

Fixing means for the connection leads must be used.

The connection lead must be inspected for signs of damage at regular intervals and may only be used if in perfect condition.

Assembly

1. Raise the height of cut to setting 7 (65mm). See Height of Cut Adjustment.
Fit the handle bottom to the mower Step 1 Fig 1A. Line up the holes of the handle bottom and mower and fit plugs Step 2 Fig 1A, ensuring that they are fully inserted.
2. Assemble the handle top to the handle bottom Fig 1B. Ensure that the cable clips are attached around the intermediate cable before fitting to the handles Fig 1C.
3. Assemble the grassbox Fig 1D.

Using your Mower

Grassbox

For non grass collection the mower can be used without the grassbox in position, with the deflector guard in the down position.

Fitting the grassbox

Lift the deflector guard and hold up Fig 2.
Fit the grassbox Fig 2.

Removing/ Emptying

Lift the deflector guard and hold up - remove grassbox.

Height of Cut Adjustment

Stop, release switch lever before adjusting height.

Your machine has seven settings which give the following approximate height of cuts:

1 = 18 mm 2 = 22 mm 3 = 27 mm
4 = 32 mm 5 = 40 mm 6 = 50 mm 7 = 65 mm

Remove the grassbox to aid adjustment (see 'Grassbox').

Press and hold the height of cut button Fig 3.

Lift up or push down the machine until the required height is indicated Fig 3.

Release the height of cut button to lock the height of cut setting, a click will be heard when locked.

Starting and Stopping

To aid starting, push handle down to lift front wheels.

Starting



Press and hold the safety button Fig 4.

Squeeze the switch lever towards the handle.

Release the safety button Fig 4.

Stopping

Release the switch lever Fig 4.

Mowing

Place the machine on the edge of the lawn, as close to the power point as possible. Work away from the power point Fig 5.

When mowing **DO NOT ALLOW THE MOTOR TO LABOUR**, particularly in heavy conditions. When the motor labours the speed of the motor drops and you will hear a change in the motor sound, when this occurs stop mowing, release switch lever and **RAISE THE HEIGHT OF CUT**. Failure to do so could damage the machine.

After Mowing/Storage

Clean the exterior of the machine thoroughly using a soft brush and cloth. Do not use water, solvents or polishes. Remove all grass and debris, especially from the ventilation slots.

Turn the machine on its right side and clean the blade area. If grass cuttings are compacted in the blade area, remove with a wooden or plastic implement.

Store the machine in a dry place. Do not place other objects on top of the machine.

To aid storage loosen the handle wheels Fig 1C and fold the handles.

Ensure cable is not trapped when folding/unfolding top handles, **DO NOT DROP THE HANDLES**.

Maintenance

Stop, remove plug from the power supply and remove the grassbox.

Note: To ensure long and reliable service, carry out the following maintenance regularly.

Regularly check for obvious defects such as loose, dislodged or damaged blade, loose fixings, and worn or damaged components. Check that covers and guards are undamaged and correctly fitted.

Blade Maintenance

Stop, remove plug from the power supply and remove the grassbox.

Turn the machine on its right side Fig 6 and inspect the blade and fan; if blunt or damaged fit a new blade.

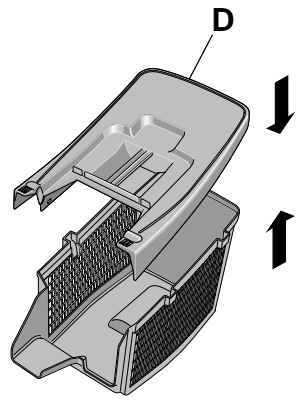
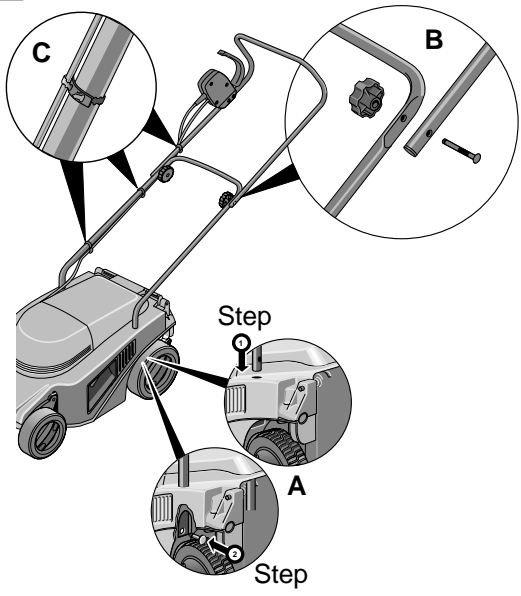
Use the following procedure to remove and replace the blade.

Hold the blade Fig 6A using gardening gloves, use a spanner (not provided) to remove the blade nut Fig 6B and blade.

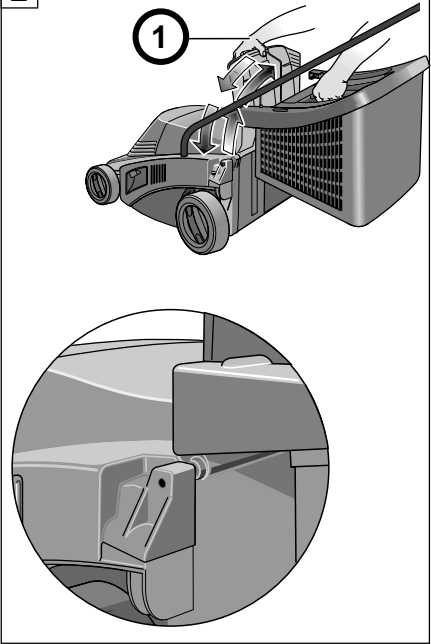
Before fitting the new blade, ensure that the fan Fig 6C is fitted correctly on the shaft. It will fit in only one position.

Fit the blade Fig 6A and the blade nut Fig 6B. Ensure that the blade is the correct way up and tighten the blade nut firmly.

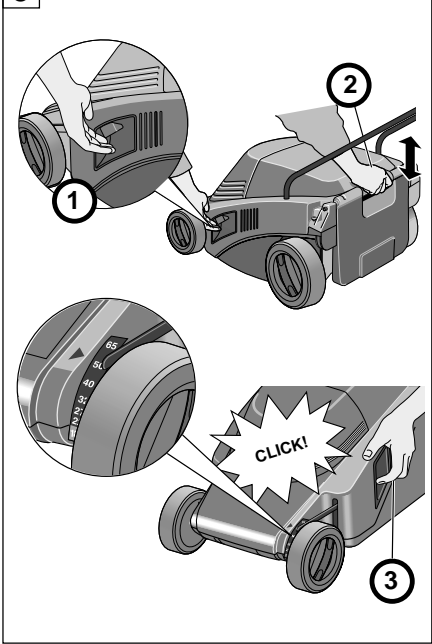
1



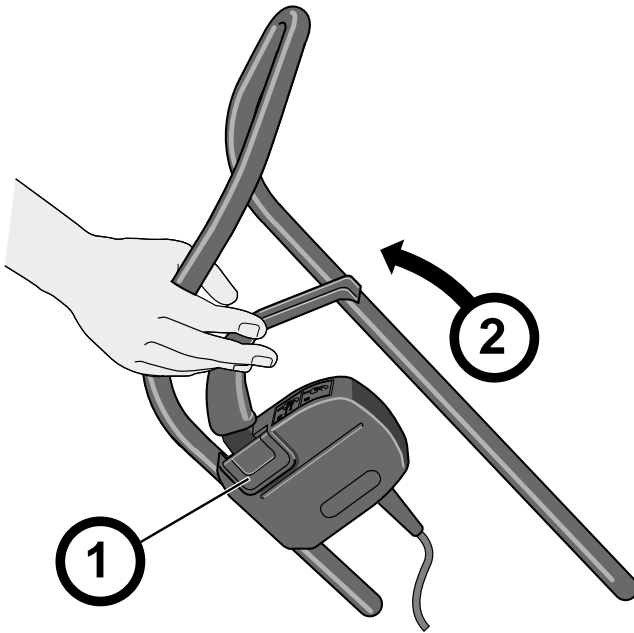
2



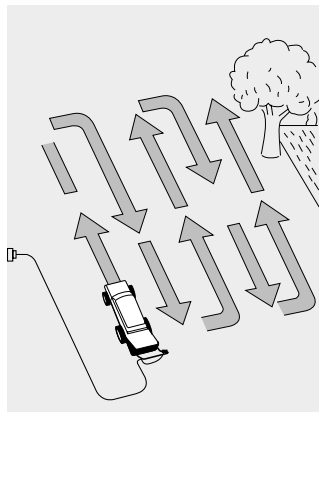
3



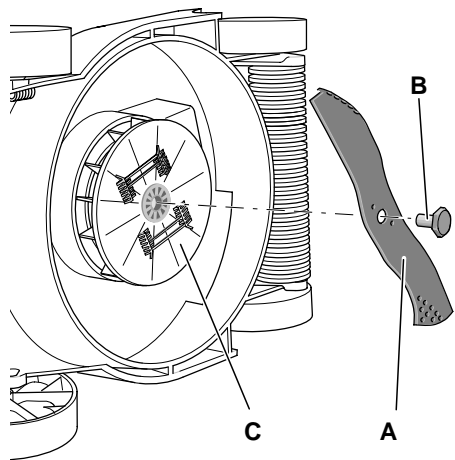
4



5



6



Fault Finding

The following table gives checks and actions that you can perform if your machine does not operate correctly. If these do not identify/remedy the problem contact your Qualcast approved service agent.

Warning - switch off, remove plug from mains before investigating fault.

Symptom	Possible Cause	Remedy
Machine fails to operate	Power turned off Mains socket faulty Extension cable damaged Fuse faulty/blown	Turn power on Use another socket Inspect cable, replace if damaged Replace Fuse
Machine functions intermittently	Extension cable damaged Machines internal wiring damaged	Inspect cable, replace if damaged Contact your service agent
Machine leaves ragged finish	Height of cut too low Cutting blade blunt Underside of machine badly clogged Blade fitted upside down	Increase height of cut (see Height of Cut Adjustment) Replace blade (see Blade Maintenance) Clean machine (see After Mowing/Storage) Refit blade correctly (see Blade Maintenance)
Cutting blade not rotating	Cutting blade obstructed Blade nut/bolt loose	Clear obstruction Tighten blade nut/bolt
Excessive vibration/noise	Blade nut/bolt loose Cutting blade damaged	Tighten blade nut/bolt Replace blade

Declaration of Conformity

Measured values determined according to 2000/14/EC (sound pressure level at a height of 1.60 m, 1 m distance away) and EN 28 662.

Typically the A-weighted noise level of the product is: sound pressure level 72 dB (A) ; sound power level 83 dB (A).

The typical hand/arm vibration is below 2.5 m/s²

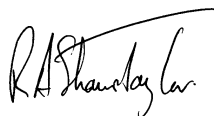
We declare under our sole responsibility, that this product is in conformity with the following standards or standardization documents: EN60335, EN 836 according to the provisions of the directives 89/336/EEC, 98/37/EC, 2000/14/EC.

2000/14/EC: The guaranteed sound power level L_{Wa} is lower than 84 dB (A). Conformity assessment procedure according to Annex VIII

Notified body: .SRL Sudbury, England

Signed at Stowmarket

Date: 2001



The Guarantee

Qualcast guarantees this product against manufacturing defects. We will repair (or replace at our option) if a manufacturing defect occurs within the guarantee period as long as it has only been subjected to domestic use.

For the purpose of this guarantee, domestic use means any use of the product on the property belonging to the purchaser and forming part of the garden area of his/her dwelling.

The guarantee period is 5 years parts and two years labour costs from date of purchase.

To obtain a repair under this guarantee:

- Take the product to an approved service agent.
- Show your dated proof of purchase.
- Show this guarantee.

The guarantee does not apply if:

- i. You cannot provide dated proof of purchase.
- ii. The product has been resold by the original purchaser (this does not apply in the Republic of Ireland), or has been used under hire.
- iii. The product has been modified to change the manufacturers specifications, or if non genuine replacement parts have been fitted.
- iv. Any previous repair was undertaken by anyone other than an approved service agent.
- v. The fault is due to maladjustment, abuse, neglect or accidental damage.
- vi. The fault is due to lack of lubrication or maintenance.
- vii. Damage to any part, particularly the drive or cutting mechanism has been caused by allowing the product to strike solid objects.
- viii. The product develops a fault due to abnormal use.

- ix. Failure is due to normal wear. The following parts are considered as wearing parts. Their life is dependant on regular servicing and they are not therefore, normally covered by the guarantee:

Blades
Bearings
Cables

The cost of routine maintenance of the product is not covered by the guarantee.

It is in your best interest to follow the Operating Instructions for your machine, as a properly cared for product should give many years of excellent service.

Should you require replacement parts, always insist on genuine Qualcast replacement parts. Any damage caused to the product through the fitting of parts not made by Qualcast is not covered by the guarantee.

Your statutory rights are not affected by this guarantee.



Environmental Information

Your product has been manufactured under an environmental management system using, when possible, the most environmentally responsible materials and processes, and with the potential for recycling at the end of its life. The packaging is also recyclable.

When the time comes to dispose of this product please consider the environment and take it to a recognised recycling facility.

(Please contact your local authority for location information).

Free Manuals Download Website

<http://myh66.com>

<http://usermanuals.us>

<http://www.somanuals.com>

<http://www.4manuals.cc>

<http://www.manual-lib.com>

<http://www.404manual.com>

<http://www.luxmanual.com>

<http://aubethermostatmanual.com>

Golf course search by state

<http://golfingnear.com>

Email search by domain

<http://emailbydomain.com>

Auto manuals search

<http://auto.somanuals.com>

TV manuals search

<http://tv.somanuals.com>