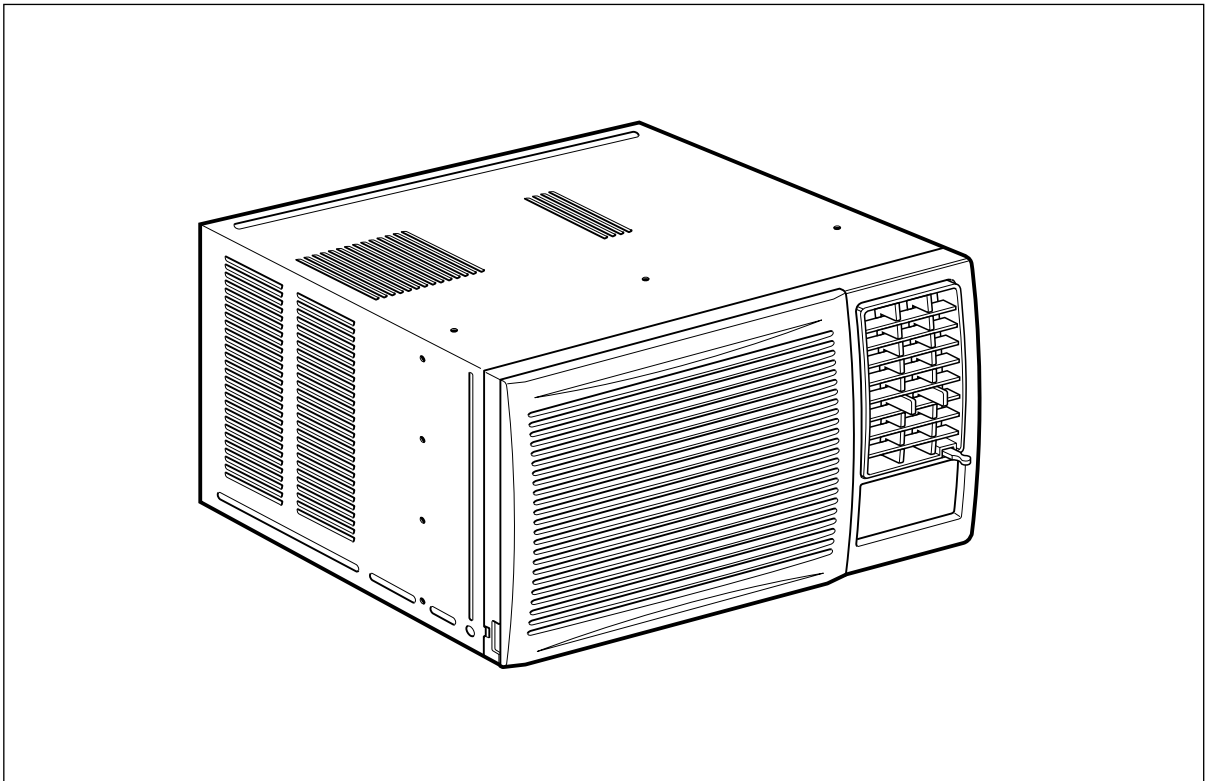


Qu

Room Air Conditioner

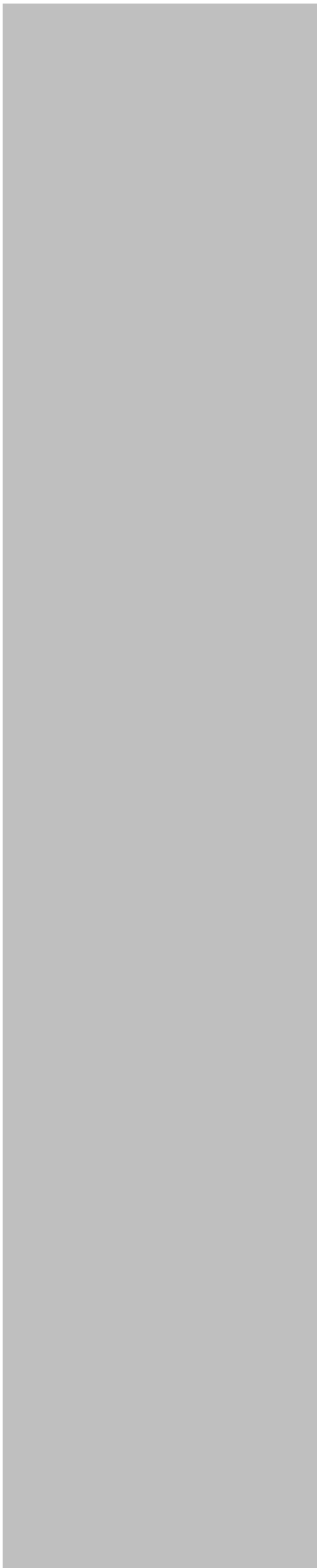
INSTALLATION AND OPERATING INSTRUCTIONS

Model: **HQ-2082UH**



Please read these operating instructions thoroughly before using your air conditioner and keep for future reference.

For assistance, please call : 1-800-211-PANA(7262) or
Register your product at : <http://www.panasonic.com/register>









Safety Precautions

To prevent injury to the user or other people and property damage, the following instructions must be followed.

■ Incorrect operation due to ignoring of instruction will cause harm or damage. The seriousness is classified by the following indications.



WARNING : This symbol indicates the possibility of death or serious injury.



CAUTION : This symbol indicates the possibility of injury or damage to property only.

■ Meanings of symbols used in this manual are as shown below.



Be sure not to do this.



Be sure to follow the instructions.



WARNING

Plug in the power plug properly.

- Otherwise, it will cause electric shock or fire due to heat generation.



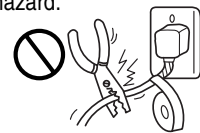
Do not operate or stop the unit by inserting or pulling out the power plug.

- It will cause electric shock or fire due to heat generation.



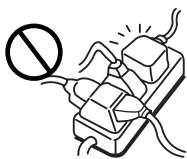
Do not damage or use an unspecified power cord.

- It will cause electric shock or fire.
- If the power cord is damaged, it must be replaced by the manufacturer or an authorized service center or a similarly qualified person in order to avoid a hazard.



Do not modify power cord length or share the outlet with other appliances.

- It will cause electric shock or fire due to heat generation.



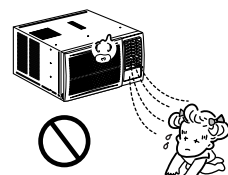
Do not operate with wet hands or in a damp environment.

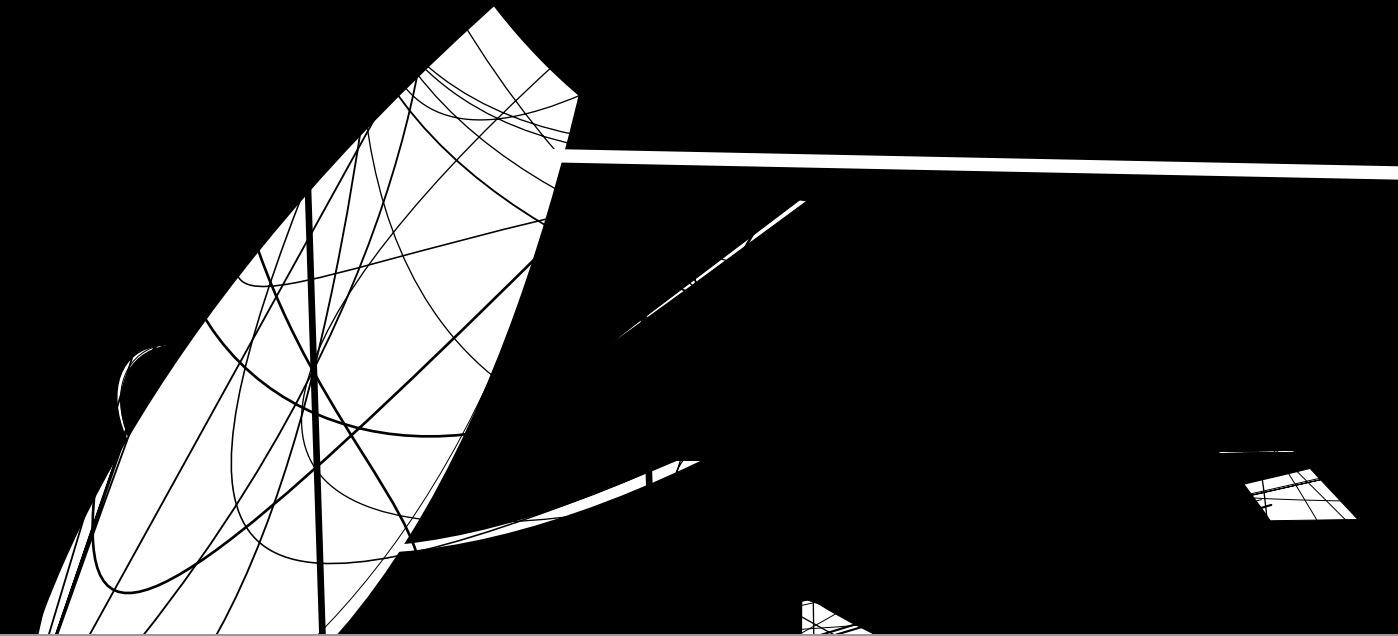
- It will cause electric shock.



Do not direct air flow at room occupants.

- This could lead to health problems.





Controls

Model : HQ-2082UH

Precaution: The Remote controller will not function properly if strong light strikes the sensor window of the air conditioner or if there are obstacles between the Remote Control unit and the air conditioner.

1 OPERATION BUTTON

- To turn the air conditioner ON, push the button.
To turn the air conditioner OFF, push the button again.
- This button takes priority over any other buttons.
- When you first turn it on, the air conditioner is on the High cool mode and the temp. at 72°F(22°C)

2

3

4

{High(F3) → Low(F1) → Med(F2) → High(F3)...}.

5 ECONOMY

- If you push this button, the fan stops when the

6 ON/OFF TIMER BUTTON

You can set the time when the unit will turn on or turn off automatically by pressing the timer button. If the unit is operating, this button controls the time it will be turned off. If the unit is in off state, this button controls the time it will start. Every time you push this button, the remaining time will be set as follows.

- STOPPING OPERATION

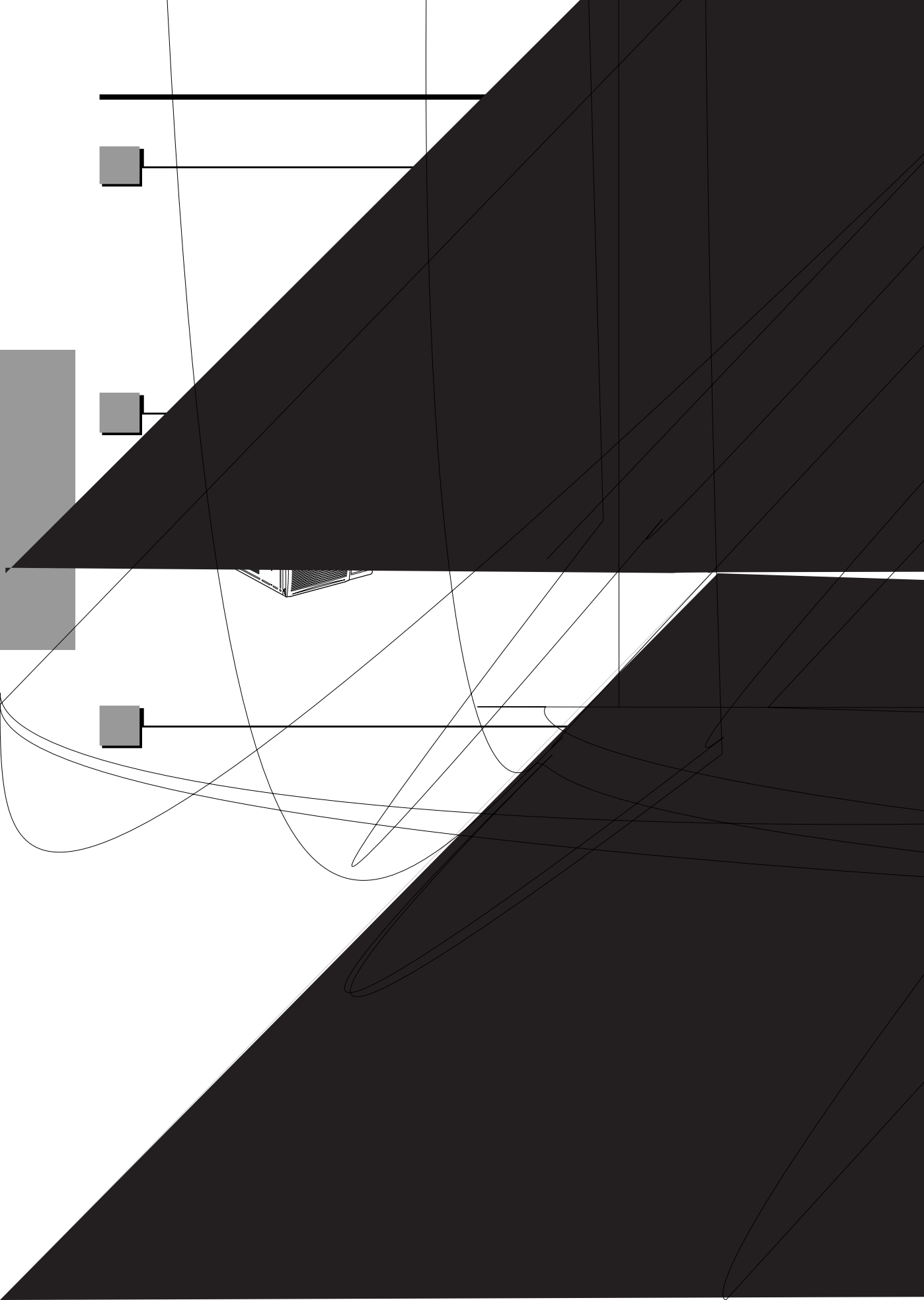
- Every time you push this button, when the air conditioner is

- The Setting Temperature will be raised by 2°F(1°C) 30min.

- Every time you push this button, when the air conditioner is not

7 REMOTE CONTROL SIGNAL RECEIVER

8 DRY



Care and Maintenance

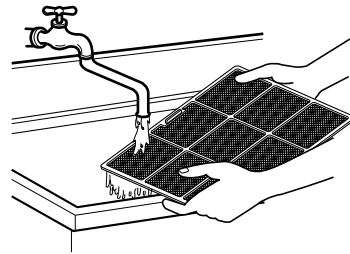
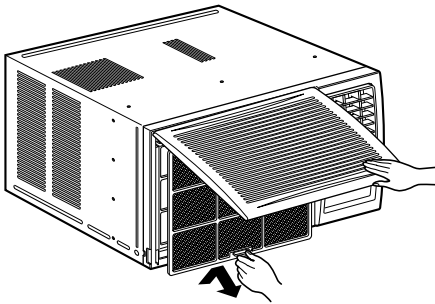
TURN THE AIR CONDITIONER OFF AND REMOVE THE PLUG FROM THE POWER OUTLET.

Air Filter Cleaning

The air filter behind the front grille should be checked and cleaned at least once every 2 weeks or more often if necessary.

TO REMOVE:

1. Open the inlet grille upward by pulling out the bottom of the inlet grille or downward by pulling out the top of the inlet grille.
2. Using the tab, pull up slightly on the filter to release it and pull it down or up.
3. Clean the filter with warm, soapy water under 40°C (104°F).
4. Rinse and gently shake the water from the filter and let it dry before replacing it.

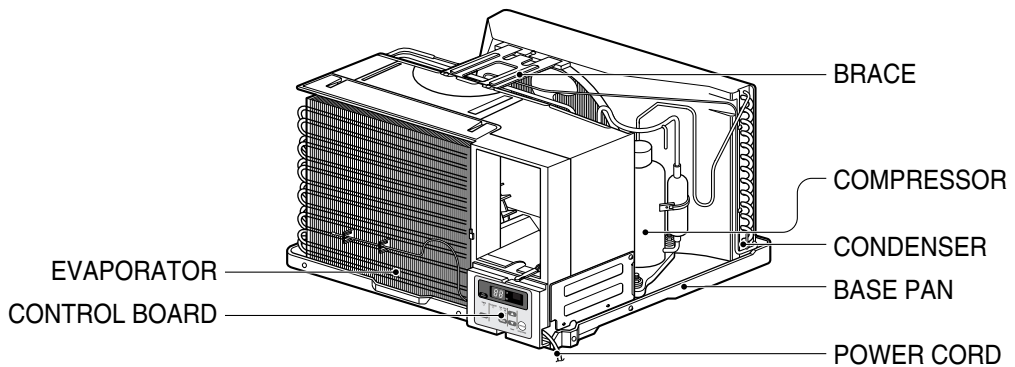
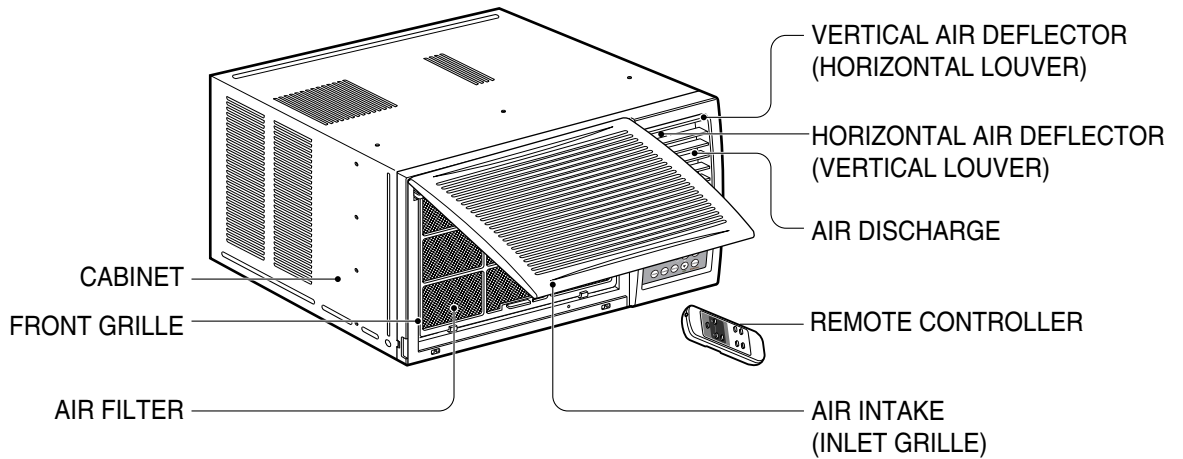


CAUTION: DO NOT operate the air conditioner without a filter because dirt and lint will clog it and reduce performance.

Features

Learning parts name prior to installation will help you understand the installation procedure.

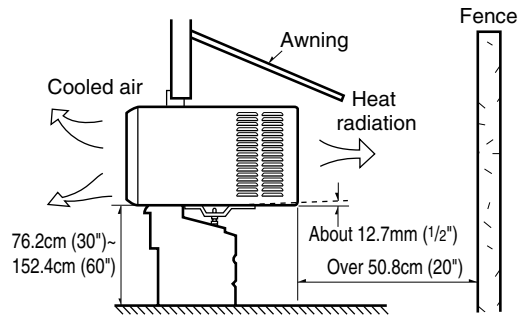
Features



INSTALLATION

How to Install the Unit

1. To prevent vibration and noise, make sure the unit is installed securely and firmly
2. Install the unit where the sunlight does not shine directly on the unit.
3. The outside of the cabinet must extend outward for at least 28cm (11") and there should be no obstacles, such as a fence or wall, within 50.8cm (20") from the back of the cabinet because it will prevent heat radiation of the condenser. Restriction of outside air will greatly reduce the cooling efficiency of the air conditioner.



CAUTION: All side louvers of the cabinet must remain exposed to the outside of the structure.

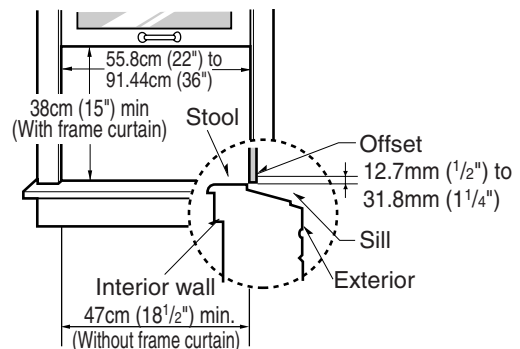
4. Install the unit a little slanted so the back is slightly lower than the front (about 12.7mm (1/2")). This will force condensed water to flow to the outside.
5. Install the unit with the bottom about 76.2cm (30")~152.4cm (60") above the floor level.

Window Requirements

NOTE: All supporting parts should be secured to firm wood, masonry, or metal.

This unit is designed for installation in standard double hung windows with actual opening widths from 55.88cm (22") to 91.44cm (36").

The top and bottom window sash must open sufficiently to allow a clear vertical opening of 38cm (15") from the bottom of the upper sash to the window stool.



Contents

NO.	DESCRIPTION	Q'TY
1	UNIT	2
2	UNIT	2
3	UNIT	2
4	UNIT	2
5	10mm (25/64")	16
6	5.1mm (3/16")/16mm (5/8")	3
7	4.1mm (5/32")/16mm (5/8")	5
8	UNIT	1
9	10mm x 2mm	1
10	BRACKET	1
11	30mm x 2mm	1
12	UNIT	1

■ Top retaining
in product

Required Tool Requirements

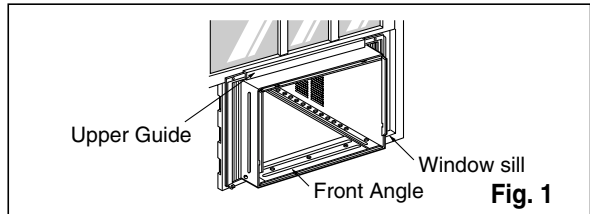
SCREWDRIVER(+, -), RULER, KNIFE, HAMMER, PENCIL

Shipping
Screws

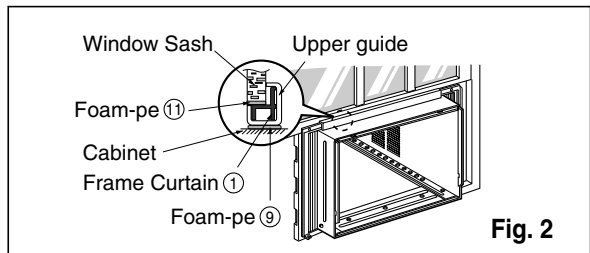
Features and Installation

Cabinet Installation

1. Open the window. Mark a line on center of the window sill (or desired air conditioner location). Carefully place the cabinet on the window sill and align the center mark on the bottom front with the center line marked in the window sill. (See Fig. 1)



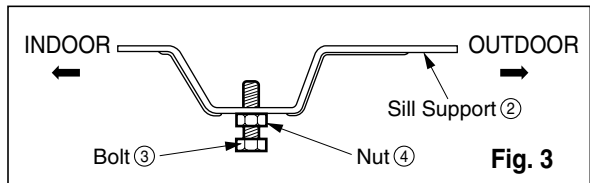
2. Pull the bottom window sash down behind the upper guide until it meets. (See Fig. 2)



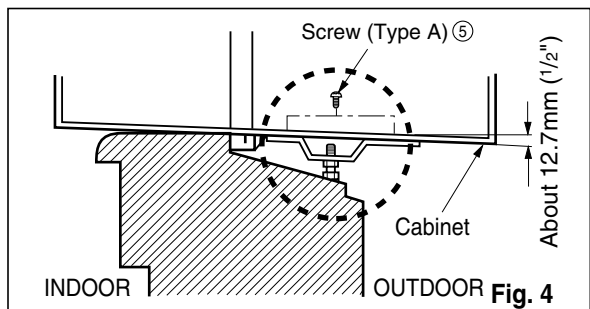
NOTE:

- Do not pull the window sash down so tightly that the movement of Frame Curtain is restricted.

3. Loosely assemble the sill support using the parts in Fig. 3.



4. Select the position that will place the sill support near the outer most point on sill (See Fig. 4)

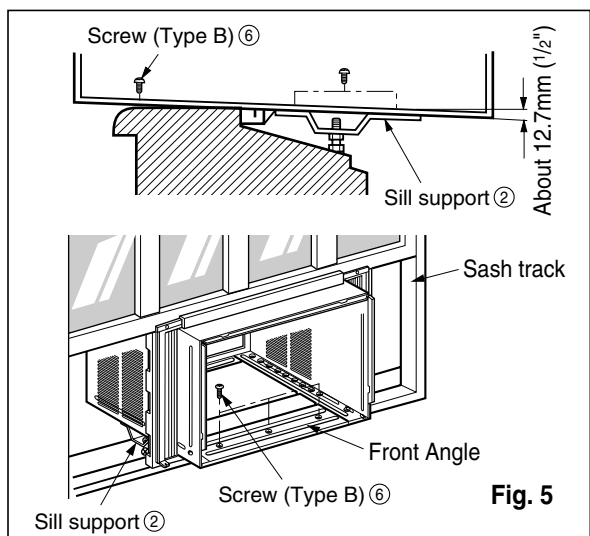


5. Attach the sill support to the cabinet track hole in relation to the selected position using 2 Type A screws in each support (See Fig. 4).

6. The cabinet should be installed with a very **slight tilt (about 12.7mm (1/2'')) downward** toward the outside (See Fig. 5).

Adjust the bolt and the nut of sill support for balancing the cabinet.

7. Attach the cabinet to the window sill by driving the screws 6 (Type B) through the front angle into window sill.



8. Pull each Frame curtain fully to each window sash track, and repeat step 2.

9. Attach each Frame curtain to the window sash using screws ⑦ (Type C). (See Fig. 6)

CAUTION: DO NOT DRILL A HOLE IN THE BOTTOM PAN.

The unit is designed to operate with approximately 12.7mm (1/2") of water in bottom pan.

10. Slide the unit into the cabinet. (See Fig. 7)

CAUTION: For security purposes, reinstall screws at cabinet's sides.

11. Cut the foam-strip ⑧ to the proper length and insert between the upper window sash and the lower window sash. (See Fig. 8)

12. Attach the window locking bracket ⑩ with a type C screw. (See Fig. 9)

13. Attach the front grille to the cabinet by inserting the tabs on the grille into the tabs on the front of the cabinet. Push the grille in until it snaps into place. (See Fig.10)

NOTE: Please refer p.6 for setting ventilation kit.

14. Lift the inlet grille and secure it with two type A screw through the front grille. (See Fig. 11)

15. **Window installation of room air conditioner is now completed. See ELECTRICAL DATA for attaching power cord to electrical outlet.**

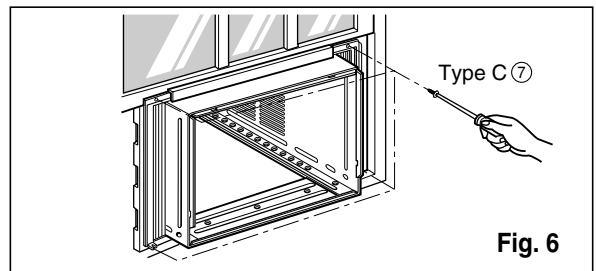


Fig. 6

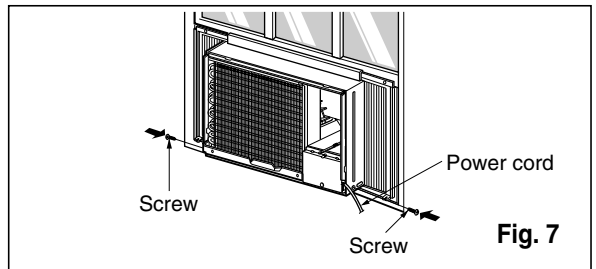


Fig. 7

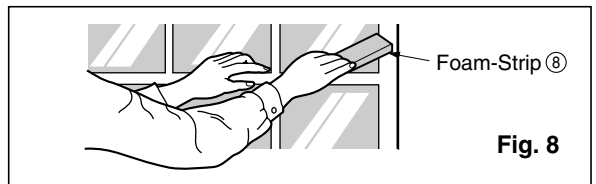


Fig. 8

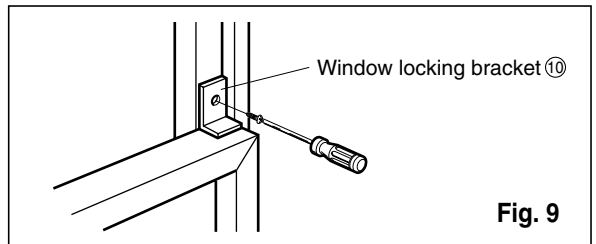


Fig. 9

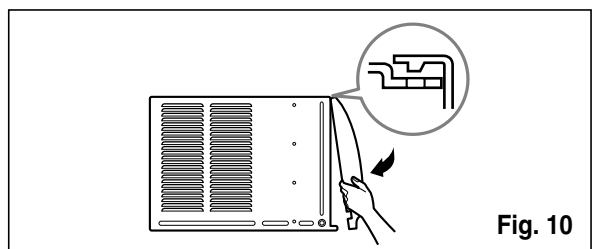


Fig. 10

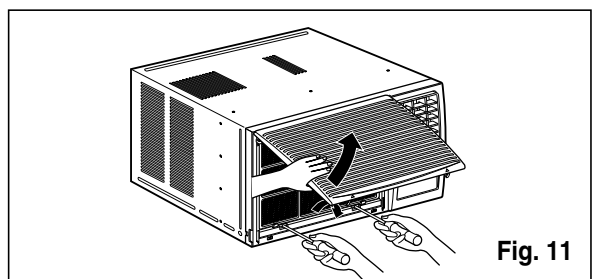
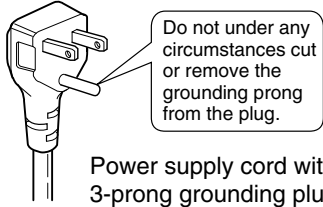



Fig. 11

Electrical Data

Line Cord Plug	Use Wall Receptacle	Power Supply
 <p>Do not under any circumstances cut or remove the grounding prong from the plug.</p> <p>Power supply cord with 3-prong grounding plug</p>	 <p>Standard 125V, 3-wire grounding receptacle rated 15A, 125V AC</p>	<p>Use 15 AMP, time delay fuse or circuit breaker.</p>

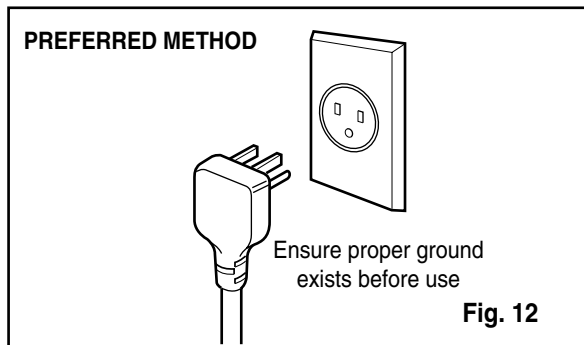
USE OF EXTENSION CORDS

Because of potential safety hazards, we strongly discourage the use of an extension cord. However, if you wish to use an extension cord, use a CSA certified/UL-listed 3-wire (grounding) extension cord, rated 15A, 125V.

IMPORTANT (PLEASE READ CAREFULLY)

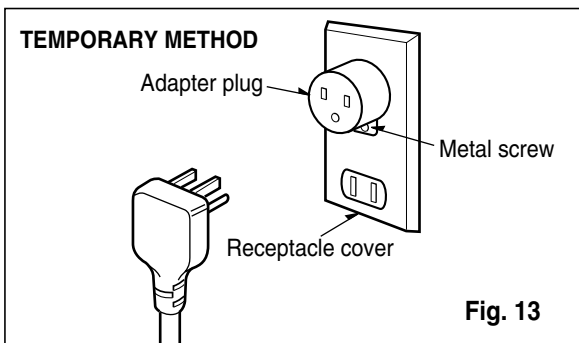
FOR THE USER'S PERSONAL SAFETY, THIS APPLIANCE MUST BE PROPERLY GROUNDED

The power cord of this appliance is equipped with a three-prong (grounding) plug. Use this with a standard three-slot (grounding) wall power outlet (Fig. 12) to minimize the hazard of electric shock. The customer should have the wall receptacle and circuit checked by a qualified electrician to make sure the receptacle is properly grounded.



DO NOT CUT OR REMOVE THE THIRD (GROUND) PRONG FROM THE POWER PLUG.

A. SITUATIONS WHERE THE APPLIANCE WILL BE DISCONNECTED ONLY OCCASIONALLY:



Because of potential safety hazards, we strongly discourage the use of an adapter plug. However, if you wish to use an adapter, a **TEMPORARY CONNECTION** may be made. Use UL-listed adapter, available from most local hardware stores (Fig. 13). The large slot in the adapter must be aligned with the large slot in the receptacle to assure a proper polarity connection.

CAUTION: Attaching the adapter ground terminal to the wall receptacle cover screw does not ground the appliance unless the cover screw is metal, and not insulated, and the wall receptacle is grounded through the house wiring.

The customer should have the circuit checked by a qualified electrician to make sure the receptacle is properly grounded.

Disconnect the power cord from the adapter, using one hand on each. Otherwise, the adapter ground terminal might break. **DO NOT USE** the appliance with a broken adapter plug.

B. SITUATIONS WHERE THE APPLIANCE WILL BE DISCONNECTED OFTEN.

Do not use an adapter plug in these situations. Unplugging the power cord frequently can lead to an eventual breakage of the ground terminal. The wall power outlet should be replaced by a three-slot (grounding) outlet instead.

USE OF EXTENSION CORDS

Because of potential safety hazards, we strongly discourage the use of an extension cord. However, if you wish to use an extension cord, use a CSA certified/UL-listed 3-wire (grounding) extension cord, rated 15A, 125V.

Before you call for service...

Troubleshooting Tips save time and money!
Review the chart below first and you may not need to call for service.

Normal Operation

- You may hear a pinging noise caused by water being picked up and thrown against the condenser on rainy days or when the humidity is high. This design feature helps remove moisture and improve efficiency.
- You may hear the relay click when the compressor cycles on and off.
- Water will collect in the base pan during high humidity or on rainy days. The water may overflow and drip from the outdoor side of the unit.
- The fan may run even when the compressor does not.

Abnormal Operation

Problem	Possible Causes	What To Do
Air conditioner does not start	■ <i>The air conditioner is unplugged.</i>	• Make sure the air conditioner plug is pushed completely into the outlet.
	■ <i>The fuse is blown/circuit breaker is tripped.</i>	• Check the house fuse/circuit breaker box and replace the fuse or reset the breaker.
	■ <i>Power failure.</i>	• When power is restored, wait 3 minutes to restart the air conditioner to prevent tripping of the compressor overload.
Air conditioner does not cool as it should	■ <i>Airflow is restricted.</i>	• Make sure there are no curtains, blinds, or furniture blocking the front of the air conditioner.
	■ <i>TEMP Control set to a higher number.</i>	• Set the TEMP Control to a lower number.
	■ <i>The air filter is dirty.</i>	• Clean the filter at least every 2 weeks. See the operating instructions section.
	■ <i>The room may have been hot.</i>	• When the air conditioner is first turned on you need to allow time for the room to cool down.
	■ <i>Cold air is escaping.</i>	• Check for open furnace floor registers and cold air returns. • Set the air conditioner's vent to the closed position.
Air conditioner freezing up	■ <i>Cooling coils have iced up.</i>	• See Air Conditioner Freezing Up below.
	■ <i>Ice blocks the air flow and stops the air conditioner from cooling the room.</i>	• Set the mode control to High Fan or High Cool with the high temperature.

Precauciones Importantes de Seguridad

Precauciones Importantes de seguridad17

Instrucciones de Funcionamiento

Controles19
Ventilación20
Como controlar la dirección del aire20
Como instalar el Tubo de Desagüe20

Cuidado y Mantenimiento

Limpieza de filtro de aire...21

Características

Características22

Instrucciones de instalación

Elija el mejor lugar23
Requisitos de ventana23
Contenido del juego de instalación24
Requisitos de las herramientas sugeridas24
Instalación del Gabinete25
Datos Eléctricos27
Información Eléctrica28

Antes de avisar al Servicio Técnico

Operación normal29
Operación anormal29



PARA SU INFORMACION

Escriba aquí los números de serie y modelo de las unidades exterior e interior:

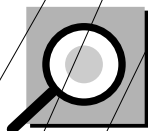
Nº de Modelo

Nº Serie

Los números figuran en una etiqueta en el lateral de cada unidad.

Distribuidor

Fecha de compra



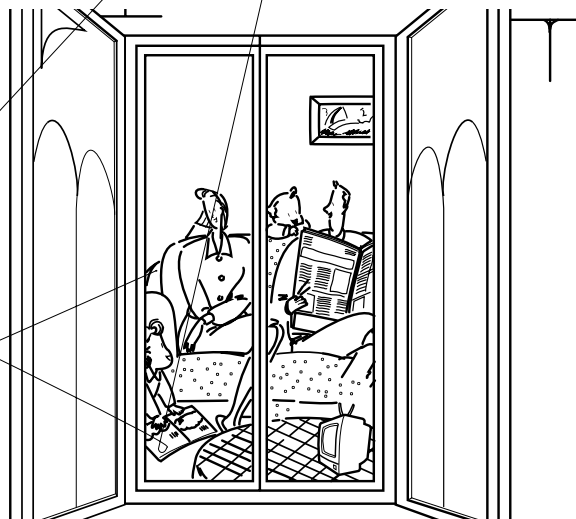
LEA ESTE MANUAL

- Aquí encontrará numerosas sugerencias sobre cómo utilizar y mantener adecuadamente su acondicionador de aire. Con unos cuantos cuidados preventivos se puede ahorrar mucho tiempo y dinero a lo largo de la vida útil de su acondicionador de aire.
- En la tabla de sugerencias para la resolución de problemas encontrará respuestas a la mayoría de los problemas más comunes. Si consulta primero la tabla de **Sugerencias para la resolución de problemas**, quizá ni siquiera necesite avisar al servicio técnico.



PRECAUCION

- Consulte con el servicio técnico autorizado sobre la reparación o el mantenimiento de esta unidad.
- El acondicionador de aire no debe ser utilizado por niños pequeños o personas inestables sin supervisión.
- Es preciso vigilar a los niños pequeños para asegurarse de que no juegan con el acondicionador de aire.



Precauciones Importantes de Seguridad

Para prevenir tanto lesiones al usuario u otras personas como daños materiales, es preciso seguir estas instrucciones.

- El manejo incorrecto debido a la inobservancia de estas instrucciones puede causar lesiones o daños cuya gravedad está clasificada en las siguientes indicaciones.

	ADVERTENCIA	Este símbolo indica la posibilidad de lesiones mortales o graves.
	PRECAUCION	Este símbolo indica la posibilidad de lesiones o daños materiales.

- El significado de los símbolos utilizados en este manual se indica a continuación.

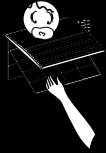
	Asegúrese de no hacerlo.
 	Asegúrese de seguir las instrucciones.

ADVERTENCIA

Conecte correctamente el enchufe	No opere o pare la unidad insertando o tirando del enchufe	No dañe o utilice un cable eléctrico inadecuado
<ul style="list-style-type: none"> • De otra forma, ello ocasionaría una descarga eléctrica o incendio a causa de la generación de calor. 	<ul style="list-style-type: none"> • Ello ocasionaría una descarga eléctrica o incendio a causa de la generación de calor. 	<ul style="list-style-type: none"> • Ello ocasionaría una descarga eléctrica o incendio.
No modifique el largo del cable eléctrico, y tampoco comparta el tomacorriente con otros aparatos	No lo maneje con las manos húmedas	No exponga durante mucho tiempo la piel al aire frío procedente directamente del acondicionador.
<ul style="list-style-type: none"> • Ello ocasionaría una descarga eléctrica o incendio a causa de la generación de calor. 	<ul style="list-style-type: none"> • Puede ocasionar una descarga eléctrica. 	<ul style="list-style-type: none"> • Esto podría dañar su salud.

 **PRECAUCION**

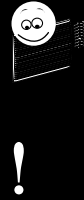
Cuando se vaya a quitar el filtro de aire no toque las partes metálicas de la unidad interior.



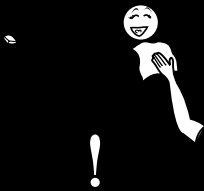
No limpie el acondicionador de aire con agua.



Ventile bien cuando utilice el acondicionador junto con una estufa, etc.



Cuando limpie la unidad, desconecte la alimentación y desconecte también el disyuntor.



NO ponga un animal doméstico ni una planta donde quede directamente expuesto al flujo de aire.



No lo utilice para propósitos especiales.

No manipule los interruptores con las manos mojadas.



No aplique aerosoles con insecticida o productos inflamables.



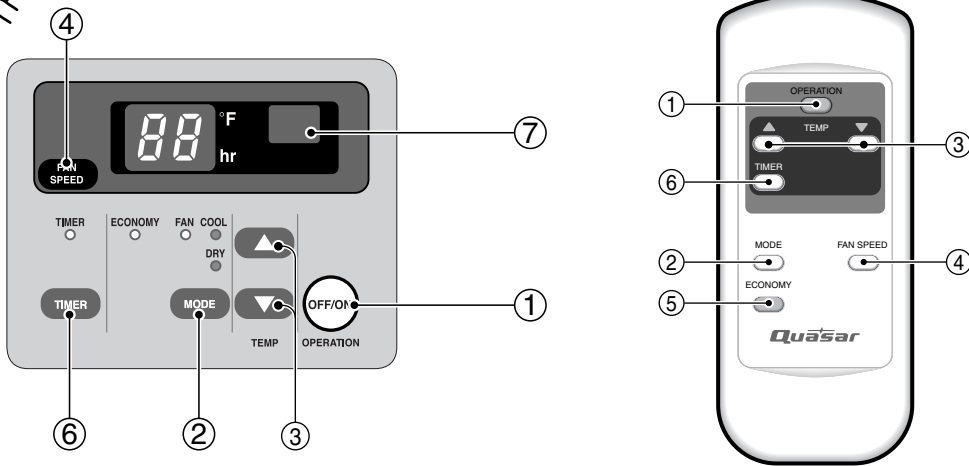
No ponga una estufa, etc. donde quede expuesta al flujo de aire directo.



Esto con

Instrucciones de Funcionamiento

Controles



Precaución: El dispositivo de control remoto no funcionará adecuadamente si la ventana sensora del acondicionador de aire es expuesta a luz fuerte, o si hay obstáculos entre el dispositivo de control remoto y el acondicionador de aire.

1 ENENCENDIDO/APAGADO

- Para ENCENDER el sistema presione el botón, y para APAGARLO presione el botón otra vez.
- Este botón tiene prioridad sobre todos los otros botones.
- Cuando Ud. lo enciende por primera vez, el sistema está en el y la temperatura es de 72°F (22°C).

2 FRÍO/VENTILADOR

- Cada vez que presione este botón, las palabras COOL, ECONOMY, FAN y DRY aparecerán aternadamente..

3 AJUSTE DE LA TEMPERATURA

- Este botón puede controlar la temperatura del cuarto automáticamente. La temperatura se puede ajustar de grado en grado, desde 60°F hasta 86°F cada 1°F (16°C hasta 30°C cada 1°C). Seleccione el número más bajo para la temperatura más baja en el cuarto.

4 VELOCIDAD DEL VENTILADOR

- Cada vez que presione este botón, el ajuste es como sigue. {Alto(F3) → Bajo(F1) → Medio(F2) → Alto(F3)...}

5 AHORRADOR DE ENERGÍA

- El ventilador se detiene cuando el compresor no sigue enfriando.
- Aproximadamente cada 3 minutos el ventilador se encenderá, y necesitará verificar la temperatura del cuarto para saber si es necesario más enfriamiento.

6 MARCADOR DE ENCENDIDO/APAGADO

- OPERACIÓN DE PARADA:

- Cada vez que presione este botón, cuando el sistema esté operando, el marcador de tiempo se ajustará de la siguiente manera: (1Hora → 2 Horas → 3 Horas → 4 Horas → 5 Horas → 6 Horas → 7 Horas → 8 Horas → 9 Horas → 10 Horas → 11 Horas → 12 Horas → 0 Hora).
- La temperatura de ajuste se elevará 2°F(1°C), 30 minutos después, y otros 2°F(1°C) media hora después.

- OPERACIÓN DE INICIACIÓN:

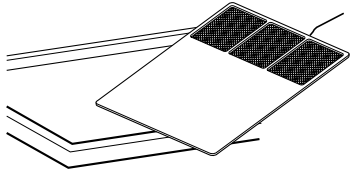
- Cada vez que presione este botón, cuando el sistema esté operando, el marcador de tiempo se ajustará de la siguiente manera: (1Hora → 2 Horas → 3 Horas → 4 Horas → 5 Horas → 6 Horas → 7 Horas → 8 Horas → 9 Horas → 10 Horas → 11 Horas → 12 Horas → 0 Hora).

7 RECEPTOR DE SEÑAL

8 DRY

Cuando esta unidad se torna al modo seco, el ventilador gira en velocidad lenta. El ventilador se detiene cuando el compresor se para de enfriar. Aproximadamente cada 3 minutos se encenderá el ventilador y la unidad comprueba la temperatura del aire de la habitación para ajustarse a si mismo.





Características

Aprender el nombre de las partes antes de la instalación le ayudará a entender el proceso de instalación.

Características



GABINETE
REJILLA FRONTAL
FILTRO DE AIRE

EVAPORADOR
PANEL DE CONTROL



DEFLECTOR DE AIRE HORIZONTAL
(VENTANILLAS HORIZONTALES)

DEFLECTOR HORIZONTAL DE AIRE
(VENTANILLAS VERTICALES)

SALIDA DE AIRE

CONTROL REMOTO

RECOLECTOR DE AIRE
(BANDEJA DE ENTRADA)

SUSPENSORES

COMPRESOR

CONDENSADOR

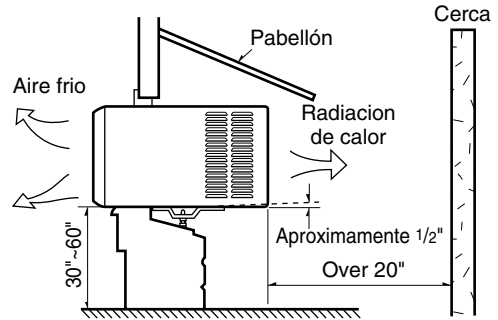
BANDEJA

CABLE DE CONEXIÓN ELÉCTRICA

Instrucciones de Instalación

Elija el mejor lugar

1. Para prevenir la vibración y el ruido, asegure de que la unidad esté instalada segura y firmemente.
2. Instale la unidad donde el sol no refleje directamente en la unidad.
3. La salida debe extenderse hacia afuera por lo menos 11" y no debe haber obstáculos, como cercas o paredes, en 20" de la parte de atrás del gabinete porque va a prevenir la radiación de calor del condensador. Restricciones del aire de afuera reducirá grandemente la eficiencia del aire acondicionado.



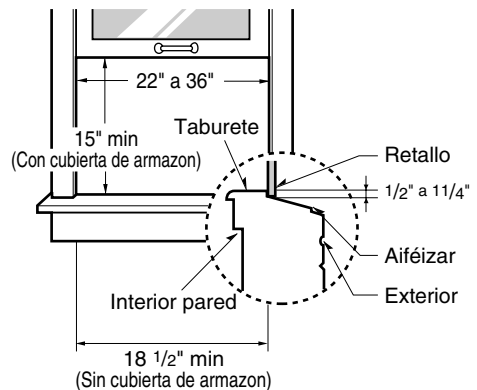
CUIDADO: Todas las ventanillas de los lados del gabinete deben mantenerse expuestas hacia afuera de la estructura.

4. Instale la unidad un poco inclinada de tal forma que la parte trasera esté ligeramente más baja que el frente (cerca de $1/2$ "). Esto forzará el agua del condensador hacia afuera.
5. Instale la unidad con la parte inferior cerca de 30"~60" arriba nivel de suelo.

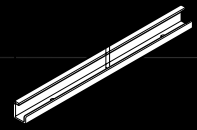
Requistios de ventana

Esta unidad está diseñada para que sea instalada en ventanas dobles estándares con una abertura actual de ancho desde 22" a 36".

La parte superior e inferior de la ventana debe abrir lo suficiente para permitir una abertura vertical libre de 15" desde la parte inferior de la ventana hasta la base de la misma.



o del Juego de Instalación

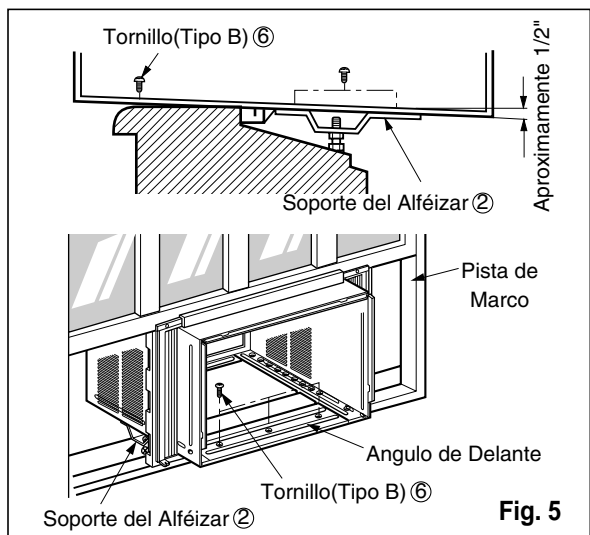
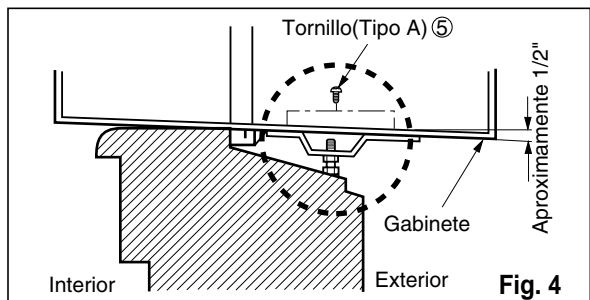
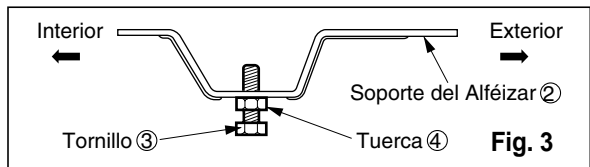
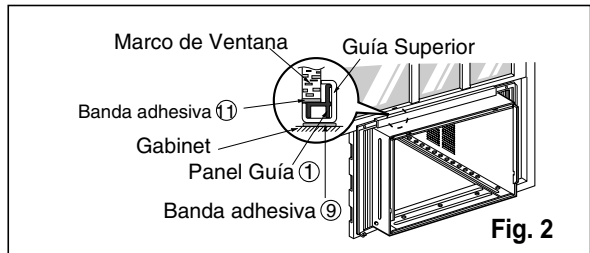
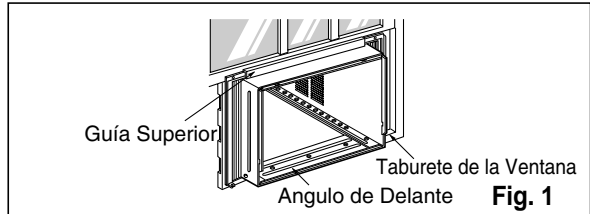


Instalación del Gabinete

1. Abra la ventana. Marque una línea en el centro del banqueta de la ventana (o la ubicación deseada del aire acondicionado). Cuidadosamente ubique el gabinete en la banqueta de la ventana y alinee la marca central en el frente inferior con el centro de la línea marcada en la banqueta de la ventana.
2. Hale hacia abajo la parte inferior de la ventana hasta que se una detrás de la guía superior.

NOTA:

- No hale la ventana hacia abajo tan apretadamente que el movimiento del panel guía sea restringido.
3. Ligeramente ensamble el soporte del alféizar usando las partes de la fig. 3.
 4. Seleccione la posición que ubicará el soporte del alféizar cerca del punto más exterior del alféizar. (Ver Fig. 4)
 5. Pegue el soporte antepecho a los rieles de la caja en relación a la posición deseada usando dos tornillos Tipo A en cada soporte. (Ver Fig. 4)
 6. El gabinete debe ser instalado con una **pequeña caída (cerca de 12.7mm (1/2")) hacia abajo** hacia afuera (Ver Fig. 5).
 7. Adjunte el gabinete al banquete de la ventana atornillando los tornillos ⑥ (Tipo B: Largo dieciséis milímetros y menos.) a través del ángulo frontal en la banqueta de la ventana.
 8. Hale cada panel guía completamente a cada lado de la ventana y repita del paso 2.



9. Adjunte cada panel guía a cada lado de la ventana usando tornillos ⑦ (Tipo C).
(Ver Fig. 6)

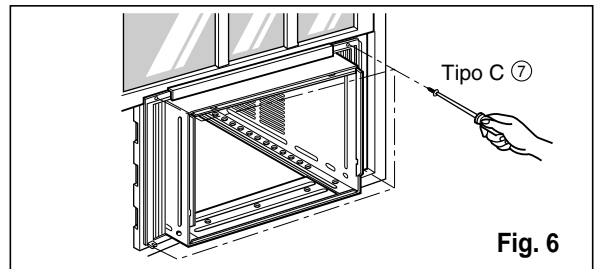


Fig. 6

PRECAUCION: No perforo la charola del fondo. La unidad está diseñada para operar con aproximadamente 1/2" de agua en la charola del fondo.

10. Deslice el chasis dentro del gabinete.
(Ver Fig. 7)

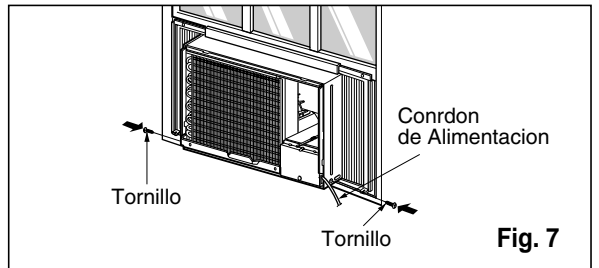


Fig. 7

CUIDADO: Por razones de seguridad, re instale los tornillos en los lados del gabinete.

11. Corte la tira de goma ⑧ a la medida apropiada e introdúzcala entre la parte superior e inferior de la ventana.
(Ver Fig. 8)

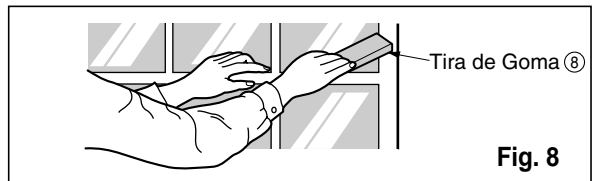


Fig. 8

12. Sujete la chapade soporte en el marco de la ventana ⑩ con untornillo tipo C.
(Ver Fig. 9)

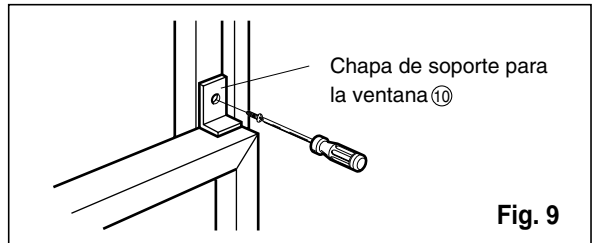


Fig. 9

13. Pegue el panel frontal a la caja insertando los fijadores en el panel adentro los del panel de la caja. (Ver Fig. 10)

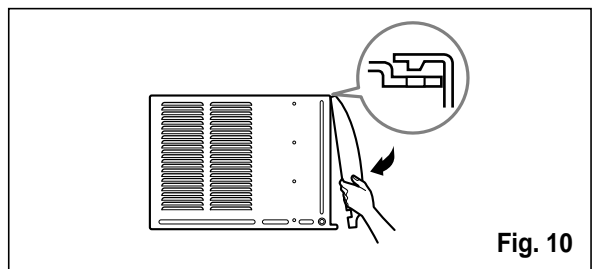


Fig. 10

NOTA: Se refiere por favor p.20 para poner juego de ventilación.

14. Levante la parrilla de entrada y ajústela con tornillos Tipo A, através de la parrilla frontal. (Ver Fig. 11)

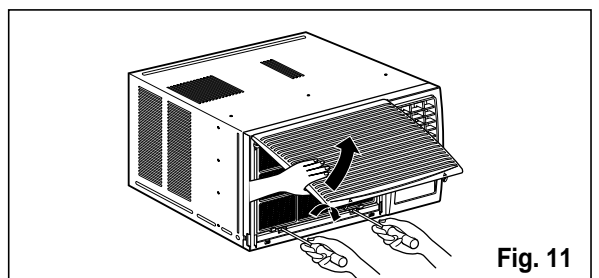
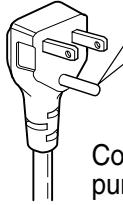



Fig. 11

15. **Ahora la instalación del aire acondicionado en la ventana es completada. Vea los DATOS ELECTRICOS para instalar el cable de alimentación en la toma de corriente.**

Datos Electricos

Cord n El ctrico	Utilice el enchufe de la pared	Consumo de Energia
 <p>No lo corte bajo ninguna circunstancia o remueva la punta del enchufe.</p> <p>Cord n el ctrico con puntas para enchufar</p>	 <p>Standard 125V, enchufe de 3 L neas de 15A, 125V AC</p>	<p>Utilice un fusible de 15AMP o un Interruptor</p>

USO DE CORDONES DE EXTENSION

Debido al potencial de peligro a su seguridad bajo ciertas circunstancias recomendamos encarecidamente no utilizar cordones de extensión. Sin embargo, si usted decide usar un cordón de extensión, es absolutamente necesario que este sea un cordón listado bajo UL de tres espigas con conexión a tierra calificado 15A, 125V.

IMPORTANTE (FAVORLEA CON ATENCIÓN)

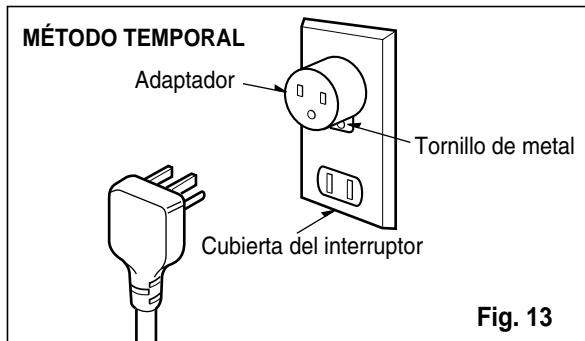
POR LA SEGURIDAD PERSONAL DEL USUARIO, ESTE APARATO DEBE SER DEBIDAMENTE NEUTRALIZADO.

El cordón de energía de éste aparato está equipado con tres patas (cable a tierra). Utilice éste con un enchufe de pared de tres salidas (a tierra) (Fig. 12) para minimizar el peligro de choque eléctrico. El cliente debe revisar el receptor de pared y el circuito por un electricista calificado para asegurarse que la recepción está debidamente neutralizada.



NO CORTE O REMUEVA LA TERCERA PATA (GROUND) DEL ENCHUFE.

A. SITUACIONES EN LAS CUALES EL APARATO ES DESCONECTADO OCASIONALMENTE:



Debido al peligro potencial, nosotros no recomendamos el uso de adaptadores. Sin embargo, si usted desea utilizar un adaptador, una CONEXIÓN TEMPORAL, puede ser efectuada. Utilice adaptadores UL, disponibles en la mayoría de los establecimientos de herramientas (Fig. 13). La pata más grande del adaptador debe ser alineada con la pata más grande del interruptor para asegurarse una polarización adecuada.

CUIDADO: Adaptar la terminal del ground del adaptador a la cubierta de la pared con un tornillo no neutraliza el aparato a menos que la cubierta del tornillo sea de metal, u no sea insolada, y el receptor de pared este neutralizado a través del alambreado de la casa. El cliente debe hacer verificar el circuito por un electricista calificado para asegurarse que el receptor está debidamente neutralizado.

Desconecte el cordón de energía del adaptador, utilizado una mano en cada uno. De lo contrario, la terminal del adaptador puede romperse. NO UTILICE el aparato con un enchufe roto.

B. SITUACIONES EN LAS CUALES EL APARATO ES DESCONECTADO CON FRECUENCIA.

No utilice un adaptador en estas circunstancias. Desconectar el cordón de energía con frecuencia lo llevará al eventual rompimiento de la terminal de neutralización. La salud de energía de la pared debe ser reemplazada por una salida de tres patas (neutralizada).

USO DE EXTENSIONES

Debido al peligro potencial, no recomendamos la utilización de extensiones. Sin embargo, si usted desea utilizar una extensión, utilice una certificada por CSA/UL de tres alambres, catalogada 15A, 125V.

Antes de avisar al Servicio Técnico

*Tips para solucionar problemas
(Ahorre tiempo y dinero) Cuando tenga algún problema primero consulte el cuadro que se encuentra abajo y tal vez no necesite llamar para solicitar servicio técnico.*

Operación normal

- Durar te días lluviosos o cuando la humedad es alta usted puede escuchar un ruido metálico causado por agua recogida y arrojada contra el condensador. Esta característica ayuda a remover la humedad y mejorar la eficiencia.
- Usted puede escuchar que el relevo hace un click cuando se enciende o apaga el ciclo del compresor.
- Durar te días lluviosos o cuando la humedad es alta el agua será recolectada en la base del aparato. Esta agua podrá fluir y será eliminada por el lado externo de la unidad.
- El ventilador podrá correr aún cuando el compresor no esté encendido.

Operación anormal

Problema	Causas posibles	Que hacer
El aire acondicionado no enciende	<ul style="list-style-type: none"> ■ El aire acondicionado está desconectado. ■ El fusible está quemado/el interruptor de energía se ha bloqueado. ■ Falta de energía. 	<ul style="list-style-type: none"> • Asegúrese que el aire acondicionado está conectado completamente a la fuente de energía. • Cheque los fusibles/interruptor de la casa y reemplace los fusibles o reestablezca el interruptor de energía. • Cuando la energía se reestablezca, espere 3 minutos para encender de nuevo el aire acondicionado. Con esto evitará que se produzca una sobrecarga en el compresor.
El aire acondicionado no enfría como debiera	<ul style="list-style-type: none"> ■ El flujo de aire está restringido. ■ Coloque el control de TEMPERATURA en un número más alto. ■ El filtro de aire está sucio. ■ El cuarto aún está caliente. ■ El aire frío se está escapando. ■ El serpentín de refrigeración se ha congelado. 	<ul style="list-style-type: none"> • Asegúrese que no haya cortinas, persianas o muebles bloqueando el frente del aire acondicionado. • Gire el control de TEMPERATURA a un número más bajo. • Limpie el filtro por lo menos cada dos semanas. Vea la sección de instrucciones de operación. • Cuando usted enciende el aire acondicionado debe esperar un momento para que la habitación se enfríe. • Asegúrese que todas las salidas de aire estén cerradas para que el aire regrese. • Coloque la ventana del aire acondicionado en la posición más cercana. • Establezca una temperatura más alta.
El aire acondicionado enfría demasiado	<ul style="list-style-type: none"> ■ El hielo bloquea el flujo de aire y detiene el enfriamiento del cuarto. 	<ul style="list-style-type: none"> • Ajustar el control de modo en 'Ventilación Alta' o 'Erfriamiento Alto' con la temperatura alta.

PRODUCT SPECIFICATION ESPECIFICACIONES DEL PRODUCTO

Model Modèle Modelo		HQ-2082UH
COOLING CAPACITY CAPACITÉ DE REFROIDISSEMENT CAPACIDAD DE ENFRIAMIENTO	Btu/h	8,000
ELECTRICAL RATING CARACTÉRISTIQUES ÉLECTRIQUES CLASIFICACION DE LA ELECTRICIDAD	Phase Phase Fase Frequency (Hz) Fréquence Frecuencia Voltage (V) Tension Voltaja Current (Amps) Courant (A) Corriente (Amps) Input (W) Consommation Potencia	Single Simple Monofasico 60 115 7.6 820
EER RENDEMENT ÉNERGÉTIQUE EER		9.8
MOISTURE REMOVAL SUPPRESSION D'HUMIDITÉ DESHUMIDIFICACION	(Pints/h) (pinte/h) (Tinta/h)	2.3
ROOM CIRCULATION CIRCULATION D'AIR CIRCULACION DE AIRE	(Cf/min) (pi/min) (pie/min)	210
DIMENSIONS DIMENSIONS DIMENSIONES	Height Hauteur Alto Width Largeur Ancho Depth Profondeur Profundidad	cm (inches) cm (pouces) cm (pulgadas) cm (inches) cm (pouces) cm (pulgadas) cm (inches) cm (pouces) cm (pulgadas)
NET WEIGHT POIDS NET PESO NETO	kg (lb) kg (livres) kb (libras)	29 (64)
GROSS WEIGHT POIDS BRUT PESO BRUTO	kg (lb) kg (livres) kb (libras)	32 (70)

- * Specifications are subject to change without notice for improvement.
- * Les spécifications ci-dessus peuvent être changées sans préavis.
- * Las especificaciones están sujetas a cambios por mejoras sin previo aviso.

Nota

A series of horizontal dotted lines for writing notes.

**Panasonic Consumer Electronics Company,
Division of Matsushita Electric Corporation
of America**
One Panasonic Way
Secaucus, New Jersey 07094

**Panasonic Sales Company,
Division of Matsushita Electric of Puerto Rico, Inc.,**
Ave. 65 de Infanteria, Km. 9.5
San Gabriel Industrial Park
Carolina, Puerto Rico 00985

Panasonic Room Air Conditioner Limited Warranty

Panasonic Consumer Electronics Company or Panasonic Sales Company (collectively referred to as "the Warrantor") will repair this product with new or refurbished parts in case of defects in material or workmanship, free of charge, in the USA or Puerto Rico in accordance to the following (All time periods start from the date of the original purchase).

SEALED REFRIGERATING SYSTEM (compressor and interconnecting tube): FIVE (5) YEARS - PARTS AND LABOR

ALL OTHER COMPONENTS: ONE (1) YEAR - PARTS AND LABOR

In-home service in the USA can be obtained during the warranty period by contacting a Panasonic Service Company (PASC) Factory Servicenter listed in the Servicenter Directory. Or call toll free, 1-800-211-PANA(7262), to locate a PASC authorized Servicenter. In-home service in Puerto Rico can be obtained during the warranty period by calling the Panasonic Sales Company telephone number listed in the Servicenter Directory.

Note: If the unit is installed at the other than normal window height and/or has been custom-installed (e.g., through the wall), the customer is responsible for removing the unit from its installation prior to the performance of in-home service.

This warranty is extended only to the original purchaser. A purchase receipt or other proof of date of the original purchase is required for service and parts replacement under this warranty.

This warranty only covers failures due to defects in materials and workmanship and does not cover normal wear or cosmetic damage. The warranty does not cover damages which occur in shipment, or failures which are caused by products not supplied by the warrantor, or failures which result from accident, misuse, abuse, neglect, mishandling, misapplication, faulty installation, maladjustment of customer controls, improper maintenance, alteration, modification, power line surge, lightning damage, improper voltage supply, commercial use such as hotel, office, restaurant, or other business or rental use of the product, or service by anyone other than a PASC Factory Servicenter or a PASC authorized Servicenter, or damage that is attributable to acts of God.

LIMITS AND EXCLUSIONS

There are no express warranties except as listed above.

THE WARRANTOR SHALL NOT BE LIABLE FOR INCIDENTAL OR CONSEQUENTIAL DAMAGES RESULTING FROM THE USE OF THIS PRODUCT, OR ARISING OUT OF ANY BREACH OF THIS WARRANTY ALL EXPRESS AND IMPLIED WARRANTIES, INCLUDING THE WARRANTIES OF MERCHANTABILITY, ARE LIMITED TO THE APPLICABLE WARRANTY PERIOD SET FORTH ABOVE.

Some states do not allow the exclusion or limitation of incidental or consequential damages or limitations on how long an implied warranty lasts, so the above exclusions or limitations may not apply to you.

This warranty gives you specific legal rights and you may also have other rights which vary from state to state. If a problem with this product develops during or after the warranty period, you may contact your dealer or Servicenter. If the problem is not handled to your satisfaction, then write to the Consumer Affairs Department at the company address indicated above.

SERVICE CALLS WHICH DO NOT INVOLVE DEFECTIVE MATERIALS OR WORKMANSHIP AS DETERMINED BY THE WARRANTOR, IN ITS SOLE DISCRETION, ARE NOT COVERED. COSTS OF SUCH SERVICE CALLS ARE THE RESPONSIBILITY OF THE PURCHASER.

[For assistance, please call: 1-800-211-PANA (7262) or send e-mail to consumerproducts@panasonic.com]

Printed in Korea

Free Manuals Download Website

<http://myh66.com>

<http://usermanuals.us>

<http://www.somanuals.com>

<http://www.4manuals.cc>

<http://www.manual-lib.com>

<http://www.404manual.com>

<http://www.luxmanual.com>

<http://aubethermostatmanual.com>

Golf course search by state

<http://golfingnear.com>

Email search by domain

<http://emailbydomain.com>

Auto manuals search

<http://auto.somanuals.com>

TV manuals search

<http://tv.somanuals.com>