

***Dual-Port Multi-Interface
(RS-232/422/485)
Ethernet Serial Device Server
Model DSE-410D
Documentation Number: 940-0186-100***



World Headquarters

Quatech, Inc.

5675 Hudson Industrial Parkway

Hudson, OH 44236

Telephone (330) 655-9000 - Fax (330) 655-9010

Home Page: <http://www.Quatech.com/>

Sales e-Mail: sales@Quatech.com - Fax (330) 655-9070

Technical Support: <http://www.Quatech.com/support/support.php>

Quatech, Inc. – August 2003

Copyright	Copyright © 2003, Quatech, Inc. All rights are reserved. The information contained in this document cannot be reproduced in any form without the written consent of Quatech, Inc. Any software programs that might accompany this document can be used only in accordance with any license agreement(s) between the purchaser and Quatech, Inc. Quatech, Inc. reserves the right to change this documentation or the product to which it refers at any time and without notice.
Trademarks	QUATECH® is a registered trademark of Quatech, Inc. Other product and brand names listed in this manual may be trademarks of their respective owners.
Disclaimer	<p>The information in this manual is believed to be accurate and reliable at the time of posting. Notwithstanding the foregoing, Quatech assumes no responsibility for any damage or loss resulting from the use of this manual, and expressly disclaims any liability or damages for loss of data, loss of use, and property damage of any kind, direct, incidental or consequential, in regard to or arising out of the performance or form of the materials presented herein or in any software program(s) that may accompany this document.</p> <p>Changes or modifications to this device not explicitly approved by Quatech will void the user's authority to operate this device.</p>
Feedback	Quatech, Inc. encourages and appreciates feedback concerning this document. Please send any written comments to the Technical Support department at the address listed on the title page of this manual.

Table of Contents

1	<i>Introduction</i>	1
	Features	1
	Communication Modes	2
	Direct IP Mode.....	2
	Virtual COM Mode.....	2
	Heart Beat Feature	3
	Quick Start	3
	Default DSE-410D Settings	4
	Specifications	5
	Protocols	5
	Indicators	5
	Connectors	5
	Serial Signals	5
	Power & Environment	5
	Dimensions	6
	Hardware and Included Accessories	6
	Optional Accessories	6
	Configuration Options	6
2	<i>Hardware</i>	7
	Ethernet Connection	7
	Power Connection	8
	Reset Button	8
	Mode Switches – DSE-410D Server Port 1	8
	RS-485 Mode	9
	Selecting Internal RS-485 Bias Resistors	9
	RS-422 Mode	9
	RS-232 Mode	9
	Default Setting	9
	Upgrade Mode	10
	Console Mode	10
	Serial Connections	10
	RS-232 Connections	11
	RS-422 Connections	12
	RS-485 Connections	13

3	<i>Install Quatech DSE-410D Software.....</i>	15
4	<i>Using DSE-410D Manager.....</i>	19
	Searching LAN for DSE-410D	19
	Firmware Upgrade	20
	Virtual COM Configuration.....	20
	Searching Server	20
	Uninstall Virtual COM	20
	Server Name	20
	IP Address.....	20
	Protocol.....	21
	COM Name.....	21
	Status.....	21
5	<i>Server Properties Configuration.....</i>	23
	Server Name.....	24
	Password	24
	DHCP.....	24
	IP Address, Netmask, and Gateway Properties.....	24
	IP Address.....	24
	Net Mask.....	25
	Gateway	25
	MAC Address	25
	Link Status (Shown in Telnet or Console mode only).....	25
	Server Serial Port (Select 1 or 2).....	25
	Baud Rate (Set for each port).....	25
	Data/Parity/Stop (Set for each port).....	25
	Flow Control (Set for each port)	26
	Connection Mode (Set for each port).....	26
	TCP/UDP Protocol (Set for each port)	26
	TCP/UDP Port (Set for each port)	26
	Remote IP Address (Set for each port).....	26
	Update	27

6	<i>Installing Virtual Com Port</i>	29
	Use Device Manager to View New Ports	32
7	<i>Removing a Virtual Com Port</i>	35
	Removing the Virtual COM port with the DSE-410D Management software	35
	Removing the Virtual COM Port using Device Manager	36
8	<i>Upgrade Mode</i>	39
	Using Virtual COM or Serial Connections	39
9	<i>Chapter 9: Console Mode Setup</i>	43
10	<i>Appendix A: RS-232, RS-422 Loopback Connections</i>	A-1
11	<i>Appendix B: RS-232 Connections</i>	B-1
12	<i>Appendix C: RS-422 Connections</i>	C-1
13	<i>Appendix D: RS-485 Connections</i>	D-1
14	<i>Appendix E: Warranty</i>	E-1

1 Introduction

The Quatech DSE-410D Dual-Port Ethernet Serial device server provides Ethernet to Serial connections for RS-232, RS-422, or RS-485 devices. The serial ports can be accessed over a LAN/WAN using “Direct IP Mode”, “Virtual COM Port”, or “Paired Mode” connection. The 10/100 Mbps Ethernet connection auto-selects 10 BaseT or 100 BaseTX and indicates the type of connection with a bi-color link light.

Features

- Dual Serial Ports –One Multi-Interface Selectable (RS-232, RS-422, or RS-485), and One RS-232
- 10/100 Mbps Ethernet with Auto Selection
- LAN and WAN Communications
- Configurable as TCP or UDP Client or Server
- Device Driver Support – Windows 98/ME/NT/2000/XP
- Includes Quatech DSE-410D Manager Software for Windows
- Includes Virtual COM Driver Software for Windows
- Selectable Heart Beat Connection
- Firmware Download for Future Revisions/Upgrades

The Heart Beat Connection ensures reliable communications in Virtual COM port mode or with paired connections. This feature restores the connections if communications are temporarily lost at either end due to loss of power or the Ethernet connection.

The Quatech DSE-410D Manager Software provides easy configuration of Ethernet and Serial port settings. For configuration, the DSE-410D can be attached to your network using a standard Cat 5 Ethernet cable, or to the Ethernet port of your computer using a crossover cable. If a network connection is not available, the DSE-410D can be configured in Console Mode from an RS-232 port, using a VT100 Terminal Emulation program and an RS-232 crossover cable. HyperTerminal is included with Windows and is recommended.

The DSE-410D Virtual COM Driver installs a virtual COM port which is viewable in the Windows Device Manager under “Ports” (COM & LPT). This virtual COM port provides access to one of the ports on the DSE-410D the same as any other serial port (legacy, PCI, USB, or PCMCIA) on the computer. Any program running on the computer and using Windows-based COM ports can access the serial devices attached to the DSE-410D. The LAN becomes transparent to the serial device and the software running on the PC.

Communication Modes

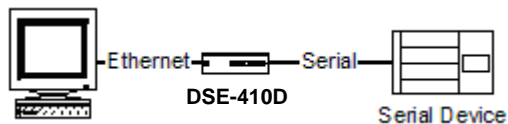
The DSE-410D enables communication with serial devices over a LAN or WAN. Serial devices are no longer limited to a physical connection to the PC COM port. They can be installed anywhere on the LAN using TCP/IP or UDP/IP communications. This will allow traditional Windows PC software access to serial devices anywhere on the LAN/WAN network.

Direct IP Mode

Direct IP connections allow applications using TCP/IP or UDP/IP socket programs to communicate with the asynchronous serial ports on the DSE-410D. In this type of application the DSE-410D is configured as a TCP or UDP server. The socket program running on the PC establishes a communication connection with the DSE-410D. The data is sent directly to and from the serial port on the server.

Virtual COM Mode

Use Install Virtual COM to add a driver that provides a Virtual COM port on the computer. The new COM port shows up in the Device Manager. Windows programs using standard Windows API calls are able to interface such Virtual ports. When a program on the PC opens the new COM port, it connects to the remote serial device connected to one of the ports on the DSE-410D.



After connection, the LAN is transparent to the program and serial device. Applications are able to work just as if the serial device is connected directly to a physical COM port on the computer. The Virtual COM port software converts the application's data into an IP packet, sends it across the network to the DSE-410D, which converts the IP packet back to serial data and sends the data out the serial port.

To use this mode, the DSE-410D must be set to either TCP/server or UDP/server in the menu with a designated communication port number. The virtual COM driver is the TCP or UDP client.

Heart Beat Connection

The Heart Beat Connection provides an extra measure of reliable communications assurance in Virtual COM Port Mode or Paired (Tunneling) Mode. This feature restores the TCP connection if communication is temporarily lost at either end due to loss of power or Ethernet connection.

Without this feature, a device that loses a connection and stops communicating would not be able to reconnect without human attention to correct the problem. A TCP data connection can be lost when there is a power failure or temporary loss of an Ethernet connection on either the client or server.

If a loss occurs, the Heart Beat feature will try to reconnect the TCP data connection every 5 seconds until communications is established again.

The Heart Beat feature is not available when running in UDP Mode.

Quick Start

This section lists the steps needed to start using the DSE-410D.

Please familiarize yourself with the connections, indicators and switches before beginning. See chart and diagram on page 7.

There are three ways to configure the DSE-410D for your network and serial devices. We recommend the first method if using a Windows operating system.

1. Ethernet connection using the Quatech DSE-410D Manager under Windows
2. Ethernet connection using the Telnet VT100 Terminal software
3. RS-232 connection in Console mode using VT100 Terminal software

The DSE-410D can be configured on your network using a standard Cat 5 Ethernet cable, or to the Ethernet port on your computer using a crossover cable. Use the DSE-410D Manager utility with Windows or use Telnet for configuration without Windows.

With Console configuration, an RS-232 Crossover (null modem DTE/DTE) cable is usually needed, as the DSE-410D ports are configured DTE for RS-232. Set the mode switches to Console mode, (SW 1 - ON, SW 2 - ON, SW 3 - ON) before configuration.

Step 1: Decide which method to use for configuration and operation.

If using the Console mode for setup, refer to the Console mode section, Chapter 9, and Chapter 5, then power up the DSE-410D.

Step 2: Attach the DSE-410D to your network's switch or hub using a standard Cat 5 Ethernet cable, or directly to the LAN port on your computer using a crossover cable. You can connect your serial devices now if needed.

If using Telnet for setup, refer to the Console mode section, Chapter 9, and Chapter 5, then power up the DSE-410D.

Step 3: If using Windows, install the Quatech DSE-410D Manager software on the configuring Computer.

Step 4: Power on the DSE-410D and check the status lights.

Step 5: Start the Quatech DSE-410D Manager from your program menu.

Step 6: Select **Search** to find the DSE-410D on your network.

Step 7: When found, Double-Click the DSE-410D to bring up the Server Properties Configuration Screen. If more than one DSE-410D shows up, select the one that matches the Default IP Address shown on the bottom of the DSE-410D (usually 192.168.0.1).

Step 8: Refer to the Server Properties section, Chapter 5 for details on the Configuration parameters for each field. Configure and then Save/Update.

Step 9: If you want to use Virtual COM ports with Windows, install the Virtual COM port or ports on each computer requiring access to the DSE-410D.

Default DSE-410D Settings

Server Name:	Quatech
Serial Number:	
Password:	Blank
DHCP:	Disable
IP Address:	192.168.0.1
Net Mask:	255.255.255.0
Gateway:	192.168.0.254
MAC Address Fixed	– see bottom label
Baud Rate:	9600
Data/Parity/Stop:	8-N-1
Flow Control:	None
TCP/UDP Ports:	TCP Port 1 – 4000, Port 2 - 4001
Connection Mode:	Server
Remote IP Address:	255.255.255.255

Specifications

Serial Memory: 8K bytes per port

LAN: 10/100 Mbps Auto-detecting
10 BaseT or 100 BaseTX

Protocols

TCP, IP, ARP, DHCP, Telnet, HTTP, UDP, ICMP

Indicators

Power – Red LED
Link – Yellow or Green (10 BaseT or 100 BaseTX)
Ready – Flashing Green

Connectors

Ethernet: single RJ-45 female

Serial: two - 9 pin D-type male (DB9M)
DSE-410D Port 1 is switch selectable as RS-232/422/485
DSE-410D Port 2 is always RS-232

DC: ultra-miniature phone jack (2.5mm), Tip (+), Sleeve (-)

Serial Signals

RS-232 (DTE): TXD, RXD, RTS, CTS, DTR, DSR, DCD, and GND

RS-422: TXDB(+), TXDA(-), RXDB(+), RXDA(-), RTS(+), RTS(-), CTS(+), CTS(-), and GND

RS-485: Data B (+), Data A (-), and GND

Baud Rate: 110 bps to 230.4 kbps
Parity: none, even, odd
Data Bits: 7, 8
Stop Bits: 1, 2

Power & Environment

Power Requirements: 12 VDC @ 300 mA
Operating Temperature: 0 to 50 °C (32 to 122 °F)
Storage Temperature: -20 to 60 °C (-4 to 140 °F)
Humidity: 0 – 90% Non-Condensing
Approvals: CE, FCC

Dimensions

3.35 x 4.5 x 0.90 in (8.5 x 11.5 x 2.3 cm)

Hardware and Included Accessories

DSE-410D Ethernet Serial Device Server

Power Supply: 12VDC/500mA (tip positive/sleeve negative)

Area Dependent: US power plug (120VAC/60Hz) or

International AC plug (220/240VAC/50Hz)

Manual (paper copy of this manual)

CD-ROM disc with software for Windows 98/ME/NT/2000/XP and Quatech

DSE-410D Manager/Virtual COM Driver software

Optional Accessories

DSE-410D-DIN: Mounting clips for 35mm DIN Rail

Configuration Options

Console Mode using RS-232 with VT100 emulation

Telnet using VT100 emulation

Software for Console Mode or Telnet not included, can use HyperTerminal with Windows

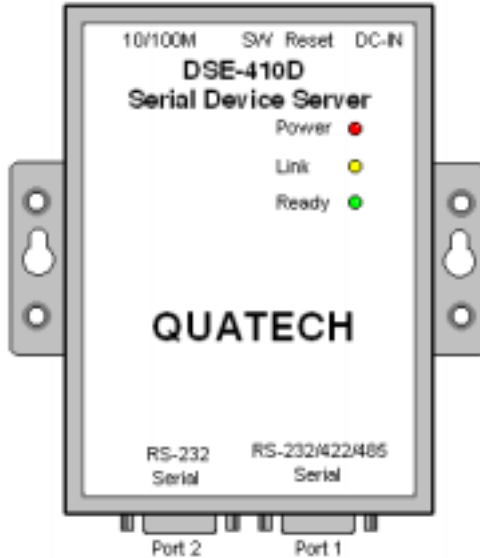
Quatech DSE-410D Manager using Windows 98/ME/NT/2000/XP

DSE-410D Manager software includes Search for Quatech DSE-410D on network, Configure Server Properties, Add/Remove Virtual COM port in Windows, and Firmware download for future revisions

2 Hardware

This section covers indicators, switch settings and connections.

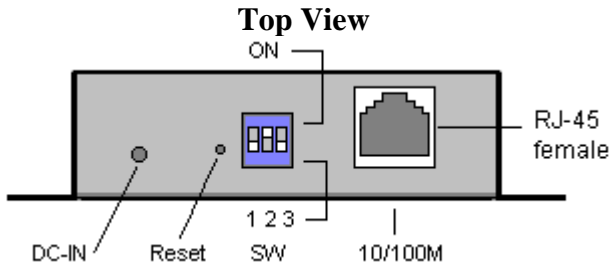
Side View – when vertically mounted



Light	Indication
Power	Red - Power is applied
Link	Yellow – 10 BaseT Ethernet or Green – 100 BaseTX Ethernet connection established
Ready	Flashing Green – system is ready

Ethernet Connection

A straight-through RJ45 (male) Ethernet cable can be used to connect the serial server to an Ethernet hub, switch, or wall plate. A crossover Ethernet cable can be used to make a connection directly to the RJ45 Ethernet port on a PC or laptop.



Power Connection

Connect the included power supply to the DC-IN jack, and then plug the supply into the local power outlet. When power is applied, the Red power light will illuminate. The tip of the power plug is positive, the sleeve is negative. The standard 12VDC/500mA power supply for North America shipment is 120VAC/60Hz; for Europe, Pacific, or UK it will be 230VAC or 240VAC/50Hz.

Reset Button

This button “soft” resets the DSE-410D, similar to removing/re-applying power. The Reset Button is recessed to avoid accidental operation. To reset the DSE-410D, insert a small plastic tool, press lightly and hold for 3 seconds. The Link and Ready lights will go out and come back on. If you change the Mode Switch settings, you can press Reset to reboot and read the new settings.

Mode Switches – DSE-410D Server Port 1

Set the switches for the mode desired, then apply or cycle the power.

Mode	SW1	SW2	SW3
RS-485 Operation	OFF	OFF	OFF
RS-422 Operation	ON	OFF	OFF
RS-232 Operation	OFF	ON	OFF
Default	ON	OFF	ON
Upgrade Firmware	OFF	ON	ON
Console Menu	ON	ON	ON

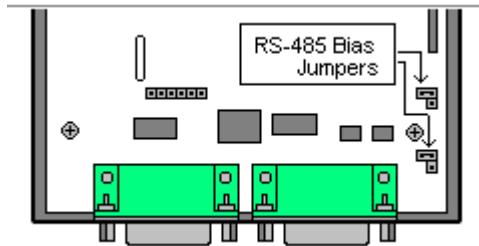
Table 2.2 – Mode Switches

The switches set the Multi-Interface serial port to RS-485, RS-422 or RS-232 operation. They also select the Server Console mode for Configuration, Upgrade mode for new firmware downloading, or Default to reset the DSE-410D to the original default settings.

RS-485 Mode

The RS-485 mode supports the Transmit and Receive Channels using 2-wire half-duplex operation. The data lines are differential with the Data B line positive relative to Data A in the Mark state. Ground provides a common mode reference. Refer to the Pin-out table for connections.

Selecting Internal RS-485 Bias Resistors



You can select RS-485 Receiver Biasing from the DSE-410D if your network doesn't supply any. Remove the two side cover screws, slide the cover off, then set the two bias jumpers (shown open) to enable biasing (shorting).

RS-422 Mode

The RS-422 mode supports 4 channels with full duplex operation for Receive, Transmit, RTS (Request To Send) and CTS (Clear To Send). The data lines are in differential pairs with the B lines positive relative to the A lines. Ground provides a common mode reference. To use handshaking, Flow Control must be set to RTS/CTS during configuration. Refer to the Pin-out table for connections.

RS-232 Mode

The RS-232 mode supports eight channels plus Signal Ground and is configured as DTE, like a computer. Signals are single-ended and referenced to Ground. To use handshaking, Flow Control must be set to RTS/CTS during Configuration. Refer to the Pin-out table for connections.

Default Setting

Use this mode to reset the original factory default settings when powered on.

Upgrade Mode

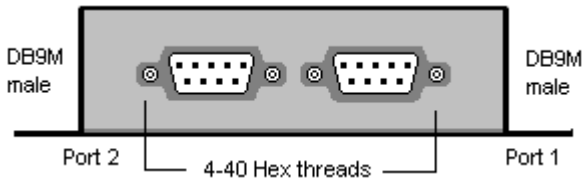
You can install newly revised firmware for the DSE-410D using RS-232 connections from a PC, through either the DSE-410D Manager or through the Virtual COM port. See Chapter 8 for details.

Console Mode

The Console mode provides access to the configuration menu using RS-232 connections. Connect a null modem crossover cable between the Multi-Interface port and one of the computer's RS-232 serial ports. The DSE-410D Serial ports are wired as DTE, like a computer, using DB9M connectors, so a crossover cable must be used to connect to another DTE port.

In Console mode the default serial port settings are: 9600 baud, 8 data bits, No parity, and 1 stop bit. With Windows, you can use HyperTerminal with VT100 terminal emulation for Console mode configuration. Use the default settings only if they have not been changed during a prior installation/configuration. See Chapter 7 for details.

Bottom View



Serial Connections

RS-232 Signal Name	DTE	RS-232	DB9M Pin	RS-422	RS-485
Carrier Detect	In	DCD	1	RXDA (-)	--
Receive (Rx) Data	In	RXD	2	RXDB (+)	--
Transmit (Tx) Data	Out	TXD	3	TXDB (+)	Data B (+)
DataTerminal Ready	Out	DTR	4	TXDA (-)	Data A (-)
Signal Ground	---	GND	5	GND	GND
Data Set Ready	In	DSR	6	CTSA (-)	--
Request To Send	Out	RTS	7	CTSB (+)	--
Clear To Send	In	CTS	8	RTSB (+)	--
Ring Indicator	In	RI	9	RTSA (-)	

Table 2.3 - Serial Connection Pin-outs for RS-232/RS-422/RS-485

The DSE-410D has two DB-9 male connectors.

- DSE-410D Port 1 - Multi-Interface, dip-switch selectable RS-232, RS-422, or RS-485
- DSE-410D Port 2 - RS-232 only

RS-232 Connections

In the RS-232 mode, the ports are configured as DTE (Data Terminal Equipment), like a computer.

Modem Cable - Straight Through Cable DB9 to DB9

DTE Device (Computer or DSE-410D)

DTE to DCE

RS-232 Signal Names	DB9	Pin#	Connections	Pin#	DB9
Carrier Detector (DCD)	CD	#1	→	#1	CD
Receive Data (Rx)	RD	#2	→	#2	RD
Transmit Data (Tx)	TD	#3	→	#3	TD
Data Terminal Ready	DTR	#4	→	#4	DTR
Signal Ground/Common (SG)	GND	#5	→	#5	GND
Data Set Ready	DSR	#6	→	#6	DSR
Request to Send	RTS	#7	→	#7	RTS
Clear to Send	CTS	#8	→	#8	CTS
Ring Indicator	RI	#9	→	#9	RI

Null Modem Cable - Crossover Cable DB9 to DB9

DTE Device (Computer)

DTE to DTE

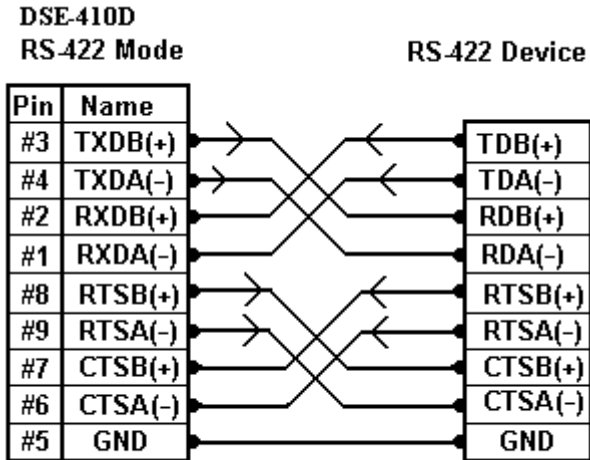
RS-232 Signal Names	DB9	Pin#	Connections	Pin#	DB9
Carrier Detector (DCD)	CD	#1	→	#1	CD
Receive Data (Rx)	RD	#2	→	#3	TD
Transmit Data (Tx)	TD	#3	→	#2	RD
Data Terminal Ready	DTR	#4	→	#4	DTR
Signal Ground/Common (SG)	GND	#5	→	#5	GND
Data Set Ready	DSR	#6	→	#6	DSR
Request to Send	RTS	#7	→	#8	CTS
Clear to Send	CTS	#8	→	#7	RTS
Ring Indicator	RI	#9	→	#9	RI

When connecting to a PC or another DTE device, use a null modem crossover cable.

When connecting to a DCE device that can normally be plugged into a PC, use a straight through cable. Set Flow Control to None for 3-wire RS-232.

Refer to Appendix B for DB9 to DB25 Conversion Cables.

RS-422 Connections



RS-422 Connections - w/Flow Control

In the RS-422 mode, TXD lines are outputs and RXD lines are inputs. Connect the TXDB(+) line to the RXDB(+) line of your device, and the TXDA(-) line to the RXDA(-) line of your device.

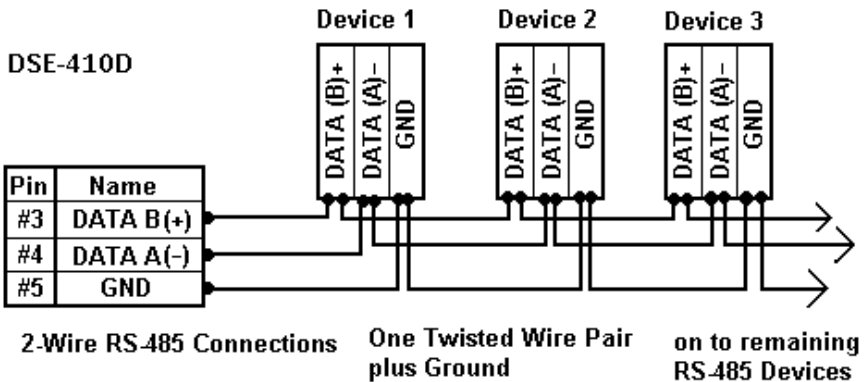
If Flow Control is set for RTS/CTS, connect the RTSB(+) line to the CTSB(+) line of your device and RTSA(-) to CTSA(-) of your device. Connect from CTSB(+) to RTSB(+) of your device and from CTSA(-) to RTSB(+) of your device.

If connecting to Receive Only RS-422 devices, connect from TXDB(+) and TXDA(-) to the receive pairs on all your devices.

Ground is signal ground and provides a common mode reference for the RS-422 Receiver and Transmitters.

The RS-422 mode can be used for full duplex 4-wire RS-485 operation provided that the DSE-410D is acting as a sole master connecting to all the slave devices, and all slave devices share the Receive signal lines to the master. Set Flow Control for none, and omit connections to RTS/CTS line pairs.

RS-485 Connections



Some RS-485 devices are marked opposite from the RS-485 standard that defines the Data B line as positive relative to Data A during a Mark state before enabling the transmitter, and after transmitting before tri-stating. If the RS-485 devices don't respond, try swapping the Data B and Data A lines.

If you want to connect 4-Wire RS-485 devices, you can use the RS-422 Mode provided that the DSE-410D will be connected as a Master in a single master system. If you have multiple masters, you cannot use this device because it does not tri-state the transmitter in RS-422 mode.

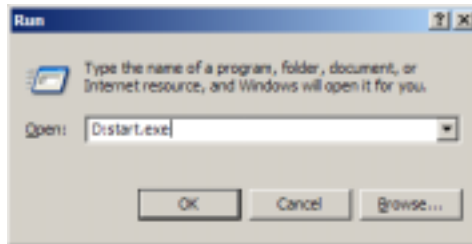
3 Install Quatech DSE-410D Software

The Windows-based DSE-410D Manager and Virtual COM port software makes configuration fast and easy. We recommend installing the Software to configure the DSE-410D unless you are not using Windows.

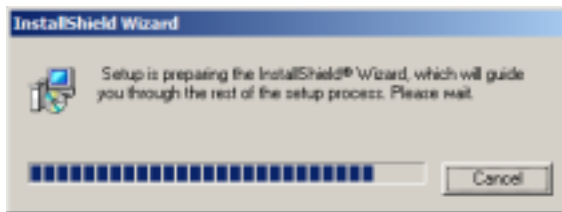
To install the DSE-410D Manager, Install Virtual Com, Uninstall Virtual COM programs:

Inserting the Quatech CD in the CD-ROM will automatically launch the Install Shield Wizard.

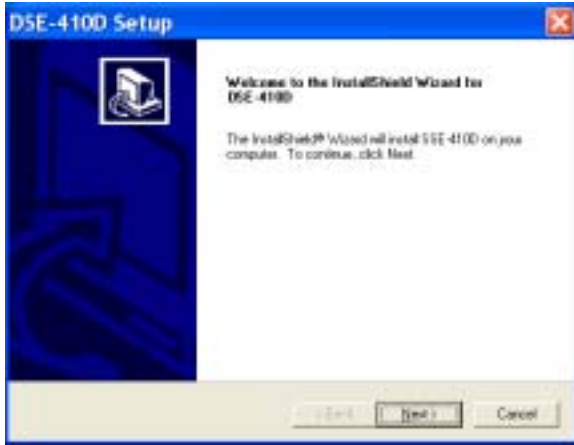
1. To manually start the software installation, select the **Start** button on the desktop. At the Run command line type D:start.exe and then select OK. D: is the drive letter for the CD-ROM.



2. The **Install Shield Wizard** window automatically displays to begin the setup procedure.



3. Click Next when the **Quatech DSE-410D Setup** window appears.



4. In the **Choose Destination Location** window, click Next to install the manager software in the default location (recommended). Select Browse to install into a user-selected directory.



5. The **Setup Status** window displays the progress of the installation.



6. Select **Finish** when the **Install Shield Wizard Complete** appears.



When the installation is complete the Install window closes. You can now start the DSE-410D Manager software. If the Management software is loaded in the default location, use Start/Programs/Quatech/SDS/DSE-410D. Select DSE-410D Manager to open.

If you have not already done so, connect the DSE-410D to your network using a Cat 5 Ethernet cable or to the LAN port on your computer using a crossover cable, and then apply power.

The Power indicator should light Red, the Link light should indicate which type of Ethernet connection has been made; and the Ready LED will flash indicating that you can begin configuration.

4 Using DSE-410D Manager

The DSE-410D Manager software performs several functions:

- Searches the LAN for installed DSE-410D Servers
- Configures the DSE-410D Server for operation
- Uninstalls Virtual COM ports
- Configures Virtual COM ports
- Upgrades Firmware

1. Connect the DSE-410D to the LAN using a standard Cat 5 Ethernet cable, or to the LAN port on your computer using an Ethernet crossover cable.
2. Apply power. The Red Power indicator will light, the Link indicator lights when an Ethernet connection is made, and the Ready indicator will flash. See the Hardware chapter for more information.

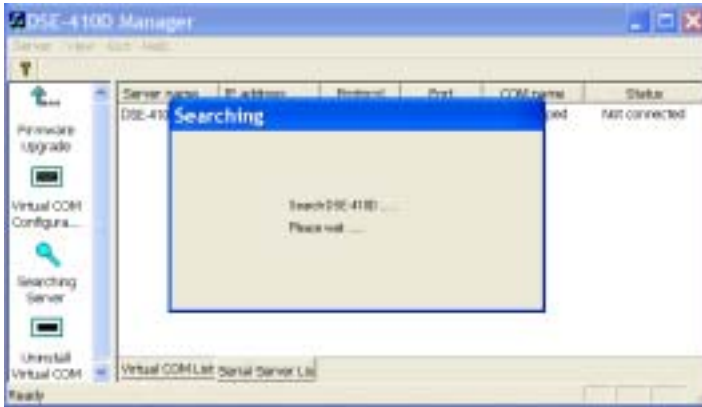
The DSE-410D Manager software can now be started and used to Search for all connected DSE-410D Server. Each Server will be found and displayed by name and IP address in the Server Window.

Searching LAN for DSE-410D

1. Select the DSE-410D Manager from your Programs menu. Use Start/Programs/Quatech/SDS/DSE-410D/DSE-410D Manager.



- In the sidebar icon window select the icon labeled Searching Server. The Searching window is shown until all active DSE-410D Servers on the LAN are listed in the main DSE-410D Manager Window.



These items are shown in the sidebar icon window of the DSE-410D Manager:

Firmware Upgrade

This is used when downloading new firmware to the DSE-410D Server. See Chapter 8.

Virtual COM Configuration

Can be used to change the Virtual COM Settings, IP address, Port #, Flow Control.

Searching Server

Can be used to find DSE-410D Servers on the network.

Uninstall Virtual COM

Shown in Windows 2000 and XP Device Manager only. Uninstall utility for Windows 98 and Me is located in Start/Programs/Quatech/SDS/DSE-410D/ folder.

These items are shown in the right side DSE-410D Manager Window:

Server Name

The DSE-410D Servers are listed twice, once for each port.

IP Address

The IP address for both DSE-410D ports is the same for each port by design.

Protocol

The TCP or UDP mode is shown.

COM Name

The mapped COM number is shown.

Status

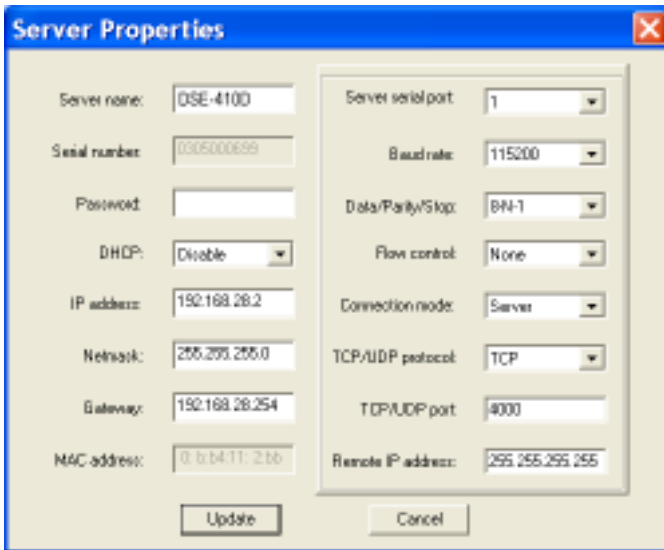
The Status indicates the Mapped (Virtual) COM port condition.

“Not Connected” is shown when a program does not have the port Open.

“Connected” is shown when that mapped port is Open for use.

Server Properties Screen

Highlight the DSE-410D Server in the Manager Server window; double-click to open.



The screenshot shows a "Server Properties" dialog box with the following fields and values:

Field	Value
Server name:	DSE-410D
Serial number:	0305000699
Password:	
DHCP:	Disable
IP address:	192.168.28.2
Netmask:	255.255.255.0
Gateway:	192.168.28.254
MAC address:	0-0-04-11-2-bb
Server serial port:	1
Baud rate:	115200
Data/Parity/Stop:	8N-1
Flow control:	None
Connection mode:	Server
TCP/UDP protocol:	TCP
TCP/UDP port:	4000
Remote IP address:	255.255.255.255

Buttons: Update, Cancel

The Server Properties screen is used to Configure and store the Server settings. Details for setting Properties are shown in the next chapter.

The DSE-410D Server Serial Port 1 is the Multi-Interface port; Server Serial Port 2 is the RS-232 port.

After Configuring as needed, click Update to Store the Configuration in the Server. After storing the configuration, and answering Yes to Restart, the Server is automatically reset. Repeat Search to verify changes.

Continued in next chapter.

5 Server Properties Configuration

The Quatech DSE-410D can be configured in one of three ways:

- DSE-410D Manager Software
- Telnet Mode
- Console mode

The Server Properties Configuration screen shown in the previous chapter displays a box for each property; Telnet or Console configuration will show similar configuration items.

In the DSE-410D Manager you can use the mouse to select the property and parameters for each property. Keyboard keys can be used as listed:

Tab:	Move to next configuration property.
Tab+Shift:	Move back to previous property.
Left Arrow:	Change values or contents of current property or Move up the list of items for current property
Right Arrow:	Change values or contents of current property or Move down the list of items for current property.
Enter:	Select Update or Cancel

The Keyboard keys can be used as listed below for Telnet or Console. The default Telnet port for Configuration is 23.

There are a few pre-defined keys to move around the menu and to save changes.

Space Bar:	To refresh the configuration page.
Tab:	To move the cursor to next field.
Back Space:	To move the cursor to previous field.
Arrow Keys:	To move the cursor around the configuration page.
Enter:	Telnet only - To open 2 nd window of selections, confirm a selected change, or to activate the save, default, reset, and status.

Note: Using Ping after/before Configuration will check communications with the selected IP address.

- At run prompt enter: **Command**
- Next enter: **Ping xxx.xxx.xxx.xxx** using the IP address on Command line.
- To check your computer IP address, gateway, enter **IPCONFIG** at prompt.
- When done, enter EXIT to return to Windows and close DOS window.

Server Name

You can enter a new Server Name of up to 16 characters. If you have more than one DSE-410D Server on the LAN we recommend that you assign a new name to each. When the DSE-410D Manager finds DSE-410D Servers on the LAN it displays the Server name and IP Address allowing the user to distinguish between several DSE-410D Servers.

Password

Entering a password activates a security feature on the DSE-410D. Once a password is entered it will be required to access the menu and make changes.

DHCP

DHCP servers are a part of numerous LAN management systems. The DHCP field has two selections, “Disable” or “Enable”. Select, then Tab to another property.

Telnet/Console: Arrow to the desired selection and select enter.

Disable is the normal/default setting. When enabled, DSE-410D will send a DHCP request to the DHCP server, which will assign a dynamic IP address, net mask, and gateway to the DSE-410D. If a DHCP server is not available on the network, the DSE-410D will time out after 10 seconds and the default values will remain.

IP Address, Netmask, and Gateway Properties

The Network Administrator can provide IP Address, Netmask, and Gateway address information.

All three fields will have to conform to your LAN for proper operation.

IP Address

Assign a static IP address using this property. A static IP address is retained and used each time the Server is powered up or starts/restarts. Software or hardware attempting to access the Server will need to use the static address to access the Server. The Network Administrator will assign/establish the static address or group of addresses to be used. The default IP address, such as IP 192.168.0.1, is shown on a label affixed to the bottom cover.

A dynamic address assigned by the DHCP server may change if the DSE-410D loses the Ethernet connection or power is removed. The host (client) communication software requests a connection to the specific IP address of the DSE-410D. If the

DHCP reassigns a different IP address, the software will not be able to communicate with the hardware. We recommend using a static IP address.

Net Mask

The default LAN net mask is configured for a Class C address. The user can change this if desired. Default is 255.255.255.0

Gateway

The Gateway IP address allows users to access the DSE-410D from outside the LAN.

MAC Address

The MAC address is fixed, not adjustable. It is assigned in the factory. Every Ethernet device manufactured has its own unique MAC address.

Link Status (Shown in Telnet or Console mode only)

Link status automatically displays the type of Ethernet connection. It will either display 10 BaseT or 100 BaseTX in full duplex or half duplex. This will depend on the LAN, switches, and hubs used in the LAN topology.

Server Serial Port (Select 1 or 2)

One port is shown. Make selections for Port 1 (Multi-Interface), then select Port 2 (RS-232) and make selections. Using the DSE-410D Manager, you must click Update to store settings for that port before changing to the other port. Only the settings for the port shown are stored. Using Telnet or Console mode, Save stores settings for both ports.

Baud Rate (Set for each port)

The serial port baud rate on the DSE-410D must match the serial baud rate of the connected device unless using Virtual COM mode. In Virtual COM mode, the software program will establish serial settings. Use the arrow keys to change the setting to the desired baud rate.

Data/Parity/Stop (Set for each port)

Set this to match the data format used by the device connected when the Virtual COM mode is not being used. *Telnet/Console: Tab to the Data/Parity/Stop field and arrow to the desired selection.*

Flow Control (Set for each port)

The Flow Control setting must match the requirements of the device connected. Tab to the Flow Control field and arrow to None or RTS/CTS. Select None when setting DSE-410D Port 1 as RS-485 or 4-wire RS-422.

Connection Mode (Set for each port)

The Connection mode has two options, Client and Server.

Select the Server mode to use a Virtual COM port or to use a TCP or UDP Socket program.

When set as Client, the console mode or DSE-410D Manager software must be used to access the menu.

TCP/UDP Protocol (Set for each port)

Select TCP or UDP protocol. If the application does not require a UDP connection, select TCP. TCP guarantees reliable communication with error checking. TCP is Transmission Control Protocol and UDP is User Datagram Protocol.

TCP/UDP Port (Set for each port)

This sets the port number for connection. The default port numbers are 4000 and 4001.

In all modes of operation, Direct IP or Virtual Com, the port number set in the DSE-410D menu must match the Virtual COM and socket software port settings.

As an example, the Virtual COM default setting is TCP/UDP Port 4000. If the port # property is changed to 4001, then the Virtual COM TCP/UDP Port will have to be changed to 4001. The DSE-410D Manager or Telnet/Console configuration can change the setting for the hardware. The Virtual COM port setting can be changed within the Device Manager of the computer in which it is installed.

Remote IP Address (Set for each port)

This is a security feature activated by entering the IP address of the desired client. The DSE-410D will only communicate with the listed IP address and all other requests for connection will be filtered out. The DSE-410D is set to TCP or UDP Server in Connection Mode to use this feature.

The default setting is 255.255.255.255. If you are not using the Paired Mode, we recommend not changing this setting until the application has been tested and is communicating properly. Then you can activate the address-filtering feature.

Update

If using the Server Properties screen for Configuration, click the Update button to store the configuration settings. This also resets the Server. Search to locate the Server with new settings.

If using the Telnet or Console mode, Tab to **Save**, then press Enter.

There are five options shown at the bottom of the menu, “**Save**”, “**Default**”, “**Running**”, “**Reset**” and **Status**. Use Tab, Backspace, or arrow keys to move the cursor to the option position, and then press Enter.

Save stores the configuration data to DSE-410D flash memory, and resets it.

Default restores the editing configuration data to factory default settings.

Running restores the editing configuration data to the values stored in the flash.

Reset re-boots the DSE-410D saving the change menu settings.

Status displays how many Ethernet packets and serial bytes are transmitted and received. A refresh button is available to update the displayed figures.

Refresh/Space Bar: Press to refresh the configuration page.

6 Installing Virtual Com Port

The Virtual COM Port software enables Windows-based applications to use the serial port on the DSE-410D Server as a COM port or to use standard Windows API calls for COM port access.

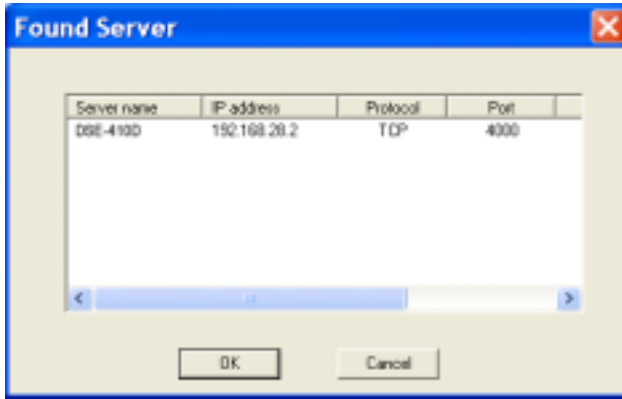
Running the Install Virtual COM port software adds a DSE-410D (COM#) port to the computer that shows up in the Device Manager. The COM number can be selected from a list of available numbers.

For example, in a computer already having a COM1 and COM2, COM3 to COM 254 are available for the DSE-410D. The virtual COM port looks like a standard COM port to most Windows-based applications, which allows the software to open a connection with the serial port located anywhere on the LAN. When using the virtual COM port, the DSE-410D is configured as a TCP or UDP Server.

1. Select **Install Virtual COM** from your Programs list next to the DSE-410D Manager (Start/Programs/Quatech/SDS/DSE-410D/Install Virtual Com).



- The program searches the LAN for all available DSE-410D Servers when it starts, then displays a list of those found in the **Found Server** window. Highlight the Server at the IP Address you wish to use, and then select OK.



- After the **COMInst** window opens, select the desired COM # in the Map To: options.
- Windows XP** may provide a notice concerning Windows Logo testing for XP.

This XP feature simply indicates that these drivers have not yet undergone the Microsoft testing procedures required to use the Windows XP Logo on the packaging. Driver compatibility is not affected.

Select “Continue anyway” to proceed with the installation.



5. The Protocol TCP/UDP, IP Address, and Port Number will mirror the settings of the selected serial server.

After setting both DSE-410D Serial Ports as Virtual COM ports, Select Cancel on the Found Server form.

Note: Your PC may have hardware COM ports and devices such as a Modem, IR port or USB-based COM ports that are not currently connected. You may want to select a COM number above COM4 if problems occur.

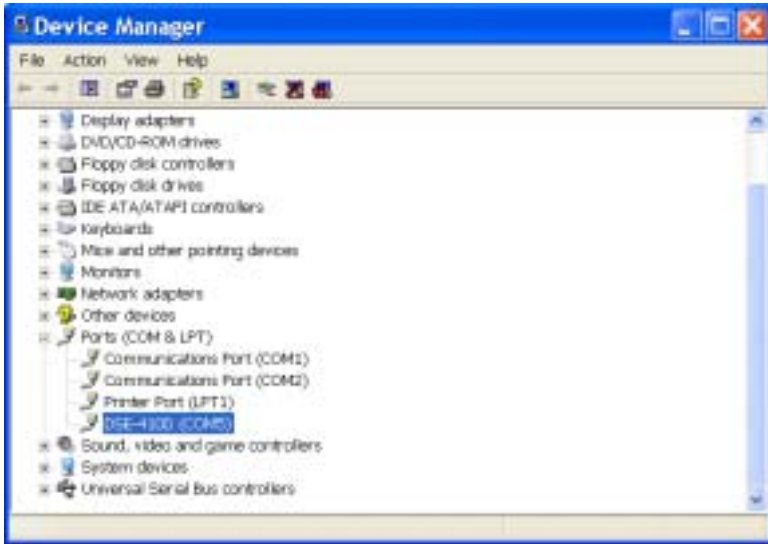
The default Flow Control setting is None. RTS/CTS can be selected if used by the application program and serial hardware. The DSE-410D Server must be set to match.

The settings of the Virtual COM port in the Device Manager and the DSE-410D Configuration menu must match. If the settings do not match, the Virtual COM port will not work. If these settings are changed in the Device Manager, it will only affect the operation of the Virtual COM port. It will not change the settings stored in the DSE-410D. Use the DSE-410D Manager to change Server Settings.

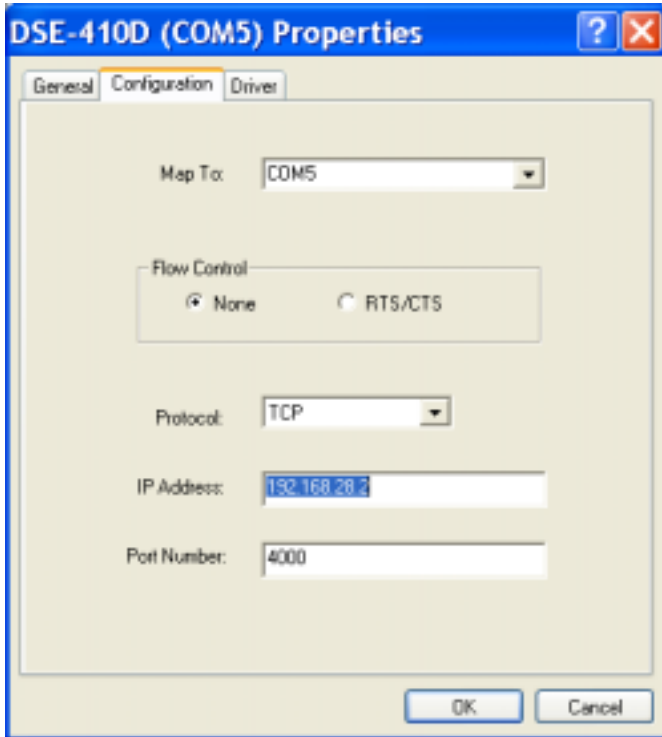
Use Device Manager to View New Ports

1. Confirm the Virtual COM port in the Device Manager. Double-click Ports to view the list of COM port numbers.

The installed Virtual COM port will be displayed as Quatech DSE-410D (COM #).



2. Select the DSE-410D COM#. Double-click it to bring up the Properties.
3. Select the Configuration or Port Settings tab. This screen lets you change the Settings if needed.



4. Use Cancel if you don't want to change any settings.

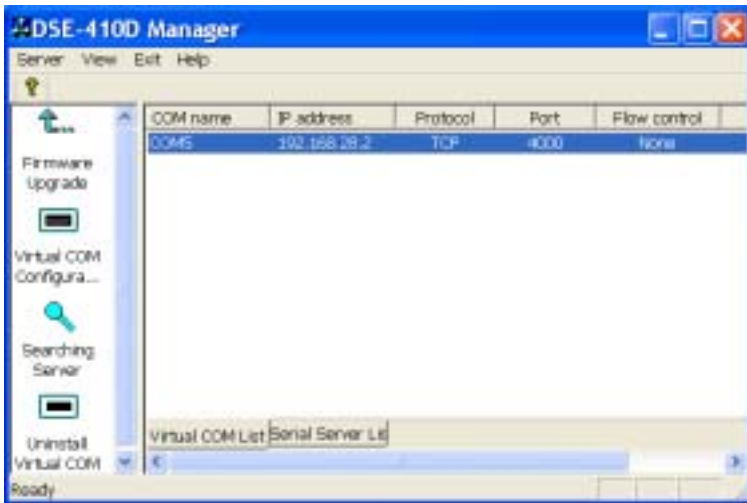
Use OK to change the settings. Use Refresh in the Device Manager if your version of Windows doesn't auto refresh.

7 Removing a Virtual Com Port

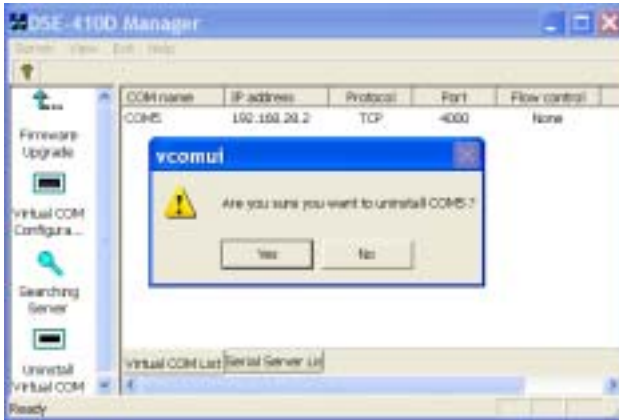
The DSE-410D Management software's Uninstall Virtual COM port feature will remove the mapped COM port in the Device Manager of Windows 2000 and XP operating systems. It may also be removed in the Device Manager of Windows 98, Me, NT, 2000, and XP. Windows 98 users will also find a Remove Virtual COM feature in the programs file.

Removing the Virtual COM port with the DSE-410D Management software

1. At the Desk Top select Start/Programs/Quatech/ SDS/DSE-410D/DSE-410D Manager.
2. In the Manager window select Virtual COM Configuration. Highlight the mapped COM port number to be removed.



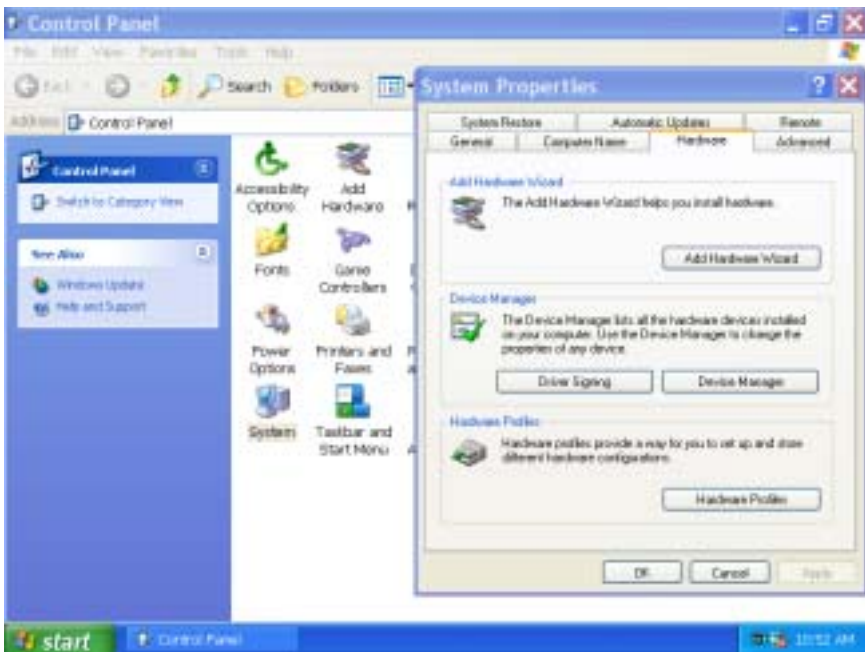
3. Select Uninstall Virtual COM button. The Manager will ask for confirmation. Select OK to complete the uninstall procedure.



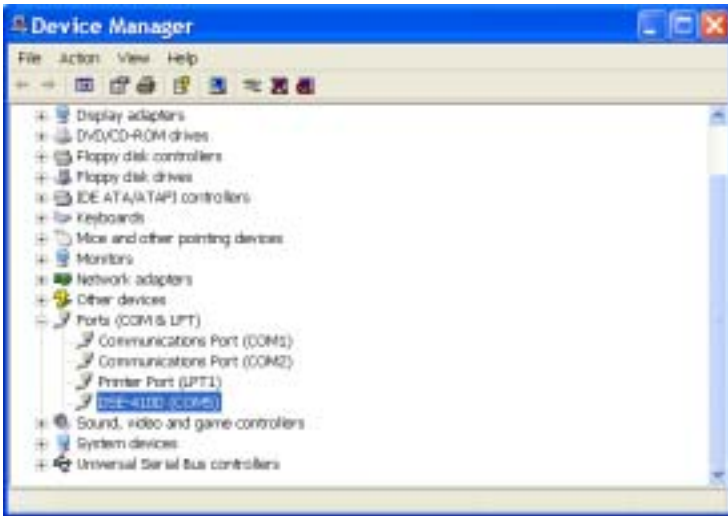
Removing the Virtual COM Port using Device Manager

The screen shots were taken from a Windows XP operating system.

1. On the Desktop select Start/Settings/Control Panel. Select the system icon when the manager window opens.



2. Select Device Manager in the Systems Properties window. In the Device Manger window select the + next to Ports (COM & LPT) to expand.



3. Highlight DSE-410D (COM #) to be removed, go the Action tab at the top of window and select uninstall. A confirm Device Removal window will appear. Select OK to procedure.



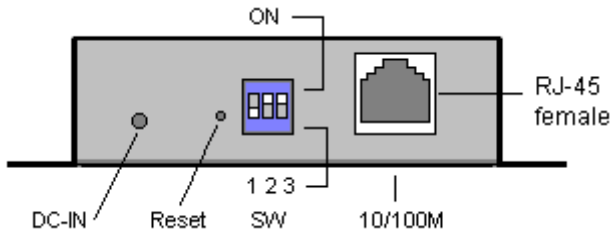
4. The DSE-410D COM # will be removed and the Device Manager window will refresh and display the remaining COM ports.

8 Upgrade Mode

New DSE-410D firmware may become available through our Web site for installation into the DSE-410D. The software can be downloaded to the DSE-410D using either the Virtual COM or hardware COM port.

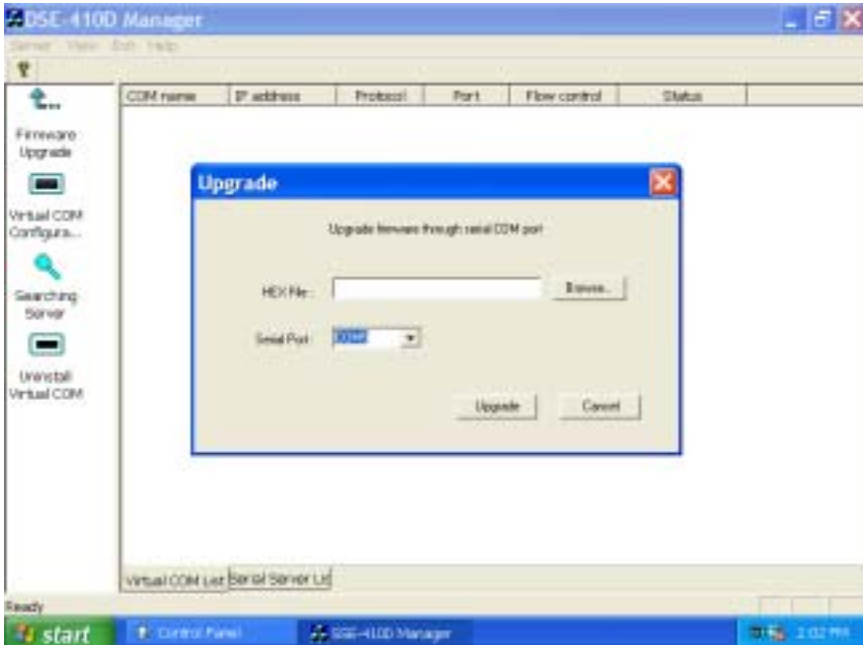
Using Virtual COM or Serial Connections

1. Make a folder to receive the firmware file. Download the compressed software file from our website to your folder. Unzip or expand the file into the (.hex) format so it will be ready to download to the DSE-410D.
2. Before Setting the DSE-410D to Upgrade mode, we recommend setting the DSE-410D Server baud rate to 115.2K if using a hardware COM port. This will provide the fastest download.
3. Set DSE-410D Dip Switches to Upgrade, Switch 1 - OFF, Switch 2 - ON, and Switch 3 - ON. (*As shown here*)



4. If using a Virtual COM port to upgrade, identify the virtual COM number and address used for the Multi-Interface port.
5. If connecting directly to a Computer serial port, connect a null modem cable (Appendix B) between the Computer RS-232 port and the DSE-410D Multi-Interface (DSE-410D Port 1) serial port.

Continued next page



6. Select Browse, locate the folder where you placed the firmware .hex file, select it, Open, and then select the Upgrade button.
7. In the Serial Port selection options select the COM port number used to connect to the DSE-410D. If using the Virtual COM port, select that number.



- Next a serial menu is shown so you can match the Upgrade mode settings to DSE-410D Server serial settings (which you noted in Server Properties). **The settings must match or the upgrade will fail.**



- Upgrade progress will be shown until the Upgrade was successful message is shown. Select and exit from the Manager software.
- When the upgrade is complete reset server. Use Telnet, Hyper Terminal Winsock or Console mode to access the menu. Once the menu is open select the reset button. When the DSE-410D is reset the build date listed at the bottom of the menu will reflect the new firmware version.

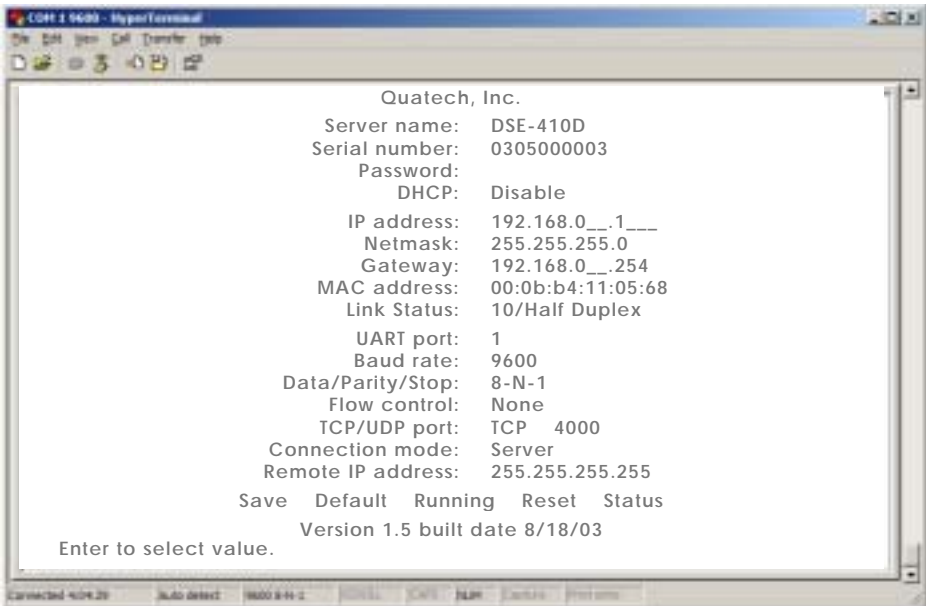
9 Chapter 9: Console Mode Setup

Before the DSE-410D is installed on a LAN, the Console Mode can be used to change the settings from the Defaults. Set the three DSE-410D switches to the “ON” position. Connect a null modem cable between the Multi-Interface serial port (DSE-410D Port 1) on the Server and the COM port on the Computer. *See Chapter 5 for details of each Server Property Setting.*

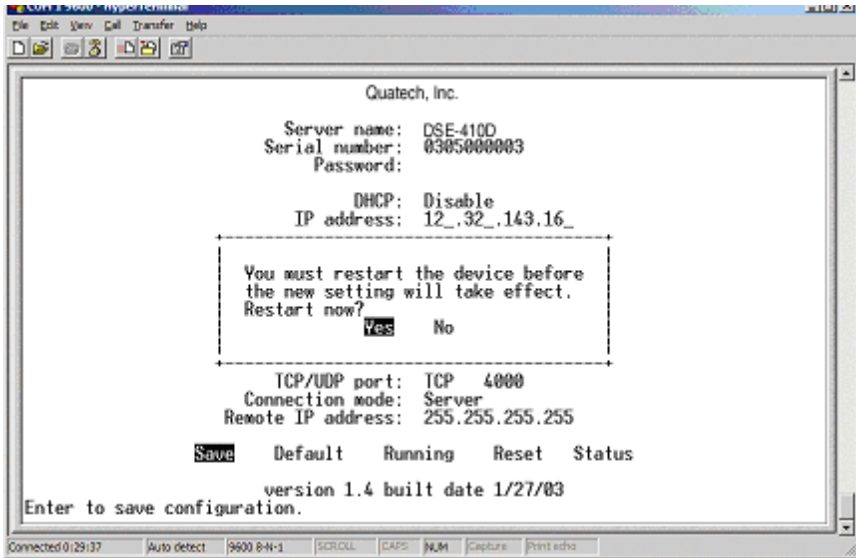
Apply power to the DSE-410D. The power and ready LED will light.

Using your VT100 Terminal emulation program (HyperTerminal can be used with Windows – Set Connect Direct to connected COM port #), open the COM port to which your cable is attached at a baud rate of 9600, Data bits 8, Parity None, Stop bits 1, and Flow control None.

To view the menu hit the space bar. Use the arrow keys to select the desired field. The following fields have a selection list to choose from, DHCP, UART Port, Baud Rate, Data/Parity/Stop, Flow control, TCP/UDP port and Connection mode. To view the options arrow to the field and select enter.

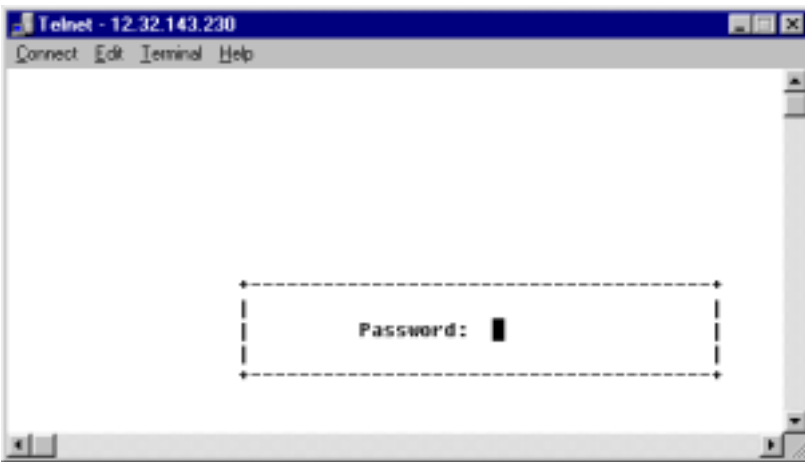


Once all the changes have been made move to the Save field and select enter.



The restart message will appear. Select Yes to save changes. This is necessary to write the settings to the server. To view the changes press the Space bar. The screen will reappear.

If you assign a password to the server, you will need to supply it before you can view the Configuration screen. When you access the server with a password and make no changes, Reset to end before Disconnect.



10 Appendix A: RS-232, RS-422 Loopback Connections

RS-232 Loopback - DTE

DB9 Connections

RS-232 Signal Names	Pin#	Direction
Carrier Detector (DCD)	CD #1	←
Receive Data (Rx)	RD #2	←
Transmit Data (Tx)	TD #3	→
Data Terminal Ready	DTR #4	→
Signal Ground/Common (SG)	GND #5	
Data Set Ready	DSR #6	←
Request to Send	RTS #7	→
Clear to Send	CTS #8	←
Ring Indicator	RI #9	←

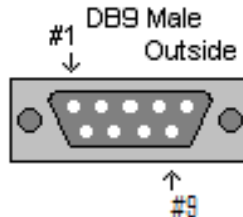
For Transmit and Receive loopback, connect only those lines.

When Flow Control setting on the Serial device server is set for RTS/CTS, those lines must be looped. Usually DTR and DSR must also be looped. The Flow Control setting for the program must match the Server settings. The CD connection is needed by some terminal programs to simulate Carrier.

RS-422 Mode

Pin	Name
#3	TXDB(+)
#4	TXDA(-)
#2	RXDB(+)
#1	RXDA(-)
#8	RTSB(+)
#9	RTSA(-)
#7	CTSB(+)
#6	CTSA(-)
#5	GND

RS-422 Loopback Connections



The RS-485 Connections are half duplex, either Receive or Transmit, so another half duplex device must be used to check operation.

11 Appendix B: RS-232 Connections

RS-232 Signal Name	DTE	RS-232	DB9M Pin
Carrier Detect	In	DCD	1
Receive (Rx) Data	In	RXD	2
Transmit (Tx) Data	Out	TXD	3
Data Terminal Ready	Out	DTR	4
Signal Ground	---	GND	5
Data Set Ready	In	DSR	6
Request To Send	Out	RTS	7
Clear To Send	In	CTS	8
Ring Indicator	In	RI	9

Modem Cable - Straight Through Cable DB9 to DB9

DTE Device (Computer or DSE-410D)

DTE to DCE

RS-232 Signal Names	DB9	Pin#	Connections	Pin#	DB9
Carrier Detector (DCD)	CD	#1	●————●	#1	CD
Receive Data (Rx)	RD	#2	●————●	#2	RD
Transmit Data (Tx)	TD	#3	●————●	#3	TD
Data Terminal Ready	DTR	#4	●————●	#4	DTR
Signal Ground/Common (SG)	GND	#5	●————●	#5	GND
Data Set Ready	DSR	#6	●————●	#6	DSR
Request to Send	RTS	#7	●————●	#7	RTS
Clear to Send	CTS	#8	●————●	#8	CTS
Ring Indicator	RI	#9	●————●	#9	RI

Null Modem Cable - Crossover Cable DB9 to DB9

DTE Device (Computer)

DTE to DTE

RS-232 Signal Names	DB9	Pin#	Connections	Pin#	DB9
Carrier Detector (DCD)	CD	#1	●————●	#1	CD
Receive Data (Rx)	RD	#2	●————●	#2	RD
Transmit Data (Tx)	TD	#3	●————●	#3	TD
Data Terminal Ready	DTR	#4	●————●	#4	DTR
Signal Ground/Common (SG)	GND	#5	●————●	#5	GND
Data Set Ready	DSR	#6	●————●	#6	DSR
Request to Send	RTS	#7	●————●	#7	RTS
Clear to Send	CTS	#8	●————●	#8	CTS
Ring Indicator	RI	#9	●————●	#9	RI

RS-232 Connections (cont'd.)

Modem Cable - Straight Conversion DB9 to DB25

DB9 DTE to DCE DB25

RS-232 Signal Names	Pin#	Connections	Pin#	
Carrier Detector (DCD)	CD #1		#1	FGND
Receive Data (Rx)	RD #2		#2	TD
Transmit Data (Tx)	TD #3		#3	RD
Data Terminal Ready	DTR #4		#4	RTS
Signal Ground/Common (SG)	GND #5		#5	CTS
Data Set Ready	DSR #6		#6	DSR
Request to Send	RTS #7		#7	GND
Clear to Send	CTS #8		#8	CD
Ring Indicator	RI #9		#20	DTR
Soldered to DB9 Metal - Shield	FGND	#22	RI	

Null Modem Cable - Crossover Cable DB9 to DB25

DB9 DTE to DTE DB25

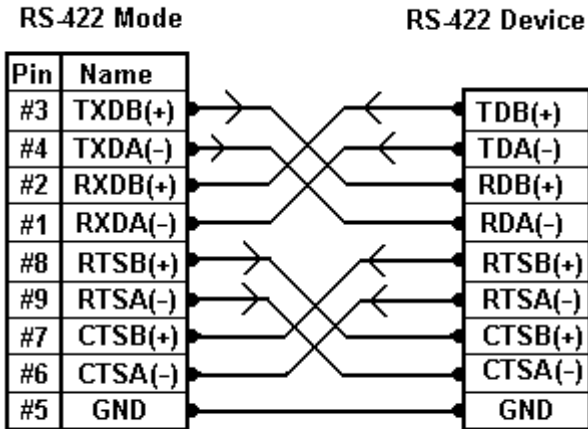
RS-232 Signal Names	Pin#	Connections	Pin#	
Carrier Detector (DCD)	CD #1		#1	FGND
Receive Data (Rx)	RD #2		#2	TD
Transmit Data (Tx)	TD #3		#3	RD
Data Terminal Ready	DTR #4		#4	RTS
Signal Ground/Common (SG)	GND #5		#5	CTS
Data Set Ready	DSR #6		#6	DSR
Request to Send	RTS #7		#7	GND
Clear to Send	CTS #8		#8	CD
Ring Indicator	RI #9		#20	DTR
Soldered to DB9 Metal - Shield	FGND	#22	RI	

Refer to Chapter 2 for more information.

12 Appendix C: RS-422 Connections

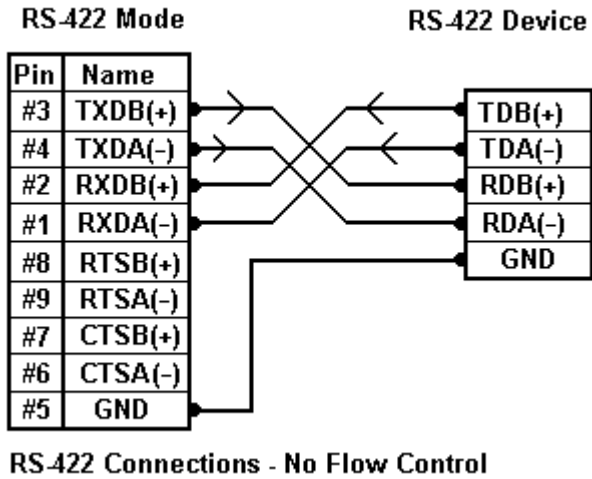
RS-422 Connections

RS-422 Signal Name	Direction	RS-422	DB9M Pin
Receive Data A (-)	In	RXDA (-)	1
Receive Data B (+)	In	RXDB (+)	2
Transmit Data B (+)	Out	TXDB (+)	3
Transmit Data A (-)	Out	TXDA (-)	4
Signal Ground	---	GND	5
Clear to Send A (-)	In	CTSA (-)	6
Clear to Send B (+)	In	CTSB (+)	7
Request to Send B (+)	Out	RTSB (+)	8
Request to Send A (-)	Out	RTSA (-)	9



RS-422 Connections - w/Flow Control

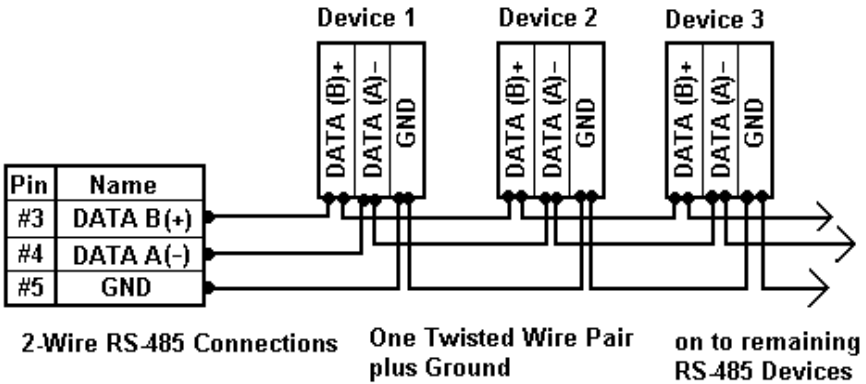
RS-422 Connections (cont'd.)



Refer to Chapter 2 for more information.

13 Appendix D: RS-485 Connections

RS-485 Signal Name	Direction	RS-485	DB9M Pin
Data B (+)	In/Out	DATA B (+)	3
Data A (-)	In/Out	DATA A (-)	4
Signal Ground	---	GND	5



Refer to Chapter 2 for more information.

14 Appendix E: Warranty

Quatech, Inc. warrants the Serial Device Server to be free of defects in materials and workmanship for a period of five (5) years from the date of purchase. Quatech, Inc. will repair or replace any board that fails to perform under normal operating conditions and in accordance with the procedures outlined in this document during the warranty period.

Any damage caused by external causes, including problems with electrical power, servicing not authorized by Quatech, negligent installation or operation, failure to follow documented procedures, abuse, or general misuse of the product is not covered by the warranty. Custom configured products are non-refundable. Quatech makes no express warranties except those stated in this paragraph and in the applicable warranty statements for specific products in effect on the date of invoice. No representation is made regarding the suitability of this product for any particular purpose.

To request warranty service, you must call Quatech at (800) 553-1170, or submit the on-line form at: <http://www.quatech.com/support/support.php> within the warranty period with a description of the problem. If warranty service is required, Quatech will issue a Return Material Authorization (RMA) Number. You must ship the defective product back to Quatech during the warranty period in its original or equivalent packaging, prepay shipping charges, and insure the shipment or accept the risk of loss or damage during shipment. Quatech will ship the repaired or replacement products to you.

Quatech reserves the right to modify its warranty at any time, in its sole discretion. All software is provided subject to the license agreement that is part of the package. Customer agrees that it will be bound by the license agreement once the package is opened or its seal is broken. Quatech does not warrant any software under this Agreement. Warranties, if any, for software are contained in the license agreement that governs its purchase and use.

THIS WARRANTY GIVES YOU SPECIFIC LEGAL RIGHTS, AND YOU MAY ALSO HAVE OTHER RIGHTS WHICH VARY FROM STATE TO STATE. QUATECH'S SOLE OBLIGATION (AND CUSTOMER'S SOLE REMEDY) WITH RESPECT TO THE FOREGOING LIMITED WARRANTY SHALL BE TO, AT ITS OPTION, REFUND THE PURCHASE PRICE OR REPAIR/REPLACE ANY DEFECTIVE PRODUCTS, PROVIDED THAT QUATECH RECEIVES WRITTEN NOTICE OF SUCH DEFECTS DURING THE APPLICABLE WARRANTY PERIOD. CUSTOMER MAY NOT BRING AN ACTION TO ENFORCE ITS REMEDIES UNDER THE FOREGOING LIMITED WARRANTY MORE THAN ONE (1) YEAR AFTER THE ACCRUAL OF SUCH CAUSE OF ACTION. ALL EXPRESS AND IMPLIED WARRANTIES FOR THE PRODUCTS, INCLUDING WITHOUT LIMITATION ANY IMPLIED WARRANTIES OF MERCHANTABILITY AND FITNESS FOR A PARTICULAR PURPOSE, ARE LIMITED IN DURATION TO THE WARRANTY PERIOD SET FORTH ABOVE AND NO WARRANTIES, WHETHER EXPRESS OR IMPLIED, WILL APPLY AFTER SUCH PERIOD. SOME STATES DO NOT ALLOW LIMITATIONS ON HOW LONG AN IMPLIED WARRANTY LASTS, SO THE ABOVE LIMITATION MAY NOT APPLY TO YOU.

QUATECH, ITS LICENSORS, DISTRIBUTORS, AND SUPPLIERS (INCLUDING ITS AND THEIR DIRECTORS, OFFICERS, EMPLOYEES, AND AGENTS) SHALL NOT BE LIABLE FOR ANY SPECIAL, INDIRECT, INCIDENTAL, EXEMPLARY, OR CONSEQUENTIAL DAMAGES, INCLUDING WITHOUT LIMITATION LOST PROFITS, BUSINESS INTERRUPTION, LOST OR CORRUPTED DATA OR SOFTWARE, OR ANY OTHER DAMAGES ARISING OUT OF THE USE OR INABILITY TO USE THE PRODUCTS, EVEN IF QUATECH OR ITS LICENSORS, DISTRIBUTORS, AND SUPPLIERS HAS BEEN ADVISED OF THE POSSIBILITY OF SUCH DAMAGES. CUSTOMER AGREES THAT FOR ANY LIABILITY RELATED TO THE PURCHASE OF PRODUCTS OR SERVICES BUNDLED WITH THE PRODUCTS, QUATECH IS NOT LIABLE OR RESPONSIBLE FOR ANY AMOUNT OF DAMAGES ABOVE THE AGGREGATE DOLLAR AMOUNT PAID BY CUSTOMER FOR THE PURCHASE OF PRODUCTS UNDER THIS AGREEMENT. SOME STATES DO NOT ALLOW THE EXCLUSION OR LIMITATION OF INCIDENTAL OR CONSEQUENTIAL DAMAGES, SO THE ABOVE LIMITATION OR EXCLUSION MAY NOT APPLY TO YOU.

Please complete the following information and retain for your records:

DATE OF PURCHASE: _____

MODEL NUMBER: DSE-410D

PRODUCT DESCRIPTION: Dual-Port Serial Device Server

SERIAL NUMBER: _____

All products returned to Quatech for either warranty or non-warranty repair MUST be assigned a Returned Material Authorization (RMA) number prior to shipment. This RMA number must be clearly marked on the exterior of the product's return packaging and in any correspondence to ensure proper routing and prompt attention. To obtain an RMA number, contact Quatech Technical Support Department at 1-800-553-1170. In order to prevent damage to returned merchandise during shipment, please package electronic components in anti-static/shock proof materials.

For **warranty** repair/returns, please have the following information available when contacting the Technical Support department:

1. Model number and serial number of the product under warranty
2. Repair instructions and/or specific description of the problem

For **non-warranty** repairs or upgrades, contact the Technical Support department for current repair charges and please have the following information available:

1. Purchase order number to cover the cost of the service
2. Model number and serial number of the product
3. Repair or upgrade instructions relative to the product

Free Manuals Download Website

<http://myh66.com>

<http://usermanuals.us>

<http://www.somanuals.com>

<http://www.4manuals.cc>

<http://www.manual-lib.com>

<http://www.404manual.com>

<http://www.luxmanual.com>

<http://aubethermostatmanual.com>

Golf course search by state

<http://golfingnear.com>

Email search by domain

<http://emailbydomain.com>

Auto manuals search

<http://auto.somanuals.com>

TV manuals search

<http://tv.somanuals.com>