

# QUATECH

## MPAP-100 RS-232 PCMCIA SYNCHRONOUS ADAPTER

for PCMCIA Card Standard compatible machines

### User's Manual

QUATECH, INC.  
5675 Hudson Industrial Parkway  
Hudson, Ohio 44236

TEL: (330) 655-9000  
FAX: (330) 655-9010  
[www.quatech.com](http://www.quatech.com)

## WARRANTY INFORMATION

Quatech Inc. warrants the **MPAP-100** to be free of defects for **one (1) year** from the date of purchase. Quatech Inc. will repair or replace any board that fails to perform under normal operating conditions and in accordance with the procedures outlined in this document during the warranty period. Any damage that results from improper installation, operation, or general misuse voids all warranty rights.

Although every attempt has been made to guarantee the accuracy of this manual, Quatech Inc. assumes no liability for damages resulting from errors in this document. Quatech Inc. reserves the right to edit or append to this document at any time without notice.

Please complete the following information and retain for your records. Have this information available when requesting warranty service.

DATE OF PURCHASE:

MODEL NUMBER: **MPAP-100**

PRODUCT DESCRIPTION: **Single Channel PCMCIA RS-232-D  
Synchronous Communications  
Adapter**

SERIAL NUMBER:

Copyright 2001 Quatech, Inc.

### NOTICE

The information contained in this document is protected by copyright, and cannot be reproduced in any form without the written consent of Quatech, Inc. Likewise, any software programs that might accompany this document are protected by copyright and can be used only in accordance with any license agreement(s) between the purchaser and Quatech, Inc. Quatech, Inc. reserves the right to change this documentation or the product to which it refers at any time and without notice.

The authors have taken due care in the preparation of this document and every attempt has been made to ensure its accuracy and completeness. In no event will Quatech, Inc. be liable for damages of any kind, incidental or consequential, in regard to or arising out of the performance or form of the materials presented in this document or any software programs that might accompany this document.

Quatech, Inc. encourages feedback about this document. Please send any written comments to the Technical Support department at the address listed on the cover page of this document.

## Table of Contents

<b>1 Introduction</b>	6
1.1 System Requirements	6
<b>2 Hardware Installation</b>	7
<b>3 DOS / Windows 3.x Software Installation</b>	8
<b>3.1 MPAP-100 Client Driver for DOS</b>	10
3.1.1 DOS client driver installation	10
3.1.2 Auto Fallback configuration	11
3.1.3 Hot Swapping	11
3.2 DOS Client Driver examples	13
<b>3.3 MPAP-100 Enabler for DOS</b>	14
3.3.1 DOS Enabler Installation	14
3.3.2 Hot Swapping is not supported	14
3.3.3 Configuring a card	14
3.3.4 Releasing a card's configuration	16
3.4 DOS Enabler Examples	17
<b>4 Windows 95/98 Installation</b>	18
4.3 Configuration Options	22
<b>5 OS/2 Software Installation</b>	23
5.1 System Requirements	23
5.2 OS/2 Client Driver Installation	23
5.2.1 Tying a configuration to a particular socket	24
5.2.2 Auto Fallback configuration	24
5.2.3 Hot Swapping	24
5.3 OS/2 Client Driver Configuration Examples	25
5.4 Monitoring The Status Of PCMCIA Cards	25
5.5 Installing OS/2 PCMCIA Support	26
<b>6 Using the MPAP-100 with Syncdrive</b>	27
<b>7 Addressing</b>	28
<b>8 Interrupts</b>	29
<b>9 SCC General Information</b>	30
9.1 Accessing the registers	31
9.2 Baud Rate Generator Programming	34
9.3 SCC Data Encoding Methods	34
9.4 Support for SCC Channel B	34
9.4.1 Receive data and clock signals	35
9.4.2 Extra clock support for channel A	35
9.4.3 Extra handshaking for channel A	35
9.4.4 Other signals are not used	35
9.5 SCC Incompatibility Warnings	36
9.5.1 Register Pointer Bits	36
9.5.2 Software Interrupt Acknowledge	36
<b>10 FIFO Operation</b>	37
10.1 Enabling and disabling the FIFOs	37
10.2 Accessing the FIFOs	37
10.2.1 Transmit FIFO	37
10.2.2 Receive FIFO	38

## Table of Contents

<b>10.3 SCC configuration for FIFO operation</b> .....	38
<b>10.3.1 Using channel A for both transmit and receive</b> .....	39
<b>10.3.2 Using channel B for receive</b> .....	40
<b>10.4 FIFO status and control</b> .....	41
<b>10.4.1 Interrupt status</b> .....	41
<b>10.4.2 Resetting the FIFOs</b> .....	42
<b>10.4.3 Reading current FIFO status</b> .....	42
<b>10.4.4 Controlling the FIFOs</b> .....	42
<b>10.5 Accessing the SCC while FIFOs are enabled</b> .....	42
<b>10.6 Receive pattern detection</b> .....	42
<b>10.7 Receive FIFO timeout</b> .....	44
<b>11 Communications Register</b> .....	45
<b>12 Configuration Register</b> .....	47
<b>13 Interrupt Status Register</b> .....	49
<b>14 FIFO Status Register</b> .....	50
<b>15 FIFO Control Register</b> .....	51
<b>16 Receive Pattern Character Register</b> .....	52
<b>17 Receive Pattern Count Register</b> .....	53
<b>18 Receive FIFO Timeout Register</b> .....	54
<b>19 External Connections</b> .....	55
<b>19.1 SYNCA (pin 10)</b> .....	56
<b>19.2 RING (pin 22)</b> .....	56
<b>19.3 Null-modem cables</b> .....	57
<b>20 DTE Interface Signals</b> .....	58
<b>21 Specifications</b> .....	61
<b>22 Software Troubleshooting</b> .....	62
<b>22.1 DOS Client Driver</b> .....	62
<b>22.1.1 Generic "SuperClient" Drivers</b> .....	62
<b>22.1.2 Lack of Available Resources</b> .....	62
<b>22.1.3 Multiple Configuration Attempts</b> .....	62
<b>22.1.4 Older Versions of Card and Socket Services</b> .....	62
<b>22.2 DOS Enabler</b> .....	63
<b>22.2.1 With Card and Socket Services</b> .....	63
<b>22.2.2 Socket Numbers</b> .....	63
<b>22.2.3 Memory range exclusion</b> .....	63
<b>22.3 OS/2 Client Driver</b> .....	63
<b>22.3.1 Resources Not Available</b> .....	63
<b>22.3.2 Insufficient Number Of Command Line Arguments</b> .....	63
<b>22.3.3 Bad Parameters</b> .....	64

# 1 Introduction

---

The Quatech MPAP-100 is a PCMCIA Type II (5 mm) card and is PCMCIA PC Card Standard Specification 2.1 compliant. It provides a single-channel RS-232 synchronous communication port. The base address and IRQ are configured through the PCMCIA hardware and software using utility programs provided by Quatech. There are no switches or jumpers to set.

The MPAP-100 uses a Zilog 85230-compatible Serial Communications Controller (SCC). The SCC can support asynchronous formats, byte-oriented synchronous protocols such as IBM Bisync, and bit-oriented synchronous protocols such as HDLC and SDLC. The SCC also offers internal functions such as on-chip baud rate generators, and digital phase-lock loop (DPLL) for recovering data clocking from received data streams.

Because the PCMCIA 2.1 standard does not include a direct memory access (DMA) interface, the MPAP-100 supports only interrupt-driven communications. To compensate for the lack of DMA, the MPAP-100 is equipped with 1024-byte FIFOs for transmit and receive data. The FIFOs provide for high data throughput with very low interrupt overhead.

## 1.1 System Requirements

- 16 bytes of contiguous I/O address space
- one hardware interrupt (IRQ)
- One available PCMCIA Type II socket

## **2 Hardware Installation**

---

Hardware installation for the MPAP-100 is a very simple process:

1. Insert the MPAP-100 into a vacant PCMCIA Type II adapter socket.
2. If PCMCIA Card and Socket Services and a Quatech MPAP-100 Client Driver are installed, the MPAP-100 will be configured for use automatically. Under DOS, it is also possible to use the Quatech MPAP-100 Enabler program. (Software installation and configuration is covered in other chapters of this manual.)
3. Attach the narrow connector on the supplied cable to the socket on the end of the MPAP-100. The connector is keyed so that it can only be inserted in one orientation. The connector should attach firmly and smoothly. Do not force the connector into the socket!
4. Attach the male DB-25 connector on the supplied cable to the external equipment in use.

### 3 DOS / Windows 3.x Software Installation

---

Two DOS configuration software programs are provided with the MPAP-100: a client driver and a card enabler. These programs are executed from DOS (before entering Windows) and allow operation of the MPAP-100 in both the DOS and Windows 3.x environments. Table 1 highlights the differences between these programs.

	<b>Client Driver</b>	<b>Enabler</b>
<b>File name</b>	MPAP1CL.SYS	MPAP1EN.EXE
<b>File type</b>	DOS device driver	DOS executable
<b>Interfaces to</b>	PCMCIA card and Socket Services (socket-independent)	socket controller (Intel 82365 or compatible only)
<b>Automatic configuration of MPAP-100 upon insertion (Hot Swapping)</b>	yes	no
<b>PCMCIA Card and Socket Services software required</b>	yes	no
<b>Recommendation</b>	Best for most users.	Use if Card and Socket Services software is not available and the system has an Intel 82365 or compatible socket controller.

Table 1 --- Client driver versus enabler for DOS/Windows 3.x.

**IMPORTANT**

Do not use both the client driver and the enabler!

If you are unsure whether Card and Socket Services software is currently installed on your system, install the client driver. When loaded, the client driver will display an error message if Card and Socket Services software is not detected. If you receive such an error message, remove the client driver software and install the enabler instead.



## 3.1 MPAP-100 Client Driver for DOS

In order to use the MPAP-100 client driver, the system must be configured with Card and Socket Services software. Card and Socket Services software is not provided with the MPAP-100 but is available from Quatech.

### 3.1.1 DOS client driver installation

The MPAP-100 client driver accepts between zero and eight sets of desired configurations from the user on the command line. When an MPAP-100 is inserted, desired configurations are tried in the order they appear on the command line from left to right. If the user does not provide any desired configurations, the client driver will ask Card Services to automatically determine a configuration for the card.

Each desired configuration must be enclosed in parentheses and must be separated from other desired configurations by a space on the command line. Within each desired configuration, parameters are separated using commas (no spaces). In the descriptions below, replace the '#' symbols with the appropriate numeric values.

1. Copy the file MPAP1CL.SYS from the MPAP-100 distribution diskette onto the system's hard drive.
2. Using an ASCII text editor, open the system's CONFIG.SYS file located in the root directory of the boot drive.
3. Locate the line(s) in the CONFIG.SYS file where the Card and Socket Services software is installed.
4. BELOW the line(s) installing the Card and Socket Services software, add the following line to the CONFIG.SYS file:

**DEVICE=*drive:\path*MPAP1CL.SYS (S#,B#,I#,C) ... (S#,B#,I#,C)**

where *drive:\path* specifies the drive letter and directory to which you copied the client driver file, and (S#,B#,I#,C) ... (S#,B#,I#,C) stand for a variable number of desired configurations. The configuration parameters are described below.

- S# The PCMCIA socket into which the MPAP-100 must be inserted for this configuration to be used. This value is a decimal number ranging from 0 to 15. If this parameter is not used, the configuration can apply to any socket.
- B# The base I/O address of the MPAP-100. This number must be a three-digit hexadecimal value ending in 0. If this parameter is omitted, a base address will be assigned by Card Services.
- I# The interrupt level (IRQ) of the MPAP-100. This decimal number must be one of the following values: 3, 4, 5, 7, 9, 10, 11, 12, 14, 15, or 0 if no IRQ is desired. If this parameter is omitted, an interrupt level will be assigned by Card Services.
- C Drive SYNC input of SCC channel A with the Remote Loopback bit of Communications Register (see page 39). If this parameter is omitted, the SYNC input of SCC channel A will be undefined.

5. Save the CONFIG.SYS file and exit the text editor.
6. Insert an MPAP-100 card in a PCMCIA socket, and reboot the computer. (If a card is present in a socket at boot time, the card's configuration is reported on the screen as the client driver loads. This feature can be used to verify the changes just made to the CONFIG.SYS file.)
7. If the Client Driver reports the desired configuration, the installation process is complete and the MPAP-100 may be removed from the system if desired.
8. If configuration of the card fails, the client driver will display an error message. If "Invalid command line option" is displayed, correct the entry in the CONFIG.SYS file and reboot the computer again. If "Card and Socket Services not found" is displayed, install Card and Socket Services on the system or use the enabler program instead of the client driver.

### **3.1.2 Auto Fallback configuration**

The client driver can be instructed to try desired configurations first but fallback to allowing Card Services to determine a configuration if none of the desired configurations are available. This is done by adding a null configuration "()" to the end of the command line.

### **3.1.3 Hot Swapping**

The client driver supports "hot swapping." After installation, it is not necessary for the MPAP-100 to be inserted in the PCMCIA socket at boot time. When the card is inserted, it will be configured according to the command line options. When the card is removed, the resources it used will be made available for other devices.

If the MPAP-100 is in a socket at boot time, the client driver will display a message indicating whether the card can be successfully configured and what resources will be used. This

is helpful if the user allows Card Services to select resources instead of specifying them on the command line.

## 3.2 DOS Client Driver examples

*Example: Attempt to configure an MPAP-100 inserted into any socket with a base address and IRQ automatically assigned by Card Services.*

DEVICE=C:\MPAP-100\MPAP1CL.SYS

*Example: Attempt to configure an MPAP-100 inserted into any socket with a base address of 300 hex and an IRQ assigned by Card Services. Software control of SYNCA will be enabled. If address 300 hex is unavailable, the card will not be configured.*

DEVICE=C:\MPAP-100\MPAP1CL.SYS (b300,c)

*Example: Attempt to configure an MPAP-100 inserted into socket 0 with a base address of 300 hex and IRQ 5. If address 300 hex or IRQ 5 is unavailable, the card will not be configured. In addition, if an MPAP-100 is inserted into any other socket, it will not be configured.*

DEVICE=C:\MPAP-100\MPAP1CL.SYS (s0,b300,i5)

*Example: Attempt to configure an MPAP-100 inserted into any socket with a base address of 300 hex and IRQ 5. If address 300 hex or IRQ 5 is unavailable, attempt to configure the card with a base address assigned by Card Services and IRQ 10. If IRQ 10 is also unavailable, attempt to configure the card with a base address and an IRQ assigned by Card and Socket Services.*

DEVICE=C:\MPAP-100\MPAP1CL.SYS (b300,i5) (i10) ()

*Example: Attempt to configure an MPAP-100 inserted into socket 0 with a base address of 300 hex and IRQ 5. Attempt to configure an MPAP-100 inserted into socket 1 with a base address of 340 hex and IRQ 10. This type of configuration may be desirable in systems where more than one MPAP-100 is to be installed. It allows the user to force the MPAP-100 address and IRQ settings to be socket-specific which may simplify cable connections and software development.*

DEVICE=C:\MPAP-100\MPAP1CL.SYS (s0,b300,i5) (s1,b340,i10)

### **3.3 MPAP-100 Enabler for DOS**

For systems that are not using PCMCIA Card and Socket Services software, the MPAP-100 DOS enabler may be used to enable and configure the card. The enabler will operate on any DOS system using an Intel 82365SL (PCIC) or PCIC-compatible PCMCIA socket adapter including the Cirrus Logic CL-PD6710/6720, the VLSI VL82C146, and the Vadem VG-365 among others.

#### **IMPORTANT**

The enabler can be used ONLY if Card and Socket Services is NOT installed on the system!

#### **3.3.1 DOS Enabler Installation**

To install the DOS enabler program, copy the file MPAP1EN.EXE from the MPAP-100 distribution diskette onto the system's hard drive. No setup steps are required.

#### **IMPORTANT**

The enabler requires a region of high DOS memory when configuring an MPAP-100. This region is 1000H bytes (4KB) long and by default begins at address D0000H (the default address may be changed using the "W" option). If a memory manager such as EMM386, QEMM, or 386Max is installed on the system, this region of DOS memory must be excluded from the memory manager's control. Consult the documentation provided with the memory manager software for instructions on how to exclude this memory region.

#### **3.3.2 Hot Swapping is not supported**

The MPAP-100 enabler does not support automatic configuration of adapters upon insertion, commonly referred to as "Hot Swapping". The enabler must be executed after insertion of an MPAP-100 card. If more than one MPAP-100 is installed in a system, the enabler must be executed separately for each card. A card that is removed and reinserted must be reconfigured by executing the enabler again.

#### **3.3.3 Configuring a card**

The enabler requires a single desired configuration to be provided on the command line. The card will not be configured if the desired configuration is not provided. The desired configuration must be enclosed in parentheses and it contains parameters separated using commas (no spaces). In the descriptions below, replace the '#' symbols with the appropriate numeric values.

### **MPAPIEN (S#,B#,I#,W#,C)**

- S#** The PCMCIA socket into which the MPAP-100 will be inserted. This value is a decimal number ranging from 0 to 15. This parameter is always required when configuring a card.
- B#** The base I/O address of the MPAP-100. This number must be a three-digit hexadecimal value ending in 0. This parameter is always required when configuring a card.
- I#** The interrupt level (IRQ) of the MPAP-100. This decimal number must be one of the following values: 3, 4, 5, 7, 9, 10, 11, 12, 14, 15, or 0 if no IRQ is desired. This parameter is always required when configuring a card.
- W#** **(optional)** The base address of the memory window used by the enabler. This two-digit hexadecimal number can be one of the following values: C8, CC, D0 (default), D4, D8, or DC. Use D4 for a memory window at segment D400, D8 for a memory window at segment D800, etc. If this parameter is omitted, the default setting of D000 will be used.
- C** **(optional)** Drive SYNC input of SCC channel A with the Remote Loopback bit of Communications Register (see page 39). If this parameter is omitted, the SYNC input of SCC channel A will be undefined.

If configuration is successful, the enabler will display a message showing the configuration on the screen. If the MPAP-100 is not successfully configured, then the information in this section along with the Troubleshooting chapter of this manual should be consulted to determine the cause of the problem.

### **3.3.4 Releasing a card's configuration**

Before removing a MPAP-100 from its PCMCIA socket, the enabler should be executed again to free the system resources allocated when the card was installed. Use the 'R' parameter to do this.

#### **MPAPIEN (S#,R,W#)**

- S#** The PCMCIA socket into which the MPAP-100 will be inserted. This value is a decimal number ranging from 0 to 15. This parameter is always required when releasing a card's configuration.
- R** Release the resources previously allocated to the MPAP-100. This parameter is always required when releasing a card's configuration. This option must not be used when configuring an MPAP-100.
- W#** **(optional)** The base address of the memory window used by the enabler. This two-digit hexadecimal number can be one of the following values: C8, CC, D0 (default), D4, D8, or DC. Use D4 for a memory window at segment D400, D8 for a memory window at segment D800, etc. If this parameter is omitted, the default setting of D000 will be used.

### 3.4 DOS Enabler Examples

*Example: Configure the MPAP-100 in socket 0 with a base address of 300H and IRQ 5. Software control of SYNCA will be enabled.*

MPAP1EN.EXE (s0,b300,i5,c)

*Example: Configure the MPAP-100 in socket 1 with a base address of 300H and IRQ 3 using a configuration memory window at segment D800.*

MPAP1EN.EXE (s1,b300,i3,wd8)

*Example: Release the configuration used by the MPAP-100 in socket 0.*

MPAP1EN.EXE (s0,r)

*Example: Release the configuration used by the MPAP-100 in socket 1 using a configuration memory window at segment CC00.*

MPAP1EN.EXE (s1,r,wcc)



## 4 Windows 95/98 Installation

---

Windows 95/98 maintains a registry of all known hardware installed in your computer. Inside this hardware registry Windows keeps track of all of your system resources, such as I/O locations, IRQ levels, and DMA channels. The "Add New Hardware Wizard" utility was designed to add new hardware and update this registry.

An "INF" configuration file is included with the MPAP-100 to allow easy configuration in the Windows 95/98 environment. Windows uses the "INF" file to determine the system resources required by the MPAP-100, searches for available resources to fill the boards requirements, and then updates the hardware registry with an entry that allocates these resources. The Syncdrive DLL and VxD can then be used to access the card.

### 4.1 Using the "Add New Hardware" Wizard

The following instructions provide step-by-step instructions on installing the MPAP-100 in Windows 98 using the "Add New Hardware" wizard. Windows 95 uses a similar process to load the INF file from a floppy disk with slightly different dialog boxes.

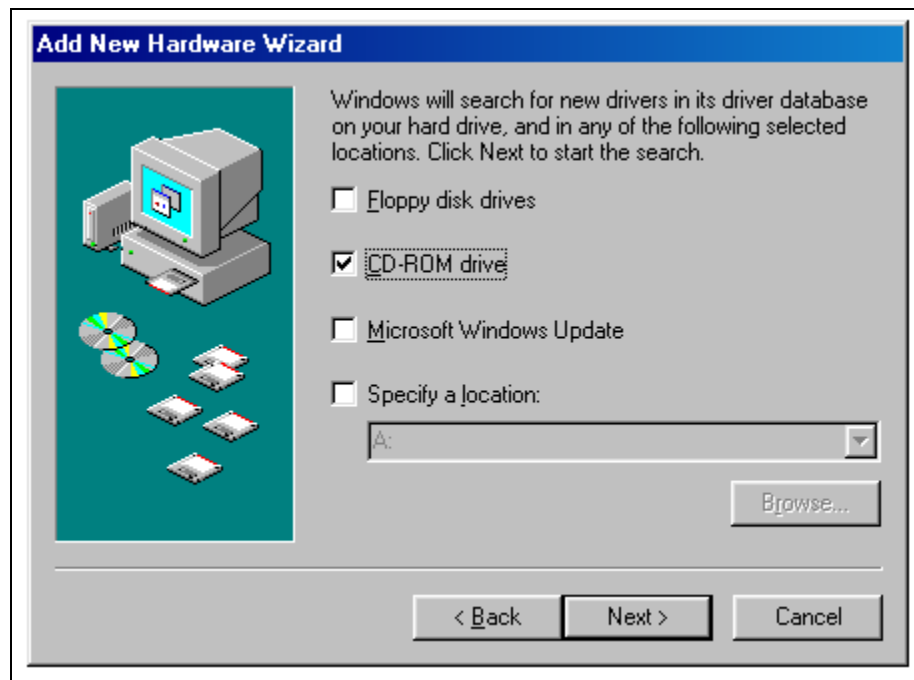
1. After inserting an MPAP-100 for the first time, the "Add New Hardware" wizard will start. Click the "Next" button.



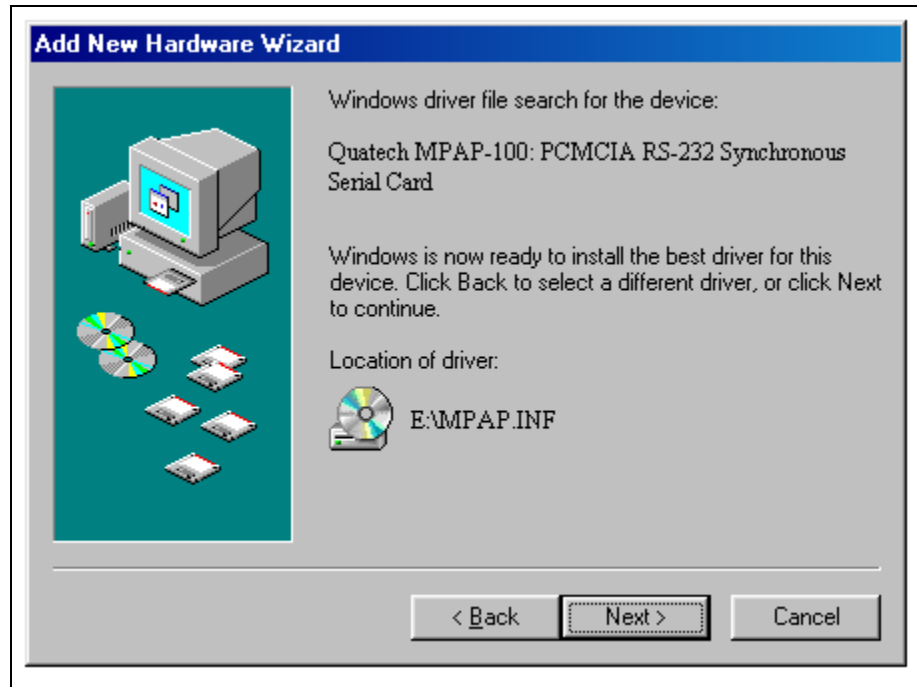
2. Click the "Next" button. Select the radio button for "Search for the best driver for your device." Click the "Next" button to continue.



3. On the next dialog, select the "CD-ROM drive" checkbox. Insert the Quatech COM CD (shipped with the card) into the CD-ROM drive. Click the "Next" button.



4. Windows should locate the INF file on the CD and display a dialog that looks like this. Click the "Next" button.



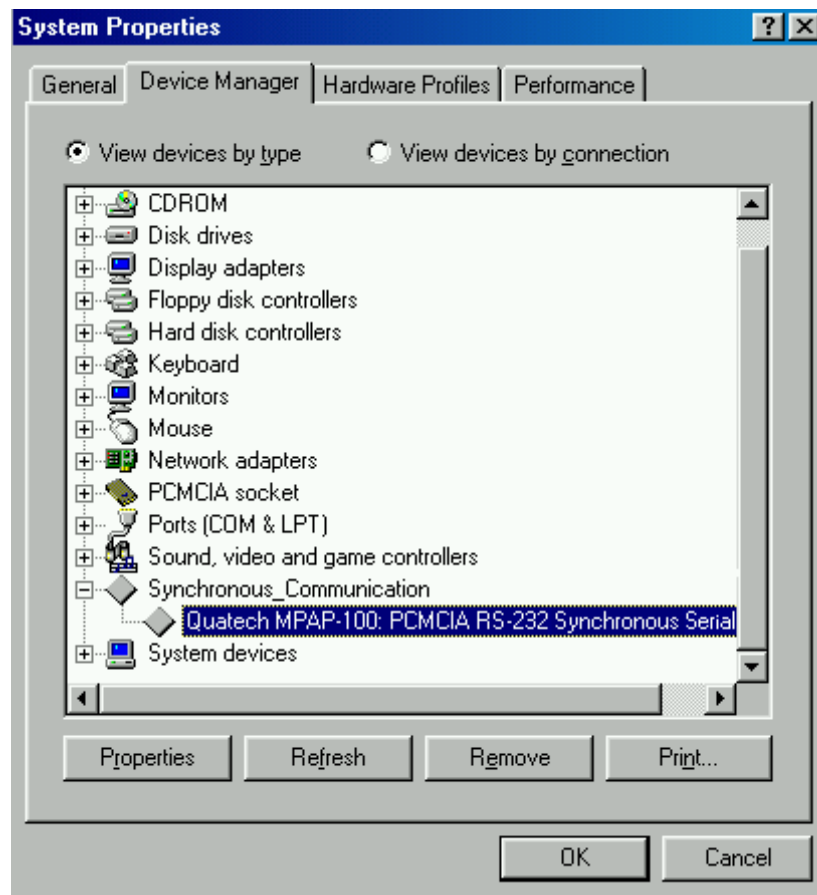
5. Windows will copy the INF file from the CD and display a final dialog indicating that the process is complete. Click the "Finish" button.



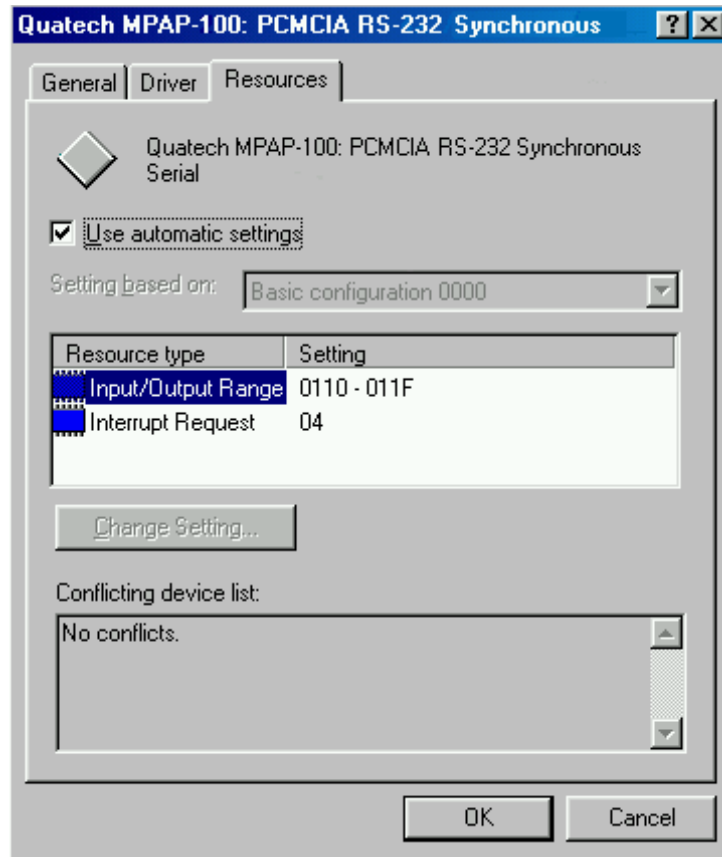
## 4.2 Viewing Resources with Device Manager

The following instructions provide step-by-step instructions on viewing resources used by the MPAP-100 in Windows 95/98 using the "Device Manager" utility.

1. Double click the "System" icon inside the Control Panel folder. This opens up the System Properties box.
2. Click the "Device Manager" tab located along the top of the System Properties box.
3. Double click the device group "Synchronous\_Communication". The MPAP-100 model name should appear in the list of adapters.



4. Double click the MPAP-100 model name and a properties box should open for the hardware adapter.
5. Click the "Resources" tab located along the top of the properties box to view the resources Windows has allocated for the MPAP-100 match the hardware configuration. Click "Cancel" to exit without making changes.



6. If changes to the automatic configuration are necessary for compatibility with existing programs, uncheck the "Use Automatic Settings" box and doubleclick on the Resource Type that needs to be changed. Caution should be used to avoid creating device conflicts with other hardware in the system.

### 4.3 Configuration Options

If the "Use Automatic Settings" box is unchecked, various options can be enabled by selecting a different basic configuration in the "Setting based on" dropdown box. (Revision B5 hardware and later only.)

- 0000 Factory default. Suggested for nearly all customers.
- 0001 Drive SYNC input of SCC channel A with the Remote Loopback bit of Communications Register (see page 39). Otherwise the SYNC input is undefined.
- 0002 Reserved. DO NOT USE!
- 0003 Reserved. DO NOT USE!
- 0004 Memory-mapped mode with no IRQ. Not suggested for use.

## 5 OS/2 Software Installation

---

An OS/2 client driver is provided with the MPAP-100. This client driver works with OS/2's Card and Socket Services to allow operation of the MPAP-100 under OS/2.

### 5.1 System Requirements

- OS/2 2.1 or later.
- OS/2 PCMCIA Card and Socket Services support must be installed. See "Installing OS/2 PCMCIA support" below if you do not already have this support installed.

### 5.2 OS/2 Client Driver Installation

The MPAP-100 OS/2 client driver requires desired configurations from the user on the command line. If no desired configurations are provided by the user, the client driver will NOT ask Card Services to attempt to determine a hardware configuration for the card.

The client driver will attempt to configure an MPAP-100 with the first available configuration listed from left to right on the command line. Each desired configuration must be enclosed in parentheses and must be separated from other desired configurations by a space on the command line. Within each desired configuration, the parameters are separated using commas (no spaces).

1. Copy the MPAP100.SYS client driver file from the distribution disk to any convenient directory on the hard disk.
2. Open the CONFIG.SYS file using any ASCII text editor.
3. Add the following line to the CONFIG.SYS file:

**DEVICE=*drive:\path*\MPAP100.SYS (addr,irq,C) ... (addr,irq,C)**

where *drive:\path* specifies the drive letter and directory to which you copied the client driver file, and **(addr,irq,C) ... (addr,irq,C)** stand for a variable number of desired configurations. The configuration parameters are described below.

- addr **(required)** The base I/O address of the MPAP-100. This number must be a three-digit hexadecimal value ending in 0.
- irq **(required)** The interrupt level (IRQ) of the MPAP-100. This decimal number must be one of the following values: 3, 4, 5, 7, 9, 10, 11, 12, 14, 15, or 0 if no IRQ is desired.
- C **(optional)** Drive SYNC input of SCC channel A with the Remote Loopback bit of Communications Register (see page 39). If this parameter is omitted, the SYNC input of SCC channel A will be undefined.

4. Save the CONFIG.SYS file, exit the text editor, shutdown the system, and reboot to activate the changes.

### **5.2.1 Tying a configuration to a particular socket**

A configuration can be made specific to a socket by appending "=Sx" after the closing parenthesis, where "X" is the desired socket number.

### **5.2.2 Auto Fallback configuration**

OS/2 Card Services is capable of automatically determining a configuration for a PCMCIA device, but due to limitations in Quatech's "Syncdrive" driver software, the client driver does not support this feature. This support is planned for a future release of both the client driver and Syncdrive.

### **5.2.3 Hot Swapping**

The client driver supports "hot swapping." After installation, it is not necessary for the MPAP-100 to be inserted in the PCMCIA socket at boot time. When the card is inserted, it will be configured according to the command line options. When the card is removed, the resources it used will be made available for other devices.

### 5.3 OS/2 Client Driver Configuration Examples

*Example: Configure the MPAP-100 at base address 300 hex and IRQ 5. Configuration will fail if any of these resources are already in use. Only one MPAP-100 can be used.*

DEVICE=C:\MPAP-100\MPAP100.SYS (300,5)

*Example: Configure the MPAP-100 at base address 300 hex and IRQ 5. Configuration will fail if any of these resources are already in use. Only one MPAP-100 can be used. Additionally, allow software control of the SYNC input of SCC channel A.*

DEVICE=C:\MPAP-100\MPAP100.SYS (300,5,C)

*Example: Configure the MPAP-100 at base address 300 hex and IRQ 5. If any of these resources are not available, the second choice is to configure the MPAP-100 at base address 110 hex and IRQ 15. Up to two MPAP-100s can be used.*

DEVICE=C:\MPAP-100\MPAP100.SYS (300,5) (110,15)

*Example: If an MPAP-100 is inserted into socket 1, configure it at base address 300 hex and IRQ 5. If any of these resources are not available, the card will not be configured. If an MPAP-100 is inserted into socket 2, configure it at base address 110 hex and IRQ 15. If any of these resources are not available, the card will not be configured. Up to two MPAP-100s can be used.*

DEVICE=C:\MPAP-100\MPAP100.SYS (300,5)=S1 (110,15)=S2

### 5.4 Monitoring The Status Of PCMCIA Cards

OS/2 Warp provides a utility called "Plug and Play for PCMCIA" that can be used to monitor the status of each PCMCIA socket. In OS/2 2.1, this utility is called "Configuration Manager". Under OS/2 Warp 4.0, when an MPAP-100 is inserted, the Card Type for the appropriate socket will display "I/O." Clicking on the "Card" icon brings up a dialog where the name displayed for the card can be changed to "Quatech MPAP-100" or any other desired name.

Under releases of OS/2 older than Warp 4.0, the default Card Type displayed may not read "I/O," but the card should be configured properly by the client driver.

If the card is successfully configured, the Card Status will display "Ready". If the card cannot be configured, the Card Status will be "Not Ready". You can view the resources claimed by a configured card by double-clicking on that card's line or status icon.

### 5.5 Installing OS/2 PCMCIA Support



If PCMCIA support was not selected when OS/2 was installed, add it by using the Selective Install facility in the System Setup folder. Full PCMCIA support is built into OS/2 Warp 3.0 and later. On OS/2 2.1 and 2.11, PCMCIA Card Services is built in, but you must add Socket Services separately.

## 6 Using the MPAP-100 with Syncdrive

---

Syncdrive is a synchronous communications software driver package designed to aid users of Quatech synchronous communication hardware in the development of their application software. Syncdrive is included free of charge with all Quatech MPA-series synchronous communication products. The MPAP-100 is backward-compatible with software written for Quatech ISA-bus synchronous adapters and it operates with Syncdrive.

Syncdrive, however, is not aware of the plug-and-play nature of PCMCIA cards. A Syncdrive application will expect to see the MPAP-100 at a specific base address and a specific IRQ. When using Syncdrive with PCMCIA cards, it is necessary to obtain the base address and IRQ assigned to the card by the PCMCIA Card Services and provide those values in the channel configuration array.

For DOS, Windows 3.1, or OS/2, the client driver or enabler supplied with the card must be used to configure the MPAP-100 with the settings expected by the Syncdrive application before the application tries to use the card.

Under Windows 95/98, the card is automatically configured. To find the settings, click the right mouse button on the My Computer icon and select Properties. Select the Device Manager tab and double-click the card's entry under the "Synchronous Communication" section. Select the Resources tab to see the card's base address and IRQ. Use these settings with the Syncdrive application. Windows 95/98 may allow changes to the settings if the "Use Automatic Settings" box is unchecked.

Syncdrive does not receive notifications of card insertion or card removal events. Therefore it cannot support hot swapping without the user taking some kind of action to force the Syncdrive application to initialize a newly-inserted card.

A future release of Syncdrive may permit automatic configuration by retrieving hardware settings from the MPAP-100 client driver. For now, the user should consider the client driver to be a replacement for jumper settings; it sets the card in a predetermined configuration before the Syncdrive application is started.

## 7 Addressing

---

The MPAP-100 occupies a continuous 16-byte block of I/O addresses. For example, if the base address is set to 300 hex, then the MPAP-100 will occupy address locations 300 hex to 30F hex. If the computer in which the MPAP-100 is installed is running PCMCIA Card and Socket Services, the base address is set by the client driver. If PCMCIA Card and Socket Services are not being used, the base address is set by the MPAP-100 enabler program.

The first four bytes of address space on the MPAP-100 contain the internal registers of the SCC. Other Quatech architecture-specific registers occupy eight more bytes. The remainder of the address space is reserved for future use. The MPAP-100 address map is shown in Table 2.

Address	Register Description
Base + 0	SCC Data Port, Channel A
Base + 1	SCC Control Port, Channel A
Base + 2	SCC Data Port, Channel B
Base + 3	SCC Control Port, Channel B
Base + 4	Communications Register
Base + 5	Configuration Register
Base + 6	Reserved
Base + 7	Reserved
Base + 8	Interrupt Status Register
Base + 9	FIFO Status Register
Base + A	FIFO Control Register
Base + B	Receive Pattern Character Register
Base + C	Receive Pattern Count Register
Base + D	Receive FIFO Timeout Register
Base + E	Reserved
Base + F	Reserved

Table 2 --- MPAP-100 Address Assignments

Information on the internal registers of the SCC can be found in Table 3 and Table 4 and in the technical reference manuals available from Zilog. The other onboard registers are fully described in subsequent chapters of this manual.

## 8 Interrupts

---

The MPAP-100 will operate using the interrupt level (IRQ) assigned by the PCMCIA system. Interrupts can come from the SCC, the external FIFOs or RS-232 test mode. The interrupt source is selected by bits 4 and 5 of the Configuration Register (see page 41).

When using interrupts with the MPAP-100, the application must have an interrupt service routine (ISR). There are several things that an ISR must do to allow proper system operation:

1. If the external FIFOs are enabled, read the Interrupt Status Register (see page 43) to determine whether the interrupt was caused by a FIFO event or by the SCC.
2. If the TX\_FIFO bit is set, at least 512 bytes can be written to the Tx FIFO. If the RX\_FIFO bit is set, at least 512 bytes can be read from the Rx FIFO. I/O block move instructions may be useful. Check the FIFO Status Register (see page 44) after servicing the FIFO(s) to see if further FIFO service is required.
3. If the SCC bit is set, do an SCC software interrupt acknowledge by reading Read Register 2 in channel B of the SCC. The value read can also be used to vector to the appropriate part of the ISR.
4. Service the SCC interrupt by reading the receiver buffer, writing to the transmit buffer, issuing commands to the SCC, etc.
5. Write a Reset Highest Interrupt Under Service (IUS) command to the SCC by writing 0x38 to Write Register 0.
6. Check for other interrupts pending in the SCC by reading Read Register 3. Perform further interrupt servicing if necessary.
7. For applications running under DOS, a nonspecific End of Interrupt must be submitted to the interrupt controller. For Interrupts 2-7 this is done by writing a 0x20 to port 0x20. For Interrupts 10-12, 14 and 15 this is done by writing a 0x20 to port 0x60, then a 0x20 to port 0x20 (due to the interrupt controllers being cascaded). Device drivers running under other operating systems may have varying requirements concerning the End of Interrupt command.

For further information on these subjects or any others involving the SCC contact Zilog for a complete technical manual.

## 9 SCC General Information

---

The Serial Communications Controller (SCC) is a dual channel, multi-protocol data communications peripheral. The MPAP-100 provides a single channel for communications, however, portions of the second channel can be utilized to support some special circumstances. The SCC can be configured to satisfy a wide variety of serial communications applications. Some of its protocol capabilities include:

### **SDLC/HDLC (Bit Synchronous) Communications**

- Abort sequence generation and checking
- Automatic zero insertion and deletion
- Automatic flag insertion between messages
- Address field recognition
- I-field residue handling
- CRC generation and detection
- SDLC loop mode with EOP recognition/loop entry and exit

### **Byte-oriented Synchronous Communications**

- Internal/external character synchronization
- 1 or 2 sync characters in separate registers
- Automatic Cyclic Redundancy Check (CRC) generation/detection

### **Asynchronous Communications**

- 5, 6, 7, or 8 bits per character
- 1, 1-1/2, or 2 stop bits
- Odd, even, or no parity
- Times 1, 16, 32, or 64 x clock modes
- Break generation and detection
- Parity, overrun and framing error detection

### **NRZ, NRZI, or FM encoding/decoding**

## 9.1 Accessing the registers

The mode of communication desired is established and monitored through the bit values of the internal read and write registers. The register set of the SCC includes 16 write registers and 9 read registers. These registers only occupy four address locations, which start at the MPAP-100's physical base address that is configured via the on board switches. This and all other addresses are referenced from this base address in the form Base+Offset. An example of this is Base+1 for the SCC Control Port, Channel A.

There are two register locations per SCC channel, a data port and a control port. Accessing the internal SCC registers is a two step process that requires loading a register pointer to perform the addressing to the correct data register. The first step is to write to the control port the operation and address for the appropriate channel. The second step is to either read data from or write data to the control port. The only exception to this rule is when accessing the transmit and receive data buffers. These registers can be accessed with the two step process described or with a single read or write to the data port. The following examples illustrate how to access the internal registers of the SCC. Table 3 on page 26 describes the read registers and Table 4 on page 27 describes the write registers for each channel.

The MPAP-100 has been designed to assure that all back to back access timing requirements of the SCC are met without the need for any software timing control. The standard of adding jmp \$+2 between I/O port accesses is not required when accessing the MPAP-100.

Example 1: Enabling the transmitter on channel A.

```
mov    dx, base      ; load base address
add    dx, ContA     ; add control reg A offset (1)
mov    al, 05H       ; write the register number
out    dx, al
mov    al, 08H       ; write the data to the register
out    dx, al
```

Example 2: Monitoring the status of the transmit and receive buffers in RR0 of Channel A. Register 0 is addressed by default if no register number is written to WR0 first.

```
mov    dx, base      ; load base address
add    dx, ContA     ; add control reg A offset (1)
in     ax, dx        ; read the status
```

Example 3: Write data into the transmit buffer of channel A.

```
mov dx, base ; load base address
out dx, al ; write data in ax to buffer
```

Example 4: Read data from the receive buffer of channel A.

```
mov dx, base ; load base address
in al, dx ; write data in ax to buffer
```

RR0	Transmit, Receive buffer statuses and external status
RR1	Special Receive Condition status, residue codes, error conditions
RR2	Modified Channel B interrupt vector and Unmodified Channel A interrupt vector
RR3	Interrupt Pending bits
RR6	LSB of frame byte count register
RR7	MSB of frame byte count and FIFO status register
RR8	Receive buffer
RR10	Miscellaneous status parameters
RR12	Lower byte of baud rate time constant
RR13	Upper byte of baud rate time constant
RR15	External/Status interrupt information

Table 3 --- SCC read register description

The SCC can perform three basic forms of I/O operations: polling, interrupts, and block transfer. Polling transfers data, without interrupts, by reading the status of RR0 and then reading or writing data to the SCC buffers via CPU port accesses. Interrupts on the SCC can be sourced from the receiver, the transmitter, or External/Status conditions. At the event of an interrupt, Status can be determined, then data can be written to or read from the SCC via CPU port accesses. Further information on this subject is found on page 23. For block transfer mode, DMA transfers are used, so this type of operation is not supported on the MPAP-100.

The SCC incorporates additional circuitry supporting serial communications. This circuitry includes clocking options, baud rate generator (BRG), data encoding, and internal loopback. The SCC may be programmed to select one of several sources to provide the transmit and receive clocks. These clocks can be programmed in WR11 to come from the RTxC pin, the TRxC pin, the output of the BRG, or the transmit output of the DPLL. The MPAP-100 uses the TRxC pin for its clock-on-transmit and the RTxC pin for its clock-on-receive. Programming of the clocks should be done before enabling the receiver, transmitter, BRG, or DPLL.

WR0	Command Register, Register Pointer, CRC initialization, and resets for various modes
-----	--

WR1	Interrupt control, Wait/DMA request control
WR2	Interrupt vector
WR3	Receiver initialization and control
WR4	Transmit/Receive miscellaneous parameters and codes, clock rate, stop bits, parity
WR5	Transmitter initialization and control
WR6	Sync character (1st byte) or SDLC address field
WR7	Sync character (2nd byte) or SDLC Flag
WR7'	Special HDLC Enhancement Register
WR8	Transmit buffer
WR9	Master interrupt control and reset
WR10	Miscellaneous transmitter/receiver control bits, NRZI, NRZ, FM coding, CRC reset
WR11	Clock mode and source control
WR12	Lower byte of baud rate time constant
WR13	Lower byte of baud rate time constant
WR14	Miscellaneous control bits: baud rate generator, DPLL control, auto echo
WR15	External/Status interrupt control

Table 4 --- SCC write register description

For complete information regarding the SCC registers please refer to Zilog's Z85230 technical manual.



## 9.2 Baud Rate Generator Programming

The baud rate generator (hereafter referred to as the BRG) of the SCC consists of a 16-bit down counter, two 8-bit time constant registers, and an output divide-by-two. The time constant for the BRG is programmed into WR12 (least significant byte) and WR13 (most significant byte). The equation relating the baud rate to the time constant is given below while Table 5 shows the time constants associated with a number of popular baud rates when using the standard MPAP-100 9.8304 MHz clock.

$$Time\_Const = \frac{Clock\_Frequency}{2 * Baud\_Rate * Clock\_Mode} - 2$$

Where: Clock\_Frequency = 9.8304 x 10<sup>6</sup>  
 Clock\_Mode = 1, 16, 32, or 64  
 Baud\_Rate = desired baud rate

Baud Rate	Time Constant	
38400	126	007E (hex)
19200	254	00FE (hex)
9600	510	01FE (hex)
4800	1022	03FE (hex)
2400	2046	07FE (hex)
1200	4094	0FFE (hex)
600	8190	1FFE (hex)
300	16382	3FFE (hex)

(for Clock\_Frequency = 9.8304 MHz )

Table 5 --- time constants for common baud rates

## 9.3 SCC Data Encoding Methods

The SCC provides four different data encoding methods, selected by bits 6 and 5 in WR10. These four include NRZ, NRZI, FM1 and FM0. The SCC also features a digital phase-locked loop (DPLL) that can be programmed to operate in NRZI or FM modes. Also, the SCC contains two features for diagnostic purposes, controlled by bits in WR14. They are local loopback and auto echo.

For further information on these subjects or any others involving the SCC contact Zilog for a complete technical manual.

## 9.4 Support for SCC Channel B

The MPAP-100 is a single-channel device. Portions of SCC channel B are used to augment channel A. Channel B cannot be used for transmit, but may be used for receive, subject to certain limitations.

#### **9.4.1 Receive data and clock signals**

The receive data signals RXDA and RXDB are tied together. The receive clock input signals RTxCA and RTxCB are also tied together. This can be useful in unusual applications. It would be possible to run the receiver and transmitter at different baud rates, using channel B's baud rate generator and receiver for the received data. Of course, the channel A transmitter and receiver can be run at different speeds simply by having external data clocks supplied to TRxCA and RTxCA from the cable.

The W/REQB signal is used to generate DMA requests between the SCC and the external FIFOs if channel B is used for receive.

#### **9.4.2 Extra clock support for channel A**

The TRxCB clock output can be routed back to RTxCA as another way to use the channel B baud rate generator to derive an independent clock for the channel A receiver. This is controlled by the RCKEN bit in the Communications Register (see page 39).

#### **9.4.3 Extra handshaking for channel A**

The SCC does not provide a DSR input for either channel. The MPAP-100 routes the DSR signal from the connector to the DCDB input of the SCC. Software can therefore use DCDB as a surrogate for DSR on channel A.

#### **9.4.4 Other signals are not used**

All channel B signals not listed above are not available at the connector. The CTSB and SYNCB inputs are tied to their inactive states. The TXDB, DTR/REQB, and RTSB outputs are left open.

## 9.5 SCC Incompatibility Warnings

Due to the SCC implementation used by the MPAP-100, there are two minor incompatibilities that the software programmer must avoid.

### 9.5.1 Register Pointer Bits

In a Zilog 85230, the control port register pointer bits can be set in either channel. With the implementation on the MPAP-100, however, both parts of an SCC control port access must use the same I/O address.

#### **IMPORTANT**

The programmer must be certain not to mix channel usage during the two-part access of SCC control ports. It would be highly irregular for code to be written in such fashion, so this restriction is not expected to be burdensome.

The following sequences will work:

Write Control Port A            (set pointer bits for desired register)  
Read or Write Control Port A (read or write desired channel A register)

Write Control Port B            (set pointer bits for desired register)  
Read or Write Control Port B        (read or write desired channel B register)

The following sequences will NOT work:

Write Control Port A            (set pointer bits for desired register)  
Read or Write Control Port B (read or write desired channel B register)

Write Control Port B            (set pointer bits for desired register)  
Read or Write Control Port A        (read or write desired channel A register)

### 9.5.2 Software Interrupt Acknowledge

The 85230's software interrupt acknowledge mechanism is not supported. Bit 5 of Write Register 9 (Software INTACK Enable) is forced to 0. Software must employ the "Interrupt Without Acknowledge" interrupt method using Read Registers 2 and 3 to process interrupts.

## 10 FIFO Operation

---

The MPAP-100 is equipped with 1024-byte external FIFOs in the transmit and receive data paths. These FIFOs are implemented as extensions of the SCC's small internal FIFOs. They have been designed to be as transparent as possible to the software operating the MPAP-100. By using these FIFOs, it is possible to achieve high data rates despite the MPAP-100 not supporting DMA.

**The FIFOs are disabled by default after card insertion, power-up, or a socket reset.**

### 10.1 Enabling and disabling the FIFOs

The FIFOs must be enabled or disabled as a pair. It is not possible to operate only the transmit FIFO or only the receive FIFO. The FIFOs are enabled by setting bit 2 of the Configuration Register to a logic 1. The FIFOs are disabled by clearing the same bit.

### 10.2 Accessing the FIFOs

When the FIFOs are enabled, they are accessed through either the channel A or channel B SCC Data Port address. Writing to Base+0 or Base+2 will cause a byte to be written into the transmit FIFO. Reading from Base+0 or Base+2 will cause a byte to be read from the receive FIFO.

The FIFOs cannot be accessed if they are disabled. If the FIFOs are disabled, reads or writes of the SCC Data Ports access the receive or transmit register of the appropriate SCC channel. Any control port writes of SCC write register 8 (transmit buffer) or control port reads of SCC read register 8 (receive buffer) directly access the SCC, whether the FIFOs are enabled or not.

#### 10.2.1 Transmit FIFO

The transmit FIFO always services the transmitter of channel A of the SCC. If the FIFOs are enabled, an I/O write to either SCC Data Port (channel A or channel B) will write a byte to the transmit FIFO. If the FIFOs are not enabled, an I/O write to the SCC Data Port will instead write directly to the internal transmit buffer of the specified channel of the SCC.

## **10.2.2 Receive FIFO**

The receive FIFO can service the receiver of either channel A or channel B of the SCC. If RXSRC (bit 1) of the Configuration Register (see page 41) is logic 1, the receive FIFO will service SCC channel B. If RXSRC is logic 0, the receive FIFO will service SCC channel A.

If the FIFOs are enabled, an I/O read from either SCC Data Port (channel A or channel B) will read a byte from the receive FIFO. If the FIFOs are not enabled, an I/O read from the SCC Data Port will instead read directly from the internal receive buffer of the specified channel of the SCC.

## **10.3 SCC configuration for FIFO operation**

The interface between the SCC and the external FIFOs uses the SCC's DMA request functions. The SCC must therefore be configured for DMA operation in order to use the external FIFOs. In order to properly configure the SCC, certain bits in various SCC registers need to be set in a specific manner, as shown on the following pages.

Because the data transfer between the FIFOs and the SCC is controlled entirely by hardware, per-character transmit and receive interrupts should be disabled. Interrupts on transmit underruns and/or special receive conditions should usually be enabled so that end-of-frame conditions can be detected.

### **IMPORTANT**

The DMA operation described in this section is between the SCC and the external FIFOs, and is handled entirely by the MPAP-100 hardware.

DMA is not supported between the MPAP-100 and the host computer due to the lack of DMA facilities on the PCMCIA bus.

The MPAP-100 is a single-channel device. Accordingly, most applications will use SCC channel A for both transmit and receive operations. It is possible, however, to use a limited portion of SCC channel B for receive operations (see page 29). The channel used for receive will determine how the SCC must be configured.

**Do not enable the FIFOs until the SCC has been properly configured for DMA operation!**

### 10.3.1 Using channel A for both transmit and receive

This is the mode in which most applications will run. Set RXSRC (bit 1) in the Configuration Register to logic 0. This will configure the MPAP-100 to use W/REQA for receive DMA and DTR/REQA for transmit DMA. In addition to any other desired SCC configuration, ensure that the following bits are set according to Table 6:

Register	Bit(s)	Value	Function
WR1A	7	1	Enable DMA request on W/REQA. This bit should be set after the other bits in WR1 are set as desired.
	6	1	Set W/REQA for DMA Request mode.
	5	1	Use W/REQA for receive.
	4-3	11 or 00	Enable receive interrupts on special conditions only (recommended), or disable them completely.
	1	0	Disable transmit interrupts.
WR14A	2	1	Enable DMA request-on-transmit on DTR/REQA.
WR15A	0	1	Enable WR7A'.
WR7A'	5	0	Assert transmit DMA request when entry location of internal FIFO is empty.
	4	1	Set DTR/REQA for W/REQA timing.

Table 6 --- Configuring the SCC for FIFO use with channel A only

### 10.3.2 Using channel B for receive

The MPAP-100 supplies only limited support for SCC channel B. This mode, therefore, is not recommended for most applications. Set RXSRC (bit 1) in the Configuration Register to logic 1. This will configure the MPAP-100 to use W/REQA for transmit DMA and W/REQB for receive DMA. In addition to any other desired SCC configuration, ensure that the following bits are set according to Table 7:

Register	Bit(s)	Value	Function
WR1A	7	1	Enable DMA request on W/REQA. This bit should be set after the other bits in WR1 are set as desired.
	6	1	Set W/REQA for DMA Request mode.
	5	0	Use W/REQA for transmit.
	1	0	Disable transmit interrupts.
WR14A	2	0	Disable DMA request-on-transmit on DTR/REQA.
WR15A	0	1	Enable WR7A'.
WR7A'	5	0	Assert transmit DMA request when entry location of internal FIFO is empty.
WR1B	7	1	Enable DMA request on W/REQB. This bit should be set after the other bits in WR1 are set as desired.
	6	1	Set W/REQB for DMA Request mode.
	5	1	Use W/REQB for receive.
	4-3	11 or 00	Enable receive interrupts on special conditions only (recommended), or disable them completely.

Table 7 --- Configuring the SCC for Rx DMA on channel B

## 10.4 FIFO status and control

Several registers are used to control the FIFOs and monitor their status. These registers are detailed in other chapters of this manual.

### 10.4.1 Interrupt status

Three interrupt statuses, listed in Table 8, can be generated by four events related to FIFO activity. In each case, a latched bit in the Interrupt Status Register is set to a logic 1 (see page 43). These bits are write-clear, meaning that software must write a 1 to a bit in order to clear it.

#### **IMPORTANT**

FIFO-related interrupts will occur only when the MPAP-100 interrupt source is set to INTSCC. See Table 10 on page 41 for details.

Event	Interrupt Status Register Bit	Comment
Transmit FIFO drained past the half-full mark	TX_FIFO (bit 1)	Software can write at least 512 bytes to the transmit FIFO.
Receive FIFO filled past the half-full mark	RX_FIFO (bit 2)	Software can read at least 512 bytes from the receive FIFO.
Receive data timeout with non-empty FIFO		Software can read bytes from the receive FIFO until the FIFO is empty.
Special receive pattern detected	RX_PAT (bit 3)	Software can read data from the receive FIFO as desired.

Table 8 --- FIFO-related interrupt statuses

#### **IMPORTANT**

Software can differentiate between the two types of RX\_FIFO interrupts by examining the RXH bit in the FIFO Status Register. If RXH is clear (logic 0), the interrupt occurred because of a timeout.



### **10.4.2 Resetting the FIFOs**

The FIFOs are automatically disabled and reset at powerup or when the MPAP-100 is inserted into a PCMCIA socket. The transmit and receive FIFOs can also be independently reset by setting and clearing the appropriate bits in the FIFO Control Register. Resetting a FIFO sets the appropriate FIFO empty status bit and resets the FIFO's internal read and write pointers. The SCC's internal FIFOs are not affected when the external FIFOs are reset.

**The external FIFOs cannot be reset while they are enabled!** FIFO reset commands will be ignored if the external FIFOs are enabled.

### **10.4.3 Reading current FIFO status**

The FIFO Status Register is a read-only register which always indicates the current status of both the transmit and receive external FIFOs. Each FIFO can be checked for empty, full, and half-full (or more) status at any time. For details, see Table 12 on page 44.

### **10.4.4 Controlling the FIFOs**

The FIFO Control Register is a read-write register which can be used to reset either or both the receive and transmit external FIFOs. Receive pattern detection and receive FIFO timeout modes are also controlled with this register. For details, see Table 13 on page 45.

## **10.5 Accessing the SCC while FIFOs are enabled**

The SCC channel A and channel B control port registers are always accessible regardless of whether the external FIFOs are enabled or disabled. While the FIFOs are enabled, SCC data port accesses are redirected to the FIFOs. Access to the SCC's transmit or receive registers while the FIFOs are enabled is possible indirectly by using the control port and register 8. Any writes of SCC Write Register 8 (transmit buffer) or reads of SCC Read Register 8 (receive buffer) will bypass the external FIFOs.

## **10.6 Receive pattern detection**

The external FIFOs are most useful in bit-synchronous operational modes because the SCC can generate a Special Condition interrupt when the closing flag of a bit-synchronous frame is received. This allows the SCC to run with per-character receive interrupts disabled while DMA transfers occur between the SCC and external FIFOs.

Byte-synchronous modes such as bisync, however, do not benefit from such a hardware assist for detecting the end-of-frame condition. On the contrary, with byte-oriented protocols it is usually necessary to check each byte received against a table of special function codes (e.g. SYNC, PAD, SDI, STX, EDI, ETX, etc.) to determine where data and frames begin and end. Unless the frames are of a fixed length, it is therefore difficult to use DMA with byte-synchronous modes. This would seem to preclude the use of the MPAP-100's external FIFOs with byte-oriented protocols.

To make the external FIFOs more useful in byte-synchronous modes, the MPAP-100 can watch for a given character to be transferred consecutively a specific number of times from the SCC into the receive FIFO. When this occurs, the RX\_PAT bit in the Interrupt Status Register (see page 43) is set. For instance, the MPAP-100 can watch for the end-of-text character to be received, or for three consecutive pad characters to be received.

For byte-synchronous operation with simple unique markers in the data stream, this feature may be quite useful. Even if it is not, however, the MPAP-100 can certainly be operated with per-character interrupts enabled and the external FIFOs disabled. The tradeoff will be a heavier interrupt burden and possibly somewhat lower throughput.

**NOTE**

While most useful in byte-synchronous modes, the receive pattern detection feature can be used in any operational mode.

## 10.7 Receive FIFO timeout

With asynchronous operational modes, the same problem exists. Namely, how is one to determine when a reception is complete? While the receive pattern detection may be useful here, the MPAP-100 also offers a timeout feature on the external receive FIFO.

If the external FIFO is not empty and a time interval equal to a specified number of character-times has elapsed without any further data being received, a receive FIFO interrupt is generated and RX\_FIFO bit in the Interrupt Status Register (see page 43) is set. A character-time is approximated by counting eight ticks of the bit clock.

To use this feature, the receive clock must be output on TRxCA. It can come from either an external source or from the channel A baud rate generator. While the RTxCA signal is typically used for a receive clock, it is not capable of being an output, so the TRxCA signal must be used instead. Depending on the application, this may force the transmit and receive clocks to be the same. For most asynchronous applications, this should not pose a problem.

## 11 Communications Register

The Communications Register is used to set options pertaining to the clocks. The source and type of clock to be transmitted or received can be specified. External synchronization and RS-232 DTE test modes and can also be controlled with this register. The address of the Communications Register is Base+4. Table 9 details its bit definitions.

Bit 7	Bit 6	Bit 5	Bit 4	Bit 3	Bit 2	Bit 1	Bit 0
TM ST	EXTSYNC	LLEN	RLEN or SW_SYNC	RCKEN	TCKEN	0	0

Table 9 --- Communications Register - Read/Write

- Bit 7: TM ST --- Test Mode Status:**  
This bit can be used to read the status of the Test Mode signal on a DTE, allowing the user to monitor the signal without generating any interrupts.
- Bit 6: EXTSYNC --- External Sync Enable:**  
If this bit is set (logic 1), software-controlled sync is disabled and the SCC's SYNCA input is driven by the signal coming on pin 10 of the DB-25 connector.
- Bit 5: LLEN --- Local Loopback Enable:** When set (logic 1), this bit allows the DTE to test the functioning of the DTE/DCE interface and the transmit and receive sections of the local DCE. The DCE device must support local loopback for this to work. When cleared (logic 0), no testing occurs. LLEN can also be used as a software-controlled general-purpose output.
- Bit 4: RLEN --- Remote Loopback Enable:** **SW\_SYNC**  
--- **Software Sync On:** When the 'C' option is used with the client driver or enabler, this bit functions as SW\_SYNC, otherwise it functions as RLEN.  
**RLEN**  
('C' option not used) If this bit is set (logic 1), the DTE can test the transmission path through the remote DCE to the remote DTE interface and the return transmission path. The remote device must support remote loopback for this to work. When cleared (logic 0), no testing occurs.  
**SW\_SYNC ('C' option is used)**  
This bit is used to drive the active-low SYNC input of the channel A receiver. The SYNC signal is asserted when this bit is set (logic 1), and is deasserted when this bit is clear (logic 0). This is useful in situations where it is necessary to

receive unformatted serial data, as it allows the SCC receiver to be manually placed into sync under program control. This bit is ignored if bit 6 is set (logic 1).

**Bit 3: RCKEN --- Receive Clock Source:** When set (logic 1), this bit allows the receive clock (RCLK) signal to be generated by the TRxC pin on channel B of the SCC. When cleared (logic 0), RCLK is received on pin 17 of the DB-25 connector. In either case, RCLK is always transmitted on pin 11 of the DB-25 connector.

**Bit 2: TCKEN --- Transmit Clock Source:** When set (logic 1), this bit allows the transmit clock (TCLK) to be generated by the TRxC pin on channel A of the SCC. When cleared (logic 0), the DTE receives TCLK on pin 15 of the DB-25 connector. In either case, TCLK is always transmitted on pin 24 of the DB-25 connector.

**Bits 1-0: Reserved, always 0.**

**IMPORTANT**

Local Loopback and Remote Loopback cannot be enabled simultaneously. Bits 5 and 4 of the Communications Register should therefore not be set (logic 1) simultaneously.

## 12 Configuration Register

---

The Configuration Register is used to set the interrupt source and enable the interface between the SCC and the external FIFOs. The address of this register is Base+5. Table 10 details the bit definitions of the register.

Bit 7	Bit 6	Bit 5	Bit 4	Bit 3	Bit 2	Bit 1	Bit 0
1	0	INTS1	INTS0	0	FIFOEN	RXSRC	0

Table 10 --- Configuration Register - Read/Write

**Bit 7:** **External Data FIFOs Present --- Reserved, always 1.** This bit can be used as an indicator that external data FIFOs are present. Other MPA-series products that are not equipped with external data FIFOs, including MPAP-100 Revision A cards, will return 0 in this bit location.

**Bit 6:** **Reserved, always 0.**

**Bits 5-4:** **INTS1, INTS0 --- Interrupt Source and Enable Bits:** These two bits determine the source of the interrupt. The two sources are interrupt from the SCC (INTSCC), and interrupt on Test Mode (INTTM). Only one interrupt source can be active at a time. Below is the mapping for these bits. Note that FIFO-related interrupts will occur only when INTSCC is chosen.

INTS1	INTS0	Interrupt Source
0	0	Interrupts disabled
0	0	reserved
1	0	INTSCC
1	1	INTTM

**Bit 3:** **Reserved, always 0.**

**Bit 2:** **FIFOEN --- External data FIFO enable:** If this bit is set (logic 1), the external data FIFOs are enabled. If this bit is clear (logic 0), the external data FIFOs are disabled. (See page 31 for full details on FIFO use.)

**Bit 1:** **RXSRC --- Receive FIFO DMA Source:** This bit determines which SCC pins are used to control transmit and receive DMA transactions between the SCC and the external FIFOs (when enabled). The transmit data FIFO is always used with SCC channel A. The receive data FIFO may be used with SCC channel A by setting RXSRC to logic 0, or with SCC channel B by setting RXSRC to logic 1. (See page 29 for information on using channel B.)

	RXSRC = 0	RXSRC = 1
Receive DMA	W/REQA	W/REQB
Transmit DMA	DTR/REQA	W/REQA

**Bit 0:** **Reserved, always 0.**

## 13 Interrupt Status Register

---

The Interrupt Status Register is used to determine the cause of an interrupt generated by the MPAP-100. The address of this register is Base+8. Table 11 details the bit definitions of the register. **The interrupt source in the Configuration Register (see page 41) must be set to INTSCC for any of the statuses indicated by this register to occur.** This register can be ignored if the external FIFOs are not being used.

Bit 7	Bit 6	Bit 5	Bit 4	Bit 3	Bit 2	Bit 1	Bit 0
0	0	0	0	RX_PAT	RX_FIFO	TX_FIFO	SCC

Table 11 --- Interrupt Status Register - Read Only/Write Clear

**Bits 7-4:** Reserved, always 0.

**Bit 3:** **RX\_PAT --- Receive Pattern Interrupt:** The receive pattern interrupt occurs when the character set in the Receive Pattern Character Register is detected 'n' consecutive times in the received data stream, where 'n' is the value set in the Receive Pattern Count Register. This bit is set (logic 1) to indicate the interrupt. It remains set until cleared by writing a '1' to this bit.

**Bit 2:** **RX\_FIFO --- Receive FIFO Interrupt:** The receive FIFO interrupt occurs when the number of bytes held in the external receive FIFO rises above the half-full mark, or when a receive FIFO timeout occurs. This bit is set (logic 1) to indicate the interrupt. It remains set until cleared by writing a '1' to this bit.

**Bit 1:** **TX\_FIFO --- Transmit FIFO Interrupt:** The transmit FIFO interrupt occurs when the number of bytes held in the external transmit FIFO falls below the half-full mark. This bit is set (logic 1) to indicate the interrupt. It remains set until cleared by writing a '1' to this bit.

**Bit 0:** **SCC --- SCC Interrupt:** If this bit is set (logic 1), the SCC has generated an interrupt. Software should clear the interrupt condition by performing appropriate service on the SCC. This bit is not latched.







## 16 Receive Pattern Character Register

---

The Receive Pattern Character Register is used to set the character value to be used in receive pattern detection. The address of this register is Base+B (hex). This register can be ignored if the external FIFOs are not being used.

Bit 7	Bit 6	Bit 5	Bit 4	Bit 3	Bit 2	Bit 1	Bit 0
character value (0-255)							

Table 14 --- Receive Pattern Character Register - Read/Write

**Bits 7-0:**      **Receive Pattern Character:**      This is the numeric value of the character to be detected. See page 37 for details on the receive character pattern detection feature.

## 17 Receive Pattern Count Register

---

The Receive Pattern Count Register is used to set the counter value to be used in receive pattern detection. The address of this register is Base+C (hex). This register can be ignored if the external FIFOs are not being used.

Bit 7	Bit 6	Bit 5	Bit 4	Bit 3	Bit 2	Bit 1	Bit 0
counter value (0-255)							

Table 15 --- Receive Pattern Count Register - Read/Write

**Bits 7-0: Receive Pattern Count:**

This value is the number of times that the character stored in the Receive Pattern Character Register (see page 46) must be consecutively detected for the receive character pattern detect interrupt to be generated. See page 37 for details on the receive character pattern detection feature.

## 18 Receive FIFO Timeout Register

---

The Receive FIFO Timeout Register is used to control the operation of the external receive FIFO timeout feature. The address of this register is Base+D (hex). This register can be ignored if the external FIFOs are not being used. See page 38 for details on the receive FIFO timeout feature.

Bit 7	Bit 6	Bit 5	Bit 4	Bit 3	Bit 2	Bit 1	Bit 0
X16_MODE	0	timeout interval (0-63)					

Table 16 --- Receive FIFO Timeout Register - Read/Write

- Bit 7:**        **X16\_MODE --- Clock Mode:**  
If this bit is set (logic 1), the data clock is divided by 16 (prescaled) before it is fed to the timeout circuitry. This is useful for asynchronous operation. If this bit is clear (logic 0), the data clock is not prescaled.
- Bit 6:**        **Reserved, always 0.**
- Bits 5-0:**    **Timeout Interval:**  
This is the number of character-times that must elapse before a non-empty external receive FIFO will trigger a timeout condition. This interval assumes eight bits per character, so it will be an approximation for modes running at settings other than eight bits per character.

## 19 External Connections

The MPAP-100 is configured as a Data Terminal Equipment (DTE) device, meeting the RS-232-D standard using a DB-25 male connector. There is no DCE version available.

The control signals the DTE can generate are Request To Send (RTS) and Data Terminal Ready (DTR). It can receive the signals Carrier Detect (DCD), Clear to Send (CTS), and Data Set Ready (DSR). All the control signals are controlled through channel A of the SCC, with the exception of the DSR signal, which is received on the DCDB pin on channel B. (The SCC has no actual DSR inputs.)

The DTE can transmit its transmit clock (TCLK) from the TRxCA pin of the SCC, or receive TCLK on the same pin. The DTE can also receive its receive clock (RCLK) on the RTxC pins on channels A & B of the SCC, or can generate RCLK using the TRxCB pin. TCLK and RCLK can also be internally sourced from the channel A baud rate generator.

Figure 1 shows the DTE clock configuration. On the left are the SCC clock pins and the clock enable bits from the Communications Register. On the right are the signals at the DB-25 connector. Figure 2 illustrates the connector pinout.

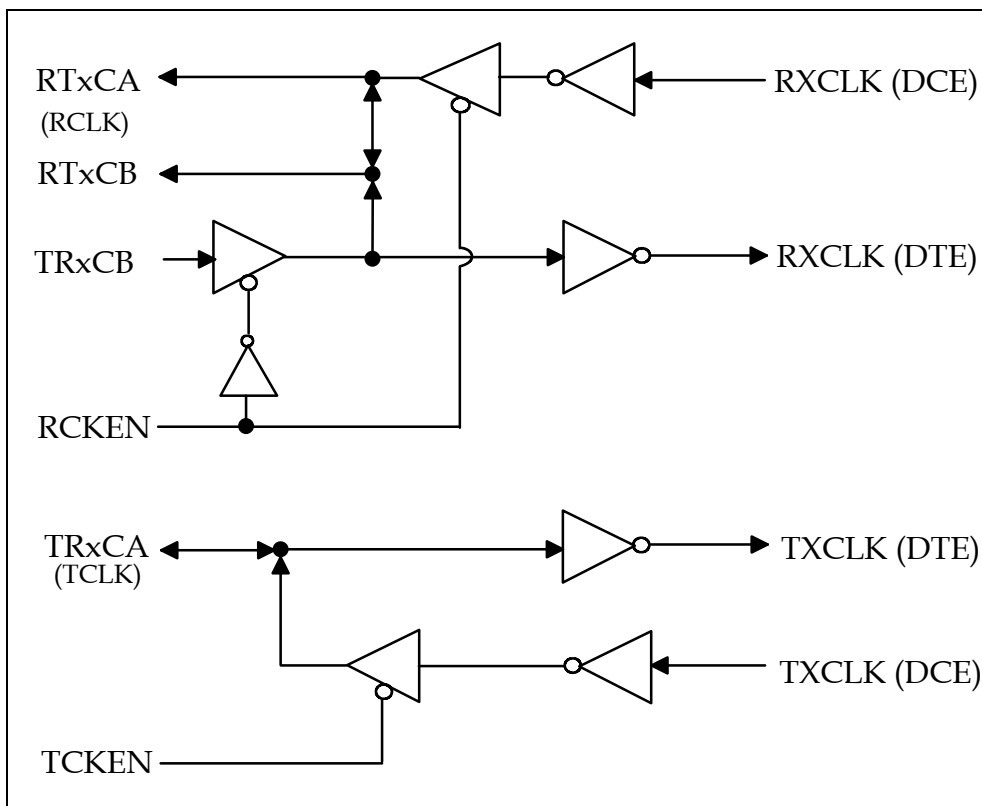


Figure 1 --- MPAP-100 Clock Configuration

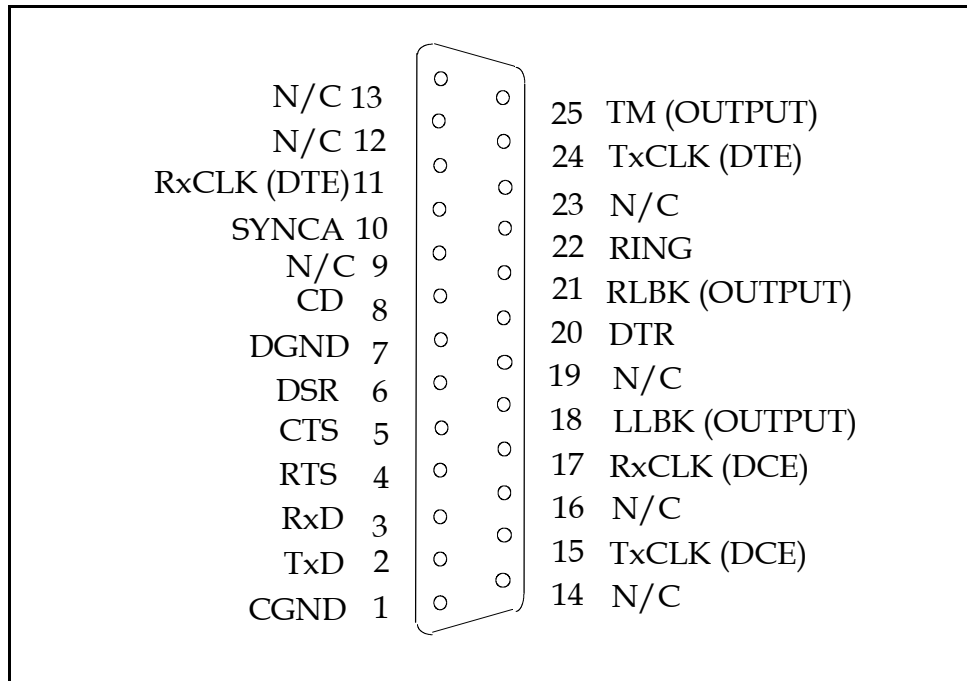


Figure 2 --- MPAP-100 Output Connector

The testing signals the DTE can generate are Local Loopback (LL) and Remote Loopback (RL). These signals are asserted with certain bits in the Communications Register. When a Test Mode (TM) condition is received from the DCE, an interrupt can optionally be generated.

### 19.1 SYNCA (pin 10)

If EXTSYNC (bit 6) in the Communications Register is set to a logic 1, the SYNCA signal from the connector is used to drive the active-low SYNC input of SCC channel A. The signal is inverted by the RS-232 receiver, so a positive voltage on pin 10 will assert SYNCA. The SCC must be specifically programmed to recognize external synchronization.

### 19.2 RING (pin 22)

If Card and Socket Services has set the SIGCHG bit in the PCMCIA Configuration Status Register to a logic 1, the RING signal is routed to the STSCHG line on the PCMCIA bus. The signal is inverted by the RS-232 receiver, so a positive voltage on pin 22 will assert STSCHG.

Table 17 shows the pin configuration of the MPAP-100 DTE connector. The definitions of the interchange circuits according to the RS-232-D standard can be found starting on page 52.

Pin	To DTE	From DTE	Signal	RS-232-D Circuit	SCC Pin or Register Bit
-----	--------	----------	--------	------------------	-------------------------

1			CGND		
2		X	TXD	BA	TxDA pin
3	X		RXD	BB	RxDA pin
4		X	RTS	CA	RTSA pin
5	X		CTS	CB	CTSA pin
6	X		DSR	CC	DCDB pin
7			DGND	AB	
8	X		CD	CF	DCDA pin
9			N/C		
10	X		SYNCA	*	SYNCA pin
11		X	RXCLK (DTE)	*	RTxCA or TRxCB pin
12			N/C		
13			N/C		
14			N/C		
15	X		TXCLK (DCE)	DB	TRxCA pin
16			N/C		
17	X		RXCLK (DCE)	DD	RTxCA pin
18		X	LLBK	LL	Comm. Reg. bit 5
19			N/C		
20		X	DTR	CD	DTR/REQA pin
21		X	RLBK	RL	Comm. Reg. bit 4
22	X		RING	CE	PCMCIA STSCHG signal
23			N/C		
24		X	TXCLK (DTE)	DA	TRxCA pin
25	X		TEST MODE	TM	Comm. Reg. bit 7
* Not included in the official RS-232-D specification					

Table 17 --- Connector Pin Definitions

### 19.3 Null-modem cables

The MPAP-100 does not use a standard asynchronous PC serial port connector pinout. Typical off-the-shelf null-modem cables cannot be used with this card!



## **20 DTE Interface Signals**

---

### **CIRCUIT AB - SIGNAL GROUND**

- CONNECTOR NOTATION: DGND
- DIRECTION: Not applicable

This conductor directly connects the DTE circuit ground to the DCE circuit ground.

### **CIRCUIT BA - TRANSMITTED DATA**

- CONNECTOR NOTATION: TXD
- DIRECTION: To DCE

This signal transfers the data generated by the DTE through the communication channel to one or more remote DCE data stations.

### **CIRCUIT BB - RECEIVED DATA**

- CONNECTOR NOTATION: RXD
- DIRECTION: From DCE

This signal transfers the data generated by the DCE, in response to data channel line signals received from a remote DTE data station, to the DTE.

### **CIRCUIT CA - REQUEST TO SEND**

- CONNECTOR NOTATION: RTS
- DIRECTION: To DCE

This signal controls the data channel transmit function of the local DCE and, on a half-duplex channel, the direction of the data transmission of the local DCE.

### **CIRCUIT CB - CLEAR TO SEND**

- CONNECTOR NOTATION: CTS
- DIRECTION: From DCE

This signal indicates to the DTE whether the DCE is conditioned to transmit data on the communication channel.

### **CIRCUIT CC - DCE READY (DATA SET READY)**

- CONNECTOR NOTATION: DSR
- DIRECTION: From DCE

This signal indicates the status of the local DCE by reporting to the DTE device that a communication channel has been established.

### **CIRCUIT CD - DTE READY (DATA TERMINAL READY)**

- CONNECTOR NOTATION: DTR
- DIRECTION: To DCE

This signal controls the switching of the DCE to the communication channel. The DTE will generate this signal to prepare the DCE to be connected to or removed from the communication channel.

### **CIRCUIT CE - RING INDICATOR**

- CONNECTOR NOTATION: RING
- DIRECTION: From DCE

This signal indicates that a ringing signal is being received on the communication channel.

### **CIRCUIT CF - RECEIVED LINE SIGNAL DETECT (CARRIER DETECT)**

- CONNECTOR NOTATION: CD
- DIRECTION: From DCE

This signal indicates to the DTE whether the DCE is conditioned to receive data from the communication channel, but does not indicate the relative quality of the data signals being received.

### **CIRCUIT DA - TRANSMIT SIGNAL ELEMENT TIMING (DTE SOURCE)**

- CONNECTOR NOTATION: TXCLK (DTE)
- DIRECTION: To DCE

This signal, generated by the DTE, provides the DCE with element timing information pertaining to the data transmitted by the DTE. The DCE can use this information for its received data.

### **CIRCUIT DB - TRANSMIT SIGNAL ELEMENT TIMING (DCE SOURCE)**

- CONNECTOR NOTATION: TXCLK (DCE)
- DIRECTION: From DCE

This signal, generated by the DCE, provides the DTE with element timing information pertaining to the data transmitted to the DCE. The DCE can use this information for its received data.

### **CIRCUIT DD - RECEIVER SIGNAL ELEMENT TIMING (DCE SOURCE)**

- CONNECTOR NOTATION: RXCLK (DCE)
- DIRECTION: From DCE

This signal, generated by the DCE, provides the DTE with element timing information pertaining to the data transmitted by the DCE. The DTE can use this information for its received data.

### **CIRCUIT LL - LOCAL LOOPBACK**

- CONNECTOR NOTATION: LLBK
- DIRECTION: To DCE

This signal provides a means whereby a DTE may check the functioning of the DTE/DCE interface and the transmit and receive sections of the local DCE.

### **CIRCUIT RL - REMOTE LOOPBACK**

- CONNECTOR NOTATION: RLBK
- DIRECTION: To DCE

This signal provides a means whereby a DTE or a facility test center may check the transmission path up to and through the remote DCE to the DTE interface and the similar return transmission path.

### **CIRCUIT TM - TEST MODE**

- CONNECTOR NOTATION: TEST MODE
- DIRECTION: From DCE

This signal indicates to the DTE that the DCE is in a test condition. The DCE generates this signal when it has received a local loopback or remote loopback signal from the DTE.

## 21 Specifications

---

Bus interface:	PCMCIA PC Card Standard 2.1
Physical Dimensions:	Type II (5 mm) PCMCIA card
Controller:	85230-compatible 16-MHz Serial Communications Controller (SCC)
DTE Interface:	Male D-25 connector
Transmit drivers:	RS-232 compatible, 600 kbps typical maximum data rate
Receive buffers:	RS-232 compatible, 600 kbps typical maximum data rate
I/O Address range:	Sixteen-byte contiguous range required, determined by PCMCIA system
Interrupt levels:	One IRQ required, determined by PCMCIA system
DMA channels:	Not supported by PCMCIA 2.1 bus
Power requirements:	115 mA at +5 volts, typical

## **22 Software Troubleshooting**

---

This appendix discusses how to resolve some common problems sometimes encountered when using the MPAP-100 configuration software.

### **22.1 DOS Client Driver**

#### **22.1.1 Generic "SuperClient" Drivers**

Many Card and Socket Services packages include a generic client driver (or SuperClient) which configures standard I/O devices such as serial ports or modems. If one of these generic client drivers is installed, it may try to configure the MPAP-100 causing the MPAP-100 client driver to fail installation. In these cases, the user should do one of the following:

1. Place the MPAP-100 client driver above the generic client driver in the CONFIG.SYS.
2. Configure the generic client driver to disable configuration of nonstandard I/O cards. Consult the Card and Socket Services documentation for availability and details of this feature.

#### **22.1.2 Lack of Available Resources**

One function of the Card and Socket Services software is to track which system resources (memory addresses, I/O addresses, IRQs, etc.) are available for assignment to inserted PCMCIA cards. Occasionally, Card Services may incorrectly determine that a particular resource is free when it is actually in use or vice-versa. Most DOS-based Card and Socket Services generate a resource table in a file (typically in the form of an .INI file) which the user can modify to adjust the available system resources.

#### **22.1.3 Multiple Configuration Attempts**

Some Card and Socket Services have a setting which aborts the configuration process after a single configuration failure (such as a request for an unavailable resource). The user should change this setting to allow for multiple configuration attempts.

#### **22.1.4 Older Versions of Card and Socket Services**

Often, older versions of Card and Socket Services (with copyright date of 1993 and before) don't work correctly with I/O cards such as the MPAP-100. An up-to-date version of Card and Socket Services should be obtained by contacting Quatech, Inc.

### **22.2 DOS Enabler**

### **22.2.1 With Card and Socket Services**

The enabler should NOT be used if any Card and Socket Services are present on the system. If Card and Socket Services is installed, the enabler may interfere with its operation and with the device(s) it controls. The client driver should be used to configure the MPAP-100 if Card and Socket Services are installed.

### **22.2.2 Socket Numbers**

The enabler requires the socket number to be specified on the command line. Some vendors number their sockets beginning with 1 while other vendors number their sockets beginning with 0. The enabler considers the first socket in the system to be socket 0.

### **22.2.3 Memory range exclusion**

The enabler requires a region of high DOS memory. This region is 1000h bytes (4 KB) long and by default begins at address D0000H (the address may be changed using the "W" parameter). If a memory manager such as EMM386, QEMM, or 386Max is installed on the system, this region of DOS memory must be excluded from the memory manager's control. Consult the documentation provided with the memory manager software for instructions on how to exclude this memory region.

Some systems use the high memory area for BIOS shadowing to improve overall system performance. In order for the enabler to operate, BIOS shadowing must be disabled in the address range specified for the configuration window. BIOS shadowing can usually be disabled through the system's CMOS setup utility.

## **22.3 OS/2 Client Driver**

### **22.3.1 Resources Not Available**

It is the user's responsibility to ensure the I/O address and IRQ resources are available. For OS/2 Warp users, the RMVIEW utility may be useful in finding resource conflicts. Type "rmview /?" at an OS/2 command prompt for details. On OS/2 Warp 4.0, the Hardware Manager object in the System Setup folder provides a graphical view of the same information.

### **22.3.2 Insufficient Number Of Command Line Arguments**

The MPAP-100 command line must contain at least one command line argument for each MPAP-100 to be installed.

### **22.3.3 Bad Parameters**

The base address or IRQ value may be out of range. Make sure that the base address is a hexadecimal number between 100 hex and 3F0 hex ending in 0. Make sure that the IRQ is a decimal number between 2 and 15.

MPAP-100 User's Manual  
Revision 2.22  
March 2004  
P/N 940-0090-222



## Free Manuals Download Website

<http://myh66.com>

<http://usermanuals.us>

<http://www.somanuals.com>

<http://www.4manuals.cc>

<http://www.manual-lib.com>

<http://www.404manual.com>

<http://www.luxmanual.com>

<http://aubethermostatmanual.com>

Golf course search by state

<http://golfingnear.com>

Email search by domain

<http://emailbydomain.com>

Auto manuals search

<http://auto.somanuals.com>

TV manuals search

<http://tv.somanuals.com>