



# 4200 SDSL Ethernet Bridge

**Cost-effective Ethernet over Copper solution to extend LANs over three copper pairs at 7 Mbps.**

## Main Features:

- Leverages existing copper infrastructure
- Comes with built-in redundancy for critical applications
- Supports higher bandwidth by "multilinking" up to three pairs of copper
- Offers independent links to different locations
- Supports Spanning Tree Protocol (STP)
- 2B1Q line coding
- Symmetric transmission (SDSL) from 480 Kbps to 7 Mbps
- 10/100 Ethernet port
- Transparent learning bridge
- Transparent to VLAN (802.1 Q) label tags
- Embedded SNMP agent
- RMON-2 performance monitoring enables visibility across the entire protocol stack for increased network reliability
- In-band management for plug-and-play installation and troubleshooting

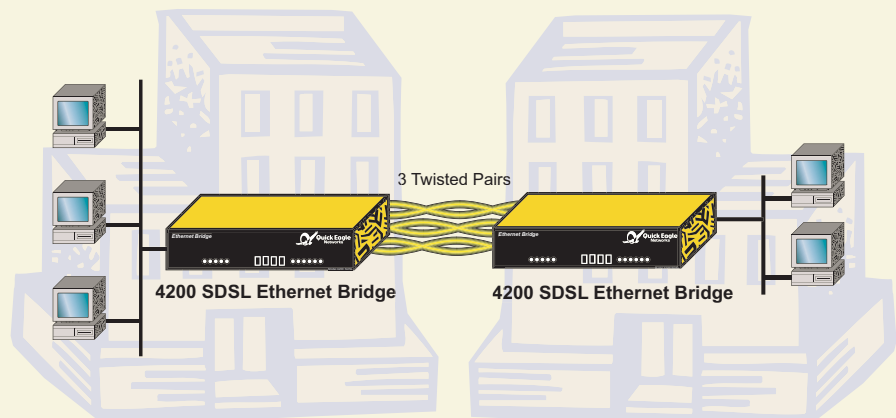
Quick Eagle's 4200 SDSL Ethernet Bridge™ offers you up to 7 Mbps symmetrical bandwidth on three pairs of copper loops for distances up to 11,000 feet (or 480 Kbps for up to 25,000 feet).

The 4200 SDSL Ethernet Bridge can be deployed in two main ways: You can configure the 4200 SDSL Ethernet Bridge to bond all three SDSL links in a single multilink bundle to leverage load balancing and link resiliency. Using frame-based multiplexing the unit load balances traffic across the links to triple your bandwidth. When a link is out of service, the unit carries traffic on the remaining active links. The unit also detects when a link is operational and adds it back automatically to the multilink bundle.

You can also configure the 4200 SDSL Ethernet Bridge to link the three copper pairs to different locations. For instance, transportation agencies can take advantage of the 4200 SDSL Ethernet Bridge's unique feature set to manage outdated traffic light systems, leveraging their existing copper infrastructure between different intersections and avoiding the cost of deploying Fiber to achieve Ethernet-based services such as video monitoring.

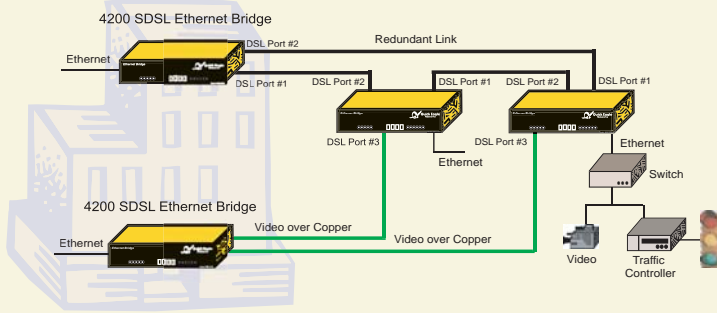
The 4200 SDSL Ethernet Bridge uses a learning MAC Bridge to transparently forward packets from one LAN to another over the SDSL links.

In addition, the 4200 SDSL Ethernet Bridge offers extensive remote management capabilities, including in-band management on its Ethernet data port or SDSL port for simultaneous SNMP, Telnet, Ping, and TFTP management access.



*Typical Application:* Linking LANs located in separate buildings in campus and multi-building environments

## Traffic Management Center



Typical Application: Linking to different locations

## Technical Specifications

### Network Interface

Media	Unshielded twisted pair (UTP CAT 3)
DSL Ports	3
Connector Type	RJ-11 socket
Line Rate	160 to 2320 Kbps for each port (480 Kbps to 7 Mbps aggregated)
Line Code	2B1Q
System Timing	Internal or network
Spectrum	0 to 784 KHz

### Data Interface

Ethernet	10/100 BaseT
Connector	RJ-45 socket

### Protocols

RFC1490	Multiprotocol encapsulation over Frame Relay
Frame Relay	End-to-end frame-based inverse multiplexing
VLAN Support	Transparent to VLAN (802.1Q) label tags

### Monitoring and Management

RMON-2	Application, top talker, and protocol performance monitoring
SNMP Agent	MIB II (RFC1213), Frame Relay MIB, QEN Enterprise MIB
In-band	In-band management through SDSL, or Ethernet
Telnet	Device configuration
Front Panel	Front panel LEDs

### Power Requirements

AC	100 VAC to 240 VAC, 50-60 Hz
DC	-40VDC to -72 VDC
Consumption	9 W maximum

### Regulatory

FCC Part 15, UL 1950 Third edition; Industry Canada CS-03, VCCI Class 1 CAN/CSA C 22.2 No. 950-95; European Harmonized Standards 74/23 EEC91.31/EED, 89/336/EED, 93/68/EEC, and 91/263/EEC; Commission Federal de Telecomunicaciones; CISPR 22 Level B (EN55022); IEC 60950, RoHS compliant

### Diagnostics

Loopback Tests	NET loopback
Network Alarms	SNR margin, NET carrier loss
Front Panel LEDs	Power/Test, 3 SDSL Links, Ethernet

### Physical

Dimensions	1 RU, rack mountable 22.3 cm (8.75 in) W x 4.13 cm (1.625 in) H x 31.44 cm (12.375 in) D
------------	---

### Weight

2.27 Kg (5 lbs)

### Range and Reach

Transmission Distances:

Line Rate (Kbps)	24 AWG (0.5 mm)	26 AWG (0.4 mm)
160	25,000 ft (7.6 Km)	18,600 ft (5.6 Km)
320	23,000 ft (7 Km)	15,500 ft (4.7 Km)
784	19,100 ft (5.8 Km)	13,300 ft (4 Km)
1040	18,000 ft (5.5 Km)	12,200 ft (3.7 Km)
1568	15,000 ft (4.5 Km)	10,800 ft (3.3 Km)
2048	11,000 ft (3.3 Km)	9,000 ft (2.7 km)
2320	10,800 ft (3.1 Km)	8,000 ft (2.4 Km)

Download from [Www.Somanuals.com](http://Www.Somanuals.com). All Manuals Search And Download.



Quick Eagle Networks

### Headquarters

Quick Eagle Networks (USA)  
830 Maude Avenue  
Mountain View, CA 94043  
+1 650-962-8282 Phone  
+1 650-962-7950 Fax

[info@quickeagle.com](mailto:info@quickeagle.com)

[www.quickeagle.com](http://www.quickeagle.com)

### Northern, Central & Eastern Europe

[info\\_uk@quickeagle.com](mailto:info_uk@quickeagle.com)

### Southern Europe, Middle East & Africa

[info\\_france@quickeagle.com](mailto:info_france@quickeagle.com)

### Asia / Pacific Rim

[info\\_apac@quickeagle.com](mailto:info_apac@quickeagle.com)

### Latin, Central & South America

[info\\_southamerica@quickeagle.com](mailto:info_southamerica@quickeagle.com)

### Canada

[info\\_ca@quickeagle.com](mailto:info_ca@quickeagle.com)

© 2007 Quick Eagle Networks. All rights reserved.

PDF/05/07

The information presented herein may change without notice and should be used for informational purposes only.

4200 SDSL Ethernet Bridge is a trademark of Quick Eagle Networks. All product and service names mentioned are trademarks of their respective owners.

## Free Manuals Download Website

<http://myh66.com>

<http://usermanuals.us>

<http://www.somanuals.com>

<http://www.4manuals.cc>

<http://www.manual-lib.com>

<http://www.404manual.com>

<http://www.luxmanual.com>

<http://aubethermostatmanual.com>

Golf course search by state

<http://golfingnear.com>

Email search by domain

<http://emailbydomain.com>

Auto manuals search

<http://auto.somanuals.com>

TV manuals search

<http://tv.somanuals.com>