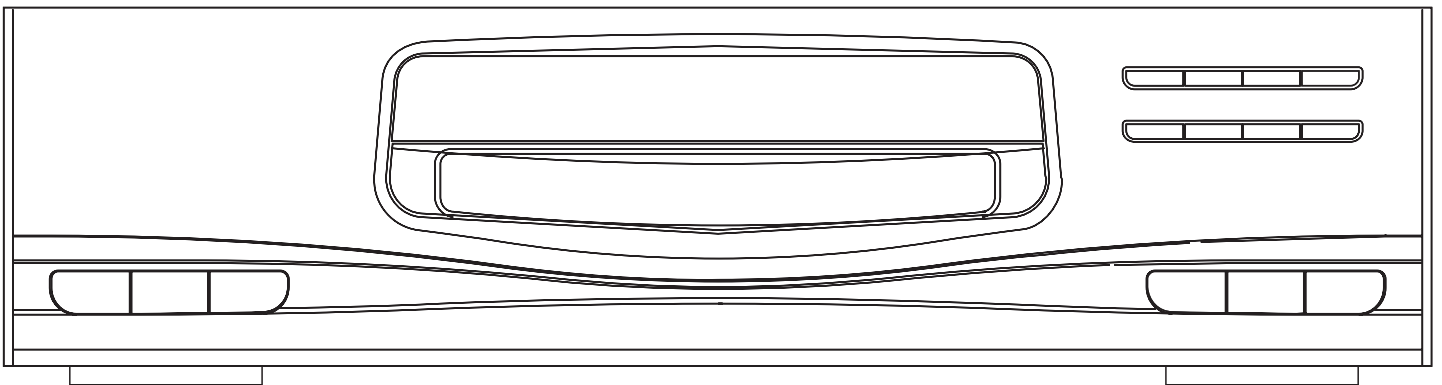




COMPACT DISC PLAYER

PT-668C

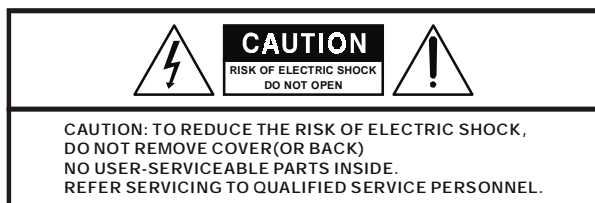


CE

Precautions

Thank you for purchasing this HI-FI product. Taking time to read these operating instructions carefully before use will acquaint you fully with all its features and help ensure optimum performance.

- In order to simplify the explanation illustrations may sometimes differ from the originals.



The lightning flash with arrowhead symbol, within an equilateral triangle, is intended to alert the user to the presence of uninsulated “dangerous voltage” within the product’s enclosure that may be of sufficient magnitude to constitute a risk of electric shock to persons.



The exclamation point within an equilateral triangle is intended to alert the user to the presence of important operating and maintenance (servicing) instructions in the literature accompanying the appliance.

WARNING: To prevent fire or shock hazard, do not expose this appliance to rain or moisture



Power plug

When disconnecting the power cord from the power outlet, always take hold of the plug, and not the wire, and pull free. Never connect or disconnect the power plug with wet hands since you may receive an electric shock.

Remember to disconnect the power plug from the power outlet when you do not intend to use the unit for a prolonged period of time.



Do not remove the case and bottom panel

Any inspections or adjustments inside the unit may lead to malfunctions and electric shocks. Do not touch any of the inside parts.



Ventilation warning

The normal ventilation of the product shall not be impeded for intended use.



Installation precautions

Do not install the unit in any of the following locations since this may result in deterioration in performance or malfunction:

- * Locations exposed to direct sunlight or near objects radiating heat such as heating appliances.
- * Locations exposed to moisture or humidity.
- * Locations with poor ventilation exposed to dust and dirt.
- * Locations which are unstable and not perfectly flat or which are susceptible to vibration.



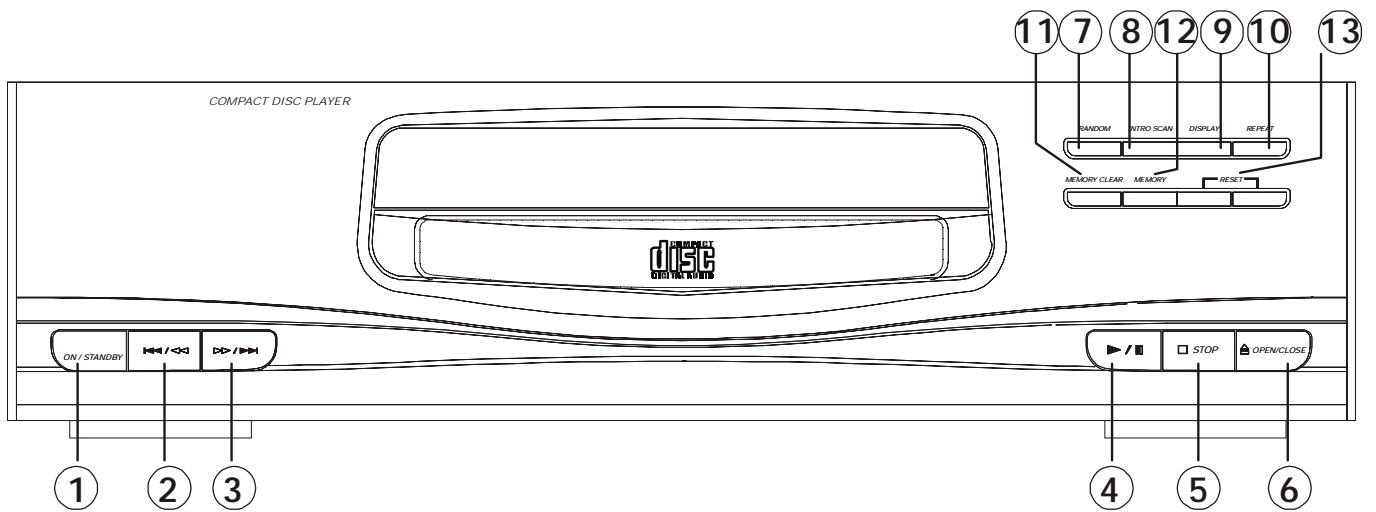
Do not wipe with thinners

Wipe the panels and case from time to time with a soft cloth. Using any kind of thinner, alcohol or volatile liquid will mar the surface, cause blotching on the exterior and erase the markings and should therefore be avoided. Do not use insecticide sprays in the vicinity.

Dripping warning

The product shall not be exposed to dripping or splashing and that no objects filled with liquids, such as vases, shall be placed on the product.

Panel Information



1. ON/STANDBY SWITCH

Press button to switch "ON" the unit. Press again to switch "OFF" unit into "STANDBY MODE".

2. Fast BWD ◀◀ / ◀◀

The player will skip backward when Fast BWD key is pressed. Continuously pressing this button makes the player scan through the tracks backward fast.

3. Fast FWD ▶▶ / ▶▶

The player will skip ahead to the next track each time the Fast FWD button is pressed. Continuously pressing this button makes the player scan through the tracks forward fast.

4. PLAY/PAUSE ▶ / ▢

Press PLAY/PAUSE button to play and press it once again if you wish it to pause. The relative signs will be shown on display. If in pause mode, press this key once again to resume the operation.

5. STOP ◻

Press STOP key to stop playing/fastFWD/fastBWD or any kinds of such operations.

6. OPEN/CLOSE ⏏

Press the OPEN/CLOSE button. The disc tray will slide out. When it has opened fully, place a compact disc carefully in the tray, and press it once to close.

7. RANDOM

The songs will be playback by random for whole disc without repeat if you press this key once. And you can stop it by press stop key.

8. INTRO

If you desire the introduction scanning, you can press INTRO button. Then each track will be scanned 10 seconds. An "INTRO" will be shown on the display. Press it once again can resume the operation, the relative light will gone off.

9. DISPLAY

Press DISPLAY button once, the display will show out the Track Remain Time. And press once more, Disc Remain Time will be shown on the Musical Calendar. Press once again can resume the operation.

10. REPEAT

Press REPEAT button once, the display will show out REPEAT 1, then the track which is in play mode or ready mode will repeat until you switch off the CD player or press STOP. Press REPEAT button once more, Repeat ALL will be shown on the display, all track will be repeated until you switch off the CD player or press STOP button.

11. MEMORY CLEAR

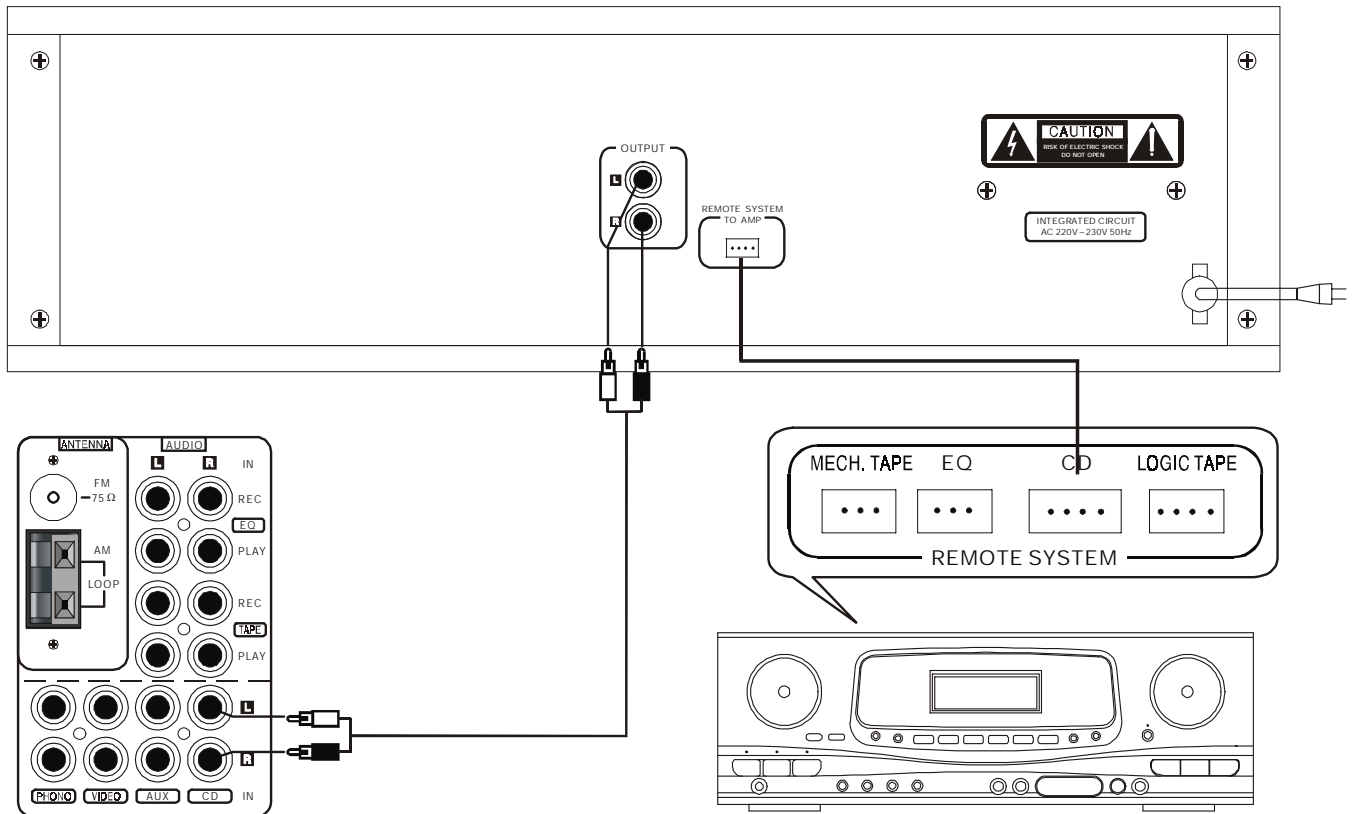
12. MEMORY

Press the MEMORY button at first, the MEMORY and the corresponding track will be flashed. Then press the FastFWD or FastBWD to reach your desired track and press MEMORY button once more to store the first track. If wishing to store the second track, press the FastFWD or FastBWD to the second desired track and press Memory button to store the second track.

Repeat the same procedure to similar settings. Continue to enter track numbers until all the pre-decided tracks are stored for playback. Press the STOP upon finishing programming. Press PLAY button once, the different tracks that have been stored will be played according to the memories stored. If you wish to clear all the memories, please press the OPEN/CLOSE switch once.

13. RESET

Operating Procedures



Operating Procedure

- Switch on the Amplifier.
 - Select “CD” from function selection column at the Amplifier, relative light will be seen when selected.
 - Turn on the CD player by press the POWER Switch (1).
 - Press the OPEN/CLOSE button. The disc tray will slide out. When it has opened fully, place a compact disc carefully in the tray.
- **Note****
- a). Always place the compact disc in the disc tray with the label facing upward.
 - b). The CD tray accepts two different sizes of disc: 120mm & 80mm.
- To close the disc tray, press the OPEN/CLOSE button again. When the tray is securely closed the disc will start turning automatically and the total number of selections and the total disc time will be counted. A few seconds later the Play indicator will light, and the TRACK NO. and TIME counter will show “10:00”.
 - Press the PLAY/PAUSE button. Playback will start, the PLAY indicator “▶” will go on.
 - When playback of the last track is finished, the CD player head will return to the beginning of the first track, and the TRACK NO and TIME counters will show “00:00”.

Specifications

Output voltage.....	2 Vrms (0dB)
Freq. Response.....	20 to 20 KHz +3dB- -3dB
S/N ration (FLAT).....	75 dB (1KHz)
Channel Separation.....	58 dB (1KHz)
Channel balance.....	0.5 dB (1KHz)
Distortion.....	(-10dB) 0.08% (1KHz)
Power consumption.....	8W
Dimensions.....	W: 430mm H: 116mm L: 267mm
Weight.....	3 kg (NW) 3.5kg (GW)

Design and specifications are subject to change without notice.

Free Manuals Download Website

<http://myh66.com>

<http://usermanuals.us>

<http://www.somanuals.com>

<http://www.4manuals.cc>

<http://www.manual-lib.com>

<http://www.404manual.com>

<http://www.luxmanual.com>

<http://aubethermostatmanual.com>

Golf course search by state

<http://golfingnear.com>

Email search by domain

<http://emailbydomain.com>

Auto manuals search

<http://auto.somanuals.com>

TV manuals search

<http://tv.somanuals.com>