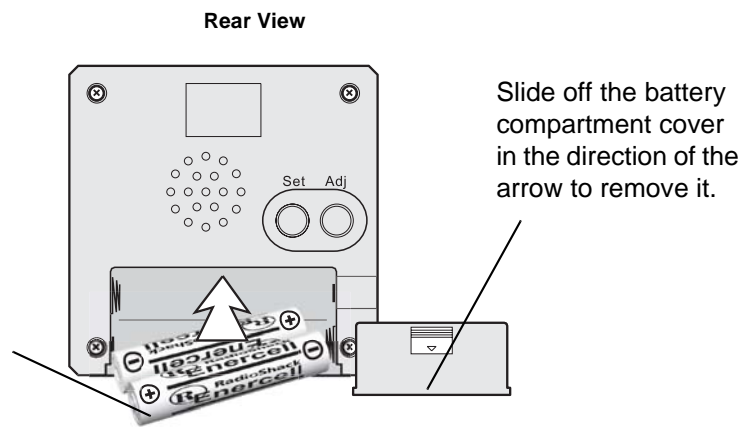


SETUP

INSTALLING BATTERIES

Your clock requires two AAA batteries (not supplied) for power.

Insert two AAA batteries into the compartment as indicated by the polarity symbols (+ and -) marked inside. Then replace the cover.



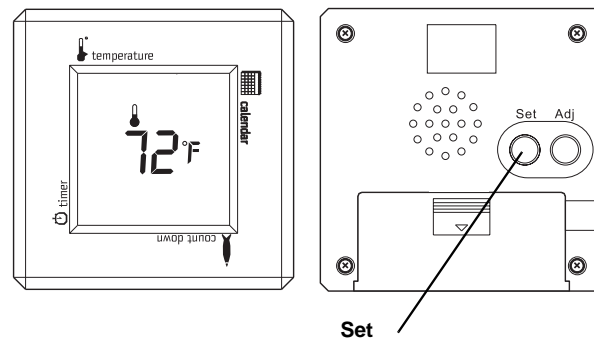
Slide off the battery compartment cover in the direction of the arrow to remove it.

CAUTION

- Use only fresh batteries of the required size and recommended type.
- Do not mix old and new batteries, different types of batteries (standard, alkaline, or rechargeable), or rechargeable batteries of different capacities.
- If you do not plan to use the clock for a month or more, remove the batteries. Batteries can leak chemicals that can destroy electronic parts.

TURNING THE SOUND ON OR OFF

Rotate the clock so **temperature** is on top of the clock, then press **Set** on the back of the clock to turn the sound on or off. The clock beeps when you turn on the sound.



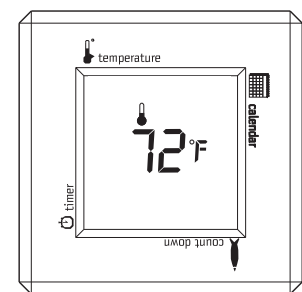
CAUTION

- Do not place the clock in direct sunlight.
- Do not place the clock near electrical appliances or heating or air conditioning vents and radiators.
- Do not place the clock in water or in a location where it is likely to get wet.

OPERATION

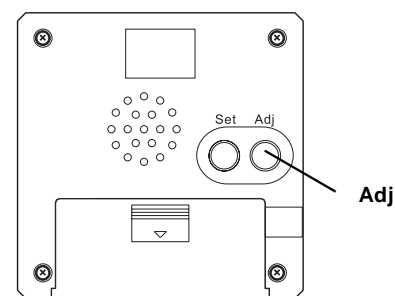
Remove the protective film from the display before using the clock.

USING THE THERMOMETER



Rotate the clock so **temperature** is on top of the clock. The current temperature appears and the clock announces the temperature.

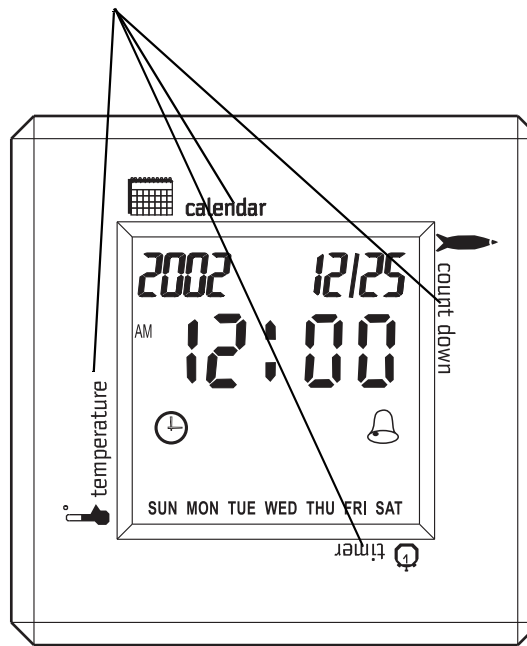
CHANGING THE DEGREE FORMAT



You can view the temperature in either Fahrenheit (F) or Celsius (C) format. To change the degree format, rotate the clock so **temperature** is on top of the clock. Then press **Adj** on the back of the clock. C (Celsius) or F (Fahrenheit) appears.

CONTROLS & FEATURES

Rotating Display — Lets you select the function you want (calendar, countdown timer, count-up timer, or temperature) by simply rotating the clock.



Temperature Display Selection — You can easily set the clock so it displays temperature in Fahrenheit (F) or Celsius (C).

Limited One-Year Warranty

This product is warranted by RadioShack against manufacturing defects in material and workmanship under normal use for one (1) year from the date of purchase from RadioShack company-owned stores and authorized RadioShack franchisees and dealers. EXCEPT AS PROVIDED HEREIN, RadioShack MAKES NO EXPRESS WARRANTIES AND ANY IMPLIED WARRANTIES, INCLUDING THOSE OF MERCHANTABILITY AND FITNESS FOR A PARTICULAR PURPOSE, ARE LIMITED IN DURATION TO THE DURATION OF THE WRITTEN LIMITED WARRANTIES CONTAINED HEREIN. EXCEPT AS PROVIDED HEREIN, RadioShack SHALL HAVE NO LIABILITY OR RESPONSIBILITY TO CUSTOMER OR ANY OTHER PERSON OR ENTITY WITH RESPECT TO ANY LIABILITY, LOSS OR DAMAGE CAUSED DIRECTLY OR INDIRECTLY BY USE OR PERFORMANCE OF THE PRODUCT OR ARISING OUT OF ANY BREACH OF THIS WARRANTY, INCLUDING, BUT NOT LIMITED TO, ANY DAMAGES RESULTING FROM INCONVENIENCE, LOSS OF TIME, DATA, PROPERTY, REVENUE, OR PROFIT OR ANY INDIRECT, SPECIAL, INCIDENTAL, OR CONSEQUENTIAL DAMAGES, EVEN IF RadioShack HAS BEEN ADVISED OF THE POSSIBILITY OF SUCH DAMAGES.

Some states do not allow limitations on how long an implied warranty lasts or the exclusion or limitation of incidental or consequential damages, so the above limitations or exclusions may not apply to you. In the event of a product defect during the warranty period, take the product and the RadioShack sales receipt as proof of purchase date to any RadioShack store. RadioShack will, at its option, unless otherwise provided by law: (a) correct the defect by product repair without charge for parts and labor; (b) replace the product with one of the same or similar design; or (c) refund the purchase price. All replaced parts and products, and products on which a refund is made, become the property of RadioShack. New or reconditioned parts and products may be used in the performance of warranty service. Repaired or replaced parts and products are warranted for the remainder of the original warranty period. You will be charged for repair or replacement of the product made after the expiration of the warranty period.

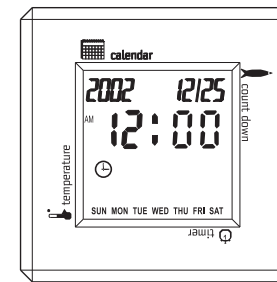
This warranty does not cover: (a) damage or failure caused by or attributable to acts of God, abuse, accident, misuse, improper or abnormal usage, failure to follow instructions, improper installation or maintenance, alteration, lightning or other incidence of excess voltage or current; (b) any repairs other than those provided by a RadioShack Authorized Service Facility; (c) consumables such as fuses or batteries; (d) cosmetic damage; (e) transportation, shipping or insurance costs; or (f) costs of product removal, installation, set-up service adjustment or reinstallation.

This warranty gives you specific legal rights, and you may also have other rights which vary from state to state.

RadioShack Customer Relations, 200 Taylor Street, 6th Floor, Fort Worth, TX 76102

SETTING THE DATE AND TIME

Rotate the clock so **calendar** is on top of the clock. The clock announces the current time. Then repeatedly press **Set** until the adjustment you want to make (hour, minute, year, month, date, alarm hour, or alarm minute) flashes.



Repeatedly press or hold down **Adj** to change the flashing digits to the desired setting. Then press **Set** to set it.

NOTE

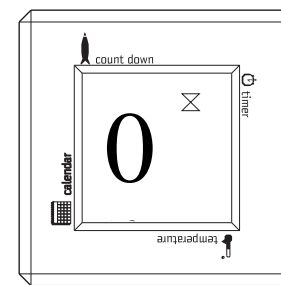
- You can set the year from 2000 to 2099.
- To silence the alarm, simply press **Adj** or rotate the clock to another function.

Repeatedly press **Set** after you set the alarm minute to return to time mode. The current date and time appear and the day of the week flashes.

Press **Adj** to turn the alarm on or off.

To change the time display format, press **Set** while holding down **Adj**.

USING THE TIMERS

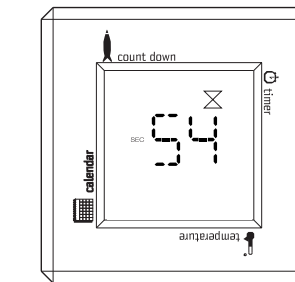


To set the clock so it counts down from a time you set, rotate the clock so **count down** is on top of the clock. Then press **Set**. 00 flashes, **MIN** appears, and the clock says "Setting Mode." You can repeatedly press **Set** to select the countdown mode you want (minutes or seconds).

In any mode, press **Adj** to set the digits then press **Set** to exit setting mode. The clock counts down starting at the time you set.

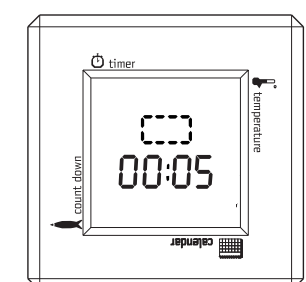
NOTE

- You can set the countdown up to 99 minutes and 59 seconds.
- When the countdown time you set reaches 0, the time stops at 0 and the clock sounds an alarm for about 1 minute. To silence the alarm, press **Set** or rotate the clock to another function.
- To stop the countdown, press **Adj**. To restart the countdown, press **Adj** again. To reset the countdown, press **Set**.
- If the countdown is within 1 minute, the clock announces each second as it passes.



Repeatedly press **Adj** to change the number of minutes to the desired setting. Then press **Set** to set it. **SEC** appears.

Repeatedly press **Adj** to change the number of seconds to the desired setting. Then press **Set** to set it. The timer counts down, starting from the time you have set.



To set the clock so it counts up, rotate the clock so timer is on top of the clock. The clock counts up and announces the number of seconds and minutes that have passed.

NOTE

- The timer can time up to 99 minutes and 59 seconds. When the timer reaches 99 minutes and 59 seconds, it automatically starts counting up.
- To stop the timer, press **Adj**. To restart the timer, press **Adj** again. To reset the timer, press **Set**.
- If the timer is within 1 minute, the clock announces each second as it passes. If the timer exceeds 1 minute, the clock announces each minute as it passes.

SPECIFICATIONS

Power 3V with 2 AAA batteries (not supplied)
Display Size 1.5 x 1.5 inches (38.1 mm)
Dimensions (HWD) 2.75 x 2.75 x 0.94 in. (6.98 x 6.98 x 2.39 cm)
Temperature Range 32° - 122°F (0 - 50°C)

Specifications are typical; individual units might vary.
Specifications are subject to change and improvement without notice.

LOW BATTERY INDICATION

If the batteries are weak, the display dims and the clock's sound becomes weak.

CARE

Keep the clock dry; if it gets wet, wipe it dry immediately. Use and store the clock only in normal temperature environments. Handle the clock carefully; do not drop it. Keep the clock away from dust and dirt, and wipe it with a damp cloth occasionally to keep it looking new.

Free Manuals Download Website

<http://myh66.com>

<http://usermanuals.us>

<http://www.somanuals.com>

<http://www.4manuals.cc>

<http://www.manual-lib.com>

<http://www.404manual.com>

<http://www.luxmanual.com>

<http://aubethermostatmanual.com>

Golf course search by state

<http://golfingnear.com>

Email search by domain

<http://emailbydomain.com>

Auto manuals search

<http://auto.somanuals.com>

TV manuals search

<http://tv.somanuals.com>